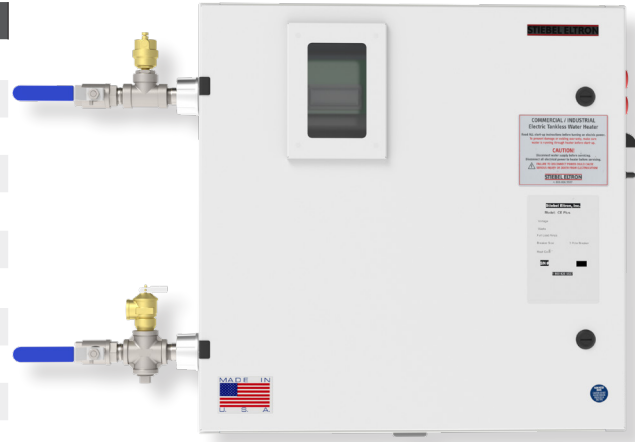


CE Plus Series: 12 kW, 15 kW, 18 kW | NEMA 4/4X

Specifications

Model	CE Plus 12 kW, CE Plus 15 kW, CE Plus 18 kW
Phase	3-phase
Inlet/outlet pipe connection	3/4" female NPT
Heat exchanger material	316L stainless steel
Enclosure rating	NEMA 4 shown, NEMA 4X available
Operating pressure range	4-145 psi (0.28-10 bar)
Maximum temperature output	180 °F (82 °C)
Temperature adjustment range	60-180 °F (16-82 °C)
Temperature adjustment increment	1 °F (1 °C)
Number of heating elements*	3
Minimum activation flow	0.75 gpm (2.8 l/m)
Maximum flow at 60 psi	10.6 gpm (40 l/m)



*CEPLUS-018-480D is a 6-element Delta heater.

Model	Part Number	Voltage	Phase	kW	Amps	3P Breaker Size (A)	Temperature Rise °F				
							1 gpm	2 gpm	3 gpm	4 gpm	5 gpm
CE Plus 12 kW	CEPLUS-012-208	208	3-phase delta	11.27	31.27	35	77	39	26	19	15
	CEPLUS-012-240	240	3-phase delta	12.50	30.07	35	85	43	29	21	17
	CEPLUS-012-480Y	480	3-phase wye	13.50	16.24	20	92	46	31	23	18
CE Plus 15 kW	CEPLUS-015-208	208	3-phase delta	15.77	43.78	50	>100	54	36	27	22
	CEPLUS-015-240	240	3-phase delta	15.00	36.08	40	>100	51	34	26	21
	CEPLUS-015-480Y	480	3-phase wye	16.65	20.03	25	>100	57	38	28	23
CE Plus 18 kW	CEPLUS-018-208	208	3-phase delta	18.00	49.96	60	>100	61	41	31	25
	CEPLUS-018-240	240	3-phase delta	18.00	43.30	50	>100	61	41	31	25
	CEPLUS-018-480Y	480	3-phase wye	18.00	21.65	25	>100	61	41	31	25
	CEPLUS-018-480D	480	3-phase delta	18.00	21.65	25	>100	61	41	31	25



Intertek

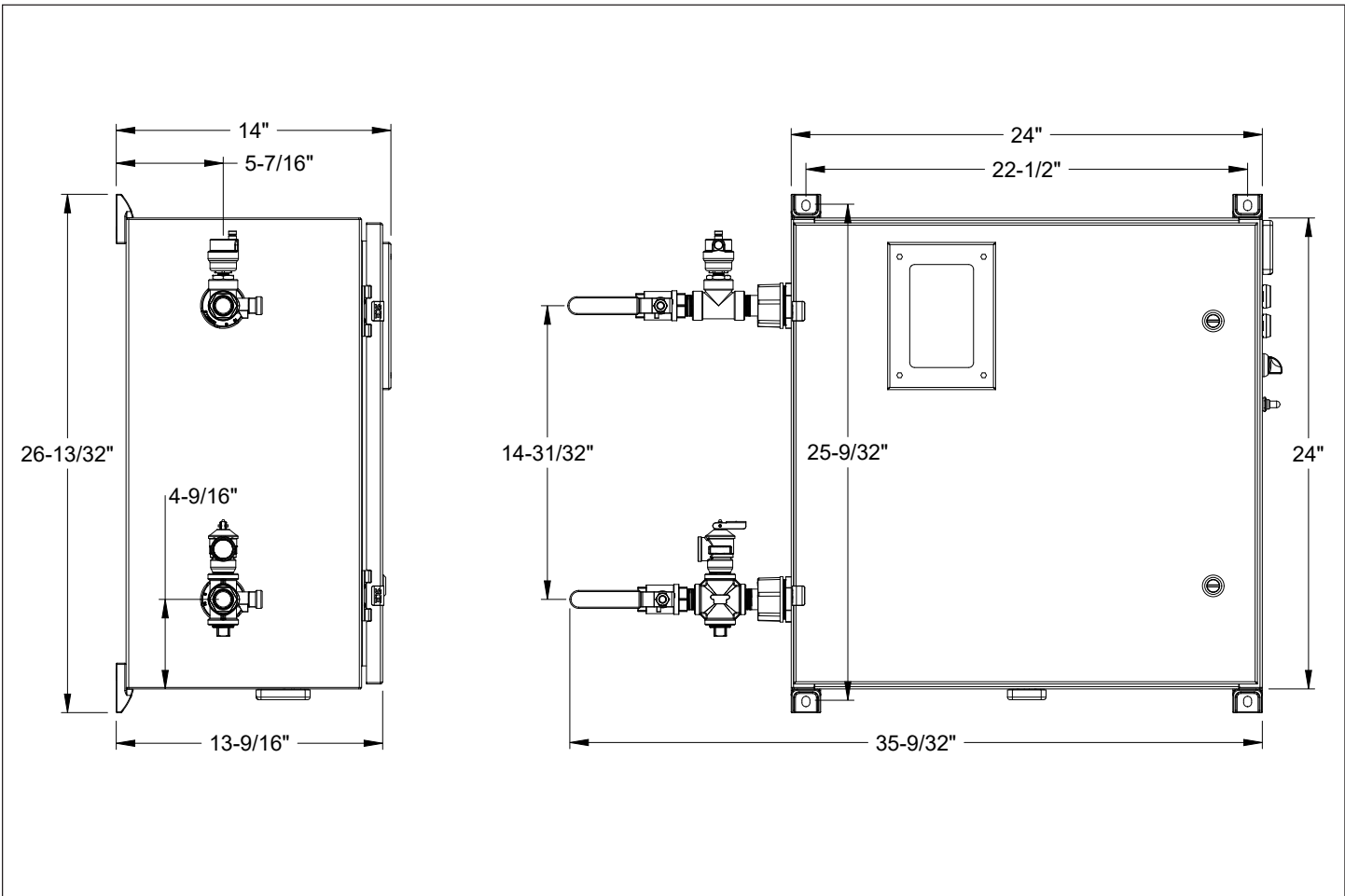
Certified to ANSI/UL Std. 499
Conforms to CAN/CSA
Std. C22.2 No.88



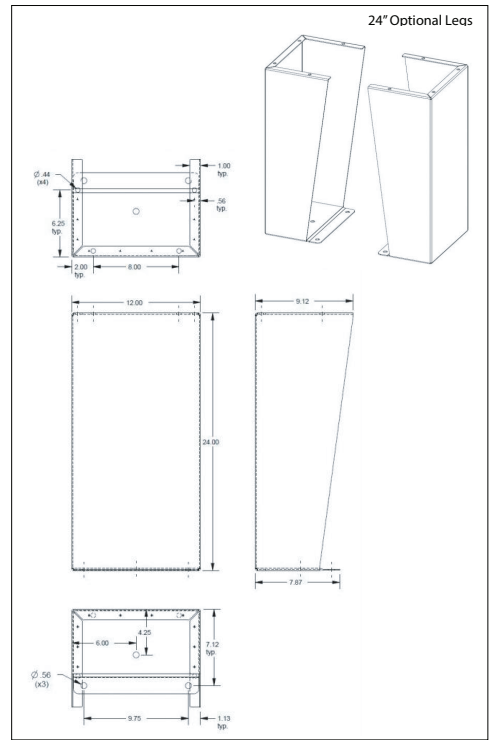
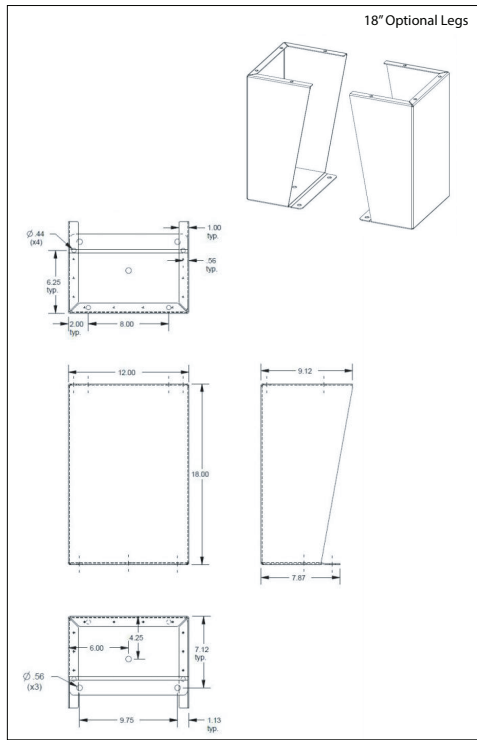
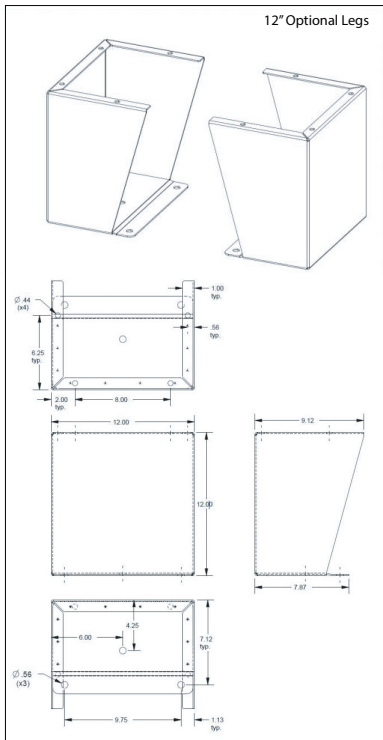
6 years against leakage /
2 years against defects in
workmanship & materials

rev. 4.2024 Due to our continuous process of engineering and technological advancement, specifications may change without notice.

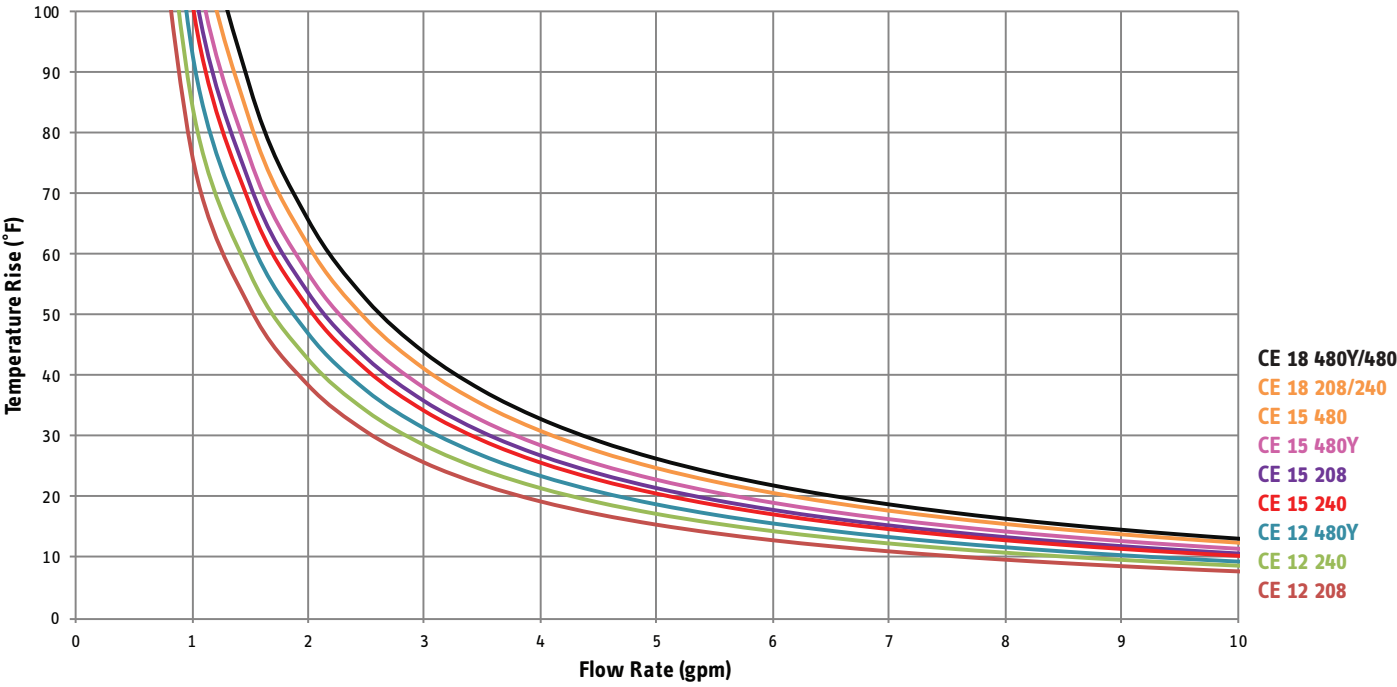
Dimensions



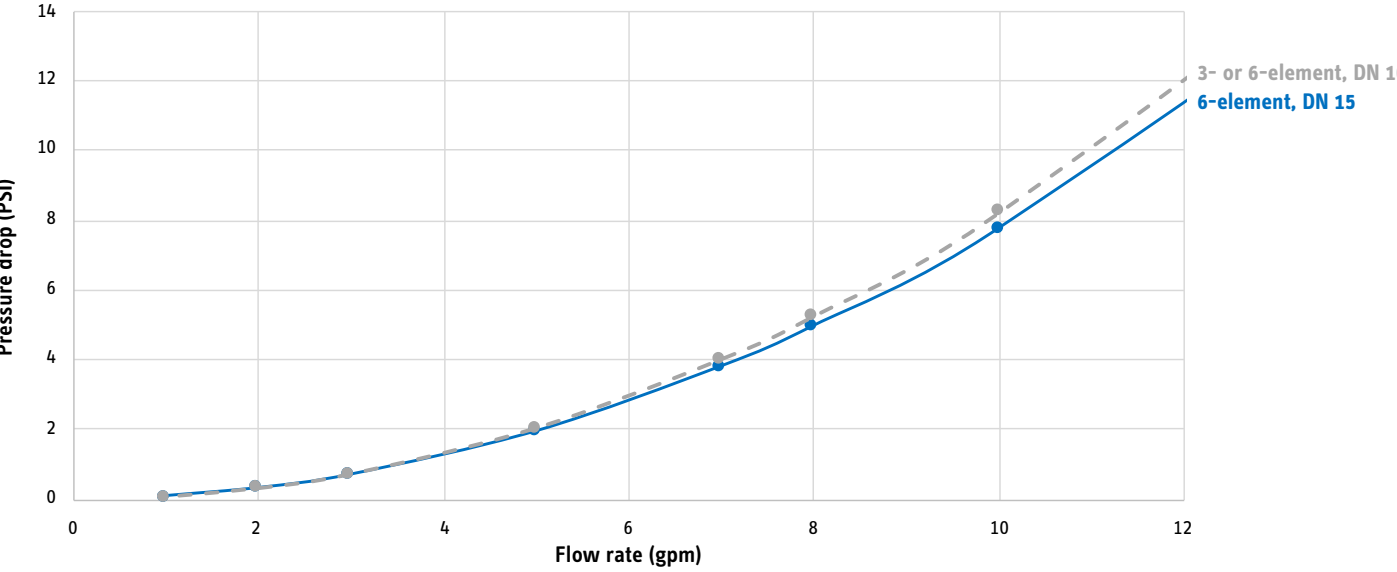
Dimensions for optional legs



Temperature Rise vs. Flow Rate



Pressure Drop vs. Flow Rate



rev. 4.2024 Due to our continuous process of engineering and technological advancement, specifications may change without notice.