

CERO Plus Series: 81 kW, 90 kW, 108 kW | NEMA 3/4/4X

Specifications

Model	CERO Plus 81 kW, CERO Plus 90 kW, CERO Plus 108 kW
Phase	3-phase
Inlet/outlet pipe connection	1" female NPT
Heat exchanger material	316L stainless steel
Enclosure rating	NEMA 3 standard, NEMA 4/4X available
Operating pressure range	4-150 psi (0.27-10.3 bar)
Maximum temperature output	180 °F (82 °C)
Temperature adjustment range	60-180 °F (16-85 °C)
Temperature adjustment increment	1 °F (1 °C)
Number of heating elements	18
Minimum activation flow	3.75 gpm (14.2 l/m)
Maximum flow at 60 psi	40 gpm (151.4 l/m)



Model	Part Number	Voltage	Phase	kW	Amps	3P Breaker Size (A)	Temperature Rise °F				
							5 gpm	10 gpm	15 gpm	20 gpm	40 gpm
CERO Plus 81 kW	CEROPLUS-81-480	480	3-phase delta	81.07	97.52	110	>100	55	37	28	14
CERO Plus 90 kW	CEROPLUS-090-480	480	3-phase delta	90.00	108.25	125	>100	62	31	21	15
CERO Plus 108 kW	CEROPLUS-108-480	480	3-phase delta	108.00	129.90	150	>100	74	49	37	18
	CEROPLUS-108-575	575	3-phase delta	108.00	108.44	125	>100	74	49	37	18



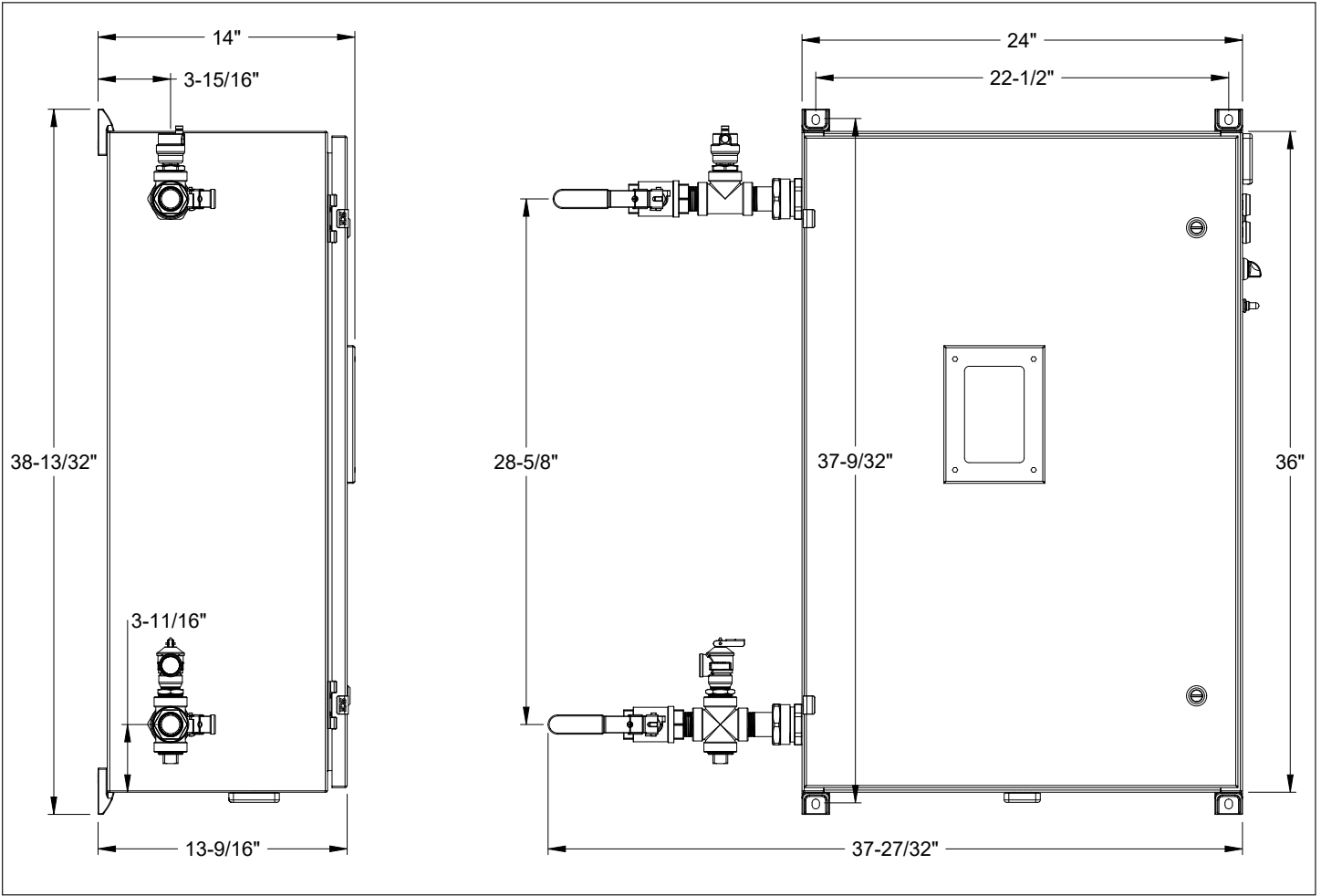
Certified to ANSI/UL Std. 499
Conforms to CAN/CSA
Std. C22.2 No.88



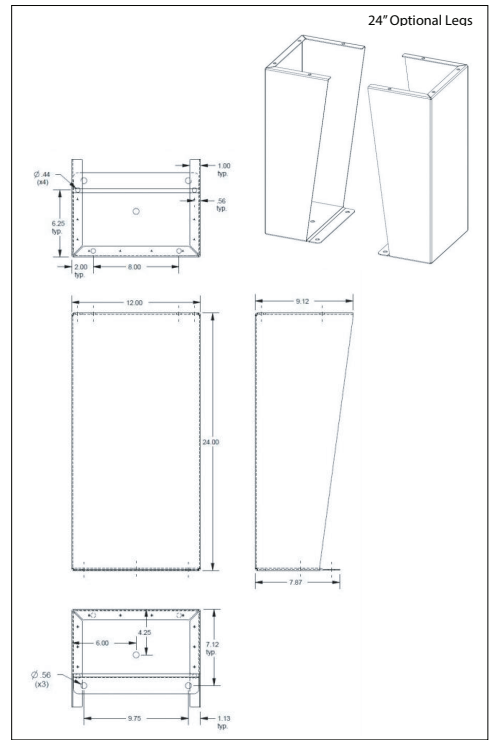
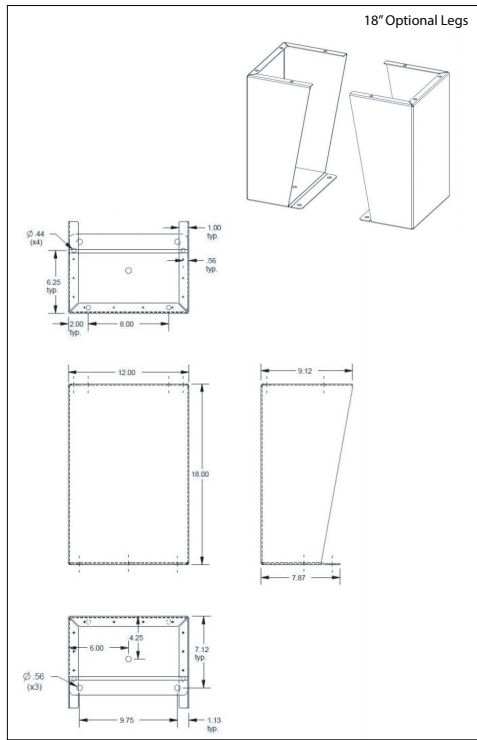
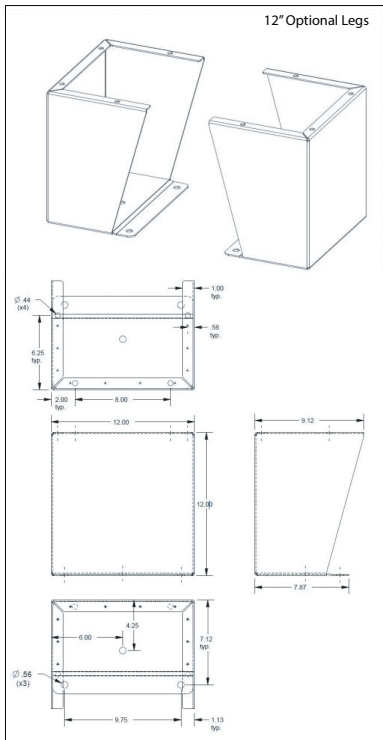
6 years against leakage /
2 years against defects in
workmanship & materials

rev. 4.2024 Due to our continuous process of engineering and technological advancement, specifications may change without notice.

Dimensions

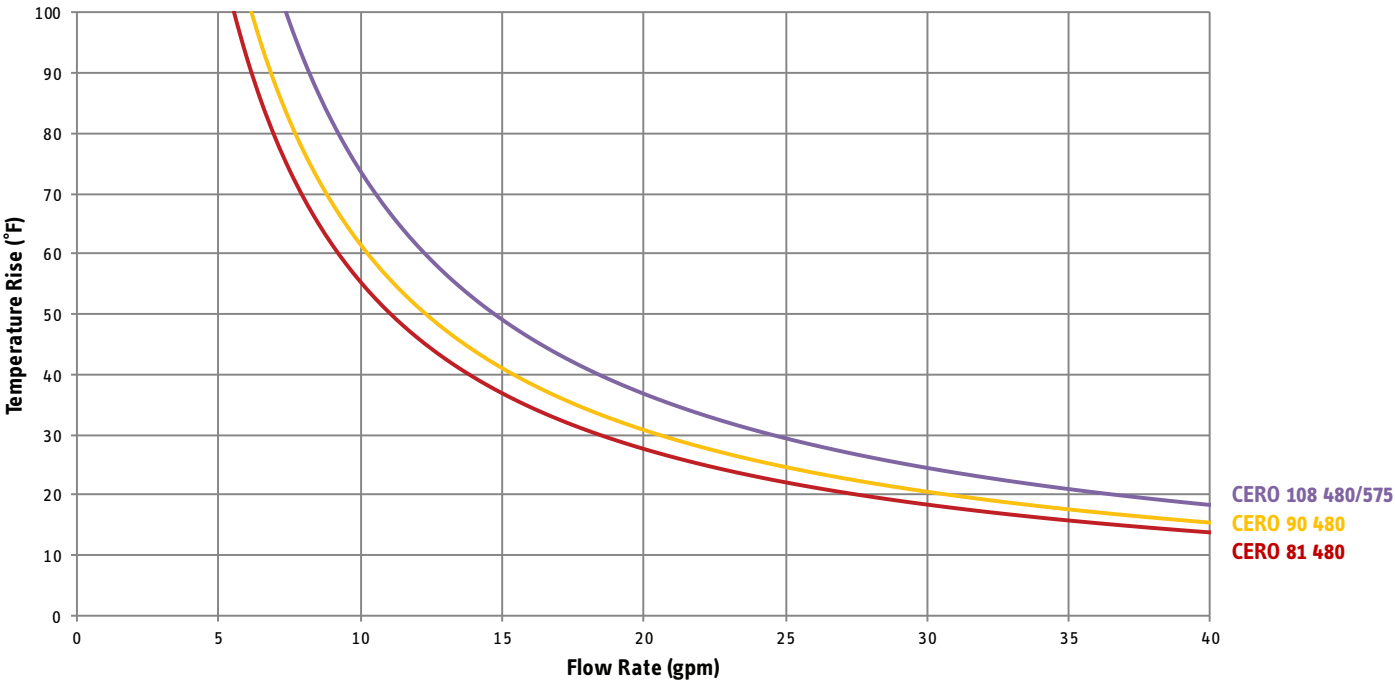


Dimensions for optional legs for NEMA 4 & 4X enclosures

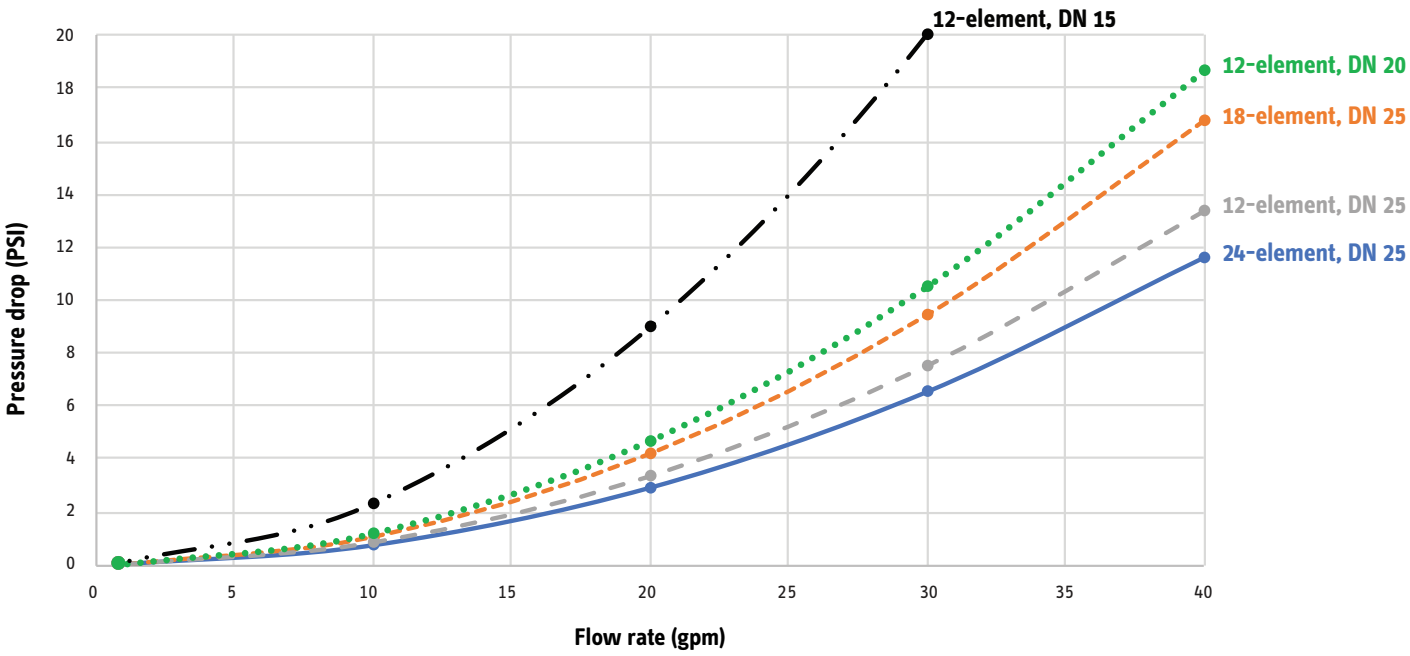


rev. 4-2024 | Due to our continuous process of engineering and technological advancement, specifications may change without notice.

Temperature Rise vs. Flow Rate



Pressure Drop vs. Flow Rate



rev. 4.2024 Due to our continuous process of engineering and technological advancement, specifications may change without notice.