

CES Plus Series: 48 kW, 54 kW, 60 kW, 72 kW | NEMA 4/4X

Specifications

Model	CES Plus 48 kW, CES Plus 54 kW, CES Plus 60 kW, CES Plus 72 kW
Phase	3-phase
Inlet/outlet pipe connection	1" female NPT
Heat exchanger material	316L stainless steel
Enclosure rating	NEMA 4 shown, NEMA 4X available
Operating pressure range	4-145 psi (0.28-10 bar)
Maximum temperature output	90 °F (32 °C)
Temperature adjustment range	60-90 °F (16-32 °C)
Temperature adjustment increment	1 °F (1 °C)
Number of heating elements	12
Minimum activation flow	3.75 gpm (14.2 l/m), DN 25 flowmeter
Maximum flow at 60 psi	40 gpm (151.4 l/m)



Model	Part Number	Voltage	Phase	kW	Amps	3P Breaker Size (A)	Temperature Rise °F				
							3 gpm	4 gpm	5 gpm	10 gpm	20 gpm
CES Plus 48 kW	CESPLUS-048-208	208	3-phase delta	45.07	125.09	150	>100	77	62	31	15
	CESPLUS-048-240	240	3-phase delta	50.00	120.28	150	>100	85	68	34	17
	CESPLUS-048-480	480	3-phase delta	50.00	60.14	70	>100	85	68	34	17
	CESPLUS-048-575	575	3-phase delta	47.99	48.19	60	>100	82	66	33	16
CES Plus 54 kW	CESPLUS-054-208	208	3-phase delta	54.08	150.11	175	>100	92	74	37	18
	CESPLUS-054-240	240	3-phase delta	54.05	130.02	150	>100	92	74	37	18
	CESPLUS-054-480	480	3-phase delta	54.05	65.01	80	>100	92	74	37	18
CES Plus 60 kW	CESPLUS-060-208	208	3-phase delta	63.09	175.13	200	>100	>100	86	43	22
	CESPLUS-060-240	240	3-phase delta	60.00	144.34	175	>100	>100	82	41	21
	CESPLUS-060-480	480	3-phase delta	60.00	72.17	80	>100	>100	82	41	21
CES Plus 72 kW	CESPLUS-072-208D	208	3-phase delta	72.00	199.85	225	>100	>100	98	49	25
	CESPLUS-072-240D	240	3-phase delta	72.00	173.21	200	>100	>100	98	49	25
	CESPLUS-072-480D	480	3-phase delta	72.00	86.60	100	>100	>100	98	49	25
	CESPLUS-072-575D	575	3-phase delta	72.00	72.29	80	>100	>100	98	49	25



Certified to ANSI/UL Std. 499
Conforms to CAN/CSA Std. C22.2 No.88

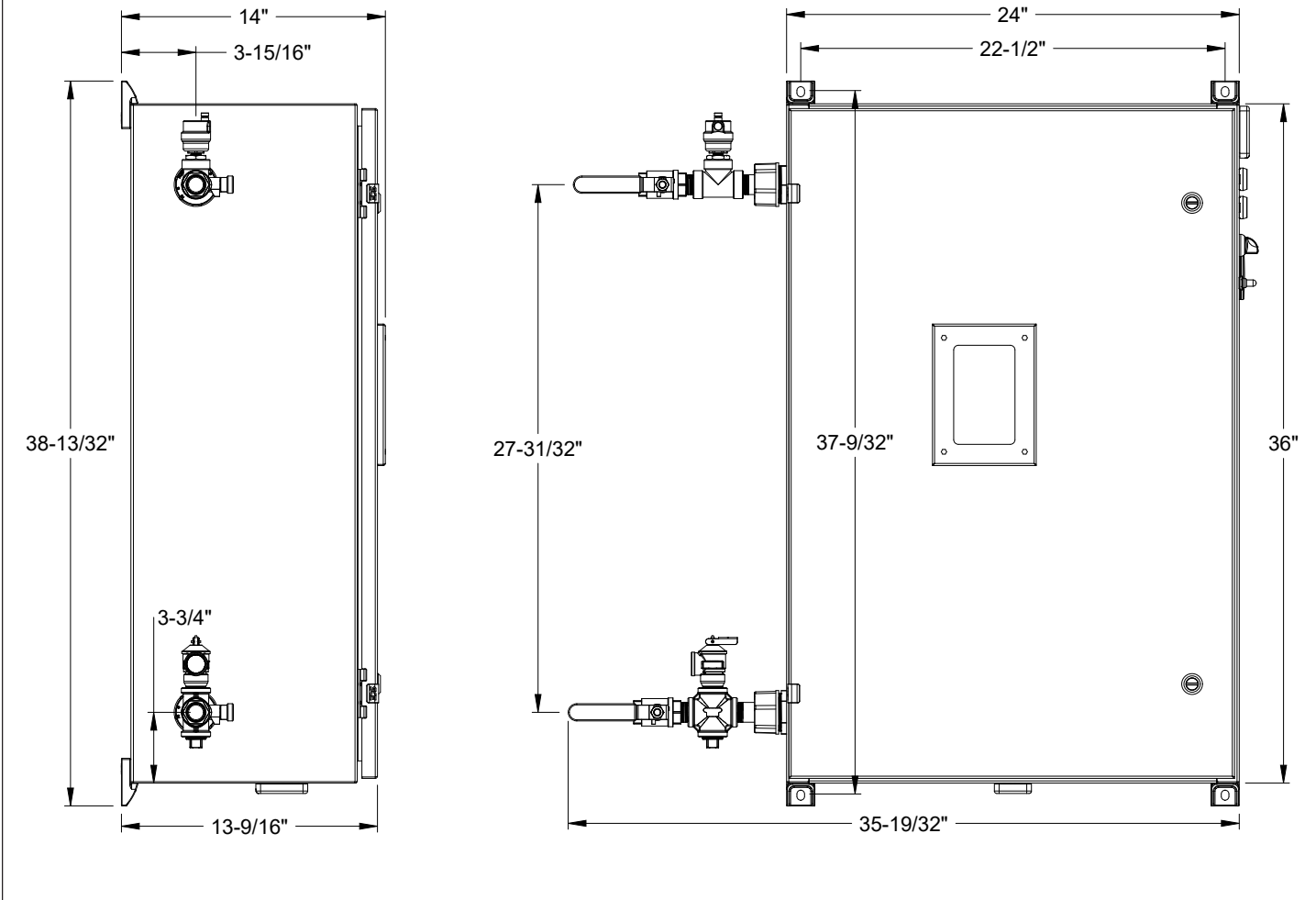


6 years against leakage /
2 years against defects in
workmanship & materials

rev. 4-2024 Due to our continuous process of engineering and technological advancement, specifications may change without notice.

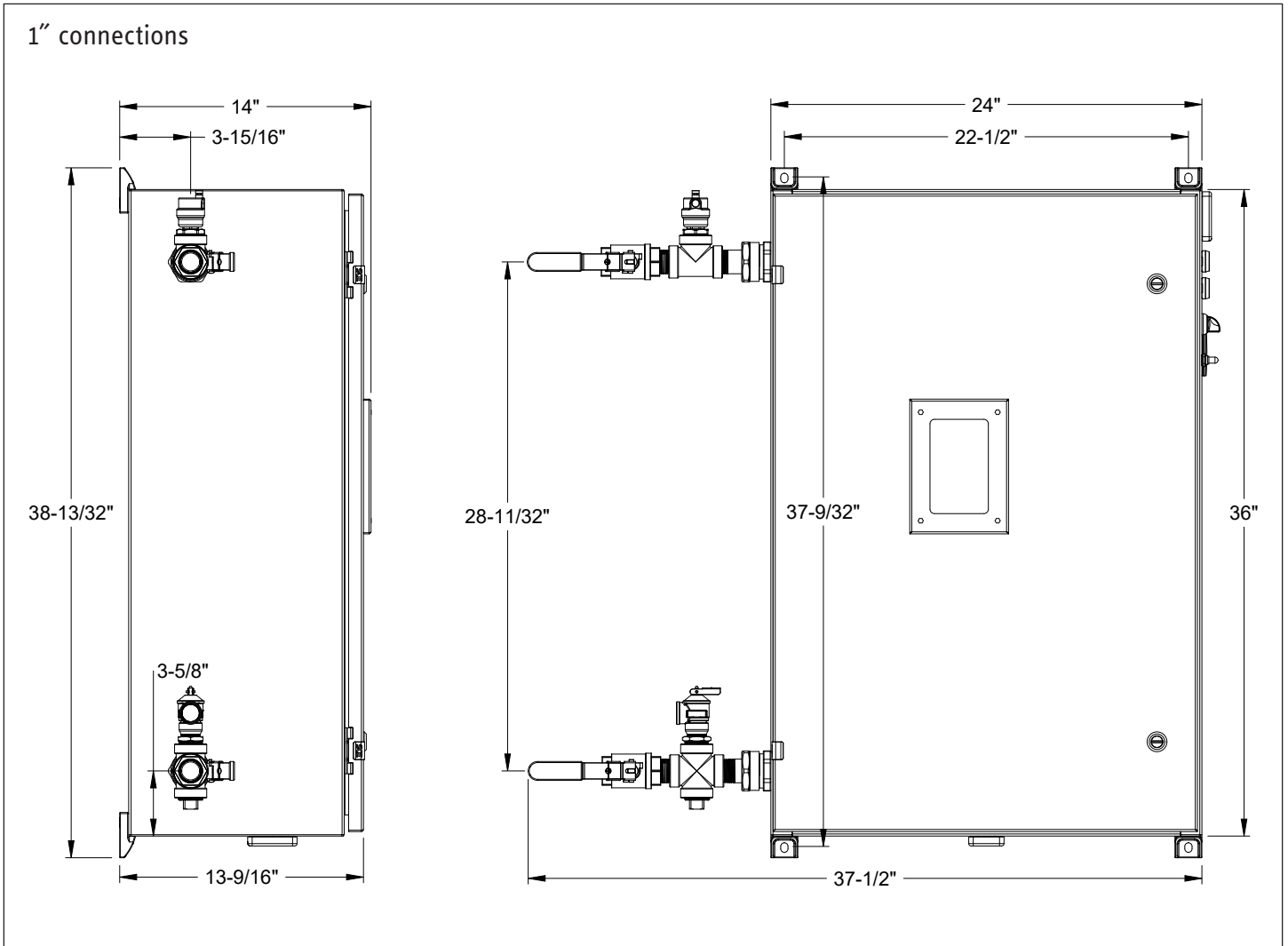
Dimensions

$\frac{3}{4}$ " connections

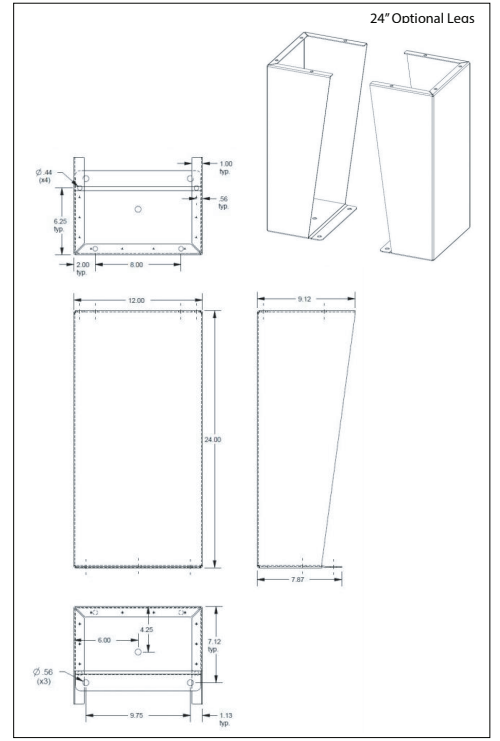
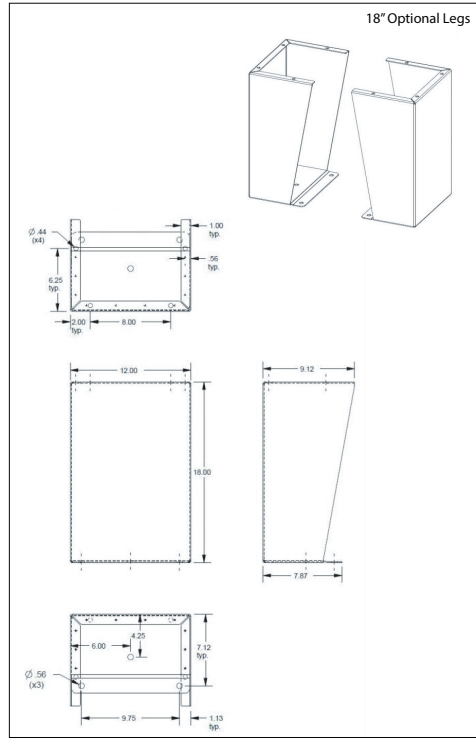
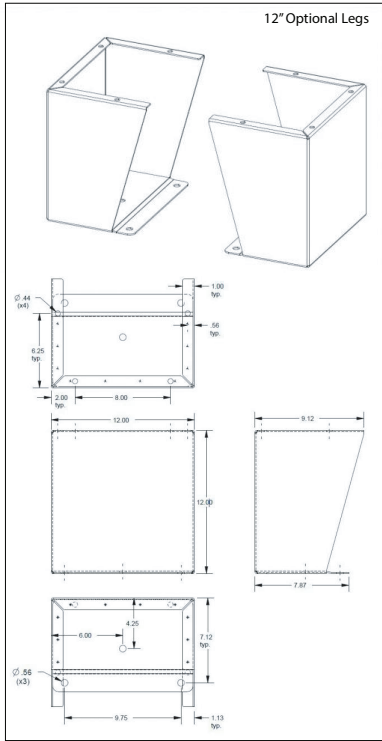


rev. 4-2024 Due to our continuous process of engineering and technological advancement, specifications may change without notice.

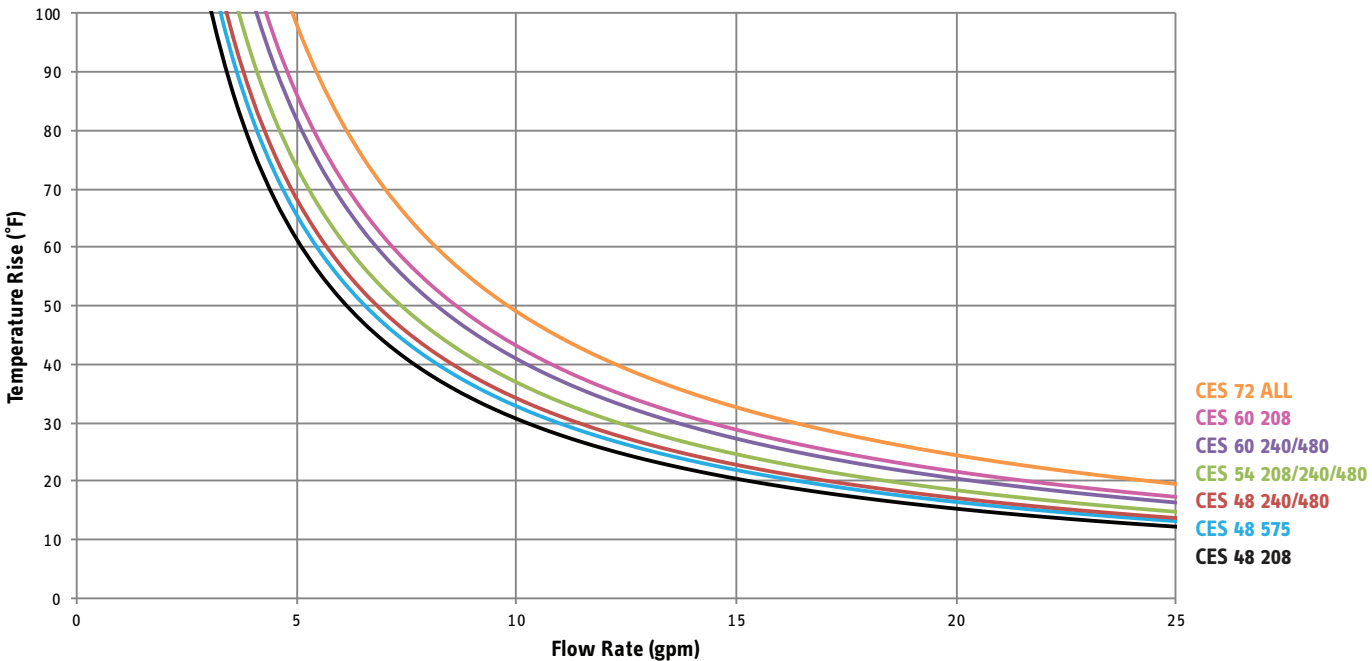
1" connections



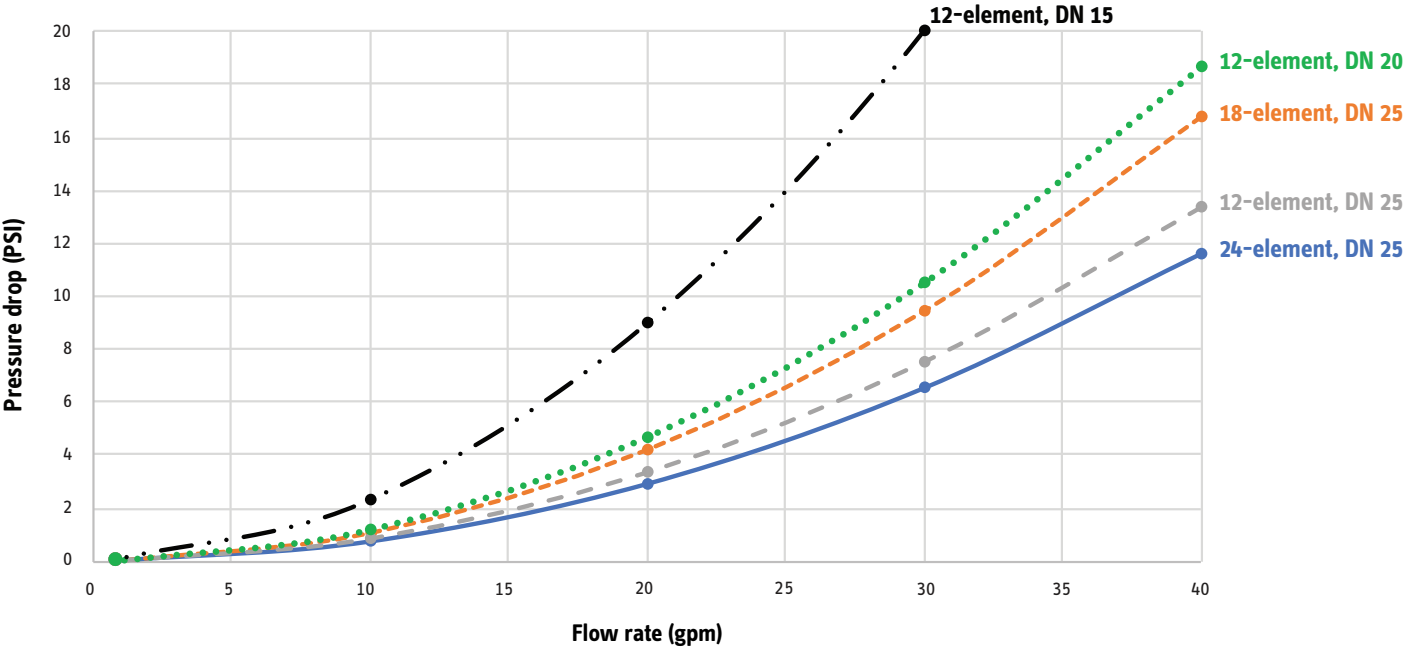
Dimensions for optional legs



Temperature Rise vs. Flow Rate



Pressure Drop vs. Flow Rate



rev. 4.2024 Due to our continuous process of engineering and technological advancement, specifications may change without notice.