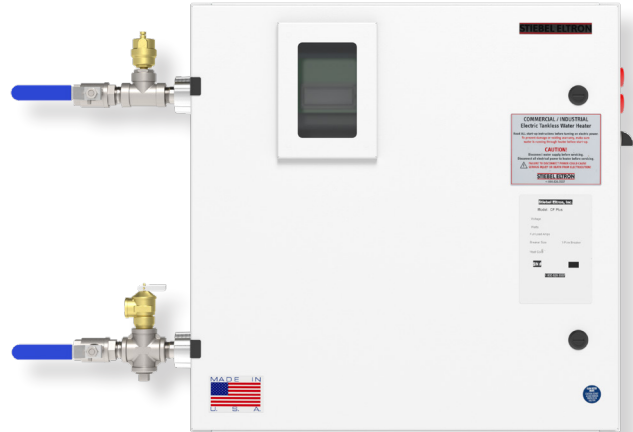


CF Plus Series: 12 kW, 15 kW, 18 kW | NEMA 4/4X

Specifications

| | |
|--|---|
| Model | CF Plus 12 kW, CF Plus 15 kW, CF Plus 18 kW |
| Phase | 3-phase |
| Inlet/outlet pipe connection | 3/4" female NPT |
| Heat exchanger material | 316L stainless steel |
| Enclosure rating | NEMA 4 shown, 4X available |
| Operating pressure range | 4-150 psi (0.27-10.3 bar) |
| Temperature setpoint options (programmed at factory, user adjustable) | 60-180 °F (32-82 °C) |
| Number of heating elements* | 3 |
| Minimum activation flow (hot start) | 0.75 gpm (2.8 l/m) |
| Maximum flow at 60 psi | 10.6 gpm (40.1 l/m) |

*CFPLUS-018-480D is a 6-element Delta heater.



| Model | Part Number | Voltage | Phase | kW | Amps | 3P Breaker Size (A) | Temperature Rise °F | | | | |
|---------------|-----------------|---------|---------------|-------|-------|---------------------|---------------------|-------|-------|-------|-------|
| | | | | | | | 1 gpm | 2 gpm | 3 gpm | 4 gpm | 5 gpm |
| CF Plus 12 kW | CFPLUS-012-208 | 208 | 3-phase delta | 11.27 | 31.27 | 35 | 77 | 39 | 26 | 19 | 15 |
| | CFPLUS-012-240 | 240 | 3-phase delta | 12.50 | 30.07 | 35 | 85 | 43 | 29 | 21 | 17 |
| | CFPLUS-012-480Y | 480 | 3-phase wye | 13.50 | 16.24 | 20 | 92 | 46 | 31 | 23 | 18 |
| CF Plus 15 kW | CFPLUS-015-208 | 208 | 3-phase delta | 15.77 | 43.78 | 50 | >100 | 54 | 36 | 27 | 22 |
| | CFPLUS-015-240 | 240 | 3-phase delta | 15.00 | 36.08 | 40 | >100 | 51 | 34 | 26 | 21 |
| | CFPLUS-015-480Y | 480 | 3-phase wye | 16.65 | 20.03 | 25 | >100 | 57 | 38 | 28 | 23 |
| CF Plus 18 kW | CFPLUS-018-208 | 208 | 3-phase delta | 18.00 | 49.96 | 60 | >100 | 61 | 41 | 31 | 25 |
| | CFPLUS-018-240 | 240 | 3-phase delta | 18.00 | 43.30 | 50 | >100 | 61 | 41 | 31 | 25 |
| | CFPLUS-018-480Y | 480 | 3-phase wye | 18.00 | 21.65 | 25 | >100 | 61 | 41 | 31 | 25 |
| | CFPLUS-018-480D | 480 | 3-phase delta | 18.00 | 21.65 | 25 | >100 | 61 | 41 | 31 | 25 |



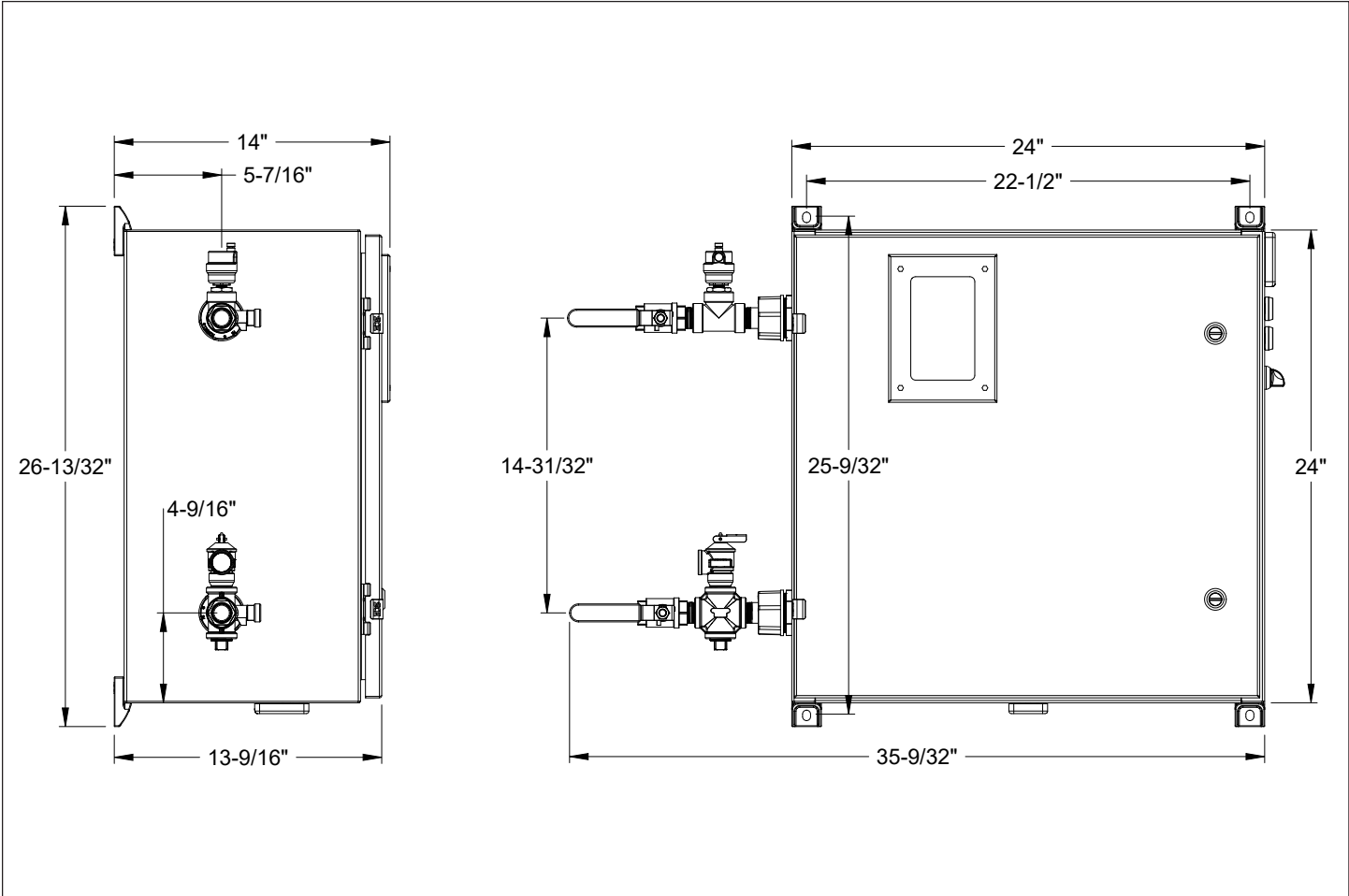
Certified to ANSI/UL Std. 499
Conforms to CAN/CSA
Std. C22.2 No.88



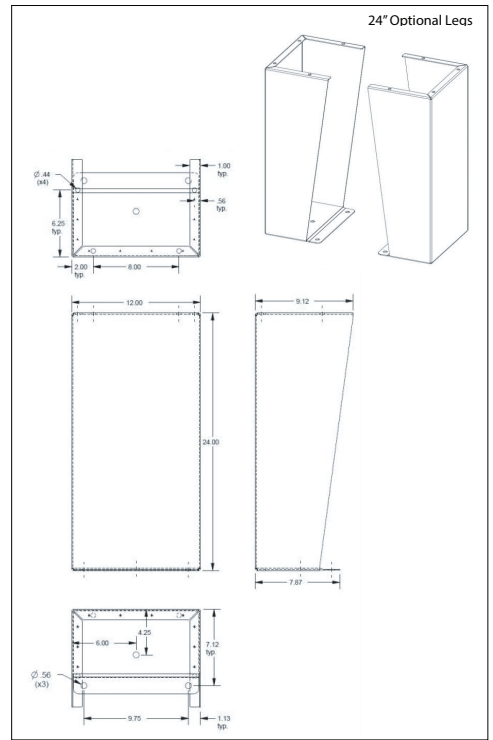
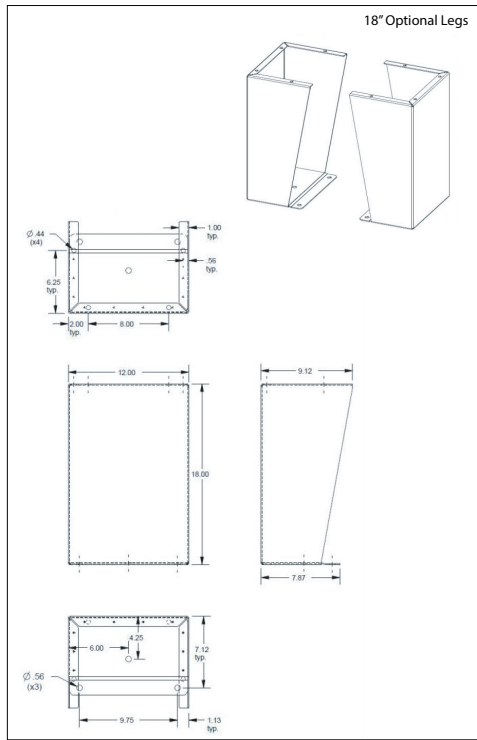
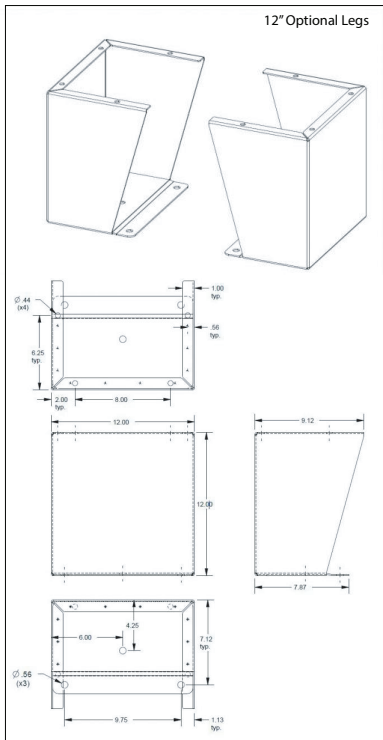
6 years against leakage /
2 years against defects in
workmanship & materials

rev. 4.2024 Due to our continuous process of engineering and technological advancement, specifications may change without notice.

Dimensions

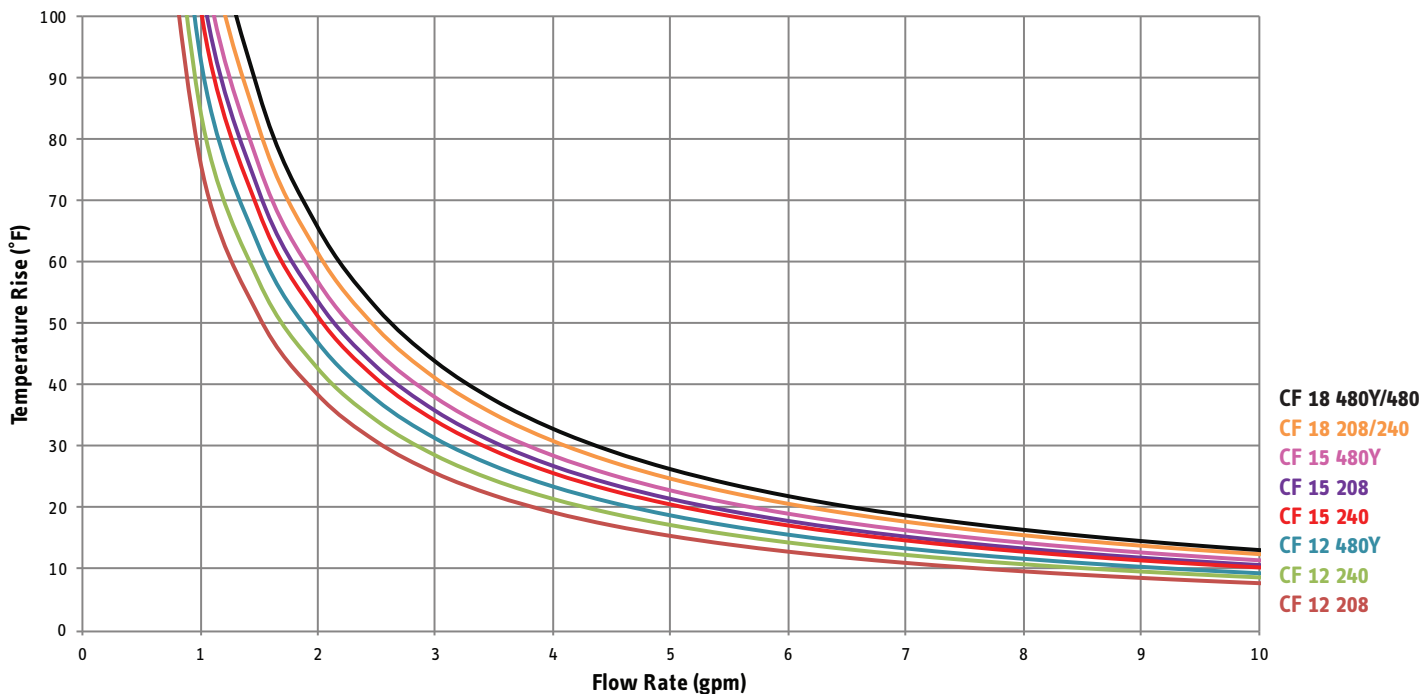


Dimensions for optional legs

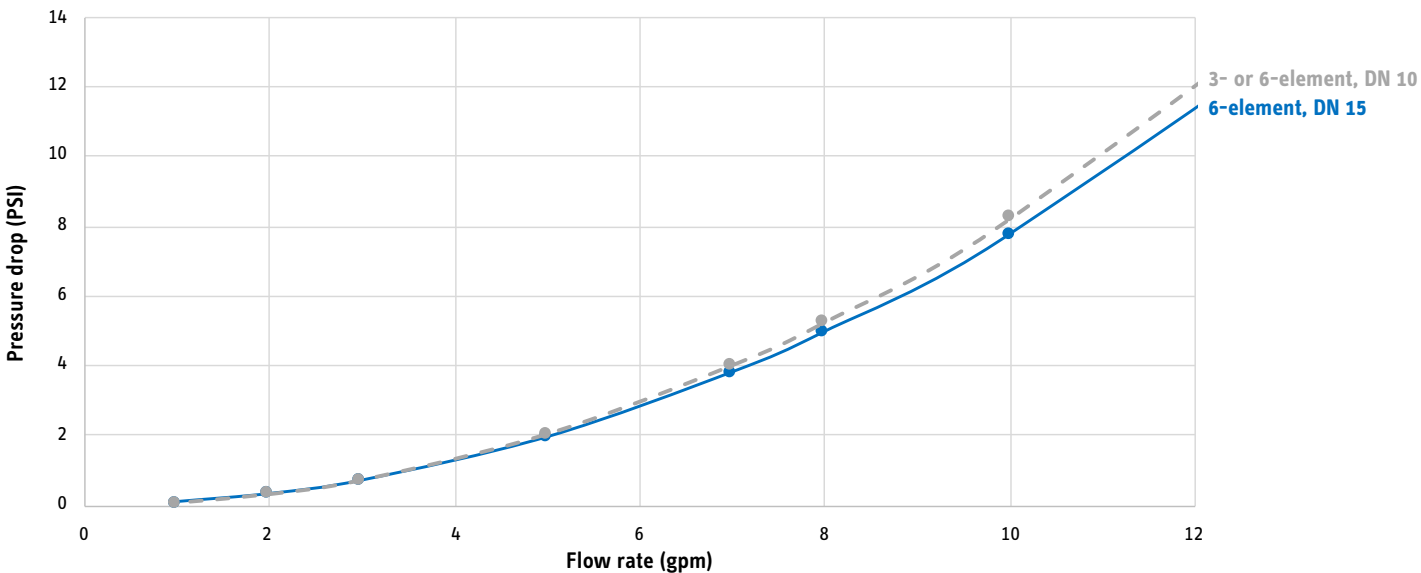


rev. 4-2024 | Due to our continuous process of engineering and technological advancement, specifications may change without notice.

Temperature Rise vs. Flow Rate



Pressure Drop vs. Flow Rate



rev. 4.2024 Due to our continuous process of engineering and technological advancement, specifications may change without notice.