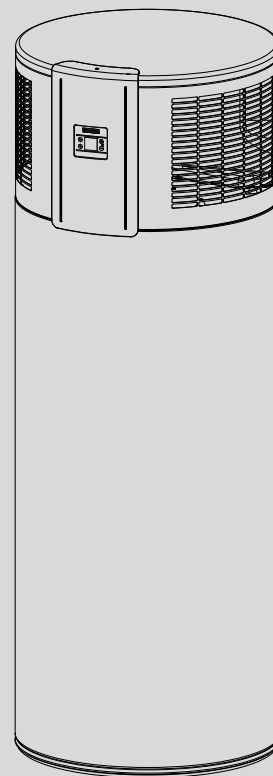


OPERATION AND INSTALLATION FUNCIONAMIENTO E INSTALACIÓN MODE D'EMPLOI ET INSTALLATION

DHW heat pump water heater
Calentador de agua con bomba eléctrica de calor
Chauffe-eau à thermopompe

- » Accelera® 220 E
- » Accelera® 300 E



Intertek

Conforms to ANSI/UL Std. 499, 1995, 94-5 VA, 174
Certified to CAN/CSA Std. C22.2 No. 110

Conforme a ANSI/UL Std. 499, 1995, 94-5 VA, 174
Certificación con CAN/CSA Std. C22.2 No. 110

Conforme à la norme ANSI/UL Std. 499, 1995, 94-5 VA, 174
Certifié à la norme CAN/CSA Std. C22.2 No. 110



Tested and certified by WQA to NSF/ANSI 372
for lead free compliance.

Probado y certificado por WQA NSF/ANSI 372 para
el cumplimiento de las regulaciones sin plomo.

Testé et certifié par WQA à la NSF/ANSI 372 pour
une utilisation sans plomb.

STIEBEL ELTRON

ACCELERA® 220/300 E QUICK START-UP GUIDE

OPERATION

1. General information	7
1.1 Safety instructions	7
1.2 Other symbols in this documentation	7
1.3 Units of measurement	7
1.4 Standardized output data	7
2. Safety	7
2.1 Intended use	7
2.2 Incorrect use	7
2.3 General safety instructions	8
2.4 ETL designation	9
2.5 Appliance labels	9
3. Register your product	11
4. Appliance description	11
4.1 Heat pump operating principle	11
4.2 Heating the DHW tank	11
4.3 Appliance operation outside the application limits	12
4.4 Defrosting	12
4.5 Freeze protection	12
4.6 Minimum runtime and minimum pause time	13
5. Settings	13
5.1 Display and controls	13
5.2 Settings	14
5.3 Changing mode of operation	15
5.4 Calling up fault codes	16
5.5 Rapid heating mode	16
5.6 Emergency shutdown	17
6. Maintenance and care	17
7. Troubleshooting	17
7.1 Fault codes	18

INSTALLATION

8. Safety	20
8.1 General safety instructions	20
8.2 Instructions, standards and regulations	20
8.3 Incorrect use	20
8.4 Qualification	20
9. Appliance description	20
9.1 Standard delivery	20
9.2 Required accessories	20
9.3 Further accessories	20
10. Preparations	20
10.1 Transport	20
10.2 Storage	21
10.3 Installation site	21
10.4 Siting the appliance	22
10.5 Minimum clearances	22

11. Installation	23
11.1 Water connection	23
11.2 Condensate drain	23
11.3 Choosing the operation mode	24
11.4 Power supply	25
11.5 Assembling the appliance	27
12. Commissioning	27
12.1 Commissioning	27
12.2 Recommissioning	27
13. Settings	28
14. Shutting down	28
15. Troubleshooting	28
15.1 Fault table	28
15.2 Resetting the safety pressure limiter	29
15.3 Resetting the high limit safety cut-out	29
15.4 Motor overload relay	29
16. Maintenance and cleaning	29
16.1 Removing the appliance cover	29
16.2 Removing the casing ring	29
16.3 Cleaning the evaporator	30
16.4 Draining the tank	30
16.5 Descaling the electric booster element	31
16.6 Protective anode	31
16.7 Valves	31
16.8 Replacing the power cable	31
16.9 Fitting the casing ring	31
16.10 Fitting the appliance cover	31
17. Specification	32
17.1 Dimensions and connections	32
17.2 Wiring diagram	34
17.3 Data table	35
18. Warranty	37

SPECIAL INFORMATION

This manual includes important information regarding the safe and efficient handling of the water heater. Keep this manual with the water heater at all times.

Work must only be carried out by a licensed installer who has read and understands these instructions. All federal, state and local codes must be followed. Failure to do so may result in equipment failure, serious injury, or death.

While working on the water heater, disconnect the power supply.

Illustrations in these instructions are designed to aid a general understanding and may deviate from the actual water heater version. No claims can be derived from such installations.

Limited liability:

We have collated all details and information in this manual in due consideration of applicable standards and regulations, the state of the art and our long-term know-how and experience.

Losses due to the following are excluded from our liability:

- Non-observance of these instructions
- Incorrect use
- Installation of water heater by unqualified personnel
- Unauthorized modifications
- Use of unauthorized spare parts

For more information on liability, see the warranty section at the back of this manual.

Copyright:

These operating and installation instructions are subject to copyright.

Transferring these instructions to third parties, copying of any kind, either in total or extracts therefrom, as well as their use and/or conveying its contents are prohibited without our written consent.

Violations are liable to claims for compensation. Further claims are reserved.

We hold the copyright:

Stiebel Eltron, Inc.
17 West Street | West Hatfield, MA 01088
Tel. 413.247.3380 | Fax 413.247.3369
Email info@stiebel-eltron-usa.com
www.stiebel-eltron-usa.com

Should you have any questions regarding the installation or operation of the water heater, please contact our customer service.
Tel. (USA) 800.582.8423 or 413.247.3380

Please record your serial number and information:

Serial No.: _____

Date of purchase: _____

ACCELERA® 220/300 E QUICK START-UP GUIDE

Overview:

Installation of this water heater is similar to standard electric water heaters, with a few minor exceptions. Be sure to follow all state and local codes during installation. This Quick Start-up Guide is not intended to be a substitute for the complete installation manual. Be sure to follow all safety precautions.

Unpacking:

DO NOT unpack the water heater until it is located at the point of installation. Follow all instructions in the manual and be sure to use caution, as this unit is top heavy. After unpacking, DO NOT lay the unit down and DO NOT jar or tip the unit past 45 degrees on a hand truck. If the appliance has not been completely vertical during transport or setup, it must rest in a vertical position for at least one hour before commissioning.

Installation of water connections:

1. Find a suitable location that fits the room spacing guidelines on the next page. The minimum volume of the room is 10' x 10' x 8'. Be sure vents are parallel to the wall with the fan facing the most open area along that wall. Please note: a drain pan is recommended, and may be code in some areas.
2. The inlet & outlet plumbing connections on the unit are 1" male NPT. It is recommended to use union connections for easier serviceability. Install a boiler drain at the cold water inlet for easier draining of the tank. Do not use hemp for sealing.
3. The temperature & pressure (T&P) safety valve port is 3/4" female NPT. A T&P valve is supplied which is rated to release water at 100 psi and/or 210 °F (99 °C). Plumb this connection to a bucket or directly to a drain. If it is plumbed to a bucket, check it often for any accumulated water.

For hook-up, follow all state and local codes for check valves, expansion tanks, shut off valves, gauges, etc.



Note

A 70 psi (4.8 bar) pressure reducing valve must be installed to ensure the pressure of the incoming water line never exceeds 70 psi (4.8 bar). (See 11.1, "Water connection", pg. 23).

Condensate drain:

Run the condensate drain connection directly into a drain or use a condensate pump to drain into a suitable location (See 11.2, "Condensate drain", pg. 23).

Fill & flush tank:

Run water and be sure the tank is full prior to turning on the electricity.

Installation/electrical:

Use a 240 Volt / 15 Amp double pole breaker and connect to the water heater L1, L2 & ground (See 11.4, "Power supply", pg. 25).

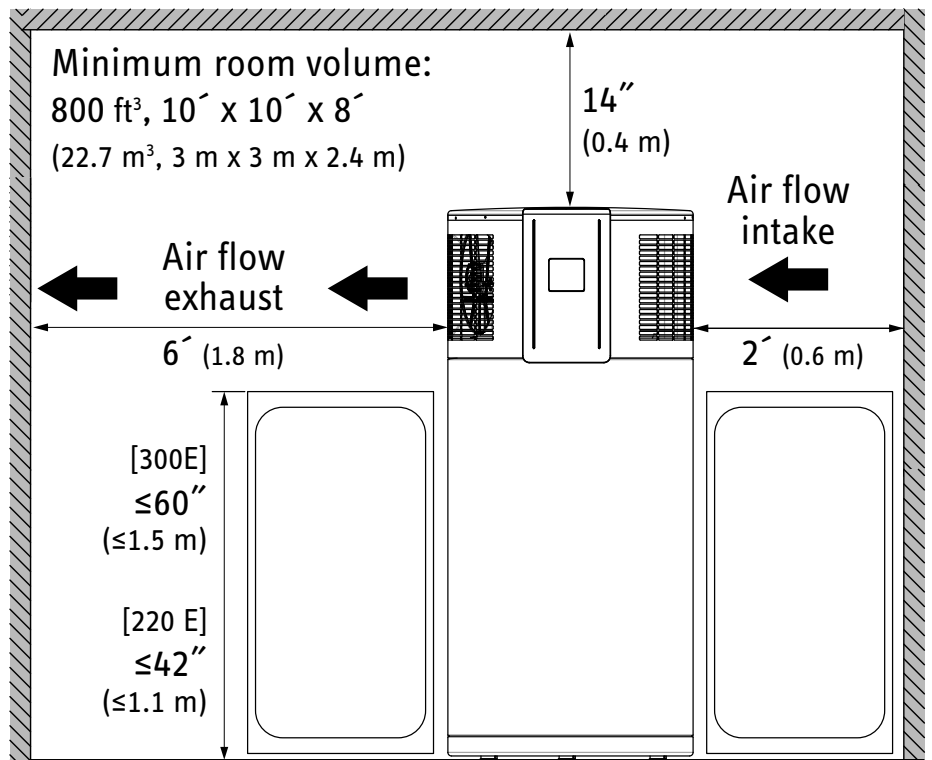
Recirculation loop:

Stiebel Eltron advises against the installation of this appliance in any recirculation loop. If a recirculation loop is required, see 11.1.6, "Recirculation loop", pg. 23 for recirculation installation requirements.

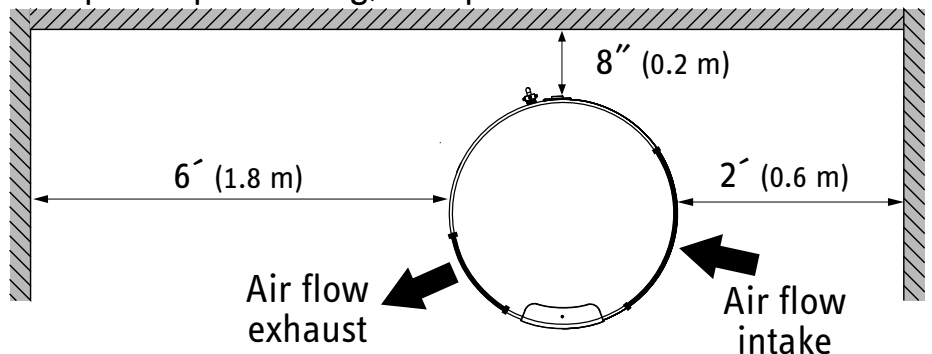
QUICK START-UP GUIDE

Required room dimensions and clearances

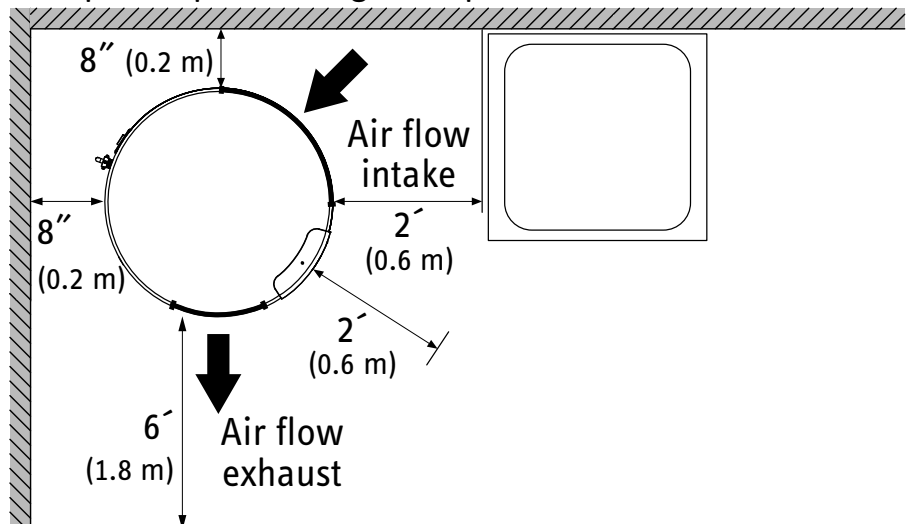
- › Do not install in a room with less than 800 cubic feet of total volume.
- › Do not install with the air exhaust pointing at a wall or any surface closer than 6 feet away.
- › Do not install with the air intake pointing to a wall or any surface closer than 2 feet away.
- › If you are installing an Accelera 220 E next to another appliance, the appliance cannot be taller than 42". If you are installing an Accelera 300 E, the appliance cannot be taller than 60". This restriction is to prevent an appliance from obstructing air flow to and from the Accelera.
- › Failure to follow installation instructions will void the factory warranty.



Acceptable positioning, vent parallel to a wall:

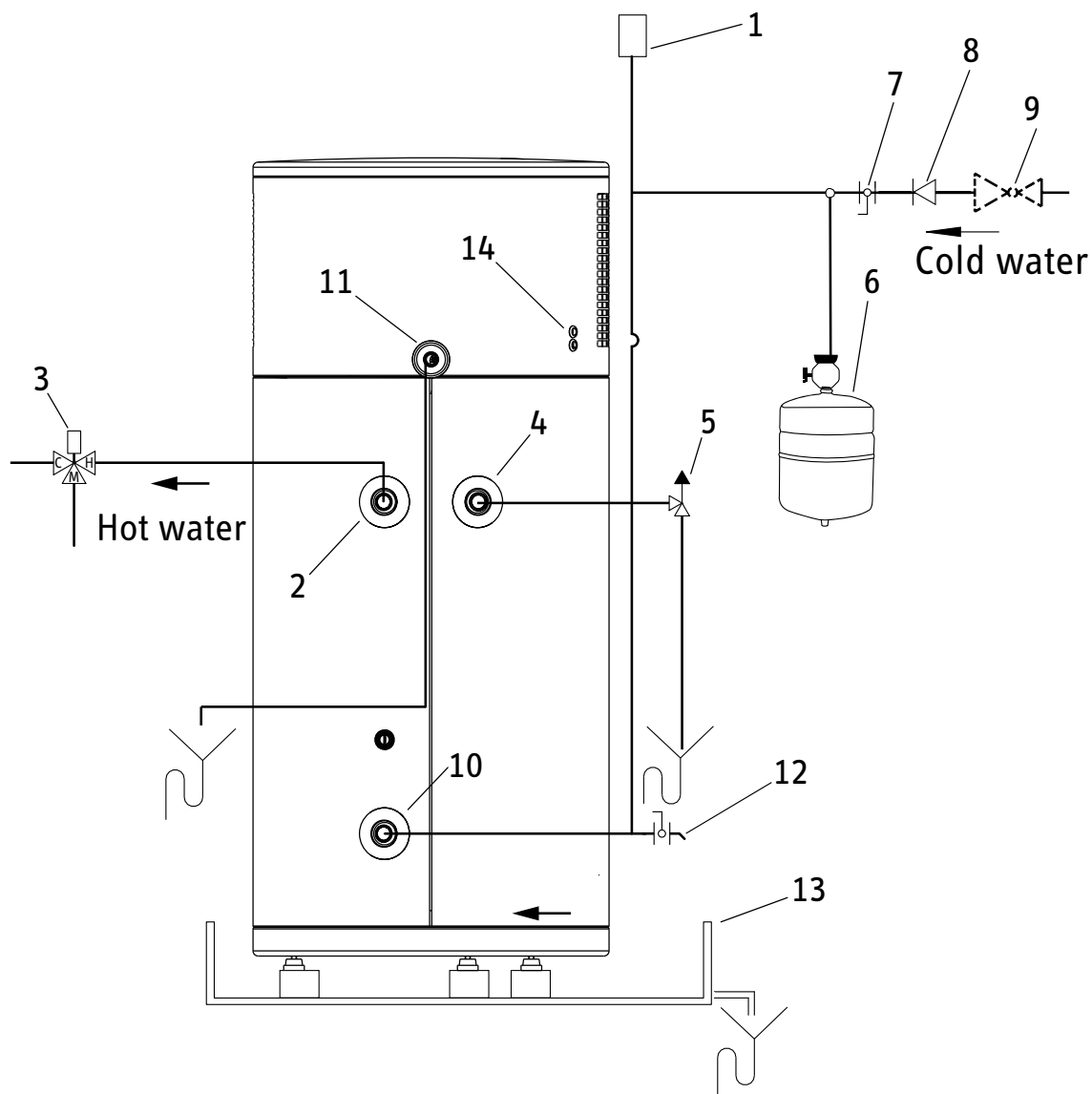


Acceptable positioning, vent parallel to a wall in a corner:



QUICK START-UP GUIDE

Plumbing connections



- 1 Vacuum breaker
- 2 Hot water connection (1" NPT)
- 3 Mixing valve (optional, supplied by installer)
- 4 Connection for T&P valve (3/4" NPT)
- 5 T&P valve 3/4" NPT, 100 psi @ 210 °F (0.69 MPa @ 99 °C), supplied with unit
- 6 Expansion tank, min. recommended size*: 5 gal. (19 l), (required, supplied by installer)
- 7 Straight-through shut-off valve (supplied by installer)
- 8 Check valve (required, supplied by installer)
- 9 70 psi (0.48 MPa) pressure reduction valve (required, supplied by installer)
- 10 Cold water connection (1" NPT)
- 11 Condensate drain (3/4" R to 1/2" barbed elbow), supplied with unit
- 12 Drain valve (supplied by installer)
- 13 Drain pan (supplied by installer)
- 14 Condensate spillover

* Recommendation based on 70 psi (0.48 MPa) inlet pressure, expansion tank precharged to 70 psi (0.48 MPa), 149 °F (65 °C) max. tank temperature, entire contents of the tank are not drained on each use, and fill temperature is 70 °F (21.1 °C).

OPERATION

1. General information

The chapters “Special information” and “Operation” are intended for appliance users and qualified contractors.

The chapter “Installation” is intended for qualified contractors.



Note
Read these instructions carefully before using the appliance and retain them for future reference.
Pass on the instructions to a new user if required.

1.1 Safety instructions

1.1.1 Structure of safety instructions



KEYWORD Type of risk
Here, possible consequences are listed that may result from failure to observe the safety instructions.
► Steps to prevent the risk are listed.

1.1.2 Symbols, type of risk

Symbol	Type of risk
	Injury
	Electrocution
	Burns (burns, scalding)

1.1.3 Keywords

KEYWORD	Meaning
DANGER	Failure to observe this information will result in serious injury or death.
WARNING	Failure to observe this information may result in serious injury or death.
CAUTION	Failure to observe this information may result in non-serious or minor injury.

1.2 Other symbols in this documentation



Note
General information is identified by the adjacent symbol.
► Read these texts carefully.

Symbol	Meaning
	Material losses (appliance damage, consequential losses and environmental pollution)

Symbol	Meaning
	Appliance disposal

► This symbol indicates that you have to do something. The action you need to take is described step by step.

□ □ ■ **These symbols show you the software menu level (in this example level 3).**

1.3 Units of measurement



Note
All measurements are given in inches (mm) unless stated otherwise.

1.4 Standardized output data

Information on determining and interpreting the specified standardized output data.

Standard: EN 16147

The output data specifically mentioned in text, diagrams and technical data sheets has been calculated according to the test conditions of the standard shown in the heading of this section. Generally, these standardized test conditions will not fully meet the conditions found at the installation site of the system user.

Depending on the chosen test method and the extent to which this method deviates from the conditions defined in the norm shown in the heading of this section, any deviations can have a considerable impact. Additional factors that have an influence on the test values are the measuring equipment, the system configuration, the age of the system and the flow rates.

A confirmation of the specified output data can only be obtained if the conditions applicable to the relevant test match those of the standard shown in the heading of this chapter.

2. Safety

This chapter provides an overview of all important actions required for a safe and trouble-free operation.

2.1 Intended use

The appliance is intended for DHW heating within the application limits (See 17.3, “Data table”, pg. 35).

The appliance is intended for domestic use, i.e. it can be used safely by untrained persons. The appliance can also be used in a non-domestic environment, e.g. in a small business, as long as it is used in the same way.

Any other use beyond that described shall be deemed inappropriate. Observation of these instructions and of instructions for any accessories used is also part of the correct use of this appliance.

2.2 Incorrect use

The following are not permitted:

- Heating liquids other than potable water
- Operating the appliance with an empty DHW tank

- Operating the appliance outside the application limits (See 17.3, "Data table", pg. 35)
- Interrupting the power supply, as without power supply the appliance is not protected against corrosion

2.3 General safety instructions

Only qualified contractors should carry out the electrical work and installation of this appliance. Qualified contractors are responsible for adherence to all applicable regulations.

Operate the appliance only when fully installed and with all safety equipment fitted.



WARNING Injury

The appliance may be used by children aged 8 and up and persons with reduced physical, sensory or mental capabilities or a lack of experience and know-how, provided that they are supervised or they have been instructed on how to use the appliance safely and have understood the resulting risks. Children must never play with the appliance. Children must never clean the appliance or perform user maintenance unless they are supervised.



WARNING Electrocutation

Contact with live components presents a threat to life. Damage to the electric insulation or to individual components may result in a threat to life.

- ▶ If there is damage to the insulation, disconnect the power supply and arrange a repair.

All work on the electrical installation must be carried out by a qualified contractor.



WARNING Scalding

The water in the DHW tank can be heated to temperatures in excess of 149 °F (65 °C). There is a risk of scalding at outlet temperatures in excess of 110 °F (43 °C).

- ▶ Ensure you do not come into contact with the water when discharged.



WARNING Burns

Touching hot components can lead to burns. When working on hot components, always wear protective working clothing and safety gloves. The pipework connected to the DHW outlet of the appliance can reach temperatures in excess of 149 °F (65 °C).



WARNING Burns

In the case of a fault, temperatures up to the high limit safety cut-out temperature limit can occur (See 17.3, "Data table", pg. 35).



WARNING Scalding

The appliance is filled with refrigerant at the factory. In case of leaking refrigerant, avoid coming into contact with the refrigerant or inhaling the released vapors. Ventilate the rooms affected.



CAUTION Injury

Never place any objects on top of the appliance. If objects are left on the appliance, noise emissions may increase due to resulting vibrations, and the objects could fall and cause injury.



WARNING Electrocutation

Never operate the appliance when the casing is open or without a cover.



CAUTION

To reduce the risk of excessive pressures and temperatures in this water heater, install temperature and pressure protective equipment required by local codes and no less than a combination temperature and pressure relief valve certified by a nationally recognized testing laboratory that maintains periodic inspection of production of listed equipment or materials, as meeting the requirements for Relief Valves and Automatic Gas Shutoff Devices for Hot Water Supply Systems, ANSI Z21.22. This valve must be marked with a maximum set pressure not to exceed the marked maximum working pressure of the water heater. Install the valve into an opening provided and marked for this purpose in the water heater, and orient it or provide tubing so that any discharge from the valve exits only within 6 inches above, or at any distance below, the structural floor, and does not contact any live electrical part. The discharge opening must not be blocked or reduced in size under any circumstances.



CAUTION

Hydrogen gas is produced by this heater in a hot water system that has not been used for a long period of time (2 weeks or more). Hydrogen gas is extremely flammable. To reduce the risk of injury under these conditions, it is recommended that the hot water faucet be opened for several minutes at the kitchen sink before using any electrical appliance connected to the hot water system. When hydrogen is present, there will probably be an unusual sound such as air escaping through the pipe as the water begins to flow. There should be no smoking or open flame near the faucet at the time it is open.



Material losses

Only operate the appliance when the DHW tank has been filled.



Material losses

If you disconnect the appliance from the power supply, it is no longer protected against frost.

- ▶ Do not interrupt the power supply to the appliance.



Material losses

Never cover this appliance. Covering the air intake or air discharge leads to a reduced air supply. If the air supply is restricted, the operational reliability of the appliance cannot be guaranteed.



Material losses

Heating liquids other than potable water is not permitted.

OPERATION

Safety



Material losses

Keep the appliance installation room free from air contaminated with oil or salt and corrosive or explosive substances.

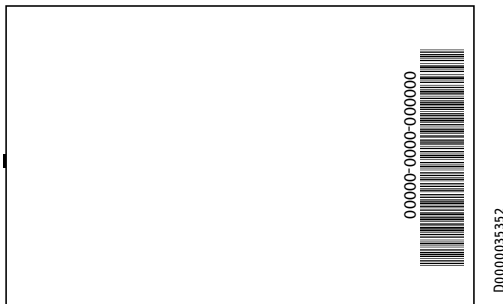
2.4 ETL designation

The ETL designation shows that the appliance meets all essential UL and CAN/CSA requirements. This appliance conforms to:

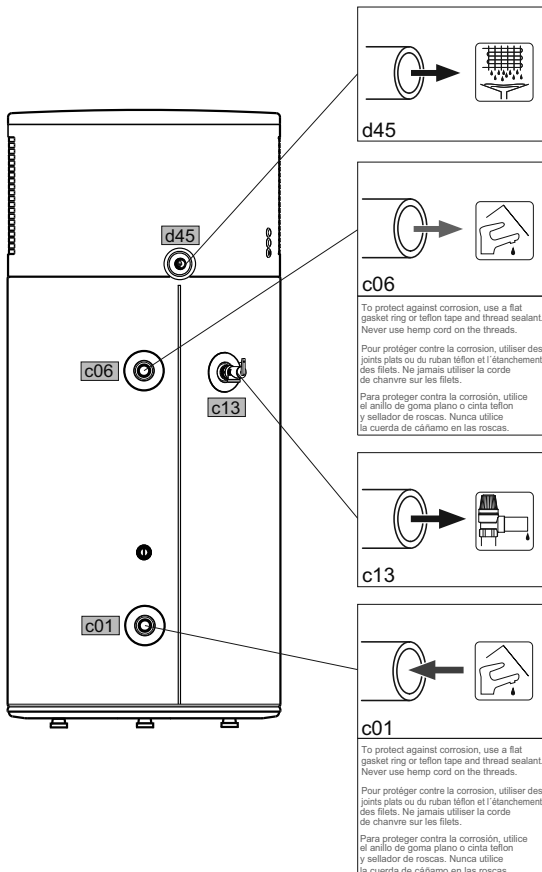
- UL Standard 1995
- UL Standard 174
- CAN/CSA Standard C22.2 No.236-05
- CAN/CSA Standard C22.2 No.110-94

2.5 Appliance labels

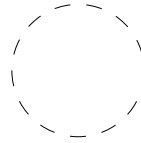
1 Type plate label for the Accelera 220/300 E



2 Water connection information label



3 Power connection information label



!Attention!

Must connect to
240 V, 15 A

Power supply

Disconnect power supply

Before opening the cover

Double-pole

Circuit breaker

4 Scald risk information label

⚠ DANGER

Water temperature over 52°C (125°F) can cause severe burns instantly or death from scalds.

Children, disabled and elderly are at highest risk of being scalded.

See instruction manual before setting temperature at water heater.

Feel water before bathing or showering.

Temperature limiting valves are available. See instruction manual.

WARNING

HOT WATER CAN PRODUCE 3RD DEGREE BURNS:
IN 6 SECONDS AT 60°C (140°F).
IN 30 SECONDS AT 54°C (130°F).
CONTROLS WERE FACTORY SET AT 52°C (125°F).
CONTACT QUALIFIED SERVICE PERSONNEL FOR ADJUSTMENTS.

Une température de l'eau de plus de 52°C (125°F) peut causer des brûlures graves ou la mort par ébullition. Les enfants, les personnes handicapées et les personnes âgées courent le plus grand risque de brûlures.

Lire la notice d'emploi avant d'ajuster la température du chauffe-eau.

Vérifier la température de l'eau avant de prendre un bain ou une douche.

Des dispositifs de limitation de température sont disponibles. Voir la notice d'emploi.

ATTENTION

L'eau chaude peut provoquer des brûlures de 3ème degré:
En 6 secondes à 60°C (140°F).
En 30 secondes à 54°C (130°F).
Réglé à l'usine à 52°C (125°F).
Contacter le personnel de service après-vente qualifié pour toute modification.

Agua con temperatura de más de 52 °C (125 °F) puede al instante causar quemaduras graves o la muerte por escaldadura.

Niños, personas con discapacidades o mayores se encuentran en mayor peligro de escaldadura.

Mire las instrucciones de uso antes de ajustar la temperatura en el calentador de agua.

Pruebe el agua antes de bañarse o de ducharse.

Están disponibles válvulas para regular la temperatura. Mire las instrucciones de uso.

ADVERTENCIA

Agua muy caliente puede causar quemaduras de 3º grado. En 6 segundos A 60 °C (140 °F). En 30 segundos A 54 °C (130 °F). La regulación fue ajustada en la producción A 52 °C (125°F). Si necesita ajustar la regulación, contáctese al técnico de servicio calificado.

OPERATION

Safety

5 Pressure & temperature relief valve information label

Relief valve
Plumber:
The relief valve installation must be fitted to this socket. The pressure and temperature relief valve has to meet local codes and comply with ANSI Z21.22.

Soupape de sûreté
Plombier:
L'installation de la soupape de sûreté doit être branchée sur cette prise. La soupape de sûreté pour la pression et la température doit être conforme à la réglementation locale et à ANSI Z21.22.

Válvula de seguridad
Plomero:
La válvula de seguridad debe instalarse en esta conexión. Las válvulas limitadoras de presión y temperatura tienen que ajustarse al código local y cumplir con la norma ANSI Z21.22.

315321-38055

6 Kyoto protocol information label



DE: Enthält vom Kyoto - Protokoll erfasste fluorierte Treibhausgase - hermetisch geschlossenes System.
GB: Contains fluorinated greenhouse gases covered by the Kyoto Protocol - hermetically sealed.
FR: Comprend les gaz à effet de serre fluorés enregistrés par le protocole de Kyoto - systèmes hermétiquement scellés.
NL: Bevat gefluoreerde broeikasgassen die onder het Kyoto-protocol vallen - hermetisch gesloten systeem.
SE: Innehåller av Kyoto - protokollet registrerade fluorerade växthusgaser i hermetiskt förslutna system.
PL: Zawiera fluorowane gazy cieplarniane ujęte w Protokole z Kioto - hermetycznie zamknięty układ.
CZ: Obsahuje fluorované skleníkové plyny, obsažené v Kjótském protokolu - hermeticky uzavřený systém.
HU: A Kiotói Jegyzőkönyv szerinti fluoráltalmú üvegházhatású gázokat tartalmaz - hermetikusan zárt rendszer.
IT: Contiene gas fluorurati ad effetto serra disciplinati dal protocollo di Kyoto - Impianto ermeticamente chiuso.
ES: Sistema herméticamente cerrado que contiene gases de efecto invernadero mencionados en el protocolo de Kioto.
BG: Съдържа посочените в Протокола от Киото флуорирани парникови газове - херметически затворена система.
RO: Conține un sistem închis ermetic contra emisiilor de gaze fluorinate monitorizate de protocolul Kyoto.
DK: Indeholder fra Kyoto-protokollen registrerede, fluorerede drivhusgasser - hermetisk lukket system.
NO: Inneholder fluorerte drivhusgasser som omfattes av Kyotoprotokollen - hermetisk lukket system.
FI: Sisältää kioton sopimuksen alaisia fluorattuja kasvihuonekaasuja - ilmatiiviisti suljettu järjestelmä.

299581-36960

7 Supplemental heat element information label

If the water heater is retrofitted with a supplemental heat element make sure that both thermostat are adjusted on the same water temperature set point.

Si le chauffe-eau est rénové avec un élément de chauffe supplémentaire, assurez-vous que les deux thermostats soient ajustés à la même température de réglage de l'eau.

Si el calentador de agua está adaptado a un elemento calentador suplementario, asegúrese que ambos termostatos estén ajustados a la misma temperatura de agua.

315322-38055

8 Booster heater element information label

CAUTION
for use only in water

ATTENTION
pour l'utilisation dans l'eau

ATENCIÓN
se usa sólo para en agua

315885-38055

9 Appliance must be vertical for at least one hour before commissioning information label

WARNING / WARNUNG

The unit must remain in vertical position for at least one hour before putting unit into operation.

Die Anlage muss min. 1 Stunde lang vor deren Inbetriebnahme in senkrechter Position bleiben.

L'appareil doit être placé en position verticale au moins une heure avant sa mise en route.

La unidad tiene que quedar en la posición vertical al menos durante una hora antes de poner la unidad en funcionamiento.

315125-38055

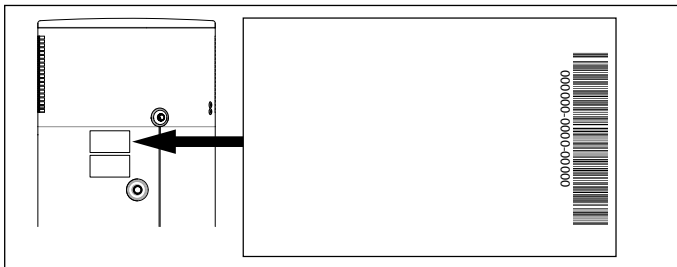
3. Register your product



Note:

You must register this product within 90 days of purchase on our web site in order to activate the standard warranty or to be eligible for the extended warranty. Go to our web site at www.stiebel-eltron-usa.com and click on register your product.

Before beginning the registration process, we suggest that you gather the necessary information which will be as follows:



- 1 Serial number on the type plate

Type, Example: Accelera 220 E (from the label that is on the unit)

Number listed after “Nr.”

Place of Purchase

Purchase Date

First & Last Name

Email address

Physical Address

Phone Number

Installation Date

If you have any questions concerning the registration process or warranty options, please contact Stiebel Eltron USA directly at 800.582.8423.

4. Appliance description

The appliance is designed for indoor installation. The appliance recirculates ambient air and does not require outdoor air. The appliance extracts heat from the ambient air. This heat is utilized to heat the water in the DHW tank with added electric power. The amount of electric energy and time required to heat-up the DHW depends on the temperature and humidity of the ambient air.

This heat extraction results in a drop in the ambient temperature inside the installation room by between 2 °F (1 °C) and 5.5 °F (3 °C). The appliance also extracts moisture from the air, which turns into condensate. The condensate is drained from the appliance via the condensate drain.

When a hot water draw-off point is opened, the hot DHW is pushed out of the appliance by the in-flow of cold DHW.

To protect against corrosion, the inside of the DHW tank is coated with special enamel and is additionally equipped with an impressed current anode.

The electronic control unit makes energy saving adjustments easier. Subject to the power supply and usage pattern, the water is heated up automatically to the set temperature.

4.1 Heat pump operating principle

A hermetic circuit within the appliance contains refrigerant (See 17.3, “Data table”, pg. 35). This refrigerant evaporates at low temperatures and collects heat from the ambient air.

In the evaporator, the refrigerant changes from its liquid into its gaseous state. A compressor draws in the gaseous refrigerant and compresses it. This increase in pressure raises the refrigerant temperature.

The compression process requires electrical energy. The energy (motor heat) is not lost, but is discharged to the downstream condenser. There, the refrigerant indirectly transfers heat to the DHW tank and the liquid refrigerant is routed to a filter dryer. An expansion valve reduces the still prevalent pressure. The refrigerant is routed to the two-flood evaporator and the cycle starts again.

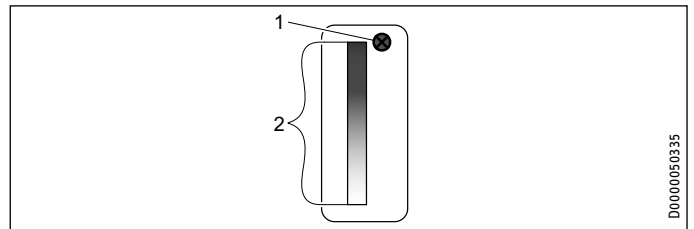


Note

In the event of an interruption of the power supply, the compressor is blocked from operating for at least one minute. The electronic control board (ECB) delays electronic starting for one minute while the appliance goes through its initializing process.

If the compressor subsequently fails to start, it may be blocked by additional safety devices (Klixon and/or high pressure switch). If the compressor is switched off due to the Klixon, the pressure difference between the high and low pressure sides of the refrigerant circuit may be the cause. When the pressure difference is equalized (approximately 5 minutes), the compressor turns on. If a tripped high pressure switch caused the blocking of the compressor, this may be due to a failed thermostat or high ambient air temperature. After the power supply has been re-established, the appliance continues to operate with the parameters that were selected before the power supply was interrupted.

4.2 Heating the DHW tank



- 1 Dome sensor
- 2 Integral sensor

The appliance is equipped with two temperature sensors.

- The dome sensor captures the water temperature in the upper section of the tank.
- The integral sensor is a temperature sensor affixed over the entire tank height. The integral sensor determines the average tank temperature.

Appliance description

The appliance display indicates the temperature in the upper section of the tank. The appliance control unit operates using the average tank temperature.

DHW heating begins when the available mixed water volume decreases to the percentage of maximum mixed water volume set in the "Reload factor" parameter.

The appliance may start to heat even though the display indicates that the thermostat is fulfilled. In this case the deviation of the average tank temperature from the set value is greater than the hysteresis of the integral sensor thermostat.

At ambient air temperatures lower than 46 °F (7.8 °C), the unit will automatically enter defrost mode from time to time to remove ice buildup on the evaporator.

For information on the heat-up time, See 17.3, "Data table", pg. 35. The calculation of the available amount of mixed water is based on the average cylinder temperature. The amount of mixed water is only calculated if the water temperature in the upper section of the cylinder is higher than 104 °F (40 °C).

DHW is normally heated by the heat pump of the appliance within the application limits (See 17.3, "Data table", pg. 35).

4.2.1 Electric booster element

The electric booster element is used for times of unexpectedly high hot water demand. The element is activated manually via the red dot push button located on the front display panel (See 5.1, "Display and controls", pg. 13, item no. 8, "Rapid heating key"). It is also activated automatically when the appliance is in Automatic Mode (See 5.3.1, "Automatic Mode", pg. 15).

In case of a heat pump failure you can start the electric emergency/booster heater should the appliance develop a fault and the fault code is higher than 256. (See 5.5.2, "Emergency back up mode", pg. 16).


In the event of an unexpectedly high hot water demand, the emergency/booster heater can be activated with the rapid heating key in addition to the heat pump. See 5.5.1, "Comfort heating", pg. 16.

4.3 Appliance operation outside the application limits

4.3.1 Ambient temperatures below the application limit

If hoar frost is growing on the evaporator fins, the hoar frost temperature monitor switches the heat pump compressor off. The compressor switches on automatically once the evaporator defrosts. Defrost only works if the ambient air temperature is more than 38 °F (3.3 °C)

- ▶ To guarantee fault-free operation of the appliance, make sure you operate the appliance within its application limits (See 17.3, "Data table", pg. 35).

 **Note**
Heat-up times are longer while the evaporator is defrosting.

4.3.2 Ambient temperatures above the application limit

The safety equipment switches the appliance off if the upper application limit is exceeded.

Following a cooling time of several minutes, the appliance is switched back on automatically. The appliance is switched off again if the ambient temperature rises above the permissible temperature value again.

- ▶ To guarantee fault-free operation of the appliance, make sure you operate the appliance within its application limits (See 17.3, "Data table", pg. 35).

4.4 Defrosting

Low air intake temperatures may result in the formation of hoar frost on the evaporator, subject to relative humidity and DHW temperature. The appliance is equipped with an electronic defrost monitor. DHW heating is interrupted during the defrosting process. The appliance switches off the compressor during the defrosting process. The fan continues to run. The defrosting process is shown on the appliance display.

A maximum defrost time is stored in the appliance. If the maximum defrost time is exceeded, the appliance stops the defrosting process and releases the electric booster element.



Note

Heat-up times are longer while the evaporator is defrosting.



Note

The appliance starts the defrosting process as soon as the compressor runtime reaches the "Defrost required" time span stored in the appliance.

4.5 Freeze protection

The appliance activates a freeze protection function if the integral sensor in the DHW tank detects a temperature below 50 °F (10 °C). The appliance then heats the water in parallel mode by using both the heat pump and the electric booster element. The heat pump and electric booster element switch off once the temperature detected by the integral sensor is more than 65 °F (18 °C).

4.6 Minimum runtime and minimum pause time



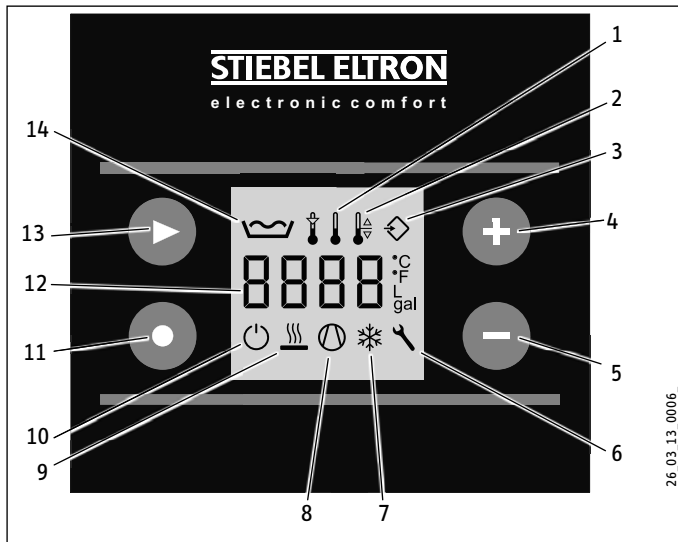
Material losses

When operating with external switching devices that can interrupt the power supply to the appliance, such as time switches, energy management systems or home automation systems, must adhere to the following conditions:

- The minimum ON time is 60 minutes.
- The minimum pause time following a shutdown is 20 minutes.
- The appliance should not be switched on/off more than 10 times per day.
- The breaking capacity of the switching actuator must meet the circuit breaker protection requirements (see chapter "Specification / Data table").

5. Settings

5.1 Display and controls



- 1 Actual temperature
- 2 Set temperature 1
- 3 Set temperature 2 active
- 4 Plus key
- 5 Minus key
- 6 Service/error symbol
- 7 Defrost mode
- 8 Heat pump
- 9 Electric booster element
- 10 Freeze protection
- 11 Rapid heating key
- 12 Amount of mixed water display (l @ 40 °C /gal @ 104 °F)
Actual temperature display, upper tank section /
Set temperature 1 display
Set temperature 2 display
Fault code display
- 13 Menu key
- 14 Amount of mixed water

5.1.1 Symbols

Symbol	Description
	Amount of mixed water: The currently available amount of mixed water at 104 °F (40 °C) and at 59 °F (15 °C) cold water temperature is shown.
	Actual temperature: The current actual temperature is shown. The actual temperature indicates the temperature in the upper section of the DHW cylinder and therefore largely corresponds to the outlet temperature.
	Set temperature 1
	Set temperature 2 (External signal transmitter): is the DHW set temperature that the appliance heats to if an external signal transmitter is connected and active.
	Standby: The symbol flashes if the appliance PCB and load (compressor) are separately supplied with power. This connection option is required if the appliance is to be operated via switchable sockets in an energy management system (See 11.4, "Power supply", pg. 25) for example.
	Electric booster element: This symbol indicates the presence of a demand on this component. This symbol being displayed does not necessarily mean that the electric booster element is in operation.
	Heat pump: This symbol indicates the presence of a demand on this component. This symbol being displayed does not necessarily mean that the compressor is running.
	Defrost mode active
	Service/error: If the "service/error" symbol appears on the display, inform your qualified contractor. Continuous illumination of the symbol indicates that the fault is not preventing appliance operation. A flashing "Service/error" symbol indicates that water is not being heated and that it is essential you notify your qualified contractor. Switching the appliance to emergency mode is a special case. The electric emergency/booster heater will then heat the water despite the flashing "service/error" symbol.

The "electric booster element" and "heat pump" symbols are displayed when these appliance components are running.



Note

The back-light of the display will illuminate for 15 seconds after pressing any button.

Service/fault symbol



Note

Notify your installer if the service/fault symbol appears on the display. Continuous illumination of the symbol indicates that the fault is not preventing appliance operation.

A flashing service/fault symbol indicates that the water is not being heated and that it is essential you notify your contractor.

OPERATION

Settings

5.2 Settings

■ Menu

In standard display mode, the display shows the current amount of mixed water.



Note

15 seconds after every adjustment, the appliance automatically switches back to the standard display and saves the set value.



With the menu key, all information and setting options are called up in sequence. The relevant symbol appears with each setting.

- "Mixed water volume" display
- "Actual temperature" display
- Set temperature 1
- Set temperature 2 (External signal transmitter)
- Changing units
- Charging level
- Fault code
- E fault code

5.2.1 Amount of mixed water display (standard display) ■



The currently available amount of mixed water at 104 °F (40 °C) when mixed with 59 °F (15 °C) cold water is shown.



If there is no usable hot water in the tank, the display shows "--".

DHW demand for	Amount of mixed water at 104 °F (40 °C)
Bath	32-40 gal (120-150 l)
Shower	9-13 gal (30-50 l)
Hand washing	1/2-1 1/2 gal (2-5 l)

The amount of mixed water that can be achieved depends on the set point temperature.

5.2.2 Actual temperature display ■



In the mixed water menu, press the menu key once to get to the actual temperature menu.

The current actual temperature in the upper section of the DHW tank is shown. This largely corresponds to the outlet temperature.

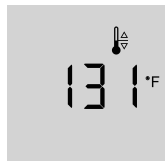
5.2.3 Set temperature 1 ■



Note

For reasons of legionella prevention, never set the DHW temperature lower than 124 °F (50 °C).

Set temperature 1 is the default DHW temperature the appliance heats to. Set temperature 1 is set to 131 °F (55 °C) at the factory. Set temperature 1 is active if no external signal transmitter is connected and active (See 5.2.5, "Set temperature 2", pg. 14)



In the actual temperature menu, press the menu key once to get to the menu for set temperature 1.

The set temperature 1 symbol appears.



Adjust set temperature 1 from 69-149 °F (20.5-65 °C) using the plus and minus keys.

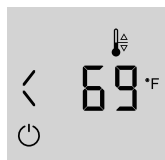


Note

Another way to adjust set temperature 1 is to press the plus or minus key when in standard display (amount of mixed water).

5.2.4 Freeze protection

If the water temperature in the tank is below 59 °F (15 °C), the heat pump and the electric element activate as a freeze protection measure. This mode deactivates once the water temperature reaches 65 °F (18.3 °C).



If the set temperature is set to less than 69 °F (20.5 °C), only freeze protection remains active. The water heater will not run.

1

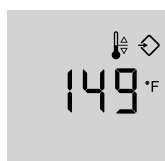
5.2.5 Set temperature 2 ■



Note

For reasons of legionella prevention, never set the DHW temperature lower than 124 °F (50 °C).

Set temperature 2 is the DHW temperature to which the appliance heats if an external signal transmitter is connected and active.



In the set temperature 1 menu, press the menu key once to get to the menu for set temperature 2.

The set temperature 2 symbol appears.



Adjust set temperature 2, from 69-149 °F (20.5-65 °C) using the plus and minus keys.



OPERATION

Settings

Operation with external signal transmitter (240 V input)

The connection of the heat pump to an external signal offers the possibility of heating water to a raised temperature set point during periods when electric rates are favorable, for example during times when PV power is available or low tariff utility rates are in effect.

The external signal may be offered by a PV system or off-peak electricity rates of a utility.

If an external signal is received, set temperature 2 becomes active, overriding set temperature 1, the standard set DHW temperature.

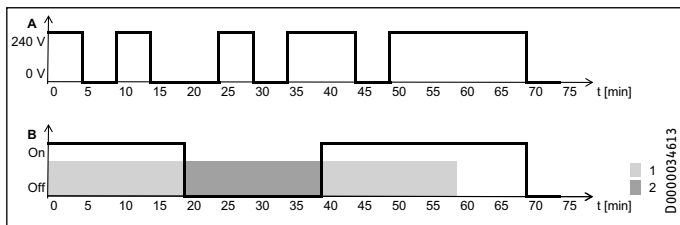
If set temperature 2 has been activated by the external signal transmitter, this set temperature will then be active for at least 20 minutes. If the signal remains active after those 20 minutes passed, the compressor will run until the external signal. If not, the selected set temperature 1 is activated again.

If the relevant set DHW temperature is accomplished, the compressor switches off and remains off for a minimum idle time of 20 minutes.

The following diagram illustrates the connections by means of a sample signal sequence of an external signal transmitter.

Example:

- DHW temperature = 131 °F (55 °C)
- Set temperature 1 = 124 °F (50 °C)
- Set temperature 2 = 149 °F (65 °C)



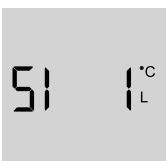
- A LF signal
- B Compressor
- 1 20 min. minimum runtime, set temperature 2
- 2 20 min. minimum compressor idle time



Note
An LF signal must be active for at least 60 seconds before the control unit responds to it. This prevents cycling of the compressor due to fast changing sun radiation conditions.

5.2.6 Changing units ■

This appliance is capable of displaying temperature and volume in either US units or SI units. A selection of 0 at this screen will show units in Fahrenheit and gallons. A selection of 1 screen will show units in Celsius and liters.



- Press the menu key until the screen displays "SI" and either 0 or 1.
- Adjust the display units from US to SI (0 to 1) using the plus and minus keys.
-

5.2.7 Reload factor ■

Reload factor determines the percentage of energy content in the tank required to turn on the heat pump. 40% means that the heat pump will activate when 40% of tank contents remain. This may be adjusted to a maximum of 60%.

	Factory setting
Reload factor	40



- Press the "Menu" key, until an "L" followed by a number appears in the display.
- You can change the value using the "Plus" and "Minus" keys. Setting range: 30-60%
-

5.2.8 Fault code ■



- If the "Service/fault" symbol illuminates or flashes, you can query the fault code using the "Menu" key. This menu remains disabled if no fault has arisen.

See 7.1, "Fault codes", pg. 18

5.2.9 E fault code ■

A fault code preceded by E appears if the fault relates to the refrigerant circuit. Notify a qualified contractor.

5.3 Changing mode of operation

This appliance has two operating modes which determine the relative use of the heat pump to the backup electric element: Automatic Mode & Heat Pump Only Mode.

5.3.1 Automatic Mode

The appliance ships factory set to Automatic Mode. In Automatic Mode, water is heated primarily with the heat pump to satisfy Set temperature 1 (See 5.2.3, "Set temperature 1", pg. 14), or Set temperature 2 (See 5.2.5, "Set temperature 2", pg. 14) If the hot water consumption is more than the heat pump can keep up by itself, Automatic Mode automatically activates the backup element to provide additional heating and faster hot water recovery.

Automatic Mode balances energy savings with user comfort by relying primarily on the heat pump and automatically activating the backup electric element during times of high hot water demand. Automatic Mode is the recommended operation mode for most installations.

5.3.2 Heat Pump Only Mode

During installation the appliance can be manually set to Heat Pump Only Mode by a technician. In this mode, the backup element is not activated during normal operation, and the heat pump is the source of heating. If the tank contents become exhausted, the user must either wait for the heat pump to reheat the tank or

OPERATION

Settings

press the rapid heating key for backup comfort heating (See 5.5.1, "Comfort heating", pg. 16).

Heat Pump Only Mode prioritizes energy savings over the hot water recovery rate. Heat Pump Only Mode is recommended for installations where curtailing energy usage is of the highest concern, such as an installation where power is off-grid. Note that even when Heat Pump Only Mode is selected that freeze protection is still active (See 5.2.4, "Freeze protection", pg. 14).

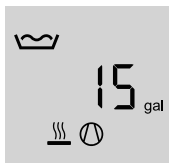
5.4 Calling up fault codes



While on the "changing units" menu, press the menu key to get to the fault code menu. A fault code will appear if a fault has occurred. If no error has occurred, this menu is not available.

See 7.1, "Fault codes", pg. 18.

5.5 Rapid heating mode



Press the rapid heating key for two seconds.

The electric booster element symbol appears. The heat pump symbol may appear depending on the tank temperature when the button is pressed.

5.5.1 Comfort heating

The rapid heating key activates the comfort heating function, which enables the water heater to satisfy a high DHW demand without changing any of the appliance's standard settings.

When comfort heating is activated by pressing the rapid heating key, the heat pump and the booster element will start in parallel, irrespective of the current tank temperature. The heat pump and booster will remain active until the tank temperature reaches the set temperature.

In addition, the booster element will work in parallel with the heat pump during normal operation for 48 hours. After 48 hours, the appliance switches back to previously set parameters.

If the water temperature in the upper cylinder section rises by a hysteresis value above the set temperature on the cylinder top sensor, the electric emergency/booster heater is switched off. The electric emergency/booster heater remains in standby mode until the set temperature has been reached throughout the DHW cylinder. A flashing "electric emergency/booster heater" symbol indicates that the electric emergency/booster heater is in standby mode.



Note

The electric booster element and heat pump symbols are displayed until the comfort heating function has ended. During comfort heating, the electric element switches off once the upper section of the tank is heated to the set temperature. The heat pump switches off when the entire tank is heated to the set temperature.

5.5.2 Emergency back up mode

If the heat pump is out of order, it is possible to use the electric booster element in backup mode to ensure hot water production.

The compressor is disabled automatically if the thermostat measures a temperature increase less than 0.5 °F (0.25 °C) at 15 minute increments over a time frame of 13 hours despite there being a demand. This action is taken to recognize a fault in the heat pump circuit and alert the user of the fault as soon as possible. In this case the fault code "8" is activated and will flash. The fault key flashes on the display and a fault code indicates that the appliance is not heating the water.



Press the "Rapid heat-up" key for two seconds.

The "heat pump" and "electric emergency/booster heater" symbols appear.

To activate the backup mode, press the rapid heating key for two seconds. After the rapid heating key has been pressed, the indicated fault code increases by a value of 256, as the fault codes are summed together (See 7.1, "Fault codes", pg. 18). The fault key continues to flash. The electric booster element is activated.

The current set temperature (set temperature 1 or set temperature 2) is ignored. In emergency mode, the appliance operates with a fixed set temperature of 104 °F (40 °C). After a one-off activation of the function via the rapid heating key, this function remains active for 7 days.

Following 7 days of backup operation, the electric booster element is deactivated. The fault code shown on the display again flashes "8".

If the rapid heating key is pressed again within the 7 days of backup operation, the 7-day run time for emergency mode will start fresh from that point.

Pressing the rapid heating key only activates backup mode if a fault with fault code 8 occurred previously. In standard mode pressing the rapid heating key triggers the 48 hour heating mode (See 5.5, "Rapid heating mode", pg. 16).

An interruption of the power supply will disable the backup mode immediately. The heat pump will try to heat again after power is restored. If the heat pump is still out of order the emergency back up mode can be reactivated after 13 hours.

You can avoid having to wait until the temperature increase time has elapsed (See 17, "Specification", pg. 32) by starting manual emergency heating mode.

5.5.3 Manual emergency heating mode

If a fault has occurred and no fault code is displayed, you can activate emergency heating mode.



- Press the "Plus" and "Minus" keys simultaneously for five seconds.
- The "heat pump" and "electric emergency/booster heater" symbols appear.

5.6 Emergency shutdown

In the event of an emergency, carry out the following steps:

- ▶ Interrupt the power supply by unplugging the appliance or by shutting off the circuit breaker.
- ▶ Shut off the cold water supply.
- ▶ Immediately notify a qualified contractor, as the appliance is not protected against corrosion while the power supply is interrupted.
- ▶ Drain the water out of the tank if there is a power outage longer than 2 days.

6. Maintenance and care



WARNING Electrocutation
 Do not insert objects through the grille into the interior of the appliance.
 Never spray the appliance with water.
 Never spray water into the appliance.

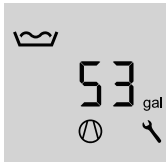
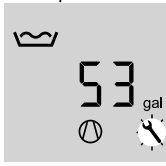


WARNING Injury
 Maintenance work, such as checking the electrical safety, must only be carried out by a qualified contractor.

Appliance components	Care and maintenance tips
Casing	Use a damp cloth to clean the casing sections. Never use abrasive or corrosive cleaning agents.
Air intake grille / air discharge grille	Clean the air intake grille and air discharge grille every six months. Cobwebs or other kinds of contamination can restrict the air supply to the appliance.
DHW tank	The DHW tank is equipped with a maintenance-free impressed current anode to safeguard against corrosion. The power supply must not be interrupted while the appliance is filled with water to enable the impressed current anode to provide protection. Otherwise there is a risk of corrosion.
Electric booster element	Have the electric booster element descaled from time to time. This will extend the expected life of the electric booster element.
Appliance	Have the safety assembly and the evaporator checked regularly by a qualified contractor.
Condensate drain	Undo the condensate drain. Check that the condensate drain is clear and remove any dirt from the condensate drain connection of the appliance.

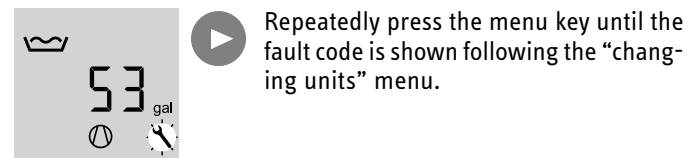
7. Troubleshooting

Problem	Cause	Remedy
No hot water is available.	No 220–240 V power to the appliance. The circuit breaker in the electric panel has tripped.	Check that the appliance is connected to the 220–240 V power supply. Check whether the circuit breaker in the electrical panel has tripped. If required, disconnect the appliance from the power supply and replace the circuit breaker. Contact your contractor if the circuit breaker blows again after the appliance is connected to the power supply.
	The air intake or air discharge of the appliance is blocked.	Check the air intake grille and air discharge grille for contamination. Remove any contamination (See 16, "Maintenance and cleaning", pg. 29). Check thermostat setting.
	The ambient temperature exceeds the upper application limit (See 17.3, "Data table", pg. 35). The appliance safety equipment has responded and the appliance has switched off automatically.	Wait for the appliance to cool down. Call a qualified contractor if the appliance does not switch back on automatically.
	The ambient temperature falls below the lower application limit (See 17.3, "Data table", pg. 35). The evaporator is currently being defrosted.	Wait until the appliance switches back on automatically.
The appliance is not heating the DHW tank although the heat pump symbol is illuminated.	The blocking time for compressor has not yet elapsed. Once the compressor has been switched off, it will only be switched back on again after the 20 minute compressor blocking time has elapsed.	No action required.
The safety valve of the cold water supply line is dripping.	These units are under water mains pressure. During the heat-up process, expansion water will drip from the safety valve. Ensure that adequate expansion volume was installed in the DHW loop.	Notify a qualified contractor if water continues to drip when heating is completed. Check the sealing of the P&T valve if a sand filter is used. If expansion volume is too small, install a larger expansion tank.
The condensate drain drips.	The surface temperature of the evaporator is lower than the dew point temperature of the ambient air. Condensate forms.	The amount of condensate depends on the air humidity level.
The room temperature drops too low.	Due to the heat pump process the room temperature drops.	The temperature drop depends on the hot water demand and the size of the installation room. If the temperature drop of the installation room is more than 7 °F (4 °C) check the size of the installation room.

Problem	Cause	Remedy
Service symbol is continuously illuminated.	See 7.1, "Fault codes", pg. 18	Notify a qualified contractor.
		
Service symbol flashes and the water does not heat up.	See 7.1, "Fault codes", pg. 18	It is imperative that you notify a qualified contractor.
		
The heat pump symbol is illuminated but the compressor is not running. The fan is running.	The appliance is in defrost mode.	No action required.
The "heat pump" symbol is flashing.	There is a demand for heat, but the compressor is blocked from starting.	No action required. The compressor is blocked for 20 minutes from starting again after it has been switched off in normal operation. The compressor switches itself on automatically after the 20 minute blocking time has elapsed. The symbol stops flashing automatically.
The "electric emergency/booster heater" symbol is flashing.	A temperature controller has switched off the "electric emergency/booster heater" during rapid heat-up.	No action required. The appliance continues the rapid heat-up process using the heat pump. The symbol stops flashing when the controller releases the "electric emergency/booster heater". The symbol goes out when the temperature throughout the DHW cylinder reaches the set temperature of 149 °F (65 °C).

7.1 Fault codes

If the service/fault symbol is flashing or continuously illuminated on the display, you can call up a fault code.



Fault code appears



7.1.1 Fault code menu 1

Fault code	Service symbol	Fault description	Remedy
0		No fault	
2	continuously illuminated	The dome sensor has failed. The temperature displayed is measured by the integral sensor. The appliance will continue to work properly but the amount of mixed water will read as less than 2 gallons.	Call Stiebel Eltron for more information if this error occurs.
4	continuously illuminated	The integral sensor has failed. The mixed water display will not show the correct amount but the appliance will continue to work properly.	Call Stiebel Eltron for more information if this error occurs.
6	flashing	Dome sensor and integral sensor failed. The appliance stops heat delivery.	Contact a qualified contractor.
8	flashing	The appliance has recognized that the DHW tank is not heated for 13 hours, despite there being a demand.	You can continue to use the appliance by activating backup mode. See 5.5.2, "Emergency backup mode", pg. 16. Call Stiebel Eltron for more information if this error occurs.
16	continuously illuminated	Short circuit impressed current anode / protective anode failed	Immediately inform a qualified contractor, as the appliance is not protected against corrosion if the impressed current anode is faulty.
32	flashing	The appliance is operating with an empty tank or the appliance is not delivering heat. The anode current is interrupted. The appliance does not heat up.	Fill the appliance with water. The fault code disappears and the appliance starts. The contractor needs to check the connection of the impressed current anode and the internal wiring.
128	continuously illuminated	No communication between controller and display. The most recently selected set values are active.	Check the connection between the display and the control board.
256	flashing	Manually activated Emergency backup mode (only electric booster element active).	See 5.5.2, "Emergency backup mode", pg. 16.

OPERATION

Troubleshooting

7.1.2 Fault code menu 2

Fault code	Service symbol	Fault description	Remedy
E 2	flashing	The temperature sensor on the evaporator is faulty.	Notify a qualified contractor.
E 16	continuously illuminated	The high pressure limiter has responded. Compressor heating mode is temporarily blocked. Compressor heating mode will continue as soon as the pressure has normalized.	Wait until the pressure has normalized.
E 32	continuously illuminated	An electrical fault has occurred.	Call Stiebel Eltron for more information if this error occurs.
E 64	flashing	Evaporator temperature < minimum evaporator temperature	Notify a qualified contractor.
E 128	flashing	A permanent pressure switch fault has occurred. A pressure fault occurred multiple times within a defined pressure fault evaluation time.	Notify a qualified contractor.

If more than a single fault occurs, the fault codes gets summed.
 Example: If both the dome sensor and integral sensor failed, the display shows fault code 6 (=2+4).

Application scenarios for emergency mode

If the appliance shows fault code 8, you can manually activate emergency mode. If a different fault occurred previously, but did not cause the appliance to switch off, the display may show a fault code that is the result of several faults added together.

Listed below are the fault codes which will allow you to activate emergency mode.

Fault code displayed	Individual fault code(s)
8	8
10	Fault code 8 + fault code 2
12	8+4
24	8+16
26	8+2+16
28	8+4+16
138	8+2+128
140	8+4+128
152	8+16+128
154	8+2+16+128
156	8+4+16+128

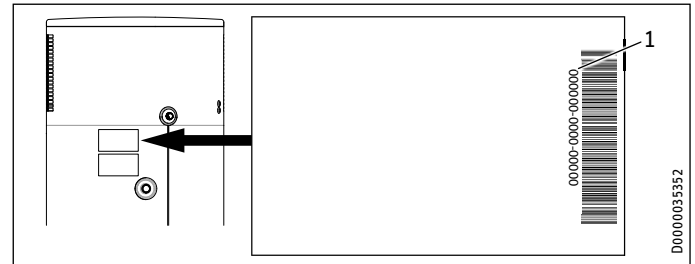
When the appliance is operating in emergency backup mode, the fault code shown is increased by 256.

Fault code displayed in emergency backup mode	Individual fault code(s)
264	8+256
266	8+2+256
268	8+4+256
280	8+16+256
282	8+2+16+256
284	8+4+16+256
394	8+2+128+256
396	8+4+128+256
408	8+16+128+256
410	8+2+16+128+256
412	8+4+16+128+256

Notifying a qualified contractor

If you cannot remedy the fault, notify your qualified contractor. To facilitate and speed up your request, provide the serial number from the type plate (000000-0000-00000). The type plate can be found on the appliance above the "DHW outlet" connection.

Sample type plate



1 Serial number on the type plate

INSTALLATION

8. Safety

Only a qualified contractor should carry out the installation, commissioning, maintenance and repair of the appliance.

8.1 General safety instructions

To prevent your warranty claim, use only original accessories and spare parts. If you need spare parts, call 800.582.8423.

8.2 Instructions, standards and regulations



Note

Observe all applicable national and regional regulations and instructions.

Take note of the appliance type plate and chapter "Specification".

8.3 Incorrect use

The following are not permitted:

- Do not install the water heater on non-load bearing floors
- Do not install the water heater where it is at risk from frost
- Do not install in rooms where the water heater is at risk from explosions as a result of dust, gases or vapors
- Do not ignore safety clearances and safety zones
- Do not incorrectly install the power connection
- Do not operate the water heater with an open casing
- Do not heat anything other than potable water
- Do not fill with any other refrigerant type, use only R134a

8.4 Qualification

In this manual, qualified individuals will be described as the "licensed installer".

Licensed installers are responsible for adherence to all currently applicable regulations during installation and initial start-up.

8.4.1 Licensed installer

Licensed installers are specially trained in their field. Licensed installers work on systems on the basis of their training, knowledge and experience, as well as their knowledge of applicable standards and regulations. They are able on their own to recognize and prevent possible problems.

8.4.2 Electrician (licensed)

An electrician is a licensed installer who meets the above requirements with regard to electrical-related installations.

8.4.3 Plumber (licensed)

A plumber is a licensed installer who meets the above requirements with regard to water-related installations.

8.4.4 Customer service

For customer service inquiries, please contact Stiebel Eltron directly at 800.582.8423

9. Appliance description

The heat pump unit is located in the upper section of the appliance. The DHW tank is located in the lower section of the appliance.

9.1 Standard delivery

The following are delivered with the appliance:

- Condensate drain
- T&P valve, 100 psi (6.9 bar) at 210 °F (99 °C), leak tested

9.2 Required accessories

Various safety assemblies are available that need to be selected subject to the respective static pressure. These type-tested safety assemblies protect the appliance against unacceptable excess pressure.

- A 70 psi (4.8 bar) pressure reducing valve must be installed to ensure the pressure of the incoming water line never exceeds 70 psi (4.8 bar).
- A 5 gallon (19 liter) potable water expansion tank with air pre-charge set to 70 psi (4.8 bar) must be installed on the incoming water line.

9.3 Further accessories

- Condensate pump (if there is a minor base slope for draining the condensate, use a condensate pump)

10. Preparations

10.1 Transport



CAUTION Injury

- ▶ Take note of the weight of the appliance.
- ▶ Use suitable transport aids (e.g. a hand truck) and enough personnel for transportation.



Material losses

- The appliance is top heavy and can easily tip over.
 - ▶ Make sure the unit is not tilted.
 - ▶ Only set the appliance down on an even base.



Material losses

- The appliance casing is not designed to withstand strong forces. Incorrect handling can lead to considerable loss. Observe the information on the packaging.

Leave the appliance in its packaging and on the pallet while transporting. This enables horizontal transport and protects the appliance during transport.

Remove the packaging shortly before the installation and do not unpack the appliance until it has arrived in the final installation room.

INSTALLATION

Preparations

Vehicular transport



Material losses

Storing and transporting the appliance vertically is recommended.

The appliance may be transported horizontally on good roads. Strong shocks to the appliance are not permissible.

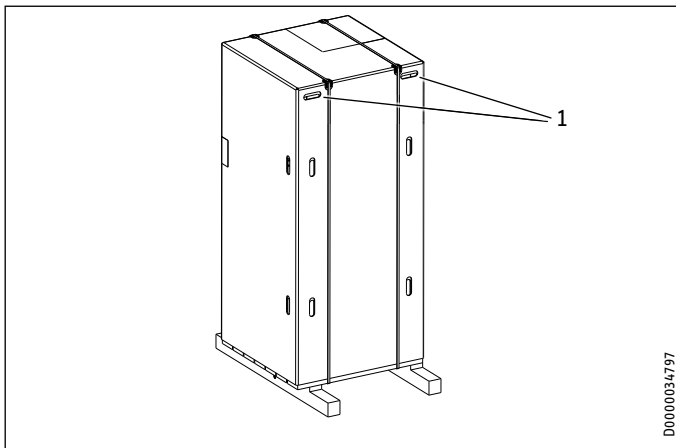


Material losses

The duration in a horizontal position may not exceed more than 24 hours.

If the appliance was transported horizontally, it must be placed in a vertical position and allowed to remain that way for at least one hour before commissioning.

► Observe the information on the packaging.



1 Recessed grips

Transport from vehicle to installation room

The cardboard box has reinforced recessed grips along the top of the appliance. You can use these recessed grips, as well as the pallet at the lower end, to carry the appliance into the installation room. Take note of the weight of the appliance and ensure a sufficient number of personnel is available for handling the appliance.

10.2 Storage

If it is necessary to store the appliance for a prolonged period before installation, observe the following information:

- Only store the appliance in a vertical position. Never store the appliance horizontally.
- Store the appliance in a location that is dry and largely dust-free.
- Protect the appliance from coming into contact with corrosive substances.

10.3 Installation site

The appliance is not approved for outdoor installation except for garages.

To prevent appliance damage:

- The installation location must be free from flammable, highly combustible gases and substances, as well as high levels of dust.

- The installation room must be free from the risk of frost.
- The intake temperature of the appliance must be within the permissible application limits (See 17.3, "Data table", pg. 35).
- The floor of the installation room must be level and have sufficient load bearing capacity. Take note of the weight of the appliance with a full DHW tank (See 17.3, "Data table", pg. 35). A floor with insufficient foundation pressure capacity is in danger of collapse. If the appliance is not evenly balanced, there may be a risk of appliance damage.
- The size of the installation room must correspond to the application limits of the appliance (See 10.5, "Minimum clearances", pg. 22 and See 17.3, "Data table", pg. 35).
- Observe the safety clearances and protection zones.
- Always leave sufficient distance to provide access for installation, maintenance and cleaning. Observe the required minimum clearances (See 10.5, "Minimum clearances", pg. 22).
- Ensure that the operation of other equipment in the installation room is not impaired.
- To reduce the pipe runs, install the unit close to the kitchen or bathroom.
- To prevent disturbance from operating noise, never install the appliance close to bedrooms.

The following installation locations are not permissible, due to risk of appliance damage:

- Locations where the air is contaminated with oil or salt
- Saline environments
- Areas in proximity to high frequency machines
- Places where the air contains ammonia (e.g. sewage works)
- Places where the air contains chlorine (e.g. swimming pools)
- Generally places where the air is strongly contaminated, e.g. due to dust, or contains aggressive substances



Note

The performance data indicated for this appliance has been determined in line with the relevant standard at an air temperature of 59 °F (15°C). Below this temperature, the efficiency of the appliance decreases.



Note

It is possible to improve the efficiency of the appliance by utilizing the waste heat and humidity from other appliances to heat the DHW tank, e.g. boilers, tumble dryers or freezers.

Sound emissions

The air intake and air discharge sides of the appliance emit more noise than other sides of the housing.

- Never direct the air intake or air discharge towards noise-sensitive rooms of the house, e.g. bedrooms.



Note

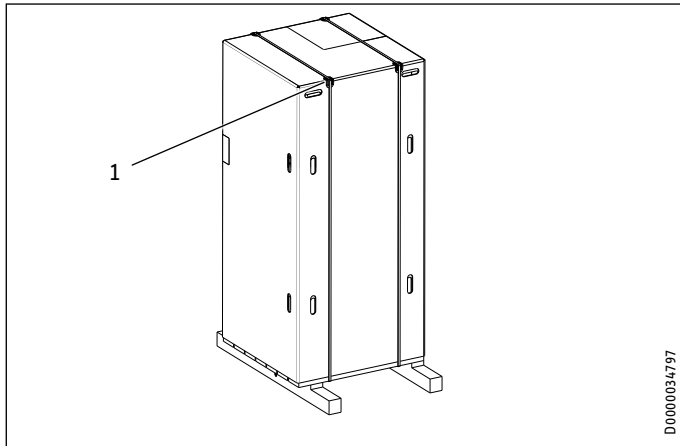
For details on noise emission, see chapter "See 17.3, "Data table", pg. 35".

INSTALLATION

Preparations

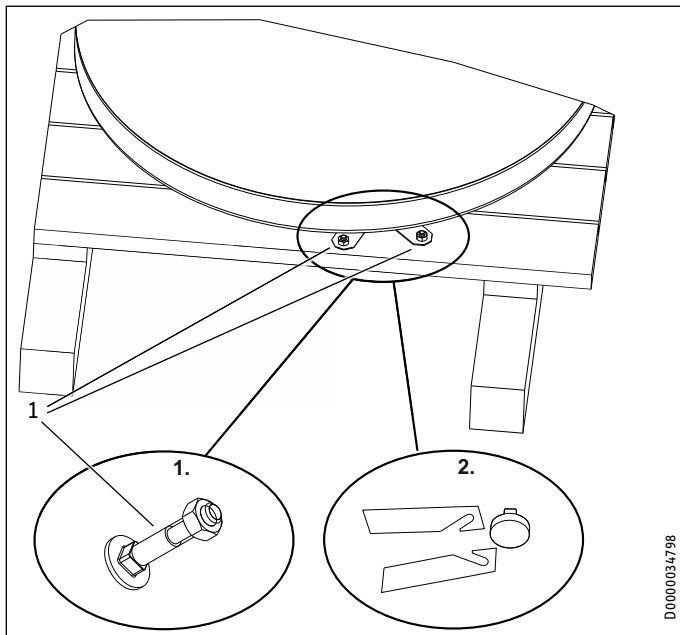
10.4 Siting the appliance

- ▶ Carefully undo the cardboard packaging at the clips.



1 Cardboard packaging clips

The appliance is secured to the pallet with metal brackets and screws. The metal brackets are hooked on to the feet underneath the floor plate of the appliance.



1 Metal bracket fixing bolt

- ▶ Remove the fixing bolts of the metal brackets from the pallet.
- ▶ Push the metal brackets a little towards the tank center, to unhook them from the appliance feet.
- ▶ Pull the metal brackets out from underneath the appliance.

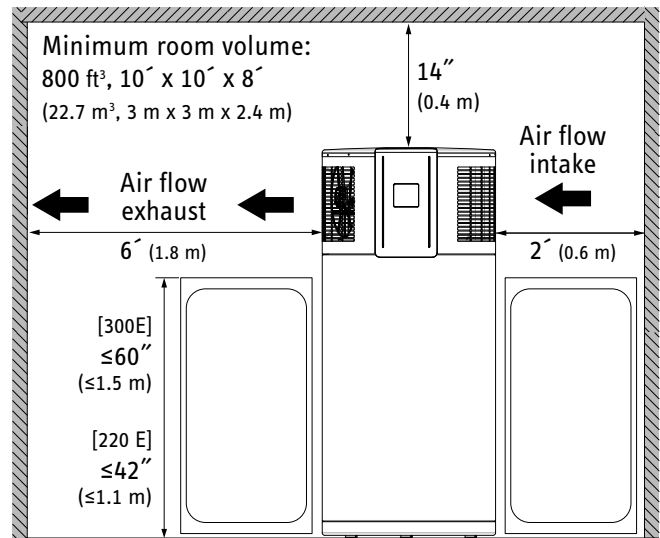


Material losses

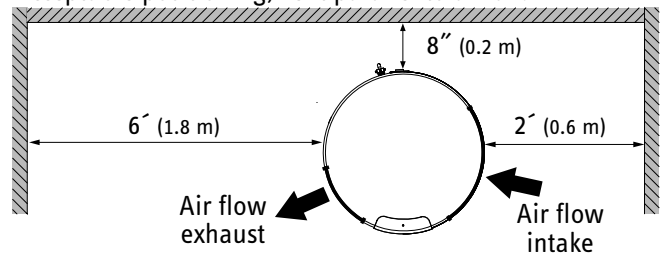
Take note of the appliance's weight and top-heaviness.

- ▶ Slightly tip the appliance and carefully roll the appliance off the pallet.
- ▶ Bring the appliance in its final location.

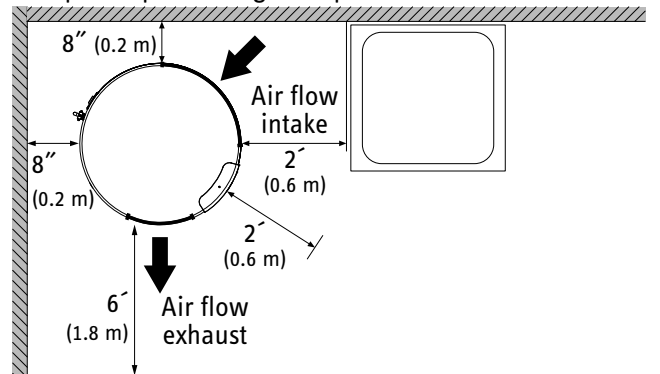
10.5 Minimum clearances



Acceptable positioning, vent parallel to a wall:



Acceptable positioning, vent parallel to a wall in a corner:



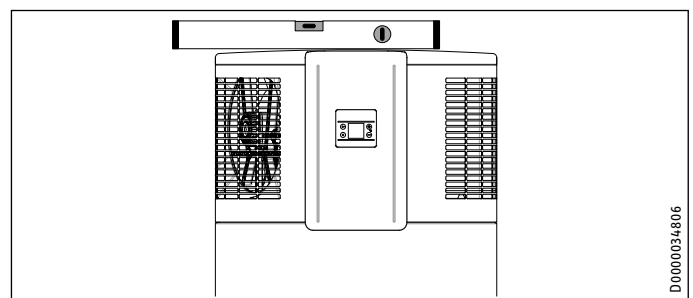
- ▶ Maintain the minimum clearances.



Material losses

The top of the appliance should be made horizontal.

- ▶ Level the appliance horizontally using the height-adjustable feet.



11. Installation



WARNING Injury
 Incorrect installation can lead to serious personal injury or material losses.
 Before any work, ensure sufficient clearances for the installation.
 Handle sharp-edged components carefully.

11.1 Water connection



Material losses
 Carry out all water connection and installation work in accordance with local plumbing regulations.



Material losses
 The corrosion protection provided by the anode can only be guaranteed when the electrical conductivity of the domestic hot water is within the limits stated in the chapter 17.3, "Data table", pg. 35.

The following material combinations are approved for pipework installations:

Cold water inlet	DHW outlet
Copper pipe	Copper pipe
Steel pipe	Steel pipe or copper pipe
PEX tubing	PEX tubing

- ▶ Thoroughly flush the pipework before connecting the appliance. Foreign bodies, such as welding pearls, rust, sand or sealant can impair the operational reliability of the appliance.



Material losses
 To protect the connection nipples against corrosion the water tube connection must be made with plumber's thread seal tape (PTFE). The use of hemp on nipple threads is not permissible due to risk of corrosion.

11.1.1 Safety valve

The appliance is a sealed unvented DHW tank. The appliance is supplied with a temperature and pressure relief valve that has been factory installed and leak-tested.

- ▶ Install a type-tested safety valve in the cold water supply line. The response pressure of the safety valve must be below or equal to the permissible operating pressure of the DHW tank.

The safety valve protects the appliance against unacceptable excess pressure.

- ▶ Ensure that the expansion water escaping from the safety valve can drip into a drain, e.g. a tank or sink.

Ensure the drain cannot be shut off.

- ▶ Size the drain in a way that water can drain off unimpeded when the safety valve is fully opened.
- ▶ Ensure that the discharge pipe of the safety valve is open to atmosphere.

- ▶ Fit the discharge pipe of the safety valve with a constant downward slope and in a room free from the risk of frost.

11.1.2 Pressure reducing valve



Note
 A 70 psi (4.8 bar) pressure reducing valve must be installed to ensure the pressure of the incoming water line never exceeds 70 psi (4.8 bar).

11.1.3 Check valve

Install a check valve in the cold water line (after the pressure reducing valve if installed). This check valve is necessary to prevent water from flowing backwards into the cold water piping.

11.1.4 Drain valve

Install a suitable drain valve at the lowest point in the cold water inlet line.

11.1.5 Thermal insulation

Insulate the DHW line against heat loss in accordance with locally applicable regulations.

11.1.6 Recirculation loop

Stiebel Eltron advises against the installation of this appliance in any recirculation loop. If a recirculation loop is required, you may plumb the return line of the recirculation loop back in through the T&P valve port of the appliance. The T&P valve may not be omitted so a Tee must be used in this configuration. Be sure that the T&P valve probe is submerged sufficiently.

Always install a recirculation loop with a thermostat cut-off or a timer. Installation without these devices will cause the appliance to run continuously, resulting in high electricity use and extended compressor run times which will reduce the life of the appliance and void the warranty.



Note
 The Accelera energy efficiency will drop when installed with a recirculation loop due to the reduction in thermal stratification of the tank. Contact Stiebel Eltron technical support for additional questions.

11.2 Condensate drain

Install a condensate drain hose to remove the condensate which forms.

- ▶ Connect the condensate drain included in the standard delivery to the "condensate drain" connection.
- ▶ Connect a condensate drain hose to the condensate drain bend.

INSTALLATION

Installation



Material losses

Ensure condensate drain cannot retain water.

- ▶ Use a condensate drain hose with a diameter greater than the diameter of the condensate drain bend.
- ▶ Ensure the condensate drain hose is not bent.
- ▶ Route the condensate drain hose with a continuous base slope.

The condensate drain must be open to the atmosphere.

- ▶ Use a suitable condensate pump if there is insufficient base slope. Observe the building characteristics.

11.3 Choosing the operation mode

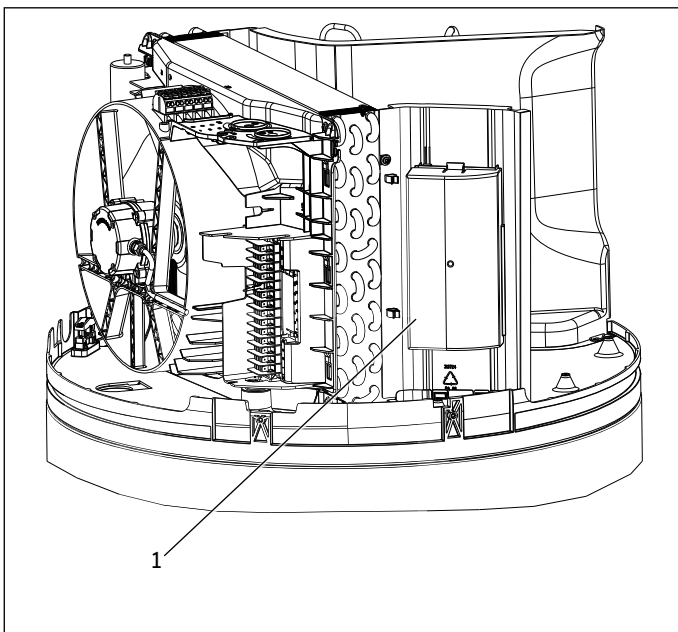
The appliance is shipped from the factory set to Automatic Mode (See 5.3, “Changing mode of operation”, pg. 15). If the appliance needs to be set to Heat Pump Only Mode this should be selected before commissioning the appliance.

To switch the active mode, the top and side covers must be removed (See 16.1, “Removing the appliance cover”, pg. 29 & See 16.2, “Removing the casing ring”, pg. 29).



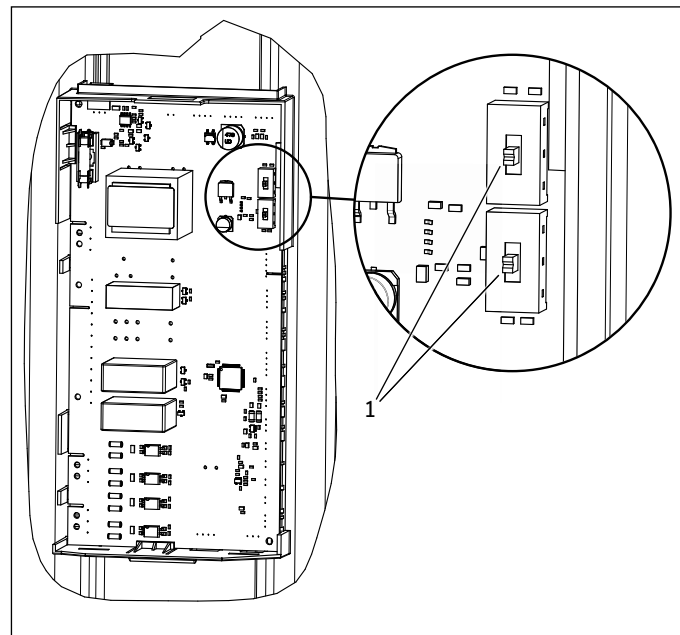
WARNING Electrocutation

Ensure that the appliance is disconnected from its power supply before changing the operation mode or performing any other service.



1 Control board cover

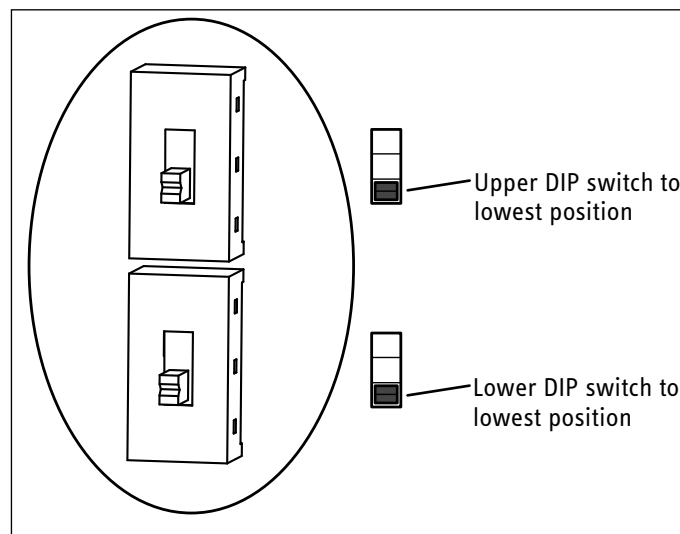
Remove the cover from the control board.



1 Operation mode DIP switches

11.3.1 Automatic Mode

The appliance comes factory set in Automatic Mode (See 5.3.1, “Automatic Mode”, pg. 15). This mode is active when the upper and lower DIP switches are both set to the lower positions.

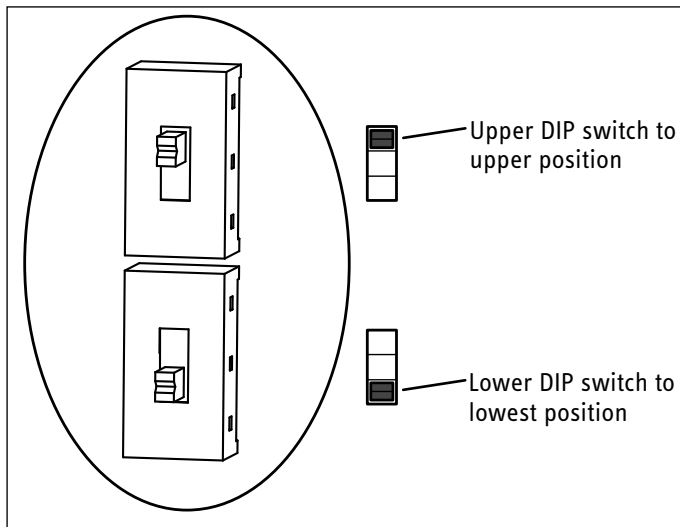


11.3.2 Heat Pump Only Mode

The appliance can be set to Heat Pump Only Mode (See 5.3.2, “Heat Pump Only Mode”, pg. 15). This mode is active when the upper DIP switch is set to the upper position and the lower DIP switch is set to the lower position.

INSTALLATION

Installation



Material losses

Never connect the appliance to the power supply before the DHW tank is filled.

11.4 Power supply



WARNING Electrocutation

Carry out all electrical connection and installation work in accordance with national and regional regulations.



WARNING Electrocutation

If the appliance is permanently connected to the power supply, ensure that the appliance can be separated from the power supply by an isolator that disconnects double terminal with at least 1/8" (4 mm) contact gap. Contactors, disconnect switches or circuit breakers can be used for this.



WARNING Electrocutation

► Observe the safety regulations to prevent contact with dangerous 'live' parts.



WARNING Electrocutation

Coming into contact with 'live' components presents a threat to life. Disconnect the appliance from the power supply before carrying out work on the control panel. Prevent the power supply from being switched on while you are working on the system.



WARNING Electrocutation

Insufficient grounding can lead to electrocution. Ensure the appliance is grounded according to locally applicable requirements.



WARNING Electrocutation

The power cable must only be replaced (for example if damaged) with an original spare part by a qualified contractor authorized by the manufacturer. For an original spare part contact Stiebel Eltron 800.582.8423 for part number 315650.



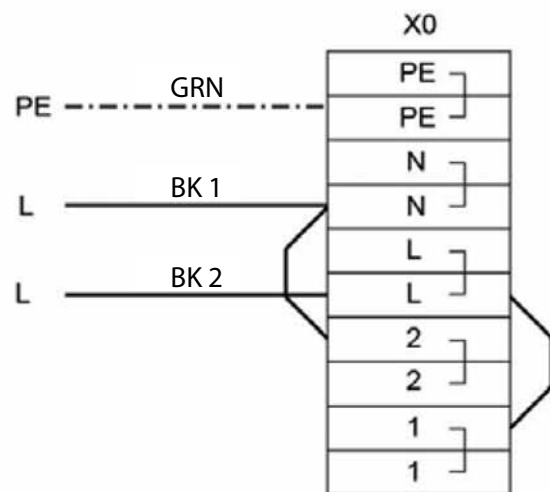
Material losses

The voltage to the appliance must match the voltage specified on the type plate.

11.4.1 Standard connection without external signal transmitter

The standard connection configuration for this appliance utilizes two load connections on terminals X0/L & X0/N with a ground connection on X0/PE. This connection requires 1 - 15 Amp double-pole Type C breaker.

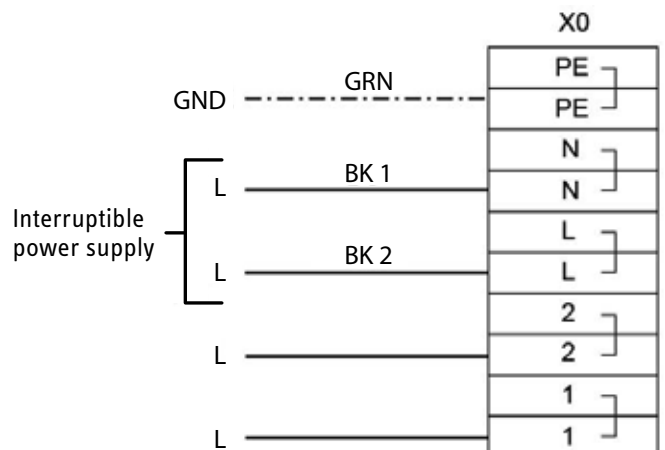
In this configuration, the appliance operates to satisfy the primary setpoint.



11.4.2 Connection with off-peak power connection

The appliance can be connected to a separate 240 V connection for a potential off-peak power source configuration. To connect this setup, two additional load connections must be wired to terminals X0/2 & X0/1. The bridges between terminals X0/N & X0/2 and between X0/L & X0/1 must be removed.

The connection on terminals X0/N & X0/L is the main connection for operation. The installer can set up to be interrupted by external means for use with a timer or off-peak operational setup. The second load connection at terminals X0/2 & X0/1 serves only to maintain corrosion protection via the electronically impressed anode during power interruption of the primary connection.



INSTALLATION

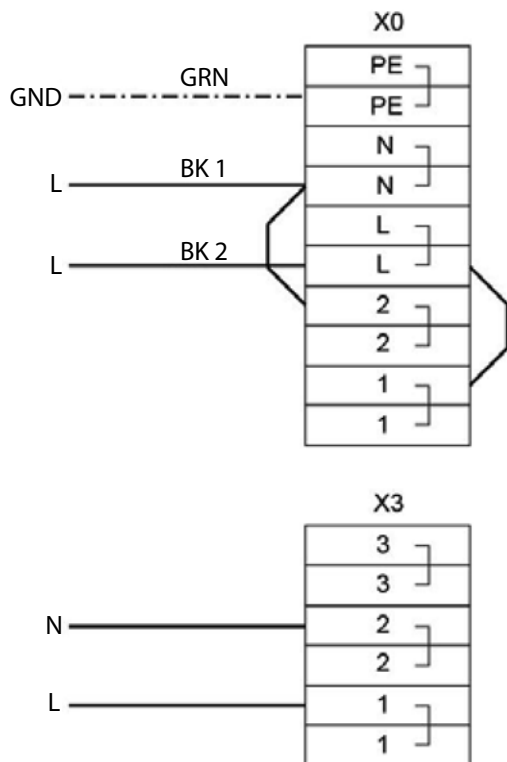
Installation

11.4.3 Connection with external signal transmitter

The appliance can be connected to an external signal in addition to the standard connection. Two wires with a 240 V potential must be connected to terminals X3/2 & X3/1. The X3 connection does not carry a significant load, and only provides an on/off signal to the appliance.

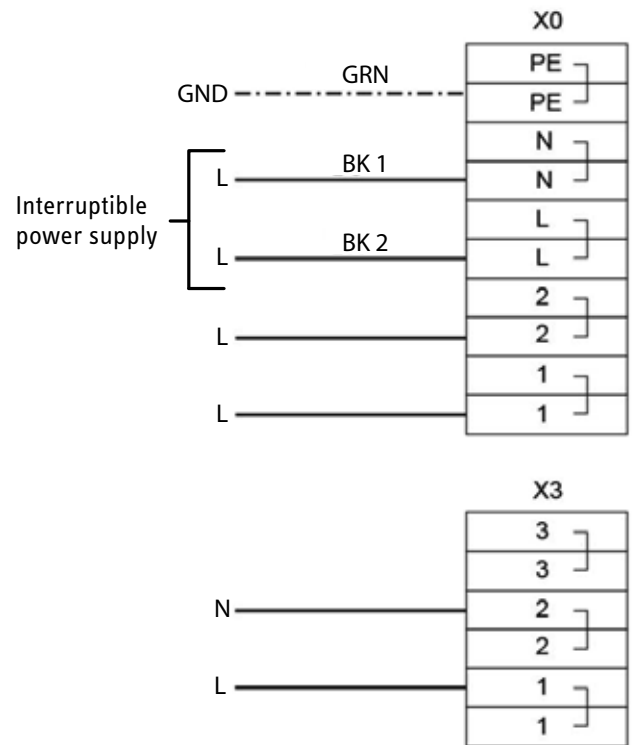
When this signal is active, the appliance will operate to satisfy the secondary setpoint instead of the primary. See 5.2.5, "Set temperature 2", pg. 14 for more information.

Following activation of the external signal (the external signal is present for at least one minute), set temperature 2 activates for at least 20 minutes.



11.4.4 Connection with off-peak and external signal transmitter

The appliance can be operated in a mode combining the external signal and the off-peak power connection. This mode would require the two load connections on the X0 terminal block and the potential-free signal on the X3 terminal block.



Note

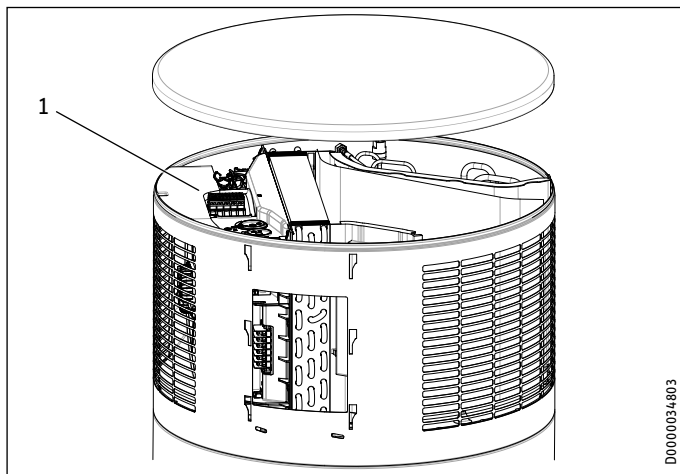
► Never wire up terminal X3/1.

INSTALLATION

Commissioning

11.4.5 Connection to terminal block X0

- ▶ Remove the appliance cover (See 16.1, "Removing the appliance cover", pg. 29).



1 Terminal X0

The appliance ships pre-wired with a cable. If the appliance needs to be re-wired, follow the steps below when reconnecting the cable.

- ▶ Prepare the leads for connection to X0 in such a manner that each lead terminating at X0 has a wire ferrule.
- ▶ Route leads through the strain relief.
- ▶ Connect the leads to X0 (see chapter "See 11.4.3, "Connection with external signal transmitter", pg. 26).

11.5 Assembling the appliance



Note

Refit the appliance cover after completing your work. See chapter "See 16.10, "Fitting the appliance cover", pg. 31).

12. Commissioning

12.1 Commissioning



Material losses

Never connect the appliance to the power supply before the DHW tank is filled.



Note

After an interruption of the power supply, compressor operation remains blocked for at least one minute to allow the electronic main board to initialize.

If the compressor subsequently fails to start, it may be disrupted by additional safety devices (Klixon and high pressure switch). This interruption due to the compressor motor klixon is terminated automatically.

If the high pressure switch responds, it can be manually reset after the pressure is less than 246 psi (17 bar). This normally occurs 5 minutes after responding.

12.1.1 Filling the DHW tank

Fill the DHW tank and vent the pipework by following the procedure below:

- ▶ Close the drain valve.
- ▶ Open all DHW tap points and the shut-off valve in the cold water supply.
- ▶ Close the DHW tap points as soon as water starts to emerge from them.

12.1.2 Settings / function check

- ▶ To check the function, select the maximum set temperature.

A higher set temperature allows for more mixed water but lower efficiency. A lower set temperature is more efficient but less mixed water is available. Never reduce the set temperature below 122 °F (50 °C) to reduce problems with legionella.

12.1.3 Appliance handover

- ▶ Explain the appliance function to users and familiarize them with its operation.
- ▶ Make users aware of potential dangers, especially the risk of scalding.
- ▶ Make users aware of critical environmental factors and requirements concerning the installation location.
- ▶ Inform users that water may drip from the safety valve during the heating operation.
- ▶ Hand over these operating and installation instructions to users for safe-keeping.

12.2 Recommissioning

If the appliance is switched off due to an interruption to the power supply, no specific measures for restarting are required once the power supply has been restored. The appliance has saved the parameters most recently set and continues operating with these.

If the comfort heating function was active before interruption of the power supply, this is reactivated once the power supply has been established again.

13. Settings

■ Service menu

Accessing service menu via code entry



▶ Press the "Menu" key for longer than 3 s. The software version number of the controller PCB appears.

Display	Version number
310	3.1.00



▶ To display the software version number of the programming unit PCB, press the "Plus" key.

Display	Version number
-130	1.3.00



▶ To go to code entry, press the "Minus" key.

To go from the software version number of the controller PCB directly to code entry, press the "Minus" key.



▶ To go to code digit scanning, press the "Rapid heat-up" key. The currently active digit flashes.

▶ Set the first digit using the "Plus" and "Minus" keys.



▶ To set the next digit, press the "Rapid heat-up" key.

To confirm the code after entering all digits, press the "Rapid heat-up" key.

■ Service menu

- Integral sensor offset
- Adjust cylinder volume
- Compressor lockout due to evaporator fault
- Clear high pressure lockout
- Clear low pressure lockout
- Temperature of evaporator fins
- Number of defrost faults
- Number of low pressure triggers
- Number of high pressure triggers
- Integral sensor replacement
- Set value limit

The parameters in this menu are reserved for qualified contractors.

14. Shutting down



Material losses

If the appliance is disconnected from the power supply, it is no longer protected against frost.

- ▶ Only disconnect the appliance from the power supply for longer periods if you are also draining the DHW tank.

If there is no usage of hot water for a long period of time, always drain the DHW tank. See chapter "See 16.4, "Draining the tank", pg. 30".

The appliance can only be switched off by interrupting the power supply.

- ▶ Pull the plug from the socket or disconnect the circuit breaker to the appliance.

15. Troubleshooting



WARNING Risk of electrocution

Prior to all work on the appliance, turn off all power to it.

- ▶ For work inside the appliance, remove the appliance cover (See 16.1, "Removing the appliance cover", pg. 29).
- ▶ If necessary, remove the upper section of the casing jacket (See 16.2, "Removing the casing ring", pg. 29).



Note

Refit the casing ring after completing the work. See 16.9, "Fitting the casing ring", pg. 31.



Note

Refit the appliance cover after completing your work. See 16.10, "Fitting the appliance cover", pg. 31.

15.1 Fault table

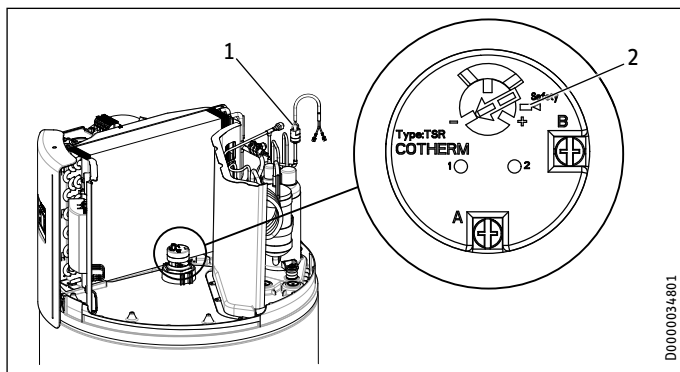
Fault	Cause	Remedy
The appliance switches off unexpectedly and does not switch on again.	Excessive pressure in the refrigerant circuit. The safety pressure limiter has responded. The compressor has been switched off.	Eliminate the cause of the increase in pressure in the refrigerant circuit. Wait approx. 5 to 15 minutes for the appliance to equalize the pressure. Reset the safety pressure limiter (See 15.2, "Resetting the safety pressure limiter", pg. 29).
The compressor switches off unexpectedly.	The appliance is operated outside the operation limit. The ambient temperature is higher than the permissible value. The safety pressure limiter has responded.	Ensure that the operation limit is observed. Wait approx. 5 to 15 minutes for the appliance to equalize the pressure. Reset the safety pressure limiter (See 15.2, "Resetting the safety pressure limiter", pg. 29).
	The thermal load of the compressor has been exceeded. The motor overload relay has responded.	Remedy the cause of the high thermal load. Wait until the appliance restarts.

Fault	Cause	Remedy
The appliance generates less heat.	An inadequate air flow across the evaporator may be a possible cause.	Check whether the fan is contaminated. Check whether the evaporator is contaminated. Ensure that supply and extract air flow are unimpeded.

For explanations of the fault codes, See 7.1, "Fault codes", pg. 18.

15.2 Resetting the safety pressure limiter

The safety pressure limiter shuts down the compressor if the pressure inside the refrigerant circuit exceeds the permissible maximum value. The safety pressure limiter may also respond if the appliance is operated above its permissible application limit or the temperature controller of the heat pump fails to respond.



- 1 Reset button for safety pressure limiter
- 2 Reset button for high limit safety cut-out

► After removing the cause of the fault, reset the safety pressure limiter by pressing the reset button.

15.3 Resetting the high limit safety cut-out

The high limit safety cut-out protects the appliance from overheating. The electric booster element switches off when the tank water temperature exceeds $189 \pm 10^\circ\text{F}$ ($87 \pm 5^\circ\text{C}$).

Once the cause of the fault has been removed, press the reset button of the high limit safety cut-out on the rod thermostat. To do so, remove the appliance cover.

15.4 Motor overload relay

In the event of excessive thermal load of the compressor, the motor overload relay switches the compressor off.

► Remove the cause.

After a short cooling period, the motor overload relay will restart the compressor automatically.

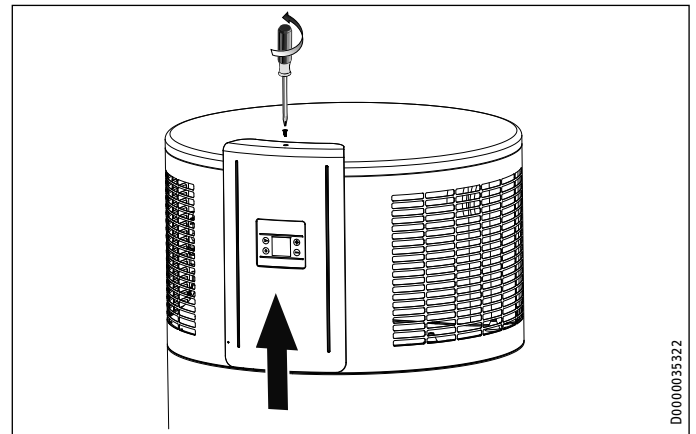
16. Maintenance and cleaning



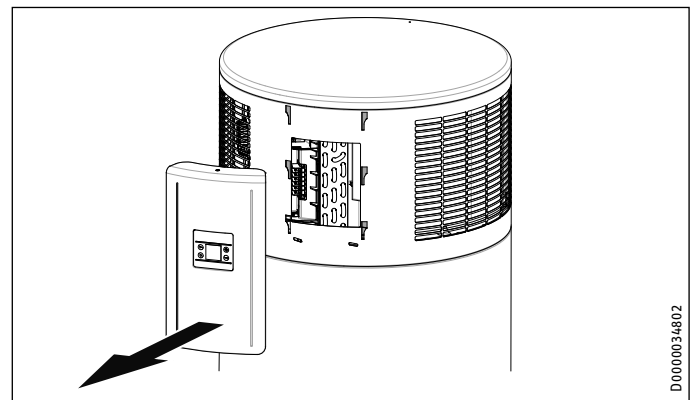
WARNING Electrocutation

Prior to all work on the appliance, turn off all power to it.

16.1 Removing the appliance cover



- Undo the screw (Torx) that fastens the control panel and the appliance cover to the appliance.
- Push the control panel upwards.



- Remove the control panel.
- A lead connects the operating controls to the appliance ECB. If necessary, pull the plug from the back of the control panel to fully remove the control panel.
- Carefully lift away the appliance lid and undo the ground wire that runs from the appliance control panel to the cover.



Note

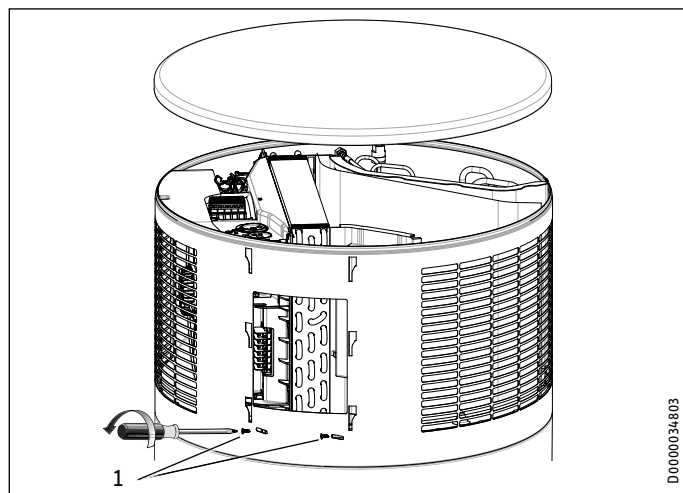
Refit the appliance cover after completing your work. See 16.10, "Fitting the appliance cover", pg. 31.

16.2 Removing the casing ring



Note

If you require more space to work inside the appliance, you can remove the casing on the upper section of the appliance.



1 Fixing screws on casing ring

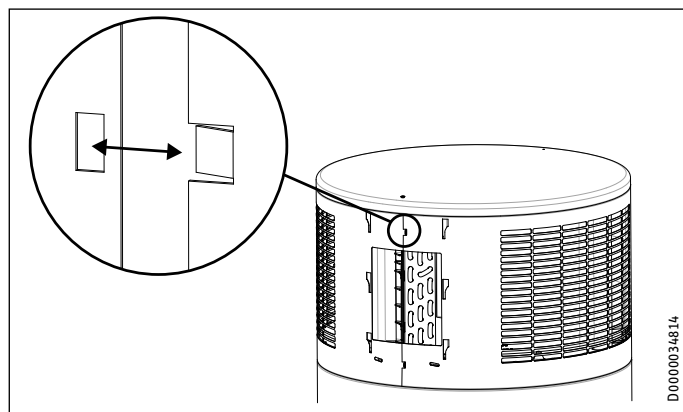
The casing ring is fastened with screws.

- ▶ Undo the fixing screws on the casing (1).
- ▶ Remove the condensate drain bend and pipe collar of the drain. Turn counter-clockwise to undo.
- ▶ If there is slack in the power cable, feed the slack into the housing to allow for removal.
- ▶ If necessary, remove the cables from the X0 terminal block so as to set aside the casing ring.



Material losses

A ground wire is connected to the inside of the casing ring. The casing can only be removed after the ground wire has been detached.



The casing ring overlaps along the joint. A tab on one end clips into the recess on the other end of the casing ring.

- ▶ Ease the casing ring apart, until it can be removed or slid downwards.



Note

Refit the casing ring after completing the work. See 16.9, "Fitting the casing ring", pg. 31

16.3 Cleaning the evaporator



WARNING Injury

The evaporator consists of numerous sharp-edged fins. Be careful while cleaning the evaporator and wear protective clothing, especially safety gloves.

The evaporator fins are coated with a hydrophilic coating to reduce corrosion and to eliminate surface tension on condensed water droplets. This creates a self-cleaning action so minimal cleaning is necessary. Nevertheless, the evaporator should still be checked for contamination and corrosion and cleaned as necessary.

Undo the screw that secures the appliance cover at the upper side of the control panel.

- ▶ Remove the control panel and the appliance cover.
- ▶ Carefully clean the evaporator fins. Use water and a soft brush for this. Never use acidic or alkaline cleaning agents.

16.4 Draining the tank



WARNING Burns

Hot water may escape when draining the DHW tank.

To drain the DHW tank, e.g. when shutting the appliance down, proceed as follows:

- ▶ Unplug the appliance from the power supply.
- ▶ Close the shut-off valve in the cold water supply line.

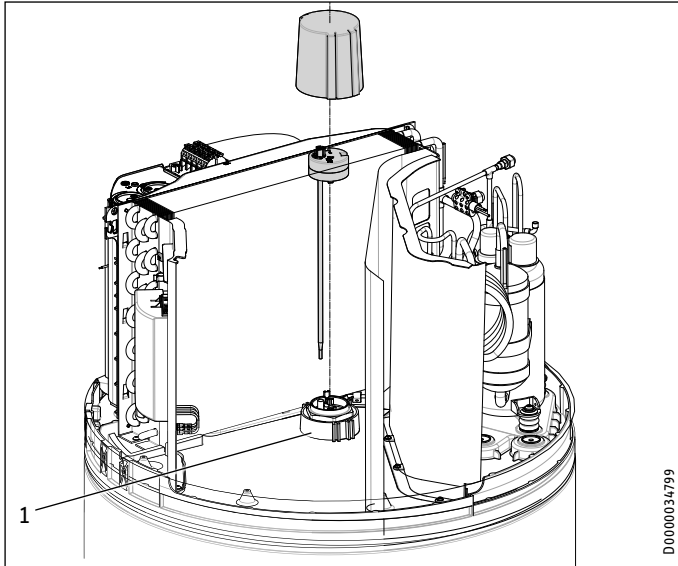
The DHW tank is drained via the cold water supply line.

- ▶ Open the drain valve installed in the cold water supply line (See 11.1, "Water connection", pg. 23). If no drain valve has been installed, undo the cold water supply line at the "cold water inlet" connection.
- ▶ Open one tap in one sink.

Some residual water will remain in the lower section of the DHW tank.

16.5 Descaling the electric booster element

Only descale the flange of the electric booster element after removing it, and never treat the interior of the DHW tank and the impressed current anode with descaling agents. The electric booster element is screwed into the appliance at a central point at the top.



1 Electric booster element with protective anode

16.6 Protective anode

The flange of the electric booster element is equipped with a protective anode that protects the appliance from corrosion while it is connected to the power supply. The protective anode is a maintenance-free impressed current anode.

If a fault code in the display indicates that the protective anode is faulty, proceed as follows:

- ▶ Remove the controller of the electric booster element.
- ▶ Check the protective anode connector and its wiring.
- ▶ Refit the controller of the electric booster element.

16.7 Valves

Regularly check the system's valves (safety valve, pressure reducing valve, drain valve, vacuum breaker, mixing valve), to ensure the operational reliability of the appliance. The amount of lime-scale deposits depends on local water quality.

- ▶ Check all valves in the system and remove lime-scale deposits.
- ▶ Replace the valves if necessary.
- ▶ Check the function of the valves.

16.8 Replacing the power cable



WARNING Electrocutation

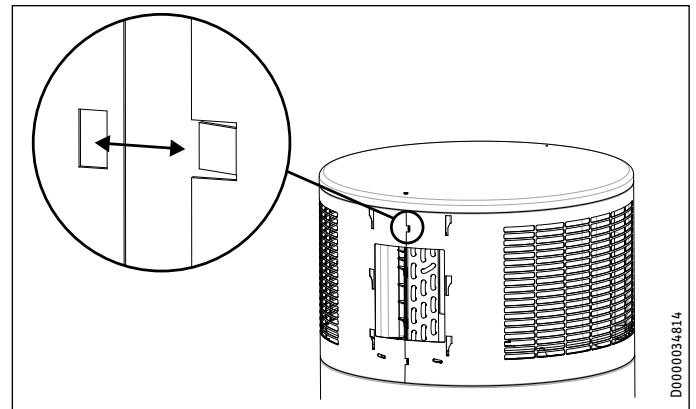
If the power cable is faulty, replace it with a new one. The power cable should only be replaced by a qualified contractor. Please contact Stiebel Eltron at 800.582.8423

16.9 Fitting the casing ring



WARNING Electrocutation

▶ Reconnect the ground wire to the casing ring.



- ▶ Fit the upper casing ring. The casing ring overlaps along the joint. A tab on one end clips into the recess on the other end of the casing ring.
- ▶ Secure the casing ring with fixing screws.
- ▶ Fit the pipe collar of the condensate drain and the condensate drain bend.

16.10 Fitting the appliance cover



WARNING Electrocutation

▶ Reconnect the ground wire to the appliance cover.

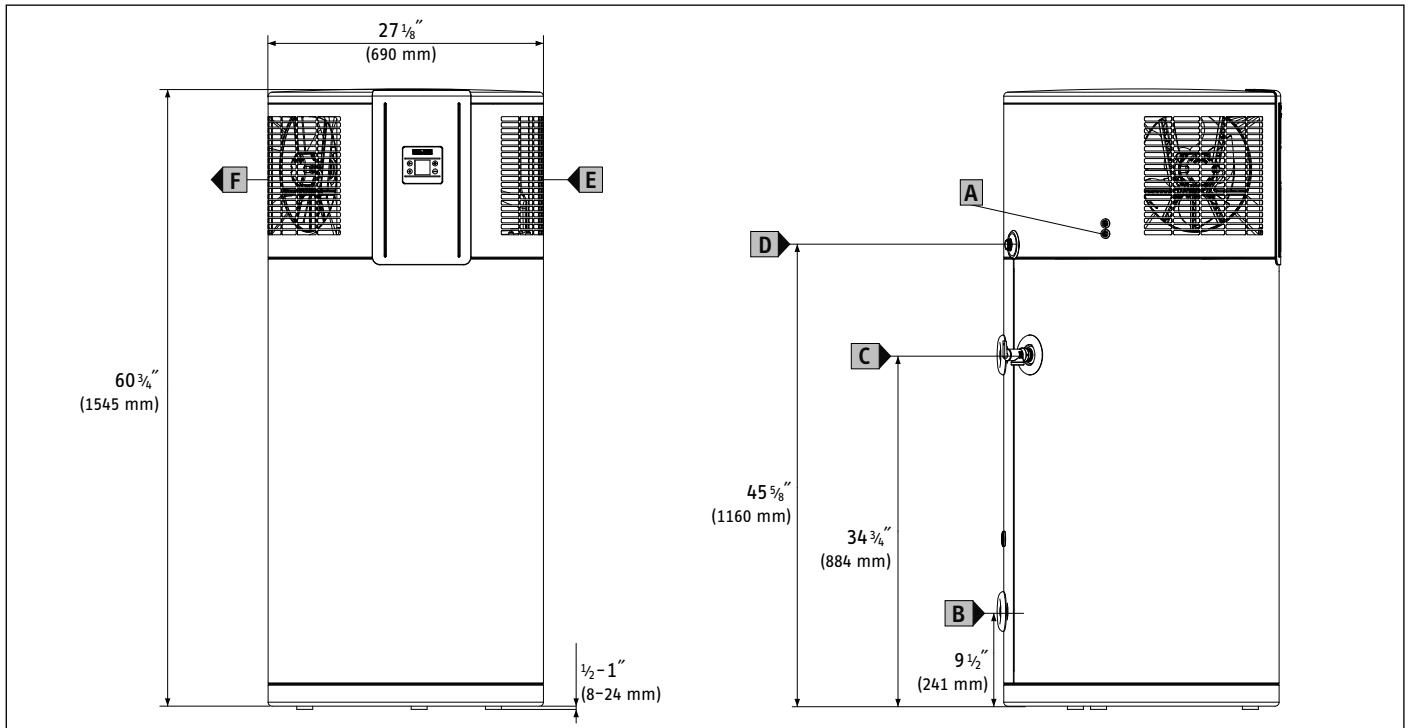
- ▶ Place the lid back on the appliance top.
- ▶ Connect the ground cable to the signed ground terminal.
- ▶ Connect the cable linking the control with the appliance ECB to the back of the panel.
- ▶ Insert the control panel.
- ▶ Secure the appliance cover and the control panel using the screw at the top of the control panel.

INSTALLATION Specification

17. Specification

17.1 Dimensions and connections

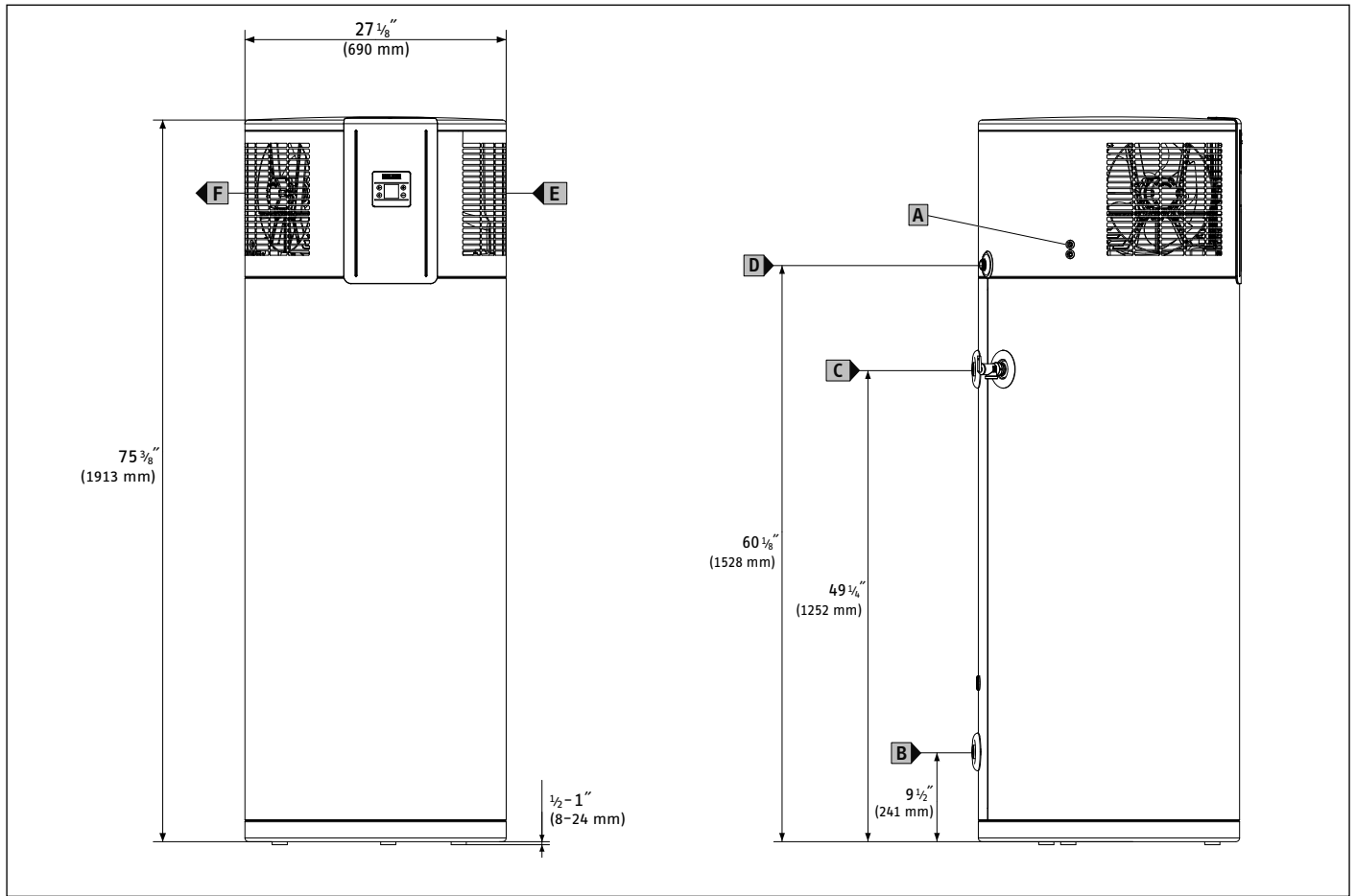
17.1.1 Accelera® 220 E



Accelera® 220 E			
A	Electrical cables entry		
B	Cold water inlet	Male thread	1" NPT
C	DHW outlet	Male thread	1" NPT
D	Condensate drain	Male thread	3/4" R to 1/2" barbed elbow
E	Air intake		
F	Air discharge		

INSTALLATION Specification

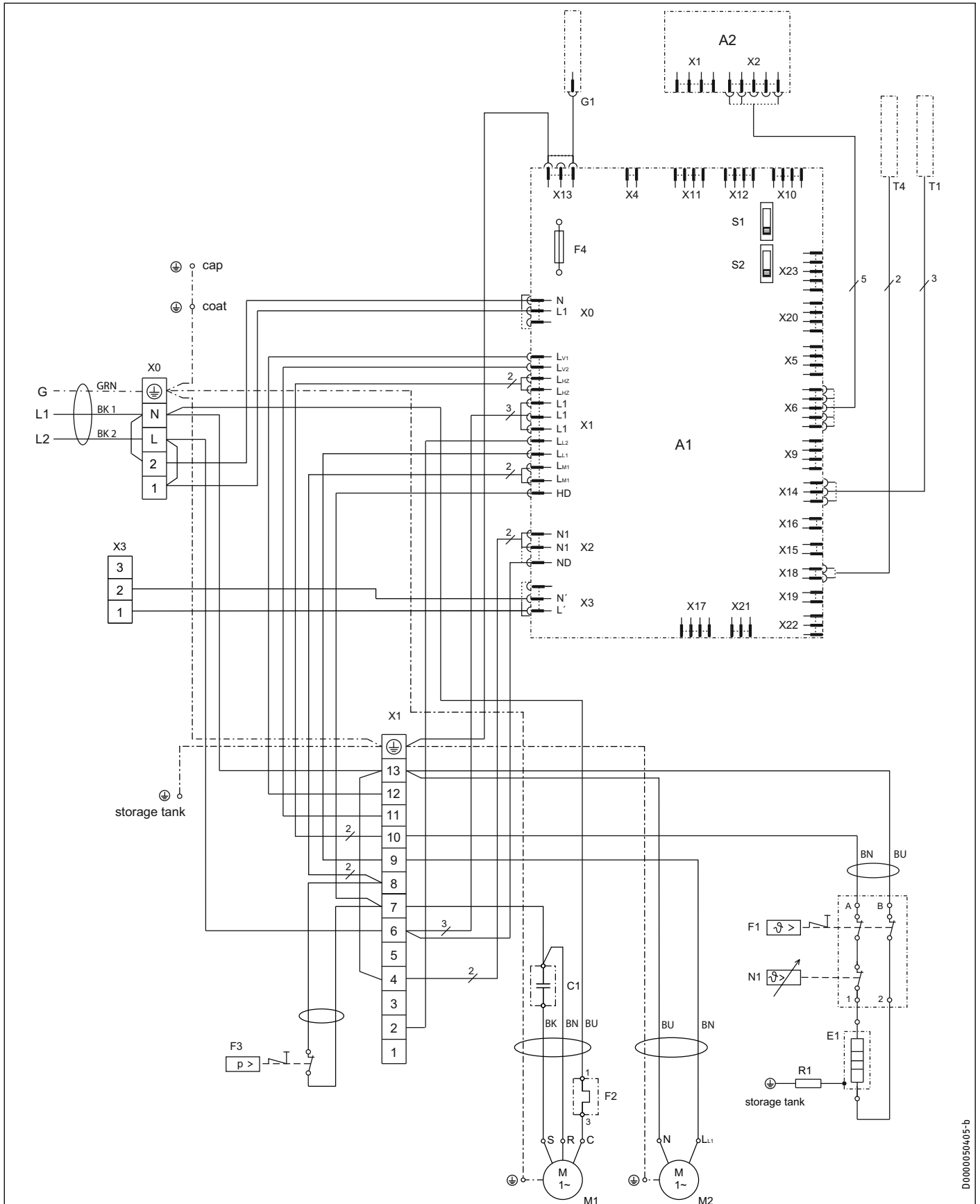
17.1.2 Accelera® 300 E



Accelera® 300 E		
A	Electrical cable entry	
B	Cold water inlet	Male thread 1" NPT
C	DHW outlet	Male thread 1" NPT
D	Condensate drain	Male thread $\frac{3}{4}''$ R to $\frac{1}{2}''$ barbed elbow
E	Air intake	
F	Air discharge	

INSTALLATION Specification

17.2 Wiring diagram



D0000050405-b

INSTALLATION Specification

A1	Electronic assembly, control unit	M2	Fan
A2	Electronic assembly, programming unit	N1	Thermostat TSR, 149 °F ±8 (65 °C ±5)
C1	Capacitor	R1	Resistor 380 Ohm
E1	Heating element, 1.5 kW	S1	DIP-switch, operating mode
F1	High limit safety cut-out TSR, 189 °F ±8 (87 °C ±5)	S2	DIP-switch
F2	Motor overload relay M1	T1	Temperature sensor, dome/integral
F3	High pressure switch, 348 psi (24 bar)	T4	Temperature sensor, evaporator
F4	Fuse	X0	Mains terminal
G1	Impressed current anode	X1	Internal terminals
M1	Compressor	X3	Terminal



Material losses

If X0/2 is connected, the power supply to the appliance must be a permanent connection (See 11.4.3, "Connection with external signal transmitter", pg. 26). Never interchange L1 and N.



Note

▶ Never wire up terminal X0/1.

17.3 Data table

	Accelera® 220 E 233058	Accelera® 300 E 233059
Hydraulic data		
Nominal capacity	58 gal (220 l)	79.8 gal (302 l)
Application limits		
Maximum DHW temperature	149 °F (65 °C)	
Heat source min./max. application limits	42–108 °F (6–42 °C)	
Min. clearance in front of air intake & air discharge grill	15 3/4 in (400 mm)	
Minimum clearance above the appliance	13 3/4 in (350 mm)	
Min. installation room floor area	64.6 ft² (6 m²)	
Min. installation room volume	800 ft³ (22.7 m³)	
Max. permissible operating pressure, cold water/DHW	116 psi (0.8 MPa)	
Min./max. conductivity, drinking water	100–1500 µS/cm	
Output details		
Nominal DHW temperature	131–149 °F (55–65 °C)	
Maximum available amount of DHW at 104 °F (40 °C)	91.7 gal (347 l)	108.9 gal (412 l)
Heat-up time, 59 °F (15 °C) ambient air temperature	8.7 hr	8.83 hr
Heat-up time, 44 °F (7 °C) ambient air temperature	11.99 hr	12.52 hr
Power consumption, standby period [EN 16147 / A15]	174 Btu/hr (0.051 kW)	96 Btu/hr (0.028 kW)
Power consumption, standby period [EN 16147 / A7]	212 Btu/hr (0.062 kW)	136 Btu/hr (0.040 kW)
Heating output		
Average heating output [EN 16147 / A15]	5528 Btu/hr (1.62 kW)	5596 Btu/hr (1.64 kW)
Average heating output [EN 16147 / A7]	3992 Btu/hr (1.17 kW)	4368 Btu/hr (1.28 kW)
Power consumption		
Average heat pump power consumption with 59 °F (15 °C) air	1877 Btu/hr (0.55 kW)	2047 Btu/hr (0.60 kW)
Average heat pump power consumption with 44 °F (7 °C) air	1808 Btu/hr (0.53 kW)	1808 Btu/hr (0.53 kW)
Max. heat pump power consumption [excluding start-up]	2216 Btu/hr (0.65 kW)	2216 Btu/hr (0.65 kW)
Power consumption, booster element	5115 Btu/hr (1.50 kW)	5115 Btu/hr (1.50 kW)
Max. power consumption heat pump + booster element	7331 Btu/hr (2.15 kW)	7331 Btu/hr (2.15 kW)
Energy Star		
Energy Factor	3.05	3.39
First hour rating	50.3 gal (190.4 l)	75.1 gal (284.3 l)
DOE estimated annual energy usage	1406 kWh/year	1289 kWh/year
Electrical data		
Power connection	L1,L2,G / 220–240 V / 60/50 Hz	
Max. operating current	8.54 A	
Max. starting current	23.44 A	
Required circuit breaker	15 A, Type C	

INSTALLATION Specification

	Accelera® 220 E	Accelera® 300 E
Sound data*		
Sound power level [EN 12102]	60 dB(A)	
Sound pressure level at 3.3 ft (1 m)	45 dB(A)	
Miscellaneous		
IP rating	IP24	
Refrigerant	R134a	
Refrigerant capacity	1.9 lb (0.85 kg)	2.0 lb (0.90 kg)
Global warming potential of refrigerant (GWP100)	1430	
CO ₂ equivalent (CO ₂ e)	1216 t	
Power cable length approx.	78 ³ / ₄ in (2000 mm)	
Dimensions		
Height	60 ⁷ / ₈ in (1545 mm)	75 ¹ / ₄ in (1913 mm)
Diameter	27 ¹ / ₈ in (690 mm)	
Height when tilted	66 ⁵ / ₈ in (1692 mm)	80 ¹ / ₈ in (2034 mm)
Height when tilted incl. packaging	74 ⁵ / ₈ in (1895 mm)	87 ³ / ₄ in (2230 mm)
Packing unit dimensions [Height x Width x Depth]	68 ¹ / ₂ in (1740 mm) x 29 ¹ / ₈ in (740 mm) x 29 ¹ / ₈ in (740 mm)	82 ⁵ / ₈ in (2100 mm) x 29 ¹ / ₈ in (740 mm) x 29 ¹ / ₈ in (740 mm)
Weights		
Empty weight	264.5 lb (120 kg)	297.6 lb (135 kg)
Full weight	748.5 lb (339.5 kg)	956.6 lb (433.9 kg)
Miscellaneous values		
Hourly standby losses	70.4 Btu/hr (21 W)	87 Btu/hr (25 W)
Type of anode	Impressed current anode	
Air flow rate	324 cfm (550 m ³ /h)	

The output details refer to new appliances with clean heat exchangers. Nominal data to EN 16147 / Heat pump for recirculated air.

* Sound Power Level measures the sound energy emitted by a source. Sound Pressure Level (SPL) measures the sound level (loudness) at a distance from the source. SPL varies depending on the acoustic environment and the accuracy of the measurement device.

18. Warranty

LIMITED WARRANTY

Subject to the terms and conditions set forth in this limited warranty, Stiebel Eltron, Inc. (the "Manufacturer") hereby warrants to the original purchaser (the "Owner") that each Heat Pump Water Heater (the "Heater") shall be free from defects in the Manufacturer's materials or workmanship for a period of:

1. (10 Years) from the date of purchase for single family residential installations
2. (1 Year) from the date of purchase for all other installations
3. (Excluded) sacrificial or electronic anode

As Owner's sole and exclusive remedy for the above warranty, Manufacturer shall, at the Manufacturer's discretion, either factory repair or replace the defective Heater with a replacement unit or part(s) with comparable operating features. Manufacturer's maximum liability under all circumstances shall be limited to the Owner's purchase price for the Tank.

This limited warranty shall be the exclusive warranty made by the Manufacturer and is made in lieu of all other warranties, express or implied, whether written or oral, including, but not limited to warranties of merchantability and fitness for a particular purpose. Manufacturer shall not be liable for incidental, consequential or contingent damages or expenses arising directly or indirectly from any defect in the Heater or the use of the Heater. Manufacturer shall not be liable for any water damage or other damage to property of Owner arising, directly or indirectly, from any defect in the Heater or the use of the Heater. Manufacturer alone is authorized to make all warranties on Manufacturer's behalf and no statement, warranty or guarantee made by any other party shall be binding on Manufacturer.

Manufacturer shall not be liable for any damage whatsoever relating to or caused by:

1. any misuse or neglect of the Heater, any accident to the Heater, any alteration of the Heater, or any other unintended use;
2. acts of God and circumstances over which Manufacturer has no control;
3. installation of the Heater other than as directed by Manufacturer and other than in accordance with applicable building codes;
4. improper installation and/or improper materials used by any installer and not relating to defects in parts or workmanship of Manufacturer;
5. failure to maintain the Heater or to operate the Heater in accordance with the Manufacturer's specifications;

6. failed components not originally installed by the Manufacturer as a part of the unit at the time of sale;
7. exposure to freezing conditions;
8. exposure to harmful chemicals, contaminated water, corrosive fluids or corrosive atmosphere;
9. installing the Heater in a closed system without a properly sized and installed thermal expansion tank;
10. operating the Heater without the factory installed electronically impressed anode rod, or sacrificial anode;
11. replacing the electric heating element with a unit not manufactured by Stiebel Eltron or greater in power than the originally installed element;
12. connecting the Heater to improper voltage or service;
13. operating the Heater under fluctuating or excessive water pressure or in the event the Heater is supplied with non-potable water for any duration;
14. operating the unit when it is empty or partially full of potable water;
15. installing and operating the Heater outdoors;
16. operating the Heater at temperatures higher than recommended by Manufacturer;
17. not properly draining the unit during power outages lasting longer than two days;

Should Owner wish to return the Heater to manufacturer for repair or replacement under this warranty, Owner must first secure written authorization from Manufacturer. Owner shall demonstrate proof of purchase, including a purchase date, and shall be responsible for all removal and transportation costs. If Owner cannot demonstrate a purchase date this warranty shall be limited to the period beginning from the date of manufacture stamped on the Heater. Manufacturer reserves the right to deny warranty coverage upon Manufacturer's examination of the Heater. This warranty is restricted to the Owner and cannot be assigned.

Some States and Provinces do not allow the exclusion or limitation of certain warranties. In such cases, the limitations set forth herein may not apply to the Owner. In such cases this warranty shall be limited to the shortest period and lowest damage amounts allowed by law. This warranty gives you specific legal rights and you may also have other rights which vary from State to State or Province to Province.

Owner shall be responsible for all labor and other charges incurred in the removal or repair of the Heater in the field. Please also note that the Heater must be installed in such a manner that if any leak does occur, the flow of water from any leak will not damage the area in which it is installed.

Environment and recycling

Please help us protect the environment. Dispose of the appliance and its packaging in accordance with national regulations.

KYOTO | R134a

This device is filled with refrigerant R134a. Refrigerant R134a is a CFC greenhouse gas mentioned in the Kyoto protocol with a global greenhouse potential (GWP100) = 1430. Never release refrigerant R134a to atmosphere.

This Warranty is valid for U.S.A. & Canada only. Warranties may vary by country. Please consult your local Stiebel Eltron Representative for the Warranty for your country.

ACCELERA® 220/300 E: GUÍA RÁPIDA DE INICIO	40	11. Instalación	59
FUNCIONAMIENTO	43	11.1 Conexión de tuberías	59
1. Información general	43	11.2 Drenaje de condensado	60
1.1 Instrucciones de seguridad	43	11.3 Cambios en el modo de operación	61
1.2 Otras marcas presentes en este documento	43	11.4 Suministro eléctrico	62
1.3 Unidades de medida	43	11.5 Ensamblaje del artefacto	64
1.4 Datos de salida estandarizados	43	12. Puesta en marcha	64
2. Seguridad	43	12.1 Puesta en marcha	64
2.1 Uso correcto	43	12.2 Reinicio	64
2.2 Uso incorrecto	44	13. Ajustes	64
2.3 Instrucciones generales de seguridad	44	14. Apagado	65
2.4 Designación ETL	45	15. Resolución de problemas	65
2.5 Rótulos del artefacto	45	15.1 Tabla de fallas	65
3. Registre su producto	47	15.2 Reinicio del limitador de presión de seguridad	65
4. Descripción del artefacto	47	15.3 Reinicio después del corte de seguridad por exceso del límite de temperatura	66
4.1 Principio de funcionamiento de la bomba eléctrica de calor	47	15.4 Relé de sobrecarga del motor	66
4.2 Calentamiento del tanque de agua	48	16. Limpieza y mantenimiento	66
4.3 Funcionamiento del artefacto fuera de los límites de aplicación	48	16.1 Remoción de la cubierta del artefacto	66
4.4 Protección contra la escaracha	49	16.2 Remoción del anillo de la cubierta	67
4.5 Descongelación	49	16.3 Limpieza del evaporador	67
4.6 Tiempo mínimo de funcionamiento y tiempo mínimo de pausa	49	16.4 Drenaje del tanque	67
5. Configuración	49	16.5 Limpieza del depósito de cal del calentador eléctrico de refuerzo	67
5.1 Indicador y controles	49	16.6 Ánodo protector	68
5.2 Ajustes	50	16.7 Válvulas	68
5.3 Cambios en el modo de operación	52	16.8 Reemplazo del cable eléctrico	68
5.4 Visualización de los códigos de fallas	52	16.9 Instalación del anillo de la cubierta	68
5.5 Tecla de calentamiento rápido	52	16.10 Colocación de la cubierta del artefacto	68
5.6 Apagado de emergencia	53	17. Especificaciones	69
6. Cuidado y mantenimiento	53	17.1 Dimensiones y conexiones	69
7. Resolución de problemas	53	17.2 Diagrama de cableado	71
7.1 Códigos de fallas	54	17.3 Tabla de datos	72
INSTALACIÓN	56	18. Garantía	74
8. Seguridad	56		
8.1 Instrucciones generales de seguridad	56		
8.2 Instrucciones, normas y regulaciones	56		
8.3 Uso incorrecto	56		
8.4 Calificaciones	56		
9. Descripción del artefacto	56		
9.1 Entrega común	56		
9.2 Accesorios requeridos	56		
9.3 Accesorios adicionales	56		
10. Preparativos	56		
10.1 Transporte	56		
10.2 Almacenamiento	57		
10.3 Lugar de instalación	57		
10.4 Colocación del artefacto	58		
10.5 Distancias mínimas	59		

Este manual incluye información importante sobre el manejo seguro y eficiente del calentador de agua. Mantenga este manual junto con el calentador de agua en todo momento.

Los trabajos solo deben ser efectuados por un instalador autorizado que haya leído y comprenda estas instrucciones. Deben seguirse todos los códigos federales, estatales y locales. No hacerlo puede llevar a fallas en el equipo, lesiones graves o la muerte.

Mientras trabaja en el calentador de agua, desconecte el suministro eléctrico.

Las ilustraciones presentes en estas instrucciones están diseñadas para facilitar la comprensión general, y pueden no coincidir con la versión real del calentador de agua. No se aceptarán reclamos respecto de esas instalaciones.

Responsabilidad limitada:

Hemos recopilado todos los detalles y la información de este manual en consideración de todas las normas y regulaciones pertinentes, la tecnología de vanguardia y nuestros amplios conocimientos y experiencia.

No seremos responsables de las pérdidas en las que se incurrieren por:

- El incumplimiento de estas instrucciones
- El uso incorrecto
- La instalación del calentador de agua realizada por personal no calificado
- Modificaciones no permitidas
- Uso de repuestos no autorizados

Para más información sobre la responsabilidad, véase la sección de la garantía en el dorso de este manual.

Copyright:

Estas instrucciones de uso e instalación están sujetas a copyright.

La transferencia de estas instrucciones a terceros, la copia de cualquier tipo, ya sea parcial o total, el uso de dicha copia y/o la transferencia de su contenido se encuentran prohibidos sin nuestro permiso por escrito.

Las violaciones son susceptibles de reclamos de compensación. Stiebel se reserva el derecho de presentar otros reclamos.

El copyright pertenece a:

Stiebel Eltron, Inc.

17 West Street | West Hatfield, MA 01088

Tel. 413.247.3380 | Fax 413.247.3369

Email info@stiebel-eltron-usa.com

www.stiebel-eltron-usa.com

Si tiene alguna duda sobre la instalación o el uso del calentador de agua, comuníquese con nuestro servicio de atención al cliente.
Tel. (USA) 800.582.8423 o 413.247.3380

Por favor anote el número de serie y la información del producto:

Nro. de serie: _____

Fecha de compra: _____

ACCELERA® 220/300 E: GUÍA RÁPIDA DE INICIO

Aspectos generales:

La instalación de este calentador de agua es similar a la de cualquier otro calentador de agua eléctrico, con excepciones menores. Asegúrese de que se cumplan todos los códigos estatales y locales durante la instalación. Esta guía rápida de inicio no debe interpretarse como un sustituto del manual de instalación completo. Asegúrese de que se cumplan todas las precauciones de seguridad.

Desembalaje:

NO desembale la unidad del calentador de agua hasta no haberla ubicado donde se va a instalar. Siga todas las instrucciones del manual y asegúrese de tener precaución, ya que esta unidad es sumamente pesada. Después de desembalar la unidad, NO la coloque en posición horizontal, y NO sacuda ni incline la unidad más de 45 grados sobre la carretilla de carga. Si el artefacto no estuvo en posición completamente vertical durante el transporte o la ubicación en el lugar de instalación, debe dejarse en posición vertical durante al menos una hora antes de ponerlo en funcionamiento.

Instalación de las conexiones de agua:

1. Busque una ubicación adecuada que se ajuste a las pautas de espacio del ambiente que se detallan en la página siguiente. El volumen mínimo del ambiente es 10 pi. x 10 pi. x 8 pi. Asegúrese de que los conductos de ventilación se encuentren paralelos a la pared y que el ventilador apunte hacia la parte con mayor espacio libre de la pared. Por favor, tenga en cuenta que se recomienda el uso de una bandeja de drenaje de condensado, y en algunas áreas puede ser obligatorio.
2. Las conexiones de plomería de entrada y salida de la unidad son NPT macho de 1 pulg. Se recomienda usar conexiones con uniones para facilitar las reparaciones. Instale un drenaje del calentador en la entrada de agua fría para facilitar el vaciado del tanque. No utilice el cáñamo para el sellado.
3. El puerto de la válvula de seguridad de temperatura y presión (T&P) es NPT hembra de 3/4 pulg. Se proporciona una válvula de T&P diseñada para liberar agua a 100 psi (4.8 bar) y/o 210 °F (99 °C). Conéctela a una cubeta o directamente a un drenaje. Si conecta la válvula a una cubeta, contrólela con frecuencia para vaciar el agua acumulada.

Para conectar la unidad, siga todos los códigos estatales y locales sobre válvulas de retención, tanques de expansión, válvulas de cierre, calibres, etc.



Nota

Una válvula reductora de presión de 70 psi (4.8 bar) debe ser instalada para asegurar que la presión de la línea de agua entrante nunca supere 70 psi (4.8 bar). (Véase 11.1, "Conexión de tuberías", pág. 59).

Drenaje de condensado:

El drenaje de condensado va directamente a un drenaje; de lo contrario, utilice una bomba de condensado para drenarlo a un lugar adecuado. (Véase 11.2, "Drenaje de condensado", pág. 60).

Llenado y descarga del tanque:

Deje correr agua y asegúrese de que el tanque esté lleno antes de conectar el suministro de electricidad.

Instalación/aspectos eléctricos:

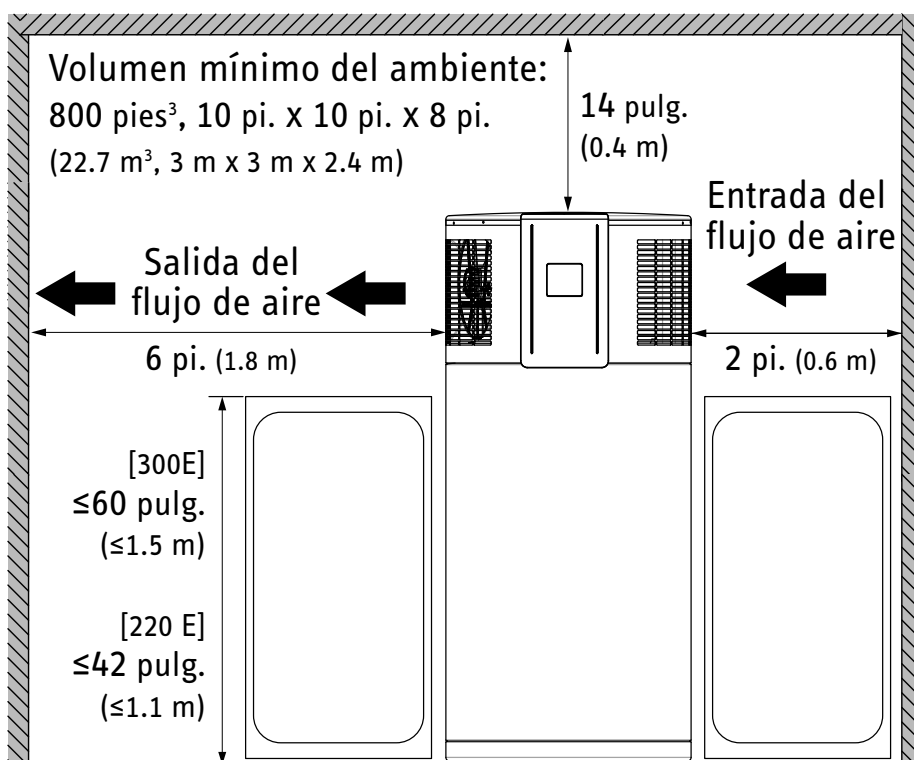
Utilice un interruptor bipolar de 240 voltios / 15 amperios y conéctelo a L1, L2 y toma de tierra. (Véase 11.4, "Suministro eléctrico", pág. 62).

Círculo de recirculación:

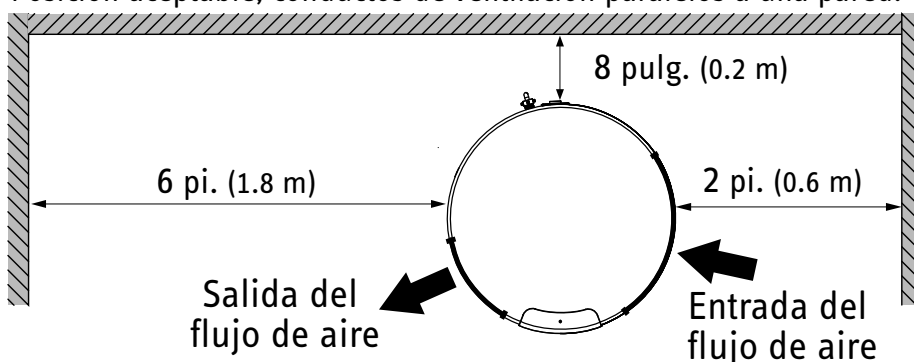
Stiebel Eltron desaconseja la instalación de este aparato en cualquier circuito de recirculación. Si se requiere un circuito de recirculación, vea la sección 11.1.6, "Círculo de recirculación" para los requisitos de instalación de la recirculación.

Volumen mínimo del ambiente

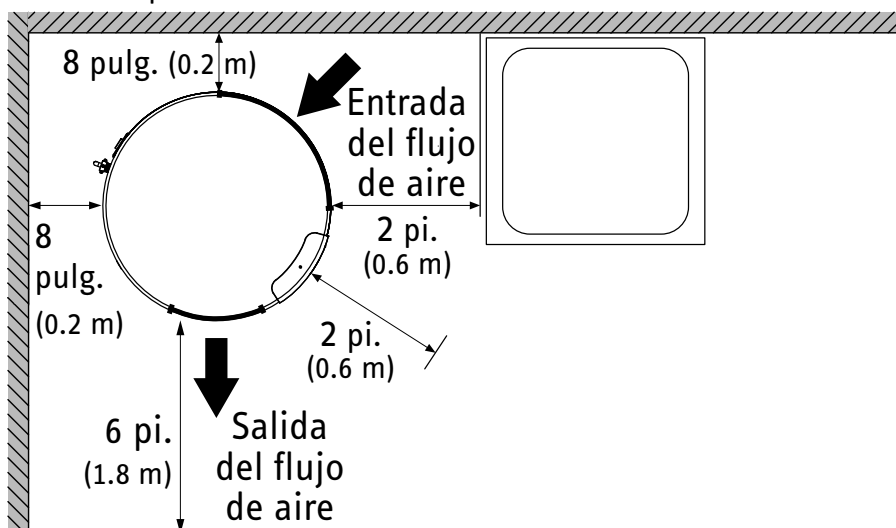
- › No instalar en un ambiente que tenga menos de 800 pies cúbicos de volumen total.
- › No instalar con la salida de aire apuntando a una pared o a cualquier superficie que se encuentre a menos de 6 pies (1.8 m) de distancia.
- › No instalar con la entrada de aire apuntando a una pared o a cualquier superficie que se encuentre a menos de 2 pies (0.6 m) de distancia.
- › Si usted instalará un Accelera 220 E al lado de otro artefacto, el artefacto no puede superar las 42 pulg. de alto. Si usted instalará un Accelera 300 E, el otro artefacto no puede superar las 60 pulg. de alto. Esta restricción es para impedir que se obstaculice el flujo de aire que entra y sale del Accelera.
- › No seguir las instrucciones de instalación dejará sin efecto la garantía de fábrica.



Posición aceptable, conductos de ventilación paralelos a una pared:

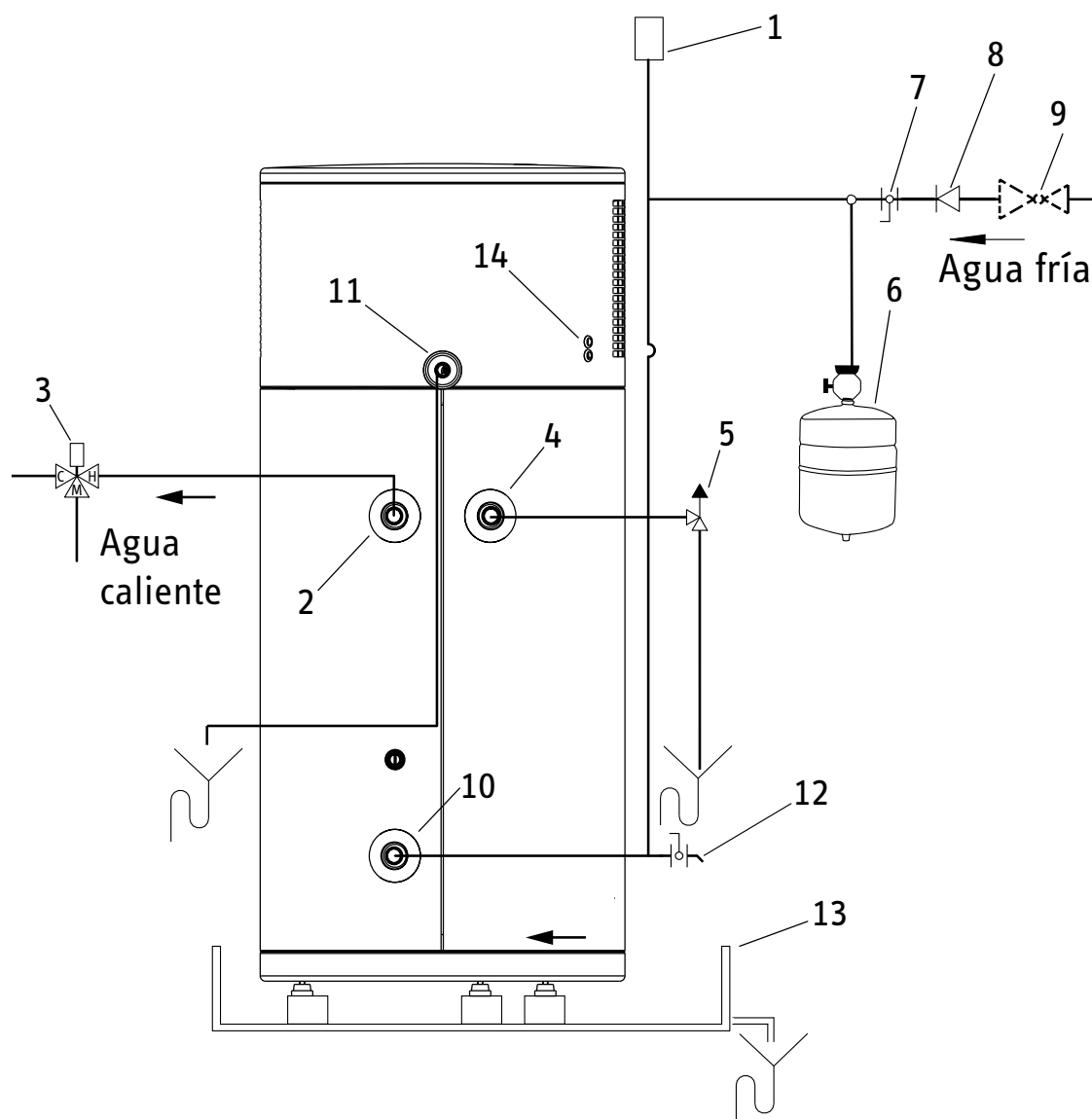


Posición aceptable, conductos de ventilación paralelos a una pared en una esquina:



GUÍA RÁPIDA DE INICIO

Conexiones de plomería



- 1 Igualador de presión
- 2 Conexión de agua caliente (1 pulg. NPT)
- 3 Válvula mezcladora (opcional, provista por el instalador)
- 4 Conexión para la válvula de T&P (3/4 pulg. NPT)
- 5 Válvula de T&P de 3/4 pulg. NPT, 100 psi a 210 °F (0.69 MPa a 99 °C) (provista con la unidad)
- 6 Tanque de expansión tamaño mín. recomendado*: 5 gal (19 l) (requerido, provisto por el instalador)
- 7 Válvula de cierre directo (provista por el instalador)
- 8 Válvula de retención (requerida, provista por el instalador)
- 9 Válvula de reducción de presión de 70 psi (0.48 MPa) (requerida, provista por el instalador)
- 10 Conexión de agua fría (1 pulg. NPT)
- 11 Drenaje de condensado (3/4 pulg. R a 1/2 pulg. codo de púas, incluido con la unidad)
- 12 Válvula de drenaje (provista por el instalador)
- 13 Bandeja de drenaje (provista por el instalador)
- 14 Excedente de condensado

* Esta recomendación basada en la presión de entrada de 70 psi, vaso de expansión precargar a 70 psi, 140 °F (60 °C) máx. la temperatura del tanque, todo el contenido del tanque no se drenan en cada uso, y llenad la temperatura es de 70 °F (21.1 °C).

FUNCIONAMIENTO

1. Información general

Los capítulos “Información especial” y “Funcionamiento” están destinados a usuarios e instaladores autorizados.

El capítulo “Instalación” está destinado solo a instaladores autorizados.



Nota

Lea estas instrucciones atentamente antes de usar el artefacto y consérvelas para consultas futuras. Entregue las instrucciones a cualquier nuevo usuario que las necesite.

1.1 Instrucciones de seguridad

1.1.1 Estructura de las indicaciones de seguridad



ADVERTENCIA: Tipo de peligro
Aquí aparecen las posibles consecuencias del desobedecimiento de las indicaciones de seguridad.
► Se indican las medidas necesarias para evitar estos peligros.

1.1.2 Símbolos, tipo de peligro

Símbolo	Tipo de peligro
	Lesión
	Electrocución
	Quemaduras o escaldamiento

1.1.3 Palabras clave

PALABRA CLAVE	Descripción
PELIGRO	El desobedecimiento de esta información conlleva graves lesiones o la muerte
ADVERTENCIA	El desobedecimiento de esta información puede conllevar graves lesiones o la muerte
ATENCIÓN	El desobedecimiento de esta información puede conllevar lesiones de mediana gravedad o lesiones leves

1.2 Otras marcas presentes en este documento



Indicación:

La indicación está limitada por líneas horizontales sobre y bajo el texto. La información general se señala mediante el símbolo que se muestra a la izquierda.

Símbolo	
	Daños en el aparato y al medio ambiente
	Eliminación del aparato

► Este símbolo le indica que usted tiene que hacer algo. Se describen paso a paso las medidas necesarias.

Los símbolos le indican el nivel del menú del software (en este ejemplo, el tercer nivel).

1.3 Unidades de medida



Nota

Si no se indica lo contrario, todas las dimensiones estarán expresadas en pulgadas (milímetros).

1.4 Datos de salida estandarizados

Información sobre la determinación e interpretación de los datos de salida estandarizados especificados.

Estándar: EN 16147

Los datos de salida mencionados específicamente en el texto, los diagramas y las hojas de datos técnicos se han calculado de acuerdo con las condiciones de prueba de la norma que se mencionada en el título de esta sección. Generalmente, estas condiciones de prueba estandarizadas no cumplirán por completo las condiciones encontradas en el sitio de instalación del usuario del sistema.

En función del método de ensayo elegido y de la medida en que se desvíe de las condiciones definidas en la norma mencionada en el título de la presente sección, cualquier desviación puede tener un impacto considerable. Otros factores que influyen en los valores de prueba son el equipo de medición, la configuración del sistema, la antigüedad del sistema y los caudales.

Solo se puede obtener una confirmación de los datos de salida especificados si las condiciones aplicables a la prueba correspondiente coinciden con las de la norma indicada en el título de este capítulo.

2. Seguridad

Este capítulo da un vistazo general de todas las medidas importantes que deben tomarse para el uso seguro y sin inconvenientes del calentador.

2.1 Uso correcto

El artefacto está diseñado para el calentamiento del agua doméstica dentro de los límites de aplicación. Véase 17.3, “Tabla de datos”, pág. 72.

El artefacto está diseñado para el uso doméstico, es decir, no hace falta un entrenamiento especial para utilizarlo con seguridad. El artefacto también puede usarse en un entorno no doméstico, por ejemplo una pequeña empresa, con la condición de que se utilice de la misma manera.

Cualquier otro uso que no esté estipulado se considerará inapropiado. El cumplimiento de estas instrucciones y de las instrucciones de uso de cualquier accesorio también forma parte del uso correcto del calentador.

2.2 Uso incorrecto

Los siguientes usos no están permitidos:

- Calentar otro líquido que no sea agua potable
- Hacer funcionar el artefacto con el tanque de agua vacío
- Hacer funcionar el artefacto fuera de los límites de aplicación (Véase 17.3, "Tabla de datos", pág. 72)
- Interrumpir el suministro eléctrico, ya que sin electricidad el artefacto no está protegido contra la corrosión

2.3 Instrucciones generales de seguridad

Solo los instaladores autorizados deben realizar los trabajos relacionados con la electricidad y la instalación de este artefacto. Los instaladores autorizados son responsables de cumplir con todas las regulaciones pertinentes.

Haga funcionar el artefacto solo cuando se haya completado la instalación y tenga incorporados todos los elementos de seguridad.



ADVERTENCIA Lesiones

Este artefacto puede ser utilizado por niños mayores de 8 años, personas con capacidades físicas, sensoriales o mentales reducidas y personas sin experiencia o conocimientos previos, siempre y cuando lo hagan bajo supervisión o luego de que se les haya instruido sobre cómo usar el artefacto con seguridad y hayan comprendido los riesgos resultantes. Los niños nunca deben jugar con el artefacto. Los niños nunca deben limpiar el calentador ni realizar ningún mantenimiento del usuario a menos que estén bajo supervisión de un adulto.



ADVERTENCIA Electrocuación

El contacto con partes que conducen electricidad pone en riesgo la vida. Los daños en el aislante eléctrico o las piezas individuales pueden poner en riesgo la vida.

- ▶ Si existen daños en el aislante, corte el suministro de electricidad y solicite una reparación.

Todos los trabajos relacionados con la electricidad deben ser llevados a cabo por un electricista calificado.



ADVERTENCIA Quemaduras por agua caliente

El agua del tanque puede calentarse hasta alcanzar temperaturas que superan los 149 °F (65 °C). Existe el riesgo de quemaduras por agua caliente cuando la temperatura del agua que sale supera los 110 °F (43 °C).

- ▶ Asegúrese de no entrar en contacto con el agua que sale durante la descarga.



ADVERTENCIA Quemaduras

El contacto con piezas calientes puede causar quemaduras. Cuando trabaje cerca de las piezas calientes, utilice siempre indumentaria de protección y guantes de seguridad.

Las tuberías conectadas a la salida de agua caliente del calentador pueden alcanzar temperaturas superiores a los 149 °F (65 °C).



ADVERTENCIA Quemaduras por congelación

El calentador se rellena en fábrica con un refrigerante. En caso de pérdidas del refrigerante, evite el contacto con el refrigerante o la inhalación de los vapores emanados. Ventile los ambientes afectados.



ADVERTENCIA Lesiones

Nunca apoye objetos sobre el calentador. Si se apoyan objetos sobre el calentador, puede aumentar el nivel de ruido por las vibraciones que producirá el calentador, y los objetos pueden caerse y ocasionar lesiones.



PRECAUCIÓN

Para reducir el riesgo de presión y temperaturas excesivas en este calentador de agua, instale los elementos de seguridad de temperatura y presión requeridos por los códigos locales y que incluyan al menos una válvula de escape combinada de temperatura y presión certificada por un laboratorio de pruebas reconocido a nivel nacional que realice una inspección periódica de la producción de los equipos y materiales incluidos y certifique que cumplen con ANSI Z21.22, requerimientos de válvulas de escape y cierre de gas automático de calentadores de agua para sistemas de suministro de agua caliente. Esta válvula debe estar configurada con un valor establecido de presión máxima que no debe exceder la presión de trabajo máxima del calentador de agua. Instale la válvula en una abertura provista y marcada para este propósito en el calentador de agua, y oriéntela o instale las tuberías de manera que cualquier escape de la válvula salga solo a 6 pulgadas por encima, o a cualquier distancia por debajo del piso estructural, y que no entre en contacto con ninguna pieza que conduzca electricidad. La abertura de descarga no debe obstruirse, ni su tamaño debe reducirse en ninguna circunstancia.



PRECAUCIÓN

Si el sistema de calentamiento de agua no se utiliza durante un tiempo prolongado (de 2 semanas o más), el calentador produce gas hidrógeno. El gas hidrógeno es sumamente inflamable. Para reducir el riesgo de lesiones en estas condiciones, se recomienda abrir la llave del agua caliente durante varios minutos en el fregadero de la cocina antes de usar cualquier artefacto eléctrico conectado al sistema de agua caliente. Cuando hay hidrógeno en el ambiente, probablemente se sentirá un sonido extraño, como si escapara aire a través de los tubos a medida que el agua comienza a fluir. No se debe fumar ni encender una llama cerca de la llave de agua en el momento en que esté abierta.

FUNCIONAMIENTO

Seguridad

! Pérdidas materiales
Si desconecta el artefacto de la red eléctrica, dejará de estar protegido contra la escarcha.
▶ No corte el suministro eléctrico del calentador.

! Pérdidas materiales
Nunca cubra el artefacto. Cubrir las ranuras por las que entra o sale el aire llevará a una disminución del suministro de aire. Si se restringe el suministro de aire, no se garantiza la confiabilidad operativa del artefacto.

! Pérdidas materiales
Haga funcionar el artefacto solamente con el tanque de agua lleno.

! Pérdidas materiales
No se permite el calentamiento de líquidos otro que sean agua potable.

! Pérdidas materiales
Mantenga el ambiente donde se instaló el artefacto libre de aire contaminado con aceite o sales, o sustancias corrosivas o explosivas.

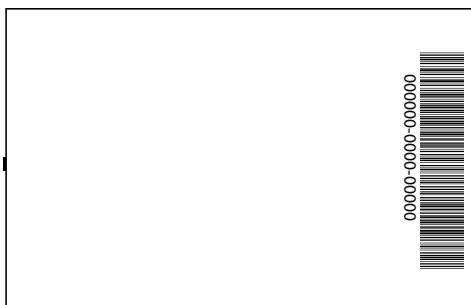
2.4 Designación ETL

La designación de ETL muestra que el artefacto cumple con todos los requisitos esenciales de UL y CAN/CSA. Este artefacto cumple con:

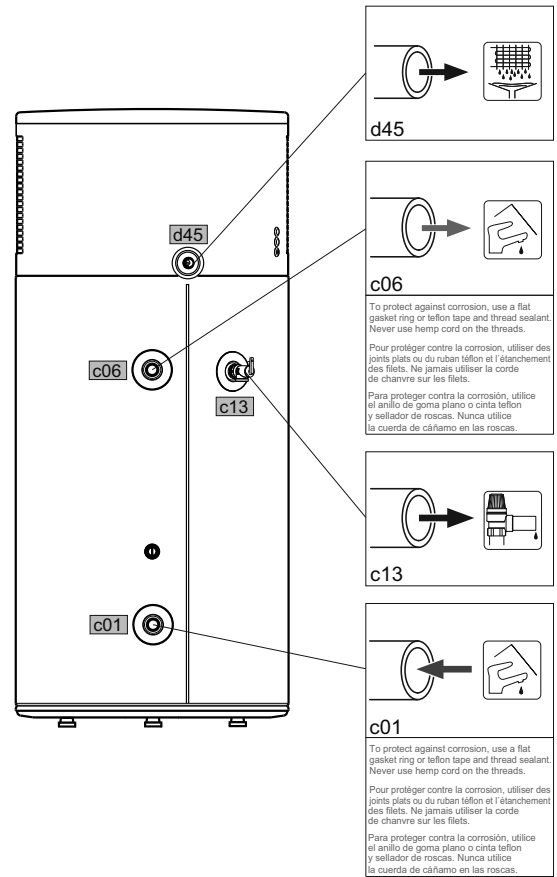
- Norma UL 1995
- Norma UL 174
- Norma CAN/CSA C22.2 No.236-05
- Norma CAN/CSA C22.2 No.110-94

2.5 Rótulos del artefacto

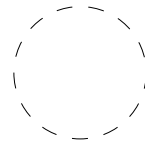
1 Placa de identificación del Accelera 220/300 E



2 Etiqueta informativa de las conexiones de agua



3 Etiqueta informativa de la conexión eléctrica



Power supply

Disconnect power supply

Before opening the cover

!Attention!

Must connect to
240 V, 15 A

Double-pole

Circuit breaker

4 Etiqueta informativa de riesgos de quemaduras

⚠ DANGER



Water temperature over 52°C (125°F) can cause severe burns instantly or death from scalds.

Children, disabled and elderly are at highest risk of being scalded.

See instruction manual before setting temperature at water heater.

Feel water before bathing or showering.

Temperature limiting valves are available. See instruction manual.

WARNING

HOT WATER CAN PRODUCE 3RD DEGREE BURNS:
IN 6 SECONDS AT 60°C (140°F).
IN 30 SECONDS AT 54°C (130°F).
CONTROLS WERE FACTORY SET AT 52°C (125°F).
CONTACT QUALIFIED SERVICE PERSONNEL FOR ADJUSTMENTS.

Une température de l'eau de plus de 52°C (125°F) peut causer des brûlures graves ou la mort par ébouillantage. Les enfants, les personnes handicapées et les personnes âgées courent le plus grand risque de brûlures.

Lire la notice d'emploi avant d'ajuster la température du chauffe-eau.

Vérifier la température de l'eau avant de prendre un bain ou une douche.

Des dispositifs de limitation de température sont disponibles. Voir la notice d'emploi.

ATTENTION

L'eau chaude peut provoquer des brûlures de 3ème degré:
En 6 secondes à 60°C (140°F).
En 30 secondes à 54°C (130°F).
Réglé à l'usine à 52°C (125°F).
Contacter le personnel de service après-vente qualifié pour toute modification.

Agua con temperatura de más de 52 °C (125 °F) puede al instante causar quemaduras graves o la muerte por escaldadura.

Niños, personas con discapacidades o mayores se encuentran en mayor peligro de escaldadura.

Mire las instrucciones de uso antes de ajustar la temperatura en el calentador de agua.

Pruebe el agua antes de bañarse o de ducharse.

Están disponibles válvulas para regular la temperatura. Mire las instrucciones de uso.

ADVERTENCIA

Agua muy caliente puede causar quemaduras de 3º grado. En 6 segundos A 60 °C (140 °F). En 30 segundos A 54 °C (130 °F). La regulación fue ajustada en la producción A 52 °C (125°F). Si necesita ajustar la regulación, contáctese al técnico de servicio calificado.

5 Etiqueta informativa de la válvula de escape de presión y temperatura


Relief valve
Plumber:
The relief valve installation must be fitted to this socket. The pressure and temperature relief valve has to meet local codes and comply with ANSI Z21.22.

Soupape de sûreté
Plombier:
L'installation de la soupape de sûreté doit être branchée sur cette prise. La soupape de sûreté pour la pression et la température doit être conforme à la réglementation locale et à ANSI Z21.22.

Válvula de seguridad
Plomero:
La válvula de seguridad debe instalarse en esta conexión. Las válvulas limitadoras de presión y temperatura tienen que ajustarse al código local y cumplir con la norma ANSI Z21.22.

315321-38055

6 Etiqueta informativa del protocolo de Kyoto



DE: Enthält vom Kyoto - Protokoll erfasste fluorierte Treibhausgase - hermetisch geschlossenes System.
GB: Contains fluorinated greenhouse gases covered by the Kyoto Protocol - hermetically sealed.
FR: Comprend les gaz à effet de serre fluorés enregistrés par le protocole de Kyoto - systèmes hermétiquement scellés.
NL: Bevat gefluoreerde broeikasgassen die onder het Kyoto-protocol vallen - hermetisch gesloten systeem.
SE: Innehåller av Kyoto - protokollet registrerade fluorerande växthusgaser i hermetiskt förslutna system.
PL: Zawiera fluorowane gazy cieplarniane ujęte w Protokole z Kioto - hermetycznie zamknięty układ.
CZ: Obsahuje fluorizované skleníkové plyny, obsažené v Kjótském protokolu - hermeticky uzavřený systém.
HU: A Kiotói Jegyzőkönyv szerinti fluorotartalmú üvegházhatású gázokat tartalmaz - hermetikusan zárt rendszer.
IT: Contiene gas fluorurati ad effetto serra disciplinati dal protocollo di Kyoto - Impianto ermeticamente chiuso.
ES: Sistema herméticamente cerrado que contiene gases de efecto invernadero mencionados en el protocolo de Kioto.
BG: Съдържа посочените в Протокола от Киото флуорирани парникови газове - херметически затворена система.
RO: Conține un sistem închis ermetic contra emisiilor de gaze fluorine monitorizată de protocolul Kyoto.
DK: Indeholder fra Kyoto-protokollen registrerede, fluoreerede drivhusgasser - hermetisk lukket system.
NO: Inneholder fluoreerte drivhusgasser som omfattes av Kyotoprotokollen - hermetisk lukket system.
FI: Sisältää Kioton sopimuksen alaisia fluorattuja kasvihuonekaasuja - ilmatilviesti suljettu järjestelmä.

299581-36960

7 Etiqueta informativa de los elementos térmicos suplementarios

If the water heater is retrofitted with a supplemental heat element make sure that both thermostats are adjusted on the same water temperature set point.

Si le chauffe-eau est rénové avec un élément de chauffe supplémentaire, assurez-vous que les deux thermostats soient ajustés à la même température de réglage de l'eau.

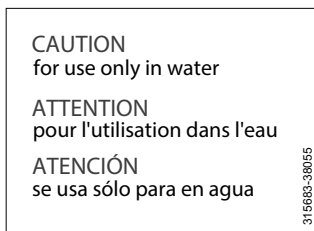
Si el calentador de agua está adaptado a un elemento calentador suplementario, asegúrese que ambos termostatos estén ajustados a la misma temperatura de agua.

315322-38055

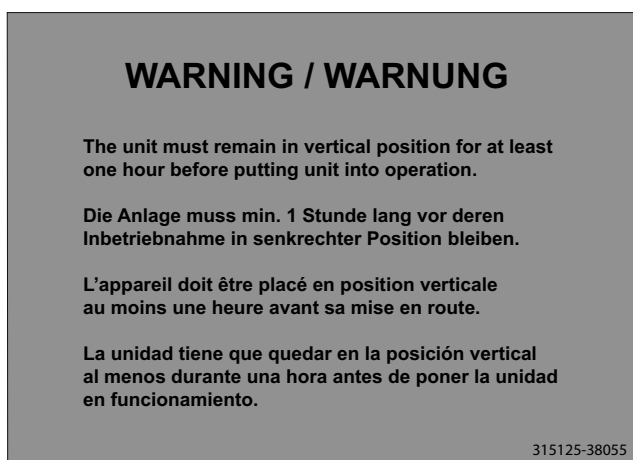
FUNCIONAMIENTO

Registre su producto

8 Etiqueta informativa del calentador de refuerzo



9 Etiqueta informativa de que el artefacto debe permanecer en posición vertical durante al menos una hora antes de su puesta en funcionamiento



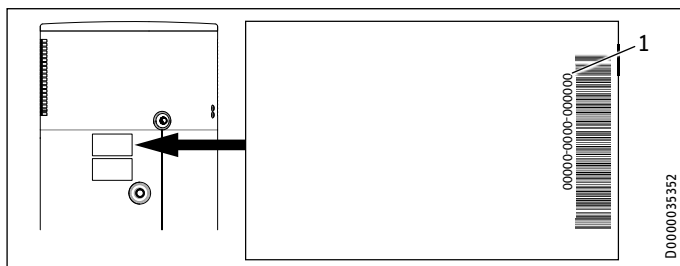
3. Registre su producto



Nota:

Debe registrar este producto en un plazo de 90 días desde la compra a través de nuestra página web para activar cualquier garantía estándar o para optar a la ampliación de la garantía. Visite nuestra página web www.stiebel-eltron-usa.com y haga clic en “Registre su producto.”

Antes de comenzar el proceso de registro, le sugerimos que recopile la siguiente información que necesitará:



1 Número en la etiqueta (“Nr.”)

Modelo; ejemplo: Accelera 220 E (La placa de identificación se encuentra arriba de la conexión de salida de agua caliente (“DHW outlet”))

Número que se indica después de “Nr.”

Lugar de compra

Fecha de compra

Nombre y apellido

Dirección de email

Dirección postal

Número de teléfono

Fecha de instalación

Si tiene alguna pregunta en relación con el proceso de registro o con las opciones de garantía, por favor, póngase en contacto directamente con Stiebel Eltron USA en el número de teléfono 800.582.8423.

4. Descripción del artefacto

El calentador está diseñado para instalarse en interiores. Funciona recirculando el aire del ambiente y no requiere aire del exterior. El artefacto obtiene el calor del aire del ambiente. Ese calor se utiliza para calentar el agua del tanque con la ayuda de la energía eléctrica. La cantidad de energía eléctrica y el tiempo necesario para calentar el tanque de agua dependen de la temperatura y la humedad del aire del ambiente.

Esta extracción del calor lleva a un descenso de la temperatura ambiente del lugar de instalación de entre 2 °F (1 °C) y 5.5 °F (3 °C). Este artefacto también extrae la humedad del aire y genera condensado. El condensado se drena del artefacto por medio del drenaje de condensado.

Cuando se abre una salida de agua, el agua caliente del tanque sale del artefacto empujada por la entrada de agua fría en el tanque.

Para proteger el tanque contra la corrosión, el interior está revestido con un esmalte especial y está equipado con un ánodo de corriente impresa.

La unidad de control electrónico facilita los ajustes que permiten ahorrar energía. Según el suministro eléctrico y el patrón de uso, el agua se calienta automáticamente a la temperatura fijada.

4.1 Principio de funcionamiento de la bomba eléctrica de calor

El artefacto incluye un circuito hermético que contiene refrigerante (Véase 17.3, “Tabla de datos”, pág. 72). Este refrigerante se evapora a bajas temperaturas y recoge el calor del aire del ambiente.

En el evaporador, el refrigerante pasa del estado líquido al gaseoso. Un compresor absorbe el gas refrigerante e incrementa su presión. Este aumento de presión eleva la temperatura del refrigerante.

El proceso de compresión requiere energía eléctrica. La energía (calor del motor) no se pierde, pero se descarga al condensador aguas abajo. Allí, el refrigerante transfiere indirectamente calor al tanque de agua caliente sanitaria y el refrigerante líquido se envía a un secador de filtro. evaporador de dos inundación. Una válvula de expansión reduce la presión sigue siendo frecuente. El refrigerante se dirige al evaporador de dos inundación y el ciclo comienza de nuevo.

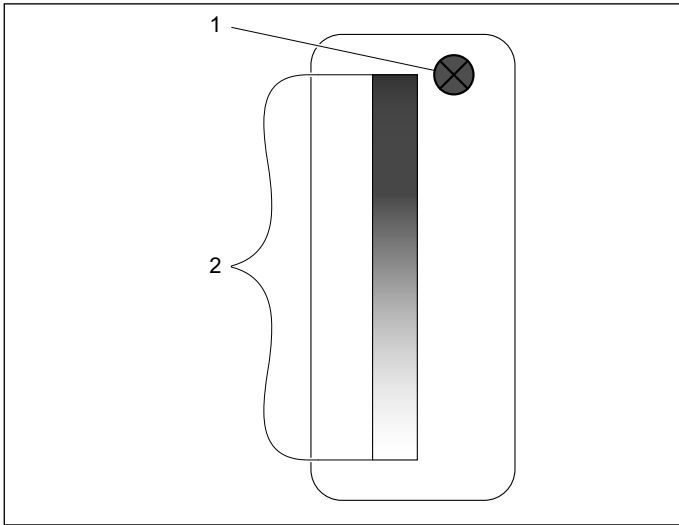


Nota

Si se interrumpe el suministro de electricidad, el compresor se bloqueará durante al menos un minuto. El tablero de control electrónico (ECB) demora el reinicio electrónico durante un minuto mientras el artefacto realiza el proceso de inicialización.

Si el compresor posteriormente no logra arrancar, puede que esté bloqueado por elementos adicionales de seguridad (Klixon e/o interruptor de alta presión). Si el compresor se apaga debido al Klixon, esto puede deberse a la diferencia de presión entre los lados de alta y baja presión del circuito del refrigerante. Cuando la diferencia de presión se estabiliza (aproximadamente en 5 minutos) el compresor se enciende de nuevo. Si el interruptor de alta presión se activa y bloquea el compresor, esto puede deberse a una falla en el termostato o la alta temperatura del aire del ambiente. Después de que se ha establecido el suministro eléctrico, el artefacto sigue funcionando dentro de los parámetros que se seleccionaron antes de que se interrumpiera el suministro eléctrico.

4.2 Calentamiento del tanque de agua



- 1 Sensor de cúpula
- 2 Sensor integrado

El aparato está equipado con dos sensores de temperatura.

El sensor de cúpula capta la temperatura del agua en la sección superior del depósito.

- El sensor integral es un sensor de temperatura colocado sobre toda la altura del tanque. El sensor integral determina la temperatura media tanque.
- La pantalla aparato indica la temperatura en la sección superior del depósito. La unidad de control del aparato funciona con la temperatura media del tanque.

El aparato puede empezar a calentar a pesar de que la pantalla indica que se ha alcanzado la temperatura seleccionada. En este caso la desviación de la temperatura media del tanque desde el valor de ajuste es mayor que la histéresis del sensor del termostato integral.

A temperaturas del aire ambiente inferiores a 46 °F (7.8 °C), la unidad entrará automáticamente en el modo de descongelación

de vez en cuando para eliminar la acumulación de hielo en el evaporador.

Para obtener información sobre el tiempo de calentamiento, Véase 17.3, "Tabla de datos", pág. 72. El cálculo de la cantidad disponible de agua mezclada se basa en la temperatura media del cilindro. La cantidad de agua mezclada se calcula únicamente si la temperatura del agua en la sección superior del cilindro es mayor que 104 °F (40 °C).

ACS se calienta normalmente por la bomba de calor del aparato dentro de los límites de aplicación (Véase 17.3, "Tabla de datos", pág. 72).

4.2.1 Calentador eléctrico de refuerzo

El elemento de refuerzo eléctrico se utiliza para los tiempos de forma inesperada alta demanda de agua caliente. El elemento se activa manualmente a través del botón rojo del punto de empuje situado en el panel de visualización frontal (Véase 5.1, "Indicador y controles", pág. 49, N° de art. 8, "Tecla de calentamiento rápido").

En caso de un fallo de la bomba de calor puede comenzar el calentador / booster de emergencia eléctrica si el lugar una avería, y el código de error es superior a 256. Véase 5.5.2, "Modo de emergencia", pág. 52.

En el caso de una inesperadamente alta demanda de agua caliente, el calentador / booster de emergencia se puede activar con la tecla de calentamiento rápido, además de la bomba de calor. Véase 5.5.1, "Calentamiento de confort", pág. 52.

4.3 Funcionamiento del artefacto fuera de los límites de aplicación

4.3.1 Temperaturas ambiente por debajo del límite de aplicación

Si se acumula escarcha en las aletas del evaporador, el control de escarcha apaga el compresor de la bomba eléctrica de calor. El compresor se enciende automáticamente una vez que el evaporador se descongeló. Descongele sólo funciona si la temperatura ambiente es superior a 38 °F (3.3 °C)

- Para garantizar el funcionamiento sin fallas de artefacto, asegúrese de usarlo dentro de los límites de aplicación (Véase 17.3, "Tabla de datos", pág. 72).



Nota

Los tiempos de calentamiento son mayores mientras el evaporador se está descongelando.

4.3.2 Temperaturas ambiente por encima del límite de aplicación

El equipo de seguridad apaga el artefacto si se excede el límite superior de aplicación.

Después de un período de enfriamiento de varios minutos, el artefacto vuelve a encenderse automáticamente. El artefacto se apaga nuevamente si la temperatura ambiente vuelve a subir por encima del valor permisible de temperatura.

- Para garantizar el funcionamiento sin fallas de artefacto, asegúrese de usarlo dentro de los límites de aplicación (Véase 17.3, "Tabla de datos", pág. 72).

FUNCIONAMIENTO

Configuración

4.4 Protección contra la escarcha

El artefacto activa una función antiescarcha si el sensor integrado del tanque detecta una temperatura por debajo de los 50° F (10° C). A continuación, el artefacto calienta el agua en paralelo, tanto con la bomba eléctrica de calor como con el calentador de refuerzo. La bomba eléctrica de calor y el calentador de refuerzo se apagan una vez que la temperatura detectada por el sensor integrado es mayor que 65° F (18° C).

4.5 Descongelación

Las bajas temperaturas de entrada de aire pueden provocar la formación de escarcha en el evaporador, sujeta a la humedad relativa y a la temperatura del agua caliente. El aparato está equipado con un monitor electrónico de descongelación. El calentamiento del agua caliente se interrumpe durante el proceso de descongelación. El aparato apaga el compresor durante el proceso de descongelación. El ventilador sigue funcionando. El proceso de descongelación se muestra en la pantalla del aparato.

En el aparato se almacena un tiempo máximo de desescarche. Si se supera el tiempo máximo de desescarche, el aparato detiene el proceso de desescarche y libera el elemento eléctrico de refuerzo.



Nota

Los tiempos de calentamiento son más largos mientras el evaporador se está descongelando.



Nota

El dispositivo inicia el proceso de descongelación tan pronto como el tiempo de funcionamiento del compresor alcanza el intervalo de tiempo de "Descongelamiento requerido" almacenado en el dispositivo.

4.6 Tiempo mínimo de funcionamiento y tiempo mínimo de pausa



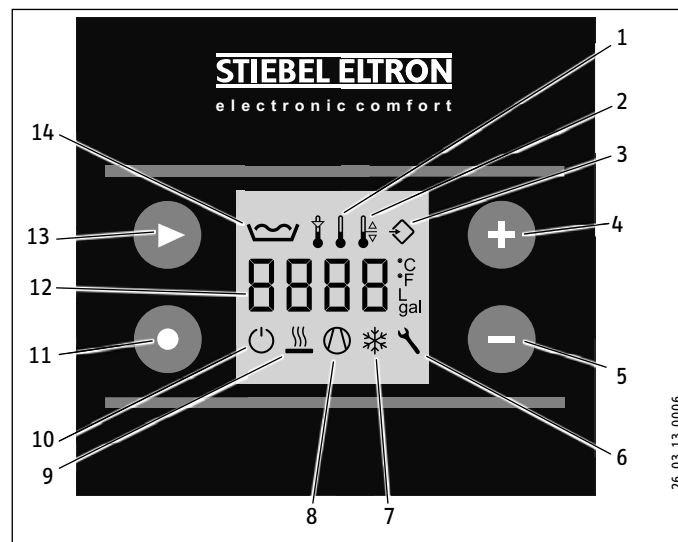
Pérdidas materiales

Cuando se trabaja con dispositivos de conmutación externos que pueden interrumpir la alimentación eléctrica del aparato, como interruptores horarios, sistemas de gestión de energía o sistemas domóticos, se deben cumplir las siguientes condiciones:

- El tiempo mínimo de encendido es de 60 minutos.
- El tiempo mínimo de pausa después de un apagado es de 20 minutos.
- El aparato no debe encenderse/apagarse más de 10 veces al día.
- El poder de corte del actuador de conmutación debe cumplir los requisitos de protección del interruptor automático (véase el capítulo "Especificación / Tabla de datos").

5. Configuración

5.1 Indicador y controles



- 1 Temperatura real
- 2 Temperatura fijada 1
- 3 Temperatura fijada 2 activa
- 4 Tecla de más
- 5 Tecla de menos
- 6 Error/servicio técnico
- 7 Modo de descongelamiento
- 8 La bomba eléctrica de calor
- 9 Calentador eléctrico de refuerzo
- 10 Protección contra la escarcha
- 11 Tecla de calentamiento rápido
- 12 Indicador de cantidad de agua mezclada (l/40 °C/gal/104 °F)
Indicador de la temperatura real, parte superior del tanque /
Indicador de temperatura fijada 1 y 2
Indicador de código de fallas
- 13 Tecla de menú
- 14 Símbolo de cantidad de agua mezclada






Los símbolos del "calentador de refuerzo" y la "bomba de calor" se muestran cuando estos componentes del artefacto están en funcionamiento.

5.1.1 Símbolos

Símbolo	Descripción
	Cantidad de agua mezclada: se muestra la cantidad de agua mezclada actualmente disponible a 104 ° F (40 ° C) y a 59 ° F (15 ° C) se muestra la temperatura del agua fría.
	Temperatura actual: se muestra la temperatura actual actual. La temperatura real indica la temperatura en la sección superior del cilindro de ACS y, por lo tanto, corresponde en gran medida a la temperatura de salida.
	Temperatura ajustada 1
	Temperatura programada 2 (Transmisor de señal externo): es la temperatura programada de ACS a la que se calienta el aparato si hay un transmisor de señal externo conectado y activo.

FUNCIONAMIENTO

Configuración

Símbolo	Descripción
	En espera: el símbolo parpadea si la PCB del dispositivo y la carga (compresor) se suministran con alimentación por separado. Esta opción de conexión es necesaria si el dispositivo debe operarse a través de tomas intercambiables en un sistema de administración de energía (consulte 11.4, "Fuente de alimentación", pág. 25), por ejemplo.
	Elemento de refuerzo eléctrico: este símbolo indica la presencia de una demanda en este componente. Este símbolo que se muestra no significa necesariamente que el elemento de refuerzo eléctrico esté en funcionamiento.
	Bomba de calor: este símbolo indica la presencia de una demanda en este componente. Este símbolo que se muestra no significa necesariamente que el compresor se esté ejecutando.
	Modo de antihielo activo
	Servicio / error: Si aparece el símbolo "servicio / error" en la pantalla, informe a su contratista calificado. La iluminación continua del símbolo indica que la falla no impide el funcionamiento del aparato. Un símbolo intermitente de "Servicio / error" indica que el agua no se está calentando y que es esencial que notifique a su contratista calificado. Cambiar el aparato al modo de emergencia es un caso especial. El calentador eléctrico de emergencia / de refuerzo calentará el agua a pesar del símbolo de "servicio / error" que parpadea.

Los símbolos de "elemento de refuerzo eléctrico" y "bomba de calor" se muestran cuando estos componentes del aparato están funcionando.

Nota
La luz de fondo del indicador se enciende durante 15 segundos después de presionar cualquier botón.

Símbolo de falla/servicio técnico

Nota
Notifique al servicio técnico si aparece el símbolo de falla/servicio técnico en el indicador. La iluminación continua del símbolo indica que la falla no impide el funcionamiento del artefacto.
Si el símbolo de falla/servicio técnico parpadea, esto indica que el agua no se está calentando y que es fundamental comunicarse con el servicio técnico.

5.2 Ajustes

Menú

En el modo de visualización estándar, la pantalla muestra la cantidad actual de agua mezclada.

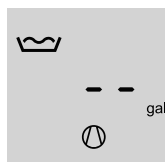
Nota
15 segundos después de cada ajuste, el aparato vuelve automáticamente a la indicación estándar y memoriza el valor ajustado.

▶ La tecla de menú permite visualizar toda la información y todas las opciones de configuración una por una. El símbolo pertinente aparece con cada configuración.

5.2.1 Indicador de cantidad de agua mezclada (modo normal del indicador) ■



▶ Se muestra la cantidad actual disponible de agua a 104 °F (40 °C) mezclada con agua fría a 59 °F (15 °C).

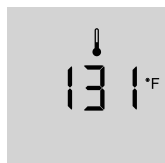


Si no hay agua caliente utilizable en el tanque, el indicador muestra "--".

Demanda del tanque para	Cantidad de agua mezclada a 104 °F (40 °C)
Baño	32 a 40 gal (120 a 150 l)
Ducha	9 a 13 gal (30 a 50 l)
Lavado de manos	1/2 a 1 1/2 gal (2 a 5 l)

La cantidad de agua mezclada que puede obtenerse depende de la temperatura establecida.

5.2.2 Indicador de temperatura real ■



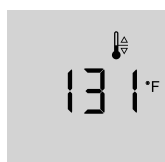
▶ En el menú de agua mezclada, presione una vez la tecla de menú para acceder al menú de la temperatura real.

Se muestra temperatura real actual de la sección superior del tanque de agua. Esto corresponde aproximadamente a la temperatura de salida.

5.2.3 Temperatura fijada 1 ■

Nota
Para prevenir el contagio de legionella, nunca fije la temperatura del tanque por debajo de 124 °F (50 °C).

La temperatura fijada 1 es la temperatura del agua caliente del aparato se calienta a si ningún emisor de señales externo está conectado y activo. La temperatura fijada 1 viene configurada de fábrica en 131 °F (55 °C).



▶ En el menú de temperatura real, presione una vez la tecla de menú para acceder al menú de la temperatura fijada 1.

Aparece el símbolo de temperatura fijada 1.

– Ajuste la temperatura fijada 1 entre 69 y 149 °F (20.5 y 65 °C) con las teclas de más y de menos.



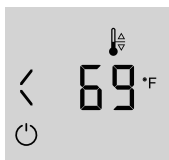
Nota
Otra forma de ajustar la temperatura fijada 1 es presionar la tecla de más o de menos en el indicador normal (cantidad de agua mezclada).

FUNCIONAMIENTO

Configuración

5.2.4 Protección antiescarcha ■

Si la temperatura del agua del tanque es inferior a los 59 °F (15 °C), se activan la bomba de calor y el refuerzo eléctrico como medida de protección contra el congelamiento. Este modo se desactiva cuando la temperatura del agua alcanza los 65 °F (18.3 °C).



Si la temperatura está fijada a menos de 69 °F (20.5 °C), solo se activará la protección antiescarcha. El calentador de agua no funcionará.

5.2.5 Temperatura fijada 2 ■



Nota

Para prevenir el contagio de legionella, nunca fije la temperatura del tanque por debajo de 124 °F (50 °C).

La temperatura fijada 2 es la temperatura del tanque a la que regula el artefacto si hay un transmisor de señal externa conectado y activo.



En el menú de temperatura fijada 1, presione una vez la tecla de menú para acceder al menú de la temperatura fijada 2.

Aparece el símbolo de temperatura fijada 2.

Ajuste la temperatura fijada 2 entre 69 y 149 °F (20.5 y 65 °C) con las teclas de más y de menos.



Funcionamiento con transmisor de señal externa (entrada de 240 V)

La conexión de la bomba eléctrica de calor a una señal externa ofrece la posibilidad de calentar el agua a una temperatura superior establecida durante los períodos en que las tarifas eléctricas son favorables, por ejemplo, en momentos en que está disponible la energía fotovoltaica o están vigentes tarifas reducidas de servicios eléctricos.

Esa señal externa puede obtenerse mediante un sistema de energía fotovoltaica o una transmisión de tarifas reducidas de la compañía de servicios eléctricos.

Si se recibe una señal externa, se activa la temperatura fijada 2, que anula la temperatura fijada 1, que es la temperatura estándar del ACS (agua caliente sanitaria).

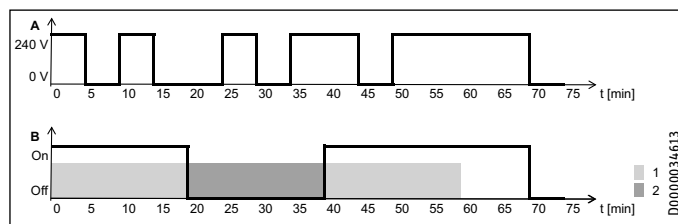
Si la temperatura fijada 2 fue activada por un transmisor de señal externa, permanecerá activa durante al menos 20 minutos. Si la señal permanece activa después de esos 20 minutos, el compresor funcionará hasta que finalice la señal de LF. De no ser así, vuelve activarse la temperatura fijada 1.

Si se alcanza la temperatura relevante del tanque, el compresor se apaga y permanece apagado durante un período de reposo mínimo de 20 minutos.

El siguiente diagrama es un ejemplo de las conexiones por medio de una secuencia de muestra de señal de un transmisor de señal externa.

Ejemplo:

- Temperatura del tanque = 131 °F (55 °C)
- Temperatura fijada 1 = 124 °F (50 °C)
- Temperatura fijada 2 = 149 °F (65 °C)



A Señal de LF

B Compresor

- 1 20 minutos como mínimo de funcionamiento en temperatura fijada 2
- 2 20 minutos como mínimo de reposo del compresor

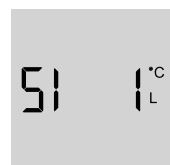


Nota

Una señal de LF debe permanecer activa durante al menos 60 segundos para que la unidad de control responda a ella. Esto impide que se inicie un ciclo del compresor a causa de condiciones de radiación solar que cambian rápidamente.

5.2.6 Cambio entre unidades ■

Este artefacto puede mostrar la temperatura y el volumen en unidades estadounidenses o del sistema internacional. Una selección de 0 en esta pantalla mostrará las unidades en Fahrenheit y en galones. Una selección de 1 en esta pantalla mostrará las unidades en Celsius y en litros.



Presione la tecla del menú hasta que en la pantalla aparezca "SI" y 0 ó 1.



Ajuste las unidades del indicador del sistema estadounidense al internacional (de 0 a 1) con las teclas de menos y más.



5.2.7 Factor de recarga ■

El factor de recarga determina el porcentaje de contenido de energía en el tanque necesario para encender la bomba de calor. 40% significa que la bomba de calor se activará cuando quede el 40% del contenido del tanque. Esta cantidad puede ajustarse hasta un máximo del 60%.


Ajuste de fábrica	
Factor de recarga	% 40



Pulsar la tecla "Menú" hasta que en la pantalla aparezca una "L" seguida de un número.

FUNCIONAMIENTO


Configuración

 Con las teclas “Más” y “Menos” se puede modificar el valor. Margen de ajuste: 30-60%



5.2.8 Código de fallo ■



 Si el símbolo “Servicio / falla” se ilumina o parpadea, puede consultar el código de falla usando la tecla “Menú”. Este menú permanece deshabilitado si no ha surgido ningún fallo.

Véase 7.1, “Códigos de fallas”, pág. 54

5.2.9 Código de fallo E ■

Si el fallo se refiere al circuito de refrigeración, aparece un código de fallo precedido de “E”. Notifique a un contratista calificado.

5.3 Cambios en el modo de operación

Este artefacto tiene dos modos de operación que determinan el uso relativo de la bomba de calor respecto del calentador de refuerzo: Modo automático y modo de uso exclusivo de la bomba de calor.

5.3.1 Modo automático

El artefacto se entrega con la configuración de fábrica en el modo automático. En el modo automático, el agua se calienta principalmente con la bomba de calor para llegar a la Temperatura fijada 1 (Véase 5.2.3, “Temperatura fijada 1”, pág. 50), o Temperatura 2 (Véase 5.2.5, “Temperatura fijada 2”, pág. 51) Si el agua caliente del tanque se utiliza más rápido de lo que la bomba de agua puede reponer por sí misma, el modo automático activa de manera automática el calentador de refuerzo para proporcionar calentamiento adicional y una recuperación más rápida del agua caliente.

El modo automático equilibra el ahorro de energía con la comodidad del usuario al usar principalmente la bomba de calor y activar de manera automática el calentador eléctrico de refuerzo en momentos de alta demanda de agua caliente. El modo automático es el modo de funcionamiento recomendado para la mayoría de las instalaciones.

5.3.2 Modo de uso exclusivo de la bomba de calor

Durante la instalación un técnico puede configurar el artefacto en el modo de uso exclusivo de la bomba de calor. En este modo, el calentador de refuerzo no se activa durante el funcionamiento normal, y la bomba de calor es la única fuente de calentamiento. Si se vacía el contenido del tanque, el usuario debe esperar que la bomba de calor vuelva a calentar el tanque o presionar la tecla de calentamiento rápido para un calentamiento de confort de refuerzo (Véase 5.5.1, “Calentamiento de confort”, pág. 52).

El modo de uso exclusivo de la bomba de calor prioriza el ahorro de energía sobre la tasa de recuperación del agua caliente. El modo de uso exclusivo de la bomba de calor está recomendado para las instalaciones en las que resulta de máxima importancia controlar el uso de energía, como una instalación donde la electricidad está fuera de la red eléctrica. Observe que incluso cuando

el modo de uso exclusivo de la bomba de calor está seleccionado la protección contra congelamiento permanece activa (Véase 5.2.4, “Protección antiescarcha”, pág. 51).

5.4 Visualización de los códigos de fallas



Cuando esté en el menú de “unidades cambiantes”, presione la tecla del menú para pasar al menú de código de falla. Si ha ocurrido una falla, aparecerá un código de fallas. Si no ha ocurrido ningún error, este menú no está disponible.

Véase 7.1, “Códigos de fallas”, pág. 54.

5.5 Tecla de calentamiento rápido



Presione la tecla de calentamiento rápido.

Aparece el símbolo del elemento del elevador de tensión. Puede que aparezca el símbolo de la bomba de calor. Esto dependerá de cuál sea la temperatura del tanque cuando se oprima el botón.

5.5.1 Calentamiento de confort

La tecla de calentamiento rápido activa la función de calentamiento de confort, que permite que el calentador de agua satisfaga una alta demanda de ACS sin cambiar ninguna de las configuraciones normales del artefacto.

Cuando se activa el calentamiento de confort al presionar la tecla de calentamiento rápido, la bomba de calor y el calentador de refuerzo se activan en forma paralela, independientemente de la temperatura actual del tanque. La bomba de calor y el calentador de refuerzo permanecerán activos hasta que la temperatura del tanque alcance la temperatura fijada.

Además, el calentador de refuerzo funcionará en paralelo con la bomba de calor en el funcionamiento normal durante 48 horas. Después de las 48 horas, el artefacto vuelve a los parámetros antes fijados.



Nota

Los símbolos del calentador eléctrico de refuerzo y la bomba eléctrica de calor se muestran hasta que ha finalizado la función de calentamiento de confort.

Durante el calentamiento de confort, el símbolo del calentador de refuerzo se muestra hasta que la bomba de calor haya calentado la totalidad del tanque hasta la temperatura fijada y la función se desactive. El refuerzo eléctrico se apaga primero, cuando la sección superior del tanque alcanza la temperatura fijada.

5.5.2 Modo de emergencia

Si la bomba eléctrica de calor está descompuesta, se puede usar el calentador eléctrico de refuerzo en modo de respaldo para garantizar la producción de agua caliente. El suministro eléctrico al compresor se corta si el aumento de la temperatura del agua

es menor de 0.5 °F (0.25 °C) en un lapso de 13 horas. En ese caso se activa el código de falla "8", que comenzará a parpadear en el indicador. La tecla de falla parpadea en el indicador y un código de falla indica que el artefacto no está calentando el agua.

Para activar el modo de respaldo, presione la tecla de calentamiento rápido. Después de presionar la tecla de calentamiento rápido, el código de falla indicado aumenta en un valor de 256, ya que los códigos de fallas se suman entre sí (Véase 7.1, "Códigos de fallas", pág. 54). La tecla de falla continúa parpadeando.

Entonces, se activa el calentador de refuerzo.

La temperatura actual fijada (temperatura fijada 1 o temperatura fijada 2) no se tiene en cuenta. En el modo de emergencia, el artefacto funciona con una temperatura fija de 104 °F (40 °C). Después de una única activación de la función por medio de la tecla de calentamiento rápido, esta función permanece activa durante 7 días.

Después de 7 días de funcionamiento en modo de respaldo, se desactiva el calentador de refuerzo. El código de falla se muestra en la pantalla parpadea de nuevo "8".

Si se vuelve a presionar la tecla de calentamiento rápido dentro de los 7 días de funcionamiento en modo de respaldo, comenzará de nuevo el ciclo de 7 días en modo de emergencia.

Presionar la tecla de calentamiento rápido solo activa el modo de respaldo si previamente ocurrió una falla con el código 8. Presionar la tecla de calentamiento veloz en modo estándar activa el modo de calentamiento en 48 horas (Véase 5.5, "Tecla de calentamiento rápido", pág. 52)

La interrupción del suministro eléctrico desactivará el modo de respaldo inmediatamente. La bomba de calor intentará calentar nuevamente una vez que se restablezca la energía. Si la bomba de calor sigue sin funcionar, el modo de respaldo de emergencia se puede reactivar después de 13 horas.

5.6 Apagado de emergencia

En caso de emergencia, se deben seguir estos pasos:

- ▶ Interrumpa el suministro eléctrico activando el interruptor o desenchufando el calentador.
- ▶ Corte la entrada de agua fría.
- ▶ Notifique inmediatamente a un técnico calificado ya que, una vez que se interrumpe el suministro eléctrico, el artefacto no está protegido contra la corrosión.
- ▶ Vacíe el agua del tanque si hay un corte de electricidad que supere los 2 días.

6. Cuidado y mantenimiento



ADVERTENCIA Electrocutación
No inserte objetos a través de la rejilla al interior del artefacto.
Nunca rocíe el artefacto con agua.
Nunca rocíe agua dentro del artefacto.





ADVERTENCIA Lesiones
Solo un técnico calificado debe efectuar las tareas de mantenimiento, como las verificaciones eléctricas de seguridad.

Componentes del artefacto	Consejos para el cuidado y mantenimiento
Exterior	Use un trapo húmedo para limpiar las secciones exteriores. Nunca use productos de limpieza abrasivos o corrosivos.
Rejilla de entrada de aire / rejilla de descarga de aire	Limpie la rejilla de entrada de aire y la rejilla de descarga de aire cada seis meses. Las telas de araña y otros tipos de obstrucciones pueden restringir la entrada de aire al artefacto.
Tanque de agua	El tanque de agua está equipado con un ánodo de corriente impresa que no requiere mantenimiento y que protege el tanque de la corrosión. Para que el ánodo de corriente impresa ofrezca protección, no debe interrumpirse el suministro eléctrico cuando el tanque está lleno de agua. De otra manera existe el riesgo de corrosión.
Calentador eléctrico de refuerzo	Solicite periódicamente a un técnico autorizado que limpie los depósitos de cal que se acumulan en el calentador de refuerzo. Esto extenderá la vida útil del calentador de refuerzo.
Artefacto	Solicite periódicamente a un técnico calificado que controle los elementos de seguridad y el evaporador.
Drenaje de condensado	Desconecte el drenaje de condensado. Verifique que el drenaje de condensado no esté obstruido y quite cualquier suciedad de la conexión del drenaje de condensado del artefacto.

7. Resolución de problemas

Problema	Causa	Solución
No hay agua caliente disponible.	No llega electricidad 220-240 V al artefacto.	Verifique que el artefacto esté conectado a la red eléctrica 220-240 V.
	Se activó el interruptor del panel eléctrico.	Verifique si se activó el interruptor del panel eléctrico. De ser necesario, desconecte el artefacto de la red eléctrica y reemplace el interruptor. Comuníquese con el servicio técnico si el interruptor vuelve a activarse después de que el artefacto se conecta al suministro eléctrico.
	La entrada o la descarga de aire del artefacto se encuentran bloqueadas.	Verifique si la rejilla de entrada de aire y la rejilla de descarga de aire se encuentran obstruidas. Quite cualquier obstrucción (Véase 6, "Cuidado y mantenimiento", pág. 53). Compruebe el ajuste del termostato
	La temperatura ambiente supera el límite superior de aplicación (Véase 17.3, "Tabla de datos", pág. 72). Los elementos de seguridad del artefacto han respondido y el artefacto se ha apagado automáticamente.	Espere a que el artefacto se enfríe. Llame a un técnico calificado si el artefacto no se vuelve a encender automáticamente.
	La temperatura ambiente está por debajo del límite inferior de aplicación (Véase 17.3, "Tabla de datos", pág. 72). El evaporador se está descongelando.	Espere a que el artefacto se vuelva a encender automáticamente.

Problema	Causa	Solución
El artefacto no está calentando el tanque de agua aunque está encendido el símbolo de la bomba eléctrica de calor.	El tiempo de bloqueo del compresor todavía no ha finalizado. Cuando el compresor se apaga, solo vuelve a encenderse una vez finalizado el tiempo de bloqueo del compresor, de 20 minutos.	No se requiere acción.
La válvula de seguridad del suministro de agua fría está goteando.	Asegúrese de que un volumen de expansión suficiente se haya instalado en el circuito de ACS.	Notifique a un técnico calificado si la pérdida de agua continúa una vez finalizado el calentamiento. Verifique la hermeticidad de la válvula de P&T si se usa un filtro de arena. Si el volumen de expansión es demasiado reducido, instale un tanque de expansión más grande.
El drenaje de condensado gotea.	La temperatura superficial del evaporador es menor que el punto de rocío del aire del ambiente. Se forma un condensado.	La cantidad de condensado depende del nivel de humedad del aire.
La temperatura del ambiente descien- de demasiado.	La temperatura ambiente descende debido al proceso de la bomba eléctrica de calor.	El descenso de la temperatura depende de la demanda de agua caliente y del tamaño del lugar de instalación. Si el descenso de la temperatura del lugar de instalación es mayor a 7 °F (4 °C), verifique el tamaño del lugar de instalación.
El símbolo de servicio técnico permanece iluminado.	Véase 7.1, "Códigos de fallas", pág. 54	Avise a un técnico calificado.
		
El símbolo de servicio técnico parpadea y el agua no se calienta.	Véase 7.1, "Códigos de fallas", pág. 54	Es fundamental que notifique a un técnico calificado.
		
El símbolo de la bomba de calor se ilumina pero el compresor no está funcionando. El ventilador está funcionando.	El aparato se encuentra en modo de descongelación.	No se requiere acción.
El símbolo de la "bomba de calor" está parpadeando.	Existe una demanda de calor, pero el inicio del compresor está bloqueado.	No se requiere acción. El inicio del compresor se bloquea durante 20 minutos después de que se haya apagado durante el funcionamiento normal. El compresor se inicia automáticamente una vez transcurrido el tiempo de bloqueo de 20 minutos. El símbolo deja de parpadear automáticamente.

Problema	Causa	Solución
El símbolo de "calentador eléctrico de emergencia/ auxiliar" está parpadeado	Un controlador de temperatura ha apagado el "calentador eléctrico de emergencia / auxiliar" durante el modo de calentamiento rápido.	No se requiere acción. El aparato continúa el proceso de calentamiento rápido utilizando la bomba de calor. El símbolo deja de parpadear cuando el controlador libera el "calentador eléctrico de emergencia / auxiliar". El símbolo se apaga cuando la temperatura a lo largo del tanque acumulador alcanza la temperatura programada de 149 ° F (65 ° C)

7.1 Códigos de fallas

Si el símbolo de falla/servicio técnico parpadea o permanece encendido en el indicador, puede consultar el código de falla.



Presione la tecla de menú varias veces, hasta que se muestre el código de falla a continuación del menú de "Cambio entre unidades".

Aparece el código de falla



Código de falla	Símbolo de servicio técnico	Descripción de la falla	Solución
0		No hay ninguna falla.	
2	continuamente iluminado	El sensor de cúpula ha fallado. La temperatura que se muestra es medida por el sensor integrado. El aparato seguirá funcionando correctamente, pero la cantidad de agua mezclada marcará menos de 2 galones.	Si ocurre este error, llame a Stiebel Eltron para solicitar más información.
4	continuamente iluminado	El sensor integrado ha fallado. El indicador de agua mezclada no mostrará la cantidad correcta pero el artefacto seguirá funcionando normalmente.	Si ocurre este error, llame a Stiebel Eltron para solicitar más información.
6	parpadea	Tanto el sensor de cúpula como el integrado han fallado. El artefacto deja de producir calor.	Comuníquese con un técnico calificado.
8	parpadea	El artefacto ha reconocido que el tanque de agua no se ha calentado durante 13 horas a pesar de que existe demanda.	Puede seguir usando el artefacto si activa el modo de respaldo. Véase 5.5.2, "Modo de emergencia", pág. 52. Si ocurre este error, llame a Stiebel Eltron para solicitar más información.
16	continuamente iluminado	Cortocircuito en el ánodo de corriente impresa / falló el ánodo protector	Notifique inmediatamente a un técnico calificado, ya que si el ánodo de corriente impresa no funciona correctamente, el artefacto no está protegido contra la corrosión.

FUNCIONAMIENTO

Resolución de problemas

Código de falla	Símbolo de servicio técnico	Descripción de la falla	Solución
32	parpadea	El artefacto está funcionando con el tanque vacío o el artefacto no está produciendo calor. La corriente del ánodo se vio interrumpida. El artefacto no calienta.	Llene el artefacto de agua. El código de fallas desaparece y el artefacto se enciende. Un técnico debe verificar la conexión del ánodo de corriente impresa y el cableado interno.
128	continuamente iluminado	No hay comunicación entre el controlador y el indicador. Los valores seleccionados más recientemente están activos.	Verifique la conexión entre el visualizador y el tablero de control.
256	parpadea	Modo remoto activado manualmente (solo está activo el calentador eléctrico de refuerzo).	Véase 5.5.2, "Modo de emergencia", pág. 52.

7.1.1 Menú de códigos de fallo 2

Código de fallo	Símbolo de servicio	Descripción del fallo	Solución
E2	parpadeante	El sensor de temperatura del evaporador está defectuoso.	Llame a Stiebel Eltron para obtener más información si se produce este error.
E16	permanente encendido	El limitador de alta presión ha respondido. El modo de calentamiento del compresor está bloqueado temporalmente. El modo de calentamiento del compresor continuará tan pronto como la presión se haya normalizado.	Espere hasta que la presión se haya normalizado.
E32	permanente encendido	Temperatura del evaporador < temperatura mínima del evaporador.	Llame a Stiebel Eltron para obtener más información si se produce este error.
E64	parpadeante	La temperatura del evaporador es menos de -4°F. Puede deberse a una baja corriente de aire o a un problema con el ventilador.	Llame a Stiebel Eltron para más información si ocurre este error.
E128	parpadeante	Se ha producido un fallo permanente del presostato. Una falla de presión ocurrió varias veces dentro de un tiempo de evaluación de falla de presión definido.	Llame a Stiebel Eltron para más información si ocurre este error.

Si ocurre más de una falla, se suman los códigos de fallas.

Ejemplo: Si fallaron tanto el sensor de cúpula como el sensor integrado, el indicador muestra el código de falla 6 (=2+4).

Situaciones de aplicación del modo de emergencia

Si el artefacto muestra el código de falla 8, es posible activar manualmente el modo de emergencia. Si previamente ocurrió una falla de otro tipo, pero esta no hizo que se apagara el artefacto, el indicador puede mostrar un código de falla que sea resultado de distintas fallas sumadas.

A continuación se enumeran los códigos de fallas que le permitirán activar el modo de emergencia.

Código de fallo aparece	Códigos de fallo individuales
8	8
10	Código de fallo 8 + código de fallo 2
12	8+4
24	8+16
26	8+2+16
28	8+4+16
138	8+2+128
140	8+4+128
152	8+16+128
154	8+2+16+128
156	8+4+16+128

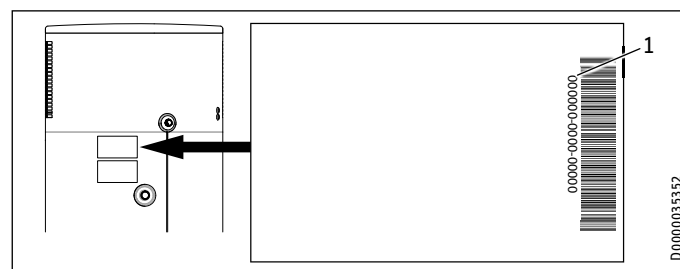
Cuando el artefacto opera en el modo de emergencia, el código de falla que se muestra aumenta en 256.

Código de fallo aparece en el Modo de emergencia	Códigos de fallo individuales
264	8+256
266	8+2+256
268	8+4+256
280	8+16+256
282	8+2+16+256
284	8+4+16+256
394	8+2+128+256
396	8+4+128+256
408	8+16+128+256
410	8+2+16+128+256
412	8+4+16+128+256

Comunicarse con un técnico calificado

Si usted no puede solucionar la falla, comuníquese con un técnico calificado. Para facilitar y agilizar su solicitud, proporcione el número de serie que se encuentra en la placa de identificación de la unidad (000000-0000-00000). La placa de identificación se encuentra arriba de la conexión de salida de agua caliente ("DHW outlet").

Ejemplo de placa de identificación



1 Número de serie que figura en la placa de identificación

INSTALACIÓN

8. Seguridad

Los trabajos de instalación, verificación, puesta en marcha y reparación del artefacto solo deben ser realizados por un técnico calificado.

8.1 Instrucciones generales de seguridad

Para evitar reparaciones durante el período de garantía, use solo accesorios o repuestos originales. Si necesita repuestos, comuníquese con el 800.582.8423.

8.2 Instrucciones, normas y regulaciones



Nota

Respete todas las regulaciones e instrucciones nacionales y regionales pertinentes.

Observe la placa de identificación del artefacto y lea atentamente el capítulo “Especificaciones”.

8.3 Uso incorrecto

Los siguientes usos no están permitidos:

- No instale el calentador de agua en pisos que no estén preparados para soportar el peso de la unidad.
- No instale el calentador de agua en lugares donde exista riesgo de que se forme escarcha.
- No instale el calentador de agua en lugares donde existan riesgos de explosiones debido a la presencia de polvo, gases o vapores.
- No haga caso omiso de los espacios mínimos de seguridad y zonas de seguridad.
- No instale incorrectamente la conexión eléctrica.
- No haga funcionar el calentador de agua con la cubierta destapada.
- No caliente otro líquido que no sea agua potable.
- No cargue el artefacto con ningún otro refrigerante que no sea R134a.

8.4 Calificaciones

En este manual, se describirá a los individuos calificados como “instaladores autorizados” o “técnicos calificados”.

Los instaladores autorizados y los técnicos calificados son responsables de respetar todas las regulaciones vigentes y pertinentes durante la instalación y la puesta en marcha.

8.4.1 Instaladores autorizados

Los instaladores autorizados están especialmente capacitados en su área. Los instaladores autorizados trabajan respaldados por su capacitación, conocimientos y experiencia, así como por su conocimiento de las normas y regulaciones pertinentes. Están capacitados para reconocer y prevenir posibles problemas.

8.4.2 Electricistas autorizados

Un electricista es un instalador autorizado que cumple con los requisitos mencionados anteriormente para las instalaciones eléctricas.

8.4.3 Plomeros autorizados

Un plomero es un instalador autorizado que cumple con los requisitos mencionados anteriormente para las instalaciones relacionadas con el suministro de agua.

8.4.4 Servicio de atención al cliente

Para realizar consultas al servicio de atención al cliente, comuníquese directamente con Stiebel Eltron al 800.582.8423.

9. Descripción del artefacto

La bomba eléctrica de calor está ubicada en la sección superior del artefacto. El tanque de agua está ubicado en la sección inferior del artefacto.

9.1 Entrega común

Junto con el artefacto, se entrega lo siguiente:

- Drenaje de condensado
- Válvula de T&P, 100 psi a 210 °F (6.9 bar a 99 °C), prueba de fugas

9.2 Accesorios requeridos

Están disponibles diversos elementos de seguridad, que deberán seleccionarse de acuerdo con la presión estática. Estos elementos de seguridad, testeados para su tipo específico de aplicación, protegen al artefacto contra el exceso de presión.

- Debe instalarse una válvula de reducción de presión de 70 psi (4.8 bar) para garantizar que la presión del agua que ingresa no supere nunca los 70 psi (4.8 bar).
- Un tanque de expansión de agua potable de 5 galones (19 litros) con una precarga de aire fijada en 70 psi (4.8 bar) debe instalarse en la línea de entrada de agua.

9.3 Accesorios adicionales

- Bomba de condensado (si la inclinación de base es insuficiente para el drenaje del condensado, use una bomba de condensado)

10. Preparativos

10.1 Transporte



PRECAUCIÓN Lesiones

- ▶ Observe el peso del artefacto.
- ▶ Use accesorios de transporte adecuados (por ejemplo, una carretilla de carga) y disponga de personal suficiente para el transporte.



Pérdidas materiales

- El artefacto es sumamente pesado y puede volcarse con facilidad.
- ▶ Asegúrese de que la unidad no quede inclinada.
- ▶ Solo apoye el artefacto sobre una base nivelada.

INSTALACIÓN

Preparativos



Pérdidas materiales

La cubierta exterior del artefacto no está diseñada para soportar presiones fuertes. El manejo indebido puede ocasionar pérdidas considerables. Respete las indicaciones que se incluyen en el embalaje.

Mientras transporta el artefacto, manténgalo dentro de su embalaje original y en el pallet. Ello permite mantener la posición horizontal y protege el artefacto durante el traslado.

Retire el embalaje inmediatamente antes de la instalación, y no desembale el artefacto hasta que no se encuentre en el lugar de instalación definitivo.

Transporte vehicular



Pérdidas materiales

Se recomienda almacenar y transportar el artefacto en posición vertical.

El artefacto puede transportarse en posición horizontal en carreteras que estén en buen estado. El artefacto no resiste las sacudidas fuertes.

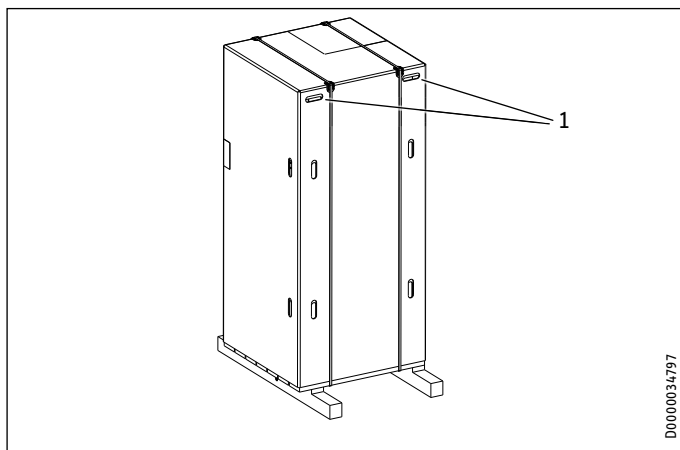


Pérdidas materiales

El artefacto no debe permanecer en posición horizontal durante más de 24 horas.

Si el artefacto se transportó en posición horizontal, debe ubicarse en posición vertical y permanecer así durante al menos una hora antes de su puesta en funcionamiento.

► Respete las indicaciones que se incluyen en el embalaje.



1 Manijas incorporadas

Traslado desde el vehículo hasta el lugar de instalación

La caja de cartón cuenta con manijas reforzadas en la parte superior. Es posible usar las manijas, así como el pallet del extremo inferior, para trasladar el artefacto hasta el lugar de instalación. Observe el peso del artefacto y asegúrese de que haya personal suficiente para manipularlo con seguridad.

10.2 Almacenamiento

Si es necesario almacenar el artefacto durante un período prolongado antes de su instalación, respete las siguientes recomendaciones:

- Almacene el artefacto únicamente en posición vertical. Nunca almacene el artefacto en posición horizontal.
- Almacene el artefacto en un lugar seco y libre de polvo.
- Evite que el artefacto entre en contacto con sustancias corrosivas.

10.3 Lugar de instalación

El artefacto no es apto para instalar en exteriores, excepto garajes.

Para evitar daños al artefacto:

- El lugar de instalación debe estar libre de gases y sustancias inflamables y altamente combustibles, así como de niveles altos de polvo.
- En el lugar de instalación no debe existir riesgo de escarcha.
- La temperatura de entrada del artefacto debe estar dentro de los límites de aplicación (Véase 17.3, "Tabla de datos", pág. 72).
- El piso del lugar de instalación debe estar nivelado y debe tener suficiente capacidad para soportar el peso del artefacto. Observe el peso del artefacto con el tanque de agua lleno (Véase 17.3, "Tabla de datos", pág. 72). Si el piso no tiene capacidad suficiente para soportar la presión, podría derrumbarse. Si el artefacto no está correctamente equilibrado, podría dañarse.
- El tamaño del lugar de instalación debe estar dentro de los límites de aplicación del artefacto (Véase 17.3, "Tabla de datos", pág. 72).
- Respete las distancias mínimas de seguridad y las zonas de protección.
- Siempre deje una distancia suficiente que permita el acceso para la instalación, el mantenimiento y la limpieza. Respete las distancias mínimas de seguridad (Véase 10.5, "Distancias mínimas", pág. 59).
- Asegúrese de que no se vea afectado el funcionamiento de ningún otro equipo que se encuentre en el lugar de instalación.
- Para reducir el riesgo de pérdidas en las tuberías, instale la unidad cerca de la cocina o el baño.
- Para evitar posibles molestias ocasionadas por el ruido que produce el artefacto cuando se encuentra en funcionamiento, nunca instale el artefacto cerca de los dormitorios.

Los siguientes lugares de instalación no están permitidos, debido al riesgo de que se dañe el artefacto:

- Lugares donde el aire está contaminado con aceite o sales
- Ambientes salinos
- Áreas próximas a máquinas de alta frecuencia
- Lugares donde el aire contiene amoníaco (por ejemplo, plantas de tratamiento de aguas residuales)
- Lugares donde el aire contiene cloro (por ejemplo, piscinas)
- En general, lugares donde el aire está altamente contaminado, por ejemplo, debido al polvo o a la presencia de sustancias agresivas

INSTALACIÓN

Preparativos



Nota

Los datos de rendimiento de este artefacto han sido determinados en cumplimiento con la norma pertinente a una temperatura del aire de 59 °F/15 °C. Por debajo de esa temperatura, se reduce la eficiencia del artefacto.



Nota

Es posible mejorar la eficiencia del artefacto utilizando el calor y la humedad residuales de otros artefactos (por ejemplo, secadoras o congeladores) para calentar el tanque de agua.

Emisiones de sonido

Los lados de entrada y descarga de aire del artefacto emiten más ruido que otras partes de la carcasa.

- ▶ Nunca coloque la entrada o salida de aire en dirección a las zonas de la casa más sensibles a los ruidos, por ejemplo, los dormitorios.

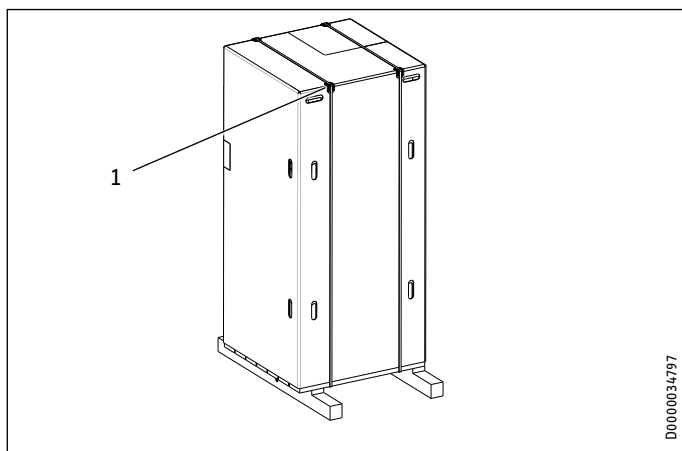


Nota

Para conocer más detalles sobre la emisión de ruidos, Véase 17.3, “Tabla de datos”, pág. 72.

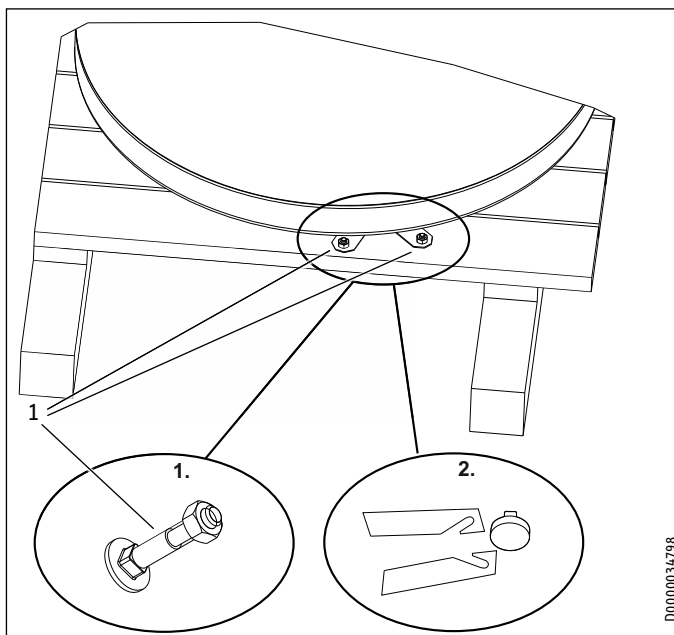
10.4 Colocación del artefacto

- ▶ Con cuidado, retire los sujetadores de la caja de cartón.



1 Sujetadores de la caja de cartón

El artefacto está sujeto al pallet por medio de soportes y tornillos de metal. Los soportes de metal están atornillados a las patas que se encuentran debajo del piso del artefacto.



1 Tornillo de fijación del soporte metálico

- ▶ Retire los tornillos de fijación de los soportes metálicos del pallet.
- ▶ Empuje los soportes metálicos ligeramente hacia el centro del tanque para desengancharlos de las patas del artefacto.
- ▶ Retire los soportes metálicos de la parte inferior del artefacto.



Pérdidas materiales

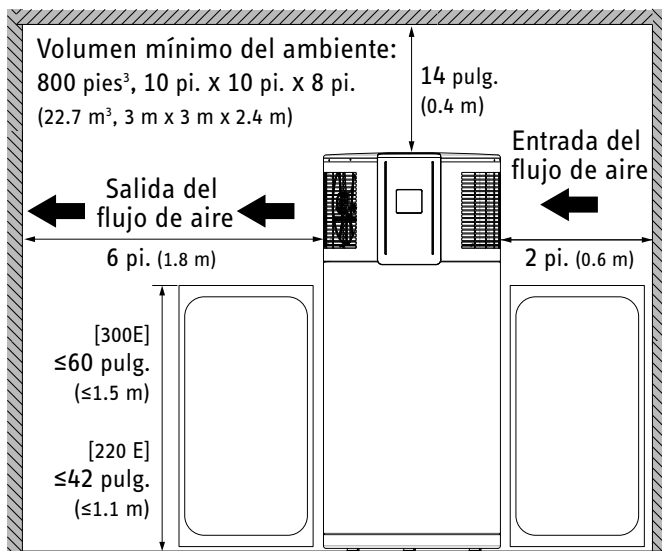
Observe el peso del artefacto, teniendo en cuenta que es sumamente pesado.

- ▶ Inclíne ligeramente el artefacto y hágalo rodar con cuidado para retirarlo del pallet.
- ▶ Coloque el artefacto en el lugar de instalación definitivo.

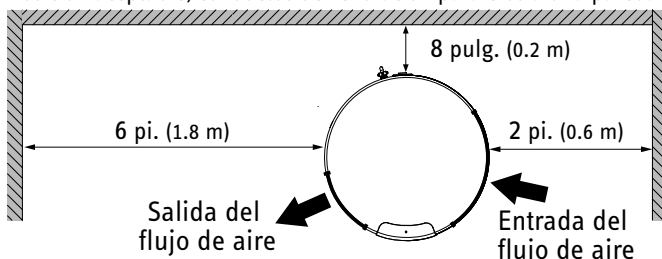
INSTALACIÓN

Instalación

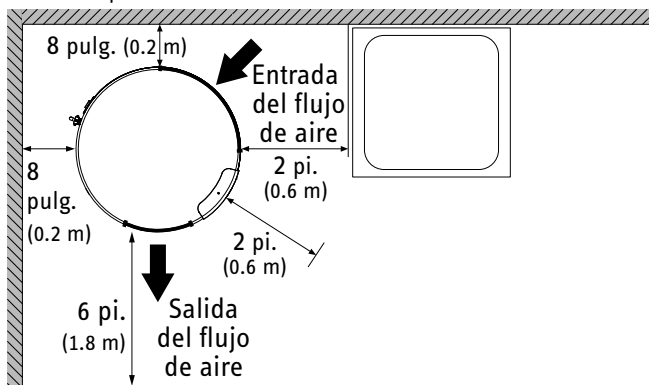
10.5 Distancias mínimas



Posición aceptable, conductos de ventilación paralelos a una pared:



Posición aceptable, conductos de ventilación paralelos a una pared en una esquina:



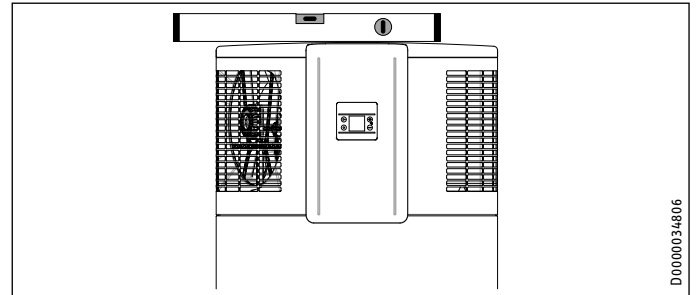
► Respete las distancias mínimas de seguridad.



Pérdidas materiales

La parte superior del artefacto debe estar en posición horizontal.

► Nivele el artefacto horizontalmente usando las patas ajustables.



ESPAÑOL

11. Instalación



ADVERTENCIA Lesiones

La instalación incorrecta puede ocasionar lesiones personales graves o pérdidas materiales.

Antes de realizar cualquier tipo de trabajo, asegúrese de que se respeten las distancias mínimas para la instalación.

Manipule con cuidado los componentes que tengan bordes filosos.

11.1 Conexión de tuberías



Pérdidas materiales

Todos los trabajos de conexión e instalación de tuberías deben realizarse de acuerdo con las regulaciones locales sobre plomería.



Pérdidas materiales

La protección contra la corrosión proporcionada por el ánodo sólo puede ser garantizada cuando la conductividad eléctrica del agua caliente sanitaria se encuentre dentro de los límites establecidos en el capítulo 17.3, "Tabla de datos"

Las siguientes combinaciones de materiales están aprobadas para la instalación de tuberías:

Entrada de agua fría	Salida de agua caliente
Tubo de cobre	Tubo de cobre
Tubo de acero	Tubo de cobre o de acero
Tubo PEX	Tubo PEX

► Enjuague bien la tubería antes de conectar el artefacto. Los cuerpos extraños, tales como las perlas de soldadura, el óxido, la arena o los selladores pueden afectar la confiabilidad operativa del artefacto.

INSTALACIÓN

Instalación



Pérdidas materiales

Para proteger las boquillas de conexión contra la corrosión, la conexión con la tubería de agua debe realizarse con cinta PTFE para sellado de roscas. No se permite el uso de cáñamo en las roscas de las boquillas debido al riesgo de corrosión.

11.1.1 Válvula de seguridad

El artefacto está compuesto por un tanque de agua caliente sellado herméticamente. El artefacto se entrega con una válvula de escape de temperatura y presión instalada de fábrica y testeada contra pérdidas.

- ▶ Instale una válvula de seguridad testeada para el tipo específico de uso en la tubería de suministro de agua fría. La presión de respuesta de la válvula de seguridad debe ser menor o igual a la presión de operación permitida del tanque de agua.

La válvula de seguridad protege al artefacto contra el exceso de presión.

- ▶ Asegúrese de que el agua de expansión que escapa por la válvula de seguridad pueda gotear dentro de un drenaje, por ejemplo, un tanque o un lavabo.

Asegúrese de que el drenaje no pueda cerrarse.

- ▶ El drenaje debe tener un tamaño suficiente para que el agua pueda drenar de forma ininterrumpida cuando la válvula de seguridad está totalmente abierta.
- ▶ Asegúrese de que el tubo de descarga de la válvula de seguridad tenga salida al aire libre.
- ▶ Instale el tubo de descarga de la válvula de seguridad con una pendiente descendiente constante y en una habitación que lo proteja contra la escarcha.

11.1.2 Válvula reductora de presión



Nota

Una válvula reductora de presión de 70 psi (4,8 bar) debe ser instalada para asegurar que la presión de la línea de agua entrante nunca supere 70 psi (4,8 bar).

11.1.3 Válvula de retención

Instale una válvula de retención en la tubería de agua fría (después de la válvula de reducción de presión, si está instalada) La válvula de retención es necesaria para evitar que el agua fluya hacia atrás y regrese a la tubería de agua fría.

11.1.4 Válvula de drenaje

Instale una válvula de drenaje adecuada en el punto más bajo de la entrada de agua fría.

11.1.5 Aislante térmico

Aísle la tubería de agua caliente contra las pérdidas de calor de acuerdo con las regulaciones locales pertinentes.

11.1.6 Circuito de recirculación

Stiebel Eltron desaconseja la instalación de este aparato en cualquier circuito de recirculación. Si se requiere un circuito de recirculación, puede volver a instalar la línea de retorno del circuito de recirculación por el puerto válvula T&P del aparato. La válvula T&P no se puede omitir, por lo que debe usarse una T con esta configuración. Asegúrese de que la sonda de la válvula T&P esté lo suficientemente sumergida.

Siempre instale un circuito de recirculación con un límite de termostato o un temporizador. Instalar sin estos artefactos hará que el aparato opere continuamente, lo que resultará en un alto consumo de electricidad y hará que el compresor funcione más veces, lo cual reducirá la vida del aparato y anulará la garantía.



Aviso

La eficiencia energética del Accelera se reducirá si se lo instala con un circuito de recirculación debido a la reducción en la estratificación térmica del tanque. Póngase en contacto con el servicio técnico de Stiebel Eltron si tiene otras dudas.

11.2 Drenaje de condensado

Instale una manguera de drenaje de condensado para retirar el condensado que se forma.

- ▶ Conecte el drenaje de condensado incluido en la entrega común a la conexión de drenaje de condensado ("Drain").
- ▶ Conecte la manguera de drenaje de condensado al codo de drenaje de condensado..



Pérdidas materiales

Asegúrese de que el drenaje de condensado no retenga el agua.

- ▶ Utilice una manguera de drenaje de condensado cuyo diámetro sea mayor que el diámetro del codo del drenaje de condensado.
- ▶ Asegúrese de que la manguera de drenaje de condensado no se doble.
- ▶ Ubique la manguera de drenaje de condensado de modo que tenga una pendiente continua.

El drenaje de condensado debe tener salida al aire libre.

- ▶ Si la pendiente de base es insuficiente, use una bomba de bomba de condensado adecuada. Observe las características del edificio.

INSTALACIÓN

Instalación

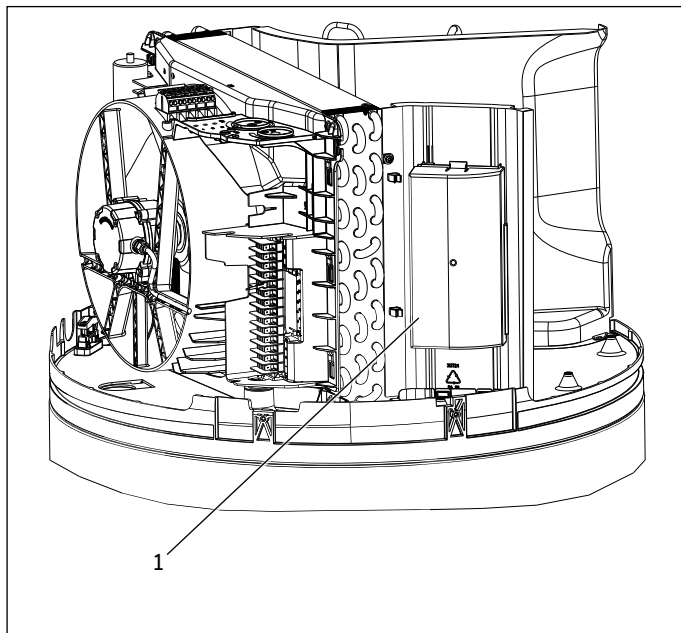
11.3 Cambios en el modo de operación

El artefacto se envía con la configuración de fábrica en el modo automático (Véase 5.3, “Cambios en el modo de operación”, pág. 52). Si el artefacto necesita configurarse en el modo de uso exclusivo de la bomba de calor, este debe seleccionarse antes de poner en funcionamiento el artefacto.

Para encender el modo activo, deben quitarse las cubiertas superior y lateral (Véase 16.1, “Remoción de la cubierta del artefacto”, pág. 66 & Véase 16.2, “Remoción del anillo de la cubierta”, pág. 67).

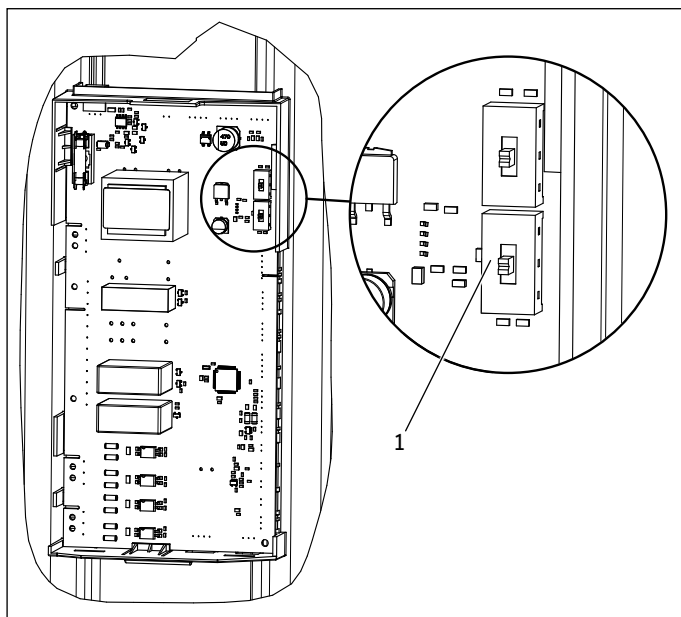


ADVERTENCIA Electrocutación
Asegúrese de que el aparato esté desconectado del suministro de energía antes de cambiar el modo de operación o de realizar cualquier otro servicio.



1 Cubierta del tablero de control

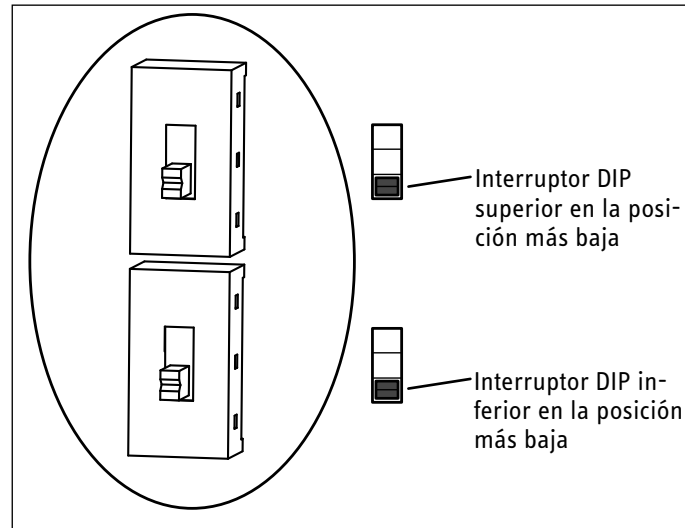
Quitar la cubierta del tablero de control.



1 Modo de operación interruptores DIP

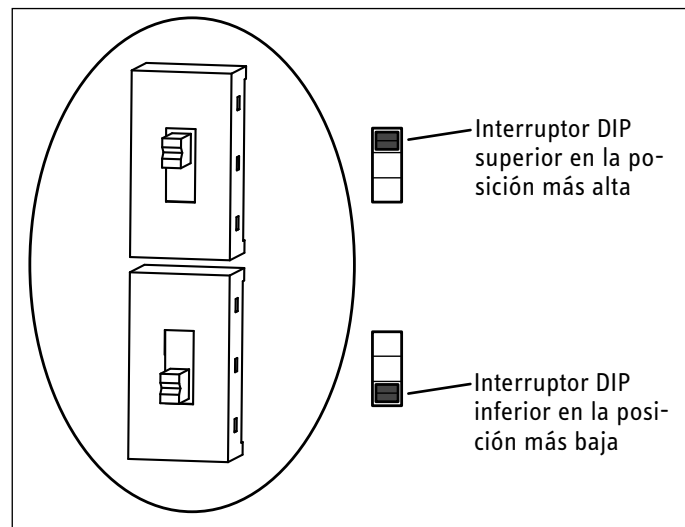
11.3.1 Modo inicial

El aparato viene de fábrica en el modo automático (Véase 5.3.1, “Modo Automático”, pág. 52). Este modo se activa cuando el interruptor DIP superior y el inferior están colocados en la posición más baja.



11.3.2 Modo de uso exclusivo de la bomba de calor

Se puede ajustar el aparato en el modo solo bomba de calor (Véase 5.3.2, “Modo de uso exclusivo de la bomba de calor”, pág. 52). Este modo se activa cuando el interruptor DIP superior está colocado en la posición más alta y el interruptor DIP inferior está colocado en la posición más baja.



11.4 Suministro eléctrico



ADVERTENCIA Electrocutación

Todos los trabajos de conexión e instalación eléctrica deben realizarse de acuerdo con las regulaciones nacionales y regionales.



ADVERTENCIA Electrocutación

Si el artefacto está permanentemente conectado al suministro eléctrico, se debe establecer una manera de separarlo de la red eléctrica mediante un aislante que desconecte el terminal doble con al menos 1/8 pulg./ 4 mm de distancia entre contactos. Para ello, es posible usar contactores, interruptores de desconexión o interruptores.



ADVERTENCIA Electrocutación

► Respete las regulaciones de seguridad para evitar el contacto con piezas peligrosas que conduzcan la electricidad.



ADVERTENCIA Electrocutación

El contacto con partes que conducen electricidad pone en riesgo la vida. Antes de realizar trabajos en el panel de control, desconecte el artefacto de la red eléctrica. Evite conectar el suministro eléctrico mientras trabaja en el sistema.



ADVERTENCIA Electrocutación

Una conexión a tierra insuficiente supone un riesgo de electrocutación. Asegúrese de que el artefacto esté conectado a tierra de acuerdo con los requisitos locales vigentes.



ADVERTENCIA Electrocutación

El cable eléctrico solo puede ser reemplazado (por ejemplo, si está dañado) por un repuesto original. Todo reemplazo debe ser efectuado por un técnico calificado autorizado por el fabricante. Para solicitar un repuesto original, comuníquese con Stiebel Eltron al 800.582.8423 y solicite el número de parte 315650.



Pérdidas materiales

El voltaje que recibe el artefacto debe ser el voltaje especificado en la placa de identificación de la unidad.



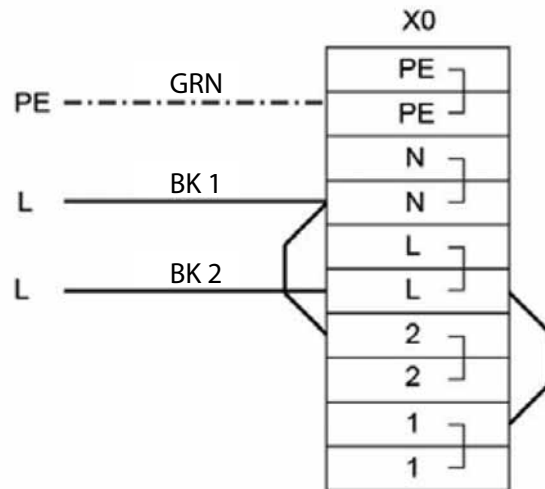
Pérdidas materiales

Nunca conecte el artefacto a la red eléctrica antes de llenar el tanque de agua.

11.4.1 Conexión normal sin transmisor de señal externa

La configuración de la conexión estándar de este aparato utiliza dos conexiones de carga en las terminales X0/L & X0/N con una conexión a tierra en X0/PE. Esta conexión requiere un disyuntor de Tipo C de dos polos y 1 a 15 amperios.

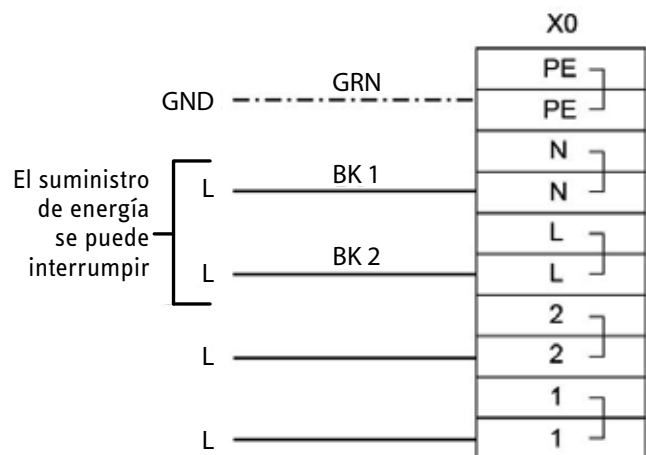
En esta configuración, el aparato opera para cumplir con el valor de referencia primario.



11.4.2 Conexión con horario de menor consumo de energía

El aparato se puede conectar a una conexión aparte de 240 V para una configuración potencial de la fuente de energía en horario de menor consumo. Para conectar esta configuración, se deben ligar dos conexiones de carga adicionales a las terminales X0/2 & X0/1. Se deben quitar los puentes entre las terminales X0/N & X0/2 y entre X0/L & X0/1.

La conexión en las terminales X0/N & X0/L es la conexión principal para el funcionamiento. El instalador se puede configurar para que lo interrumpa un medio externo y se use con un temporizador o la configuración operativa en horario de menor consumo. La segunda conexión de carga en las terminales X0/2 & X0/1 solo sirve para mantener la protección contra la corrosión por medio del ánodo impreso electrónicamente durante la interrupción de energía de la conexión primaria.



INSTALACIÓN

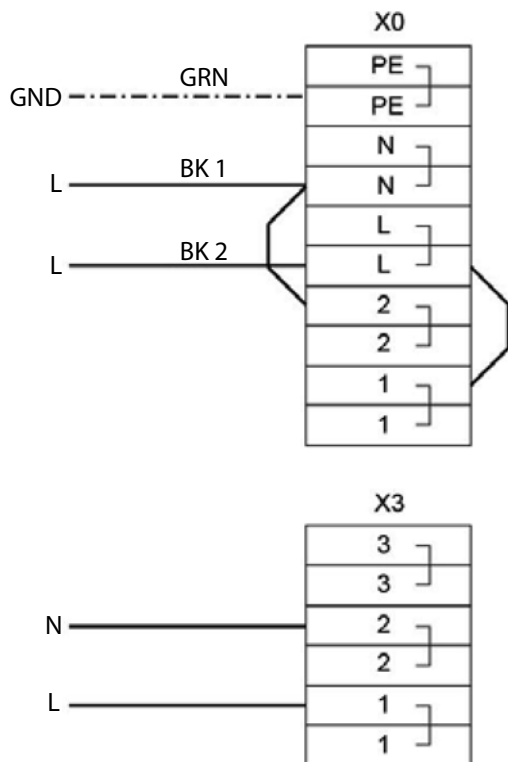
Instalación

11.4.3 Conexión con transmisor de señal externa

El aparato se puede conectar a una señal externa además de la conexión estándar. Se deben conectar dos cables con un potencial de 240 V a las terminales X3/2 & X3/1. La conexión X3 no lleva una carga significativa, y solo brinda una señal de encendido/apagado al aparato.

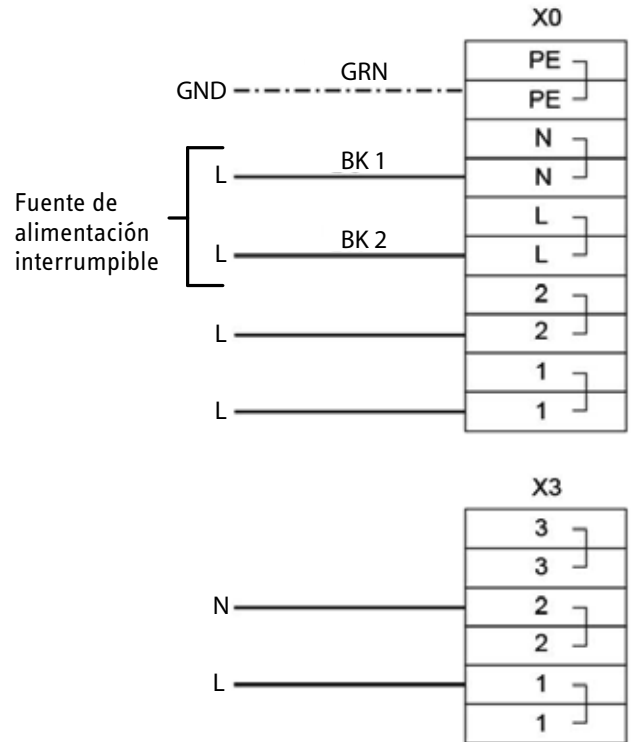
Cuando esta señal está activa, el aparato funcionará para cumplir con el valor de referencia secundario en lugar del primario. Vea 5.2.5, "Definir la temperatura 2", pág. 13, para más información.

Después de la activación de la señal externa (la señal externa se presenta por un minuto, por lo menos), definir la temperatura 2 se activa por 20 minutos, por lo menos.



11.4.4 Conexión con transmisor de señal externa y horario de menor consumo

El aparato se puede operar en un modo que combina la señal externa y la conexión de energía en horario de menor consumo. Este modo necesitaría las dos conexiones de carga en el bloque terminal X0 y la señal libre de potencial en el bloque terminal X3.

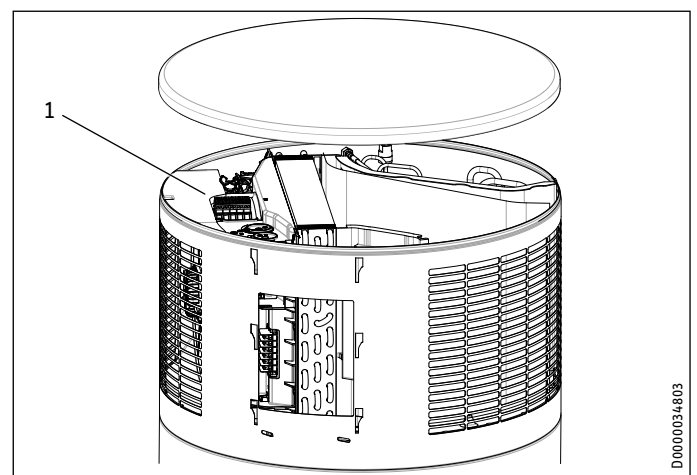


Nota

► Nunca conecte el terminal X3/1 con un cable.

11.4.5 Conexión al bloque de terminales X0

► Retire la cubierta del artefacto (Véase 16.1, "Remoción de la cubierta del artefacto", pág. 66).



1 Terminal X0

El artefacto viene pre-cableado con un cable. Si es necesario volver a instalar el cableado del artefacto, siga los siguientes pasos al reconectar el cable.

- ▶ Prepare los cables para conectarlos al terminal X0 de modo que cada cable que termine en el X0 tenga una férula de alambre.
- ▶ Pase los cables a través del alivio de tensión.
- ▶ Conecte los cables al X0 (Véase 11.4.3, “Conexión con transmisor de señal externa”, pág. 63).

11.5 Ensamblaje del artefacto



Nota

Cuando termine de trabajar en el artefacto, vuelva a colocar la cubierta. Véase 16.10, “Colocación de la cubierta del artefacto”, pág. 68.

12. Puesta en marcha

12.1 Puesta en marcha



Pérdidas materiales

Nunca conecte el artefacto a la red eléctrica antes de llenar el tanque de agua.



Nota

Después de una interrupción del suministro eléctrico, el compresor permanece bloqueado durante al menos un minuto para que el tablero de control electrónico pueda inicializarse.

Si posteriormente el compresor no arranca, puede que esté bloqueado por elementos adicionales de seguridad (Klixon e interruptor de alta presión). La interrupción debida al klixon del compresor se cancela automáticamente una vez solucionada la sobrecarga térmica.

Si se activó el interruptor de alta presión, es posible reiniciar la unidad manualmente una vez que la presión desciende por debajo de 246 psi (17 bar). Normalmente, esa presión se alcanza 5 minutos después de solucionar la causa del inconveniente.

12.1.1 Llenado del tanque de agua

Para llenar el tanque de agua y purgar la tubería, utilice el siguiente procedimiento:

- ▶ Cierre la válvula de drenaje.
- ▶ Abra todas las llaves del tanque de agua y la válvula de cierre de la red de agua fría.
- ▶ Apenas empiece a salir agua por las llaves del tanque, cierre las llaves.

12.1.2 Configuración / verificación de funciones

- ▶ Para verificar la función, seleccione la temperatura máxima fijada.

Un aumento de la temperatura fijada permite mezclar más agua pero reduce la eficiencia de la unidad. Una reducción de la temperatura fijada aumenta la eficiencia de la unidad pero reduce la cantidad de agua mezclada disponible. Para prevenir el contagio de legionella, nunca reduzca la temperatura fijada por debajo de 122 °F (50 °C).

12.1.3 Entrega del artefacto

- ▶ Explique el funcionamiento del artefacto a los usuarios y permítalos familiarizarse con su utilización.
- ▶ Informe a los usuarios sobre los posibles peligros, especialmente el riesgo de quemaduras.
- ▶ Informe a los usuarios acerca de los factores ambientales críticos y los requisitos del lugar de instalación.
- ▶ Informe a los usuarios que es posible que gotee agua de la válvula de seguridad durante el proceso de calentamiento.
- ▶ Entregue a los usuarios estas instrucciones de uso e instalación y recomíéndeles que las guarden en un lugar seguro.

12.2 Reinicio

Si el artefacto se apaga debido a una interrupción del suministro eléctrico, no es necesario tomar medidas específicas para reiniciarlo una vez normalizado el suministro de energía. El artefacto ha guardado los parámetros más recientes y continuará funcionando con dichos parámetros.

Si estaba activada la función de calentamiento de confort cuando se interrumpió el suministro eléctrico, se reactivará una vez normalizado el suministro de energía.

13. Ajustes

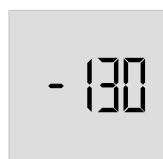
■ Menú de servicio

Acceso al menú de servicio mediante la entrada de código



Pulse la tecla “Menú” durante más de 3 segundos. Aparece el número de versión de software del controlador PCB.

Pantalla	Número de versión
310	3.1.00



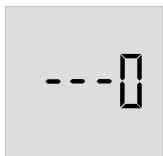
Para visualizar el número de versión de software de la tarjeta de la unidad de mando, pulsar la tecla “Más”.

Pantalla	Número de versión
-130	1.3.00



Para pasar a la introducción del código, pulsar la tecla “Menos”.

Para pasar del número de versión de software de la placa de circuito impreso del controlador directamente a la introducción del código, pulsar la tecla “Menos”.



Para pasar a la lectura de los dígitos del código, pulsar la tecla “Calentamiento rápido”. El dígito actualmente activo parpadea.

+

Ajustar el primer dígito con las teclas “Más” y “Menos”.



○

Para ajustar el siguiente dígito, pulsar la tecla “Calentamiento rápido”.

Para confirmar el código después de introducir todos los dígitos, pulsar la tecla “Calentamiento rápido”.

Menú de servicio

- Desplazamiento integral del sensor
- Ajustar el volumen del cilindro
- Bloqueo del compresor debido a una falla en el evaporador
- Bloqueo claro de alta presión
- Bloqueo claro de baja presión
- Temperatura de las aletas del evaporador
- Número de fallos de desescarche
- Número de disparadores de baja presión
- Número de disparadores de alta presión
- Reemplazo del sensor integral
- Fijar límite de valor

Los parámetros de este menú están reservados para contratistas cualificados.

14. Apagado



Pérdidas materiales

Si desconecta el artefacto de la red eléctrica, dejará de estar protegido contra la escarcha.

- ▶ Si desconecta el artefacto de la red eléctrica por un período prolongado, drene el tanque de agua.

Si no se utilizará el agua caliente por un período prolongado, también drene el tanque de agua. Véase 16.4, “Drenaje del tanque”, pág. 67.

La única manera de apagar el artefacto es desconectarlo de la red eléctrica.

- ▶ Desenchufe el artefacto o desconecte el interruptor.

15. Resolución de problemas



ADVERTENCIA Riesgo de electrocución

Antes de realizar cualquier trabajo en el artefacto, desconéctelo de la red eléctrica.

- ▶ Para realizar trabajos en el interior del artefacto, retire la cubierta (Véase 16.1, “Remoción de la cubierta del artefacto”, pág. 66).
- ▶ Si es necesario, retire la parte superior de la cubierta (Véase 16.2, “Remoción del anillo de la cubierta”, pág. 67).



Nota

Cuando termine de trabajar en el artefacto, vuelva a instalar el anillo de la cubierta. Véase 16.9, “Instalación del anillo de la cubierta”, pág. 68.



Nota

Cuando termine de trabajar en el artefacto, vuelva a colocar la cubierta. Véase 16.10, “Colocación de la cubierta del artefacto”, pág. 68.

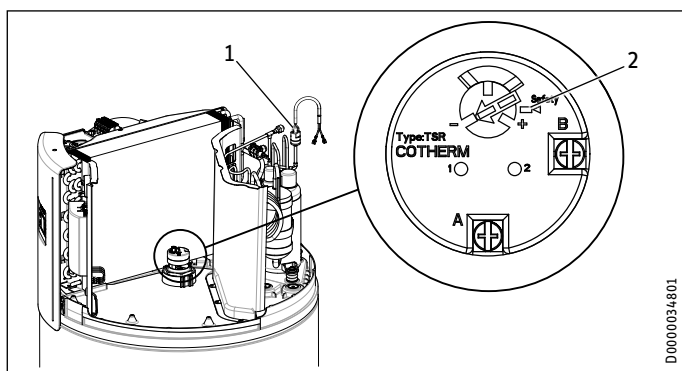
15.1 Tabla de fallas

Falla	Causa	Solución
El artefacto se apaga inesperadamente y no vuelve a encenderse.	Presión excesiva en el circuito del refrigerante. Se ha activado el limitador de presión de seguridad. El compresor se ha apagado.	Elimine la causa del aumento de presión en el circuito del refrigerante. Espere de 5 a 15 minutos aproximadamente hasta que se normalice la presión del artefacto. Reinicie el limitador de presión de seguridad (Véase 15.2, “Reinicio del limitador de presión de seguridad”, pág. 65).
El artefacto está funcionando fuera de los límites de aplicación. La temperatura ambiente ha superado el límite permitido. Se ha activado el limitador de presión de seguridad.	El artefacto está funcionando fuera de los límites de aplicación. La temperatura ambiente ha superado el límite permitido. Se ha activado el limitador de presión de seguridad.	Asegúrese de que se respete el límite de aplicación. Espere de 5 a 15 minutos aproximadamente hasta que se normalice la presión del artefacto. Reinicie el limitador de presión de seguridad (Véase 15.2, “Reinicio del limitador de presión de seguridad”, pág. 65).
El compresor se apaga inesperadamente.	Se ha producido una sobrecarga térmica del compresor. Se ha activado el relé de sobrecarga del motor.	Solucione la causa de la sobrecarga térmica. Espere a que el artefacto se reinicie.
El artefacto genera menos calor.	Una de las causas posibles es el flujo de aire inadecuado en el evaporador.	Verifique si el ventilador está contaminado. Verifique si el evaporador está contaminado. Asegúrese de que no haya obstrucciones en la entrada y salida de aire.

Para obtener explicaciones sobre los códigos de fallas, Véase 7.1, “Códigos de fallas”, pág. 54.

15.2 Reinicio del limitador de presión de seguridad

Si la presión en el interior del circuito del refrigerante supera el valor máximo permitido, el limitador de presión de seguridad apaga el compresor. El limitador de presión de seguridad también puede activarse si el artefacto supera el límite de aplicación permitido o si falla el controlador de temperatura de la bomba de calor.



- 1 Botón de reinicio del limitador de presión de seguridad
- 2 Botón de reinicio del corte de seguridad por exceso del límite de temperatura

- Una vez solucionada la causa de la falla, presione el botón de reinicio del limitador de presión de seguridad.

15.3 Reinicio después del corte de seguridad por exceso del límite de temperatura

El corte de seguridad por exceso del límite de temperatura evita que el artefacto se recaliente. El calentador eléctrico de refuerzo se apaga cuando la temperatura del agua del tanque supera los $189 \pm 10^\circ \text{F}$ ($87 \pm 5^\circ \text{C}$).

Una vez solucionada la causa de la falla, presione el botón de reinicio del corte de seguridad por exceso del límite de temperatura en el termostato. Para ello, retire la cubierta del artefacto.

15.4 Relé de sobrecarga del motor

Cuando existe una sobrecarga térmica del compresor, el relé de sobrecarga del motor apaga el compresor.

- Solucione la causa.

Después de un breve período de enfriamiento, el relé de sobrecarga del motor reiniciará el compresor automáticamente.

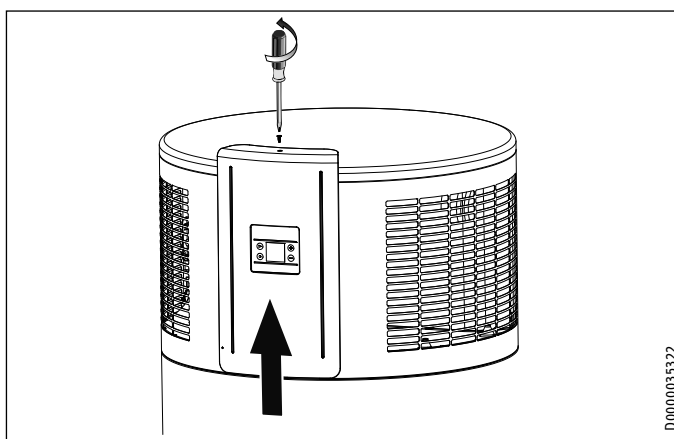
16. Limpieza y mantenimiento



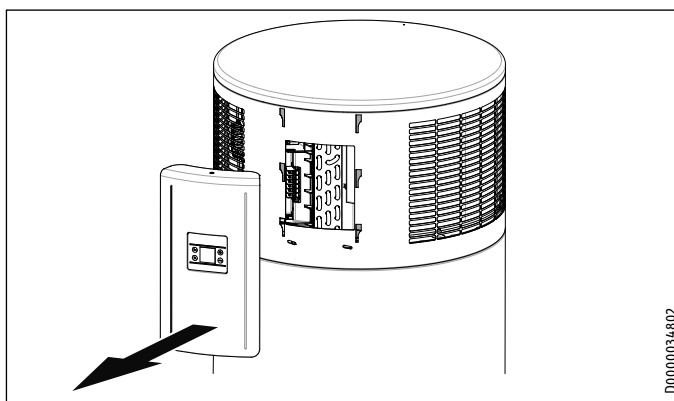
ADVERTENCIA Electrocutación

Antes de realizar cualquier trabajo en el artefacto, desconéctelo de la red eléctrica.

16.1 Remoción de la cubierta del artefacto



- Retire el tornillo (Torx) que sujeta el panel de control y la cubierta del artefacto.
- Empuje hacia arriba el panel de control.



- Retire el panel de control.
- Un cable conecta los controles con el panel electrónico de control. Si es necesario, desconecte la parte trasera del panel de control para retirar el panel.
- Con cuidado, levante y retire la tapa del artefacto y desconecte el cable a tierra que conecta el panel de control con la cubierta.



Nota

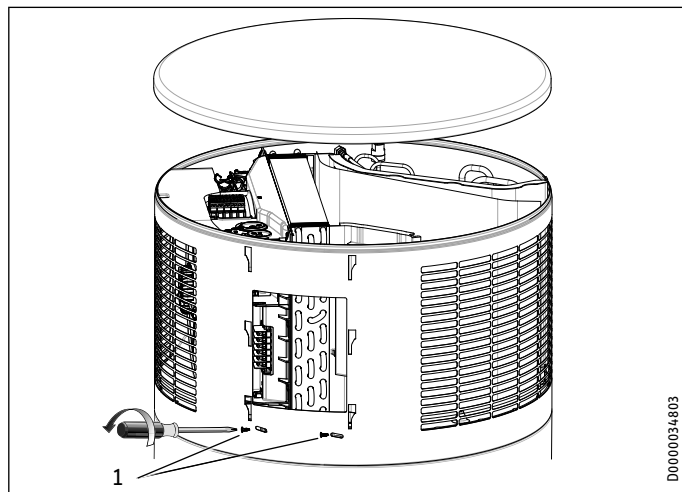
Cuando termine de trabajar en el artefacto, vuelva a colocar la cubierta. Véase 16.10, "Colocación de la cubierta del artefacto", pág. 68.

16.2 Remoción del anillo de la cubierta



Nota

Si necesita más espacio para trabajar en el interior del artefacto, puede retirar la cubierta de la parte superior del artefacto.



1 Tornillos de fijación del anillo de la cubierta

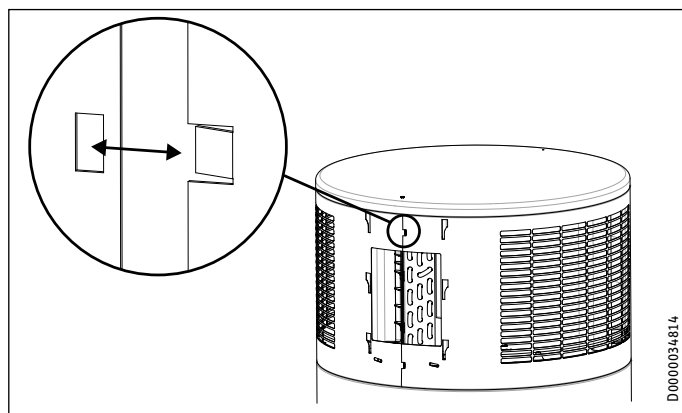
El anillo de la cubierta está sujeto con tornillos.

- ▶ Retire los tornillos de fijación de la cubierta.
- ▶ Retire el codo y el collarín del drenaje de condensado. Para ello, gire las piezas en dirección antihoraria.
- ▶ Si el cable de alimentación está flojo, inserte el sobrante en la caja para tensarlo.
- ▶ De ser necesario, quite los cables del bloque de terminales X0 para poner a un lado el anillo de revestimiento.



Pérdidas materiales

Un cable a tierra está conectado al interior del anillo de la cubierta. Para retirar la cubierta superior, es necesario desconectar el cable a tierra.



El anillo de la cubierta se extiende a lo largo de la junta. Un sujetador que sale de uno de los extremos del anillo de la cubierta se ajusta a una muesca ubicada en el otro extremo.

- ▶ Tire del anillo de la cubierta hasta que pueda retirarse o deslizarse hacia abajo.



Nota

Cuando termine de trabajar en el artefacto, vuelva a instalar el anillo de la cubierta. Véase 16.9, "Instalación del anillo de la cubierta", pág. 68.

16.3 Limpieza del evaporador



ADVERTENCIA Lesiones

El evaporador posee varias aletas con bordes filosos. Limpie el evaporador con cuidado y use indumentaria de protección, especialmente guantes de seguridad.

Las aletas del evaporador poseen un recubrimiento hidrofílico que reduce la corrosión y elimina la tensión superficial de las gotas de agua condensada. Ello tiene un efecto de autolimpieza, por lo tanto, la limpieza que requiere el evaporador es mínima. Sin embargo, se debe revisar el evaporador para detectar signos de contaminación y corrosión, y limpiarlo según sea necesario.

Retire el tornillo que sujeta la cubierta del artefacto en el lado superior del panel de control.

- ▶ Retire el panel de control y la cubierta del artefacto.
- ▶ Limpie con cuidado las aletas del evaporador. Use agua y un cepillo suave. Nunca use productos de limpieza ácidos o alcalinos.

16.4 Drenaje del tanque



ADVERTENCIA Quemaduras

Al drenar el tanque de agua, puede salir agua caliente.

Para drenar el tanque de agua, por ejemplo, antes de apagar el artefacto, realice el siguiente procedimiento:

- ▶ Desconecte el artefacto de la red eléctrica.
- ▶ Cierre la válvula de la red de agua fría.

El tanque se drena por la red de agua fría.

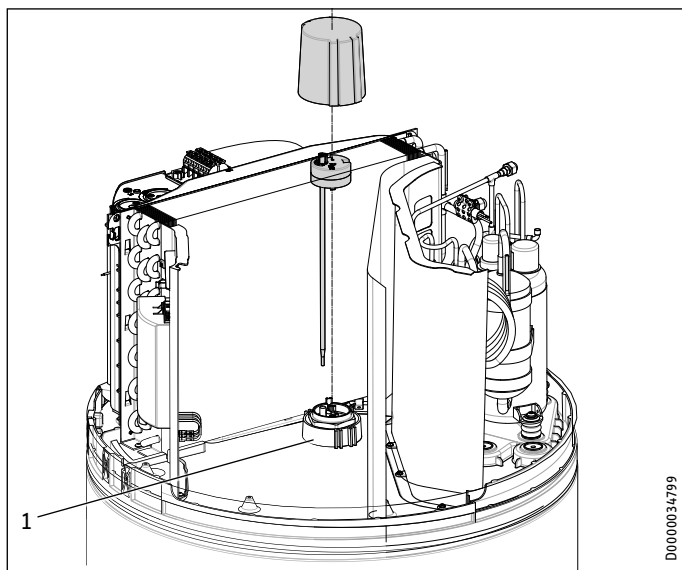
- ▶ Abra la válvula de drenaje instalada en la conexión de agua fría (Véase 11.1, "Conexión de tuberías", pág. 59). Si no se ha instalado ninguna válvula de drenaje, corte el suministro de agua fría mediante la conexión de entrada de agua fría ("CW inlet").

- ▶ Abra una de las llaves de un fregadero.

En la parte inferior del tanque de agua quedará agua residual.

16.5 Limpieza del depósito de cal del calentador eléctrico de refuerzo

Solo limpie los depósitos de cal de la brida del calentador eléctrico de refuerzo después de retirarla, y nunca trate el interior del tanque de agua ni el ánodo de corriente impresa con agentes de limpieza de depósitos de cal. El calentador eléctrico de refuerzo está atornillado al artefacto en un punto central ubicado en la parte superior.



1 Calentador eléctrico de refuerzo con ánodo protector

16.6 Ánodo protector

La brida del calentador eléctrico de refuerzo está equipada con un ánodo que protege el artefacto contra la corrosión mientras está conectado a la red eléctrica. El ánodo protector es un ánodo de corriente impresa que no requiere mantenimiento.

Si un código de falla indica que hay un desperfecto en el ánodo protector, realice el siguiente procedimiento:

- ▶ Retire el controlador del calentador eléctrico de refuerzo.
- ▶ Revise el conector del ánodo protector y el cableado.
- ▶ Vuelva a instalar el controlador en el calentador de refuerzo.

16.7 Válvulas

Revise las válvulas del sistema (válvula de seguridad, válvula reductora de presión, válvula de drenaje, igualador de presión, válvula mezcladora) con regularidad para garantizar el funcionamiento confiable del artefacto. La cantidad de depósitos de cal depende de la calidad del agua local.

- ▶ Revise todas las válvulas del sistema y elimine los depósitos de cal.
- ▶ Reemplace las válvulas según sea necesario.
- ▶ Verifique el funcionamiento correcto de las válvulas.

16.8 Reemplazo del cable eléctrico



ADVERTENCIA Electrocutión

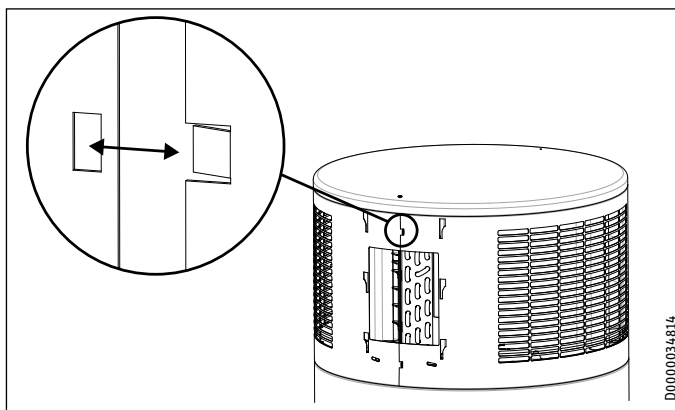
Si el cable eléctrico está fallado, reemplácelo por uno nuevo. El cable eléctrico solo puede ser reemplazado por un técnico calificado. Por favor, póngase en contacto con Stiebel Eltron en 800.582.8423 para piezas de repuesto.

16.9 Instalación del anillo de la cubierta



ADVERTENCIA Electrocutión

▶ Vuelva a conectar el anillo de la cubierta con el cable a tierra.



- ▶ Instale el anillo de la cubierta en la parte superior. El anillo de la cubierta se extiende a lo largo de la junta. Un sujetador que sale de uno de los extremos del anillo de la cubierta se ajusta a una muesca ubicada en el otro extremo.
- ▶ Atornille el anillo.
- ▶ Vuelva a colocar el codo y el collarín en el drenaje de condensado.

16.10 Colocación de la cubierta del artefacto



ADVERTENCIA Electrocutión

▶ Vuelva a conectar la cubierta del artefacto con el cable a tierra.

- ▶ Vuelva a colocar la tapa en la parte superior del artefacto.
- ▶ Conecte el cable a tierra con el terminal a tierra correcto.
- ▶ Conecte a la parte trasera del panel el cable que une los controles con el panel de control del artefacto.
- ▶ Inserte el panel de control.
- ▶ Asegure la cubierta del artefacto y el panel de control con el tornillo ubicado en la parte superior del panel de control.

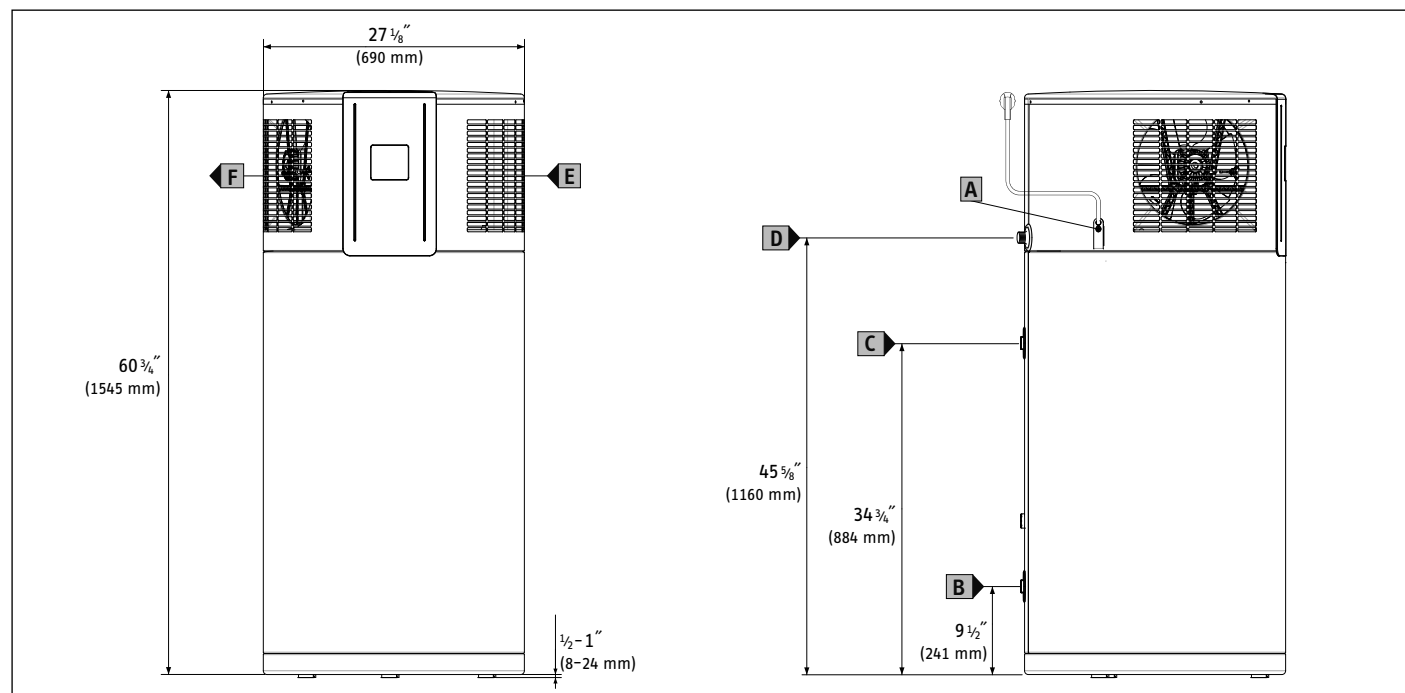
INSTALACIÓN

Especificaciones

17. Especificaciones

17.1 Dimensiones y conexiones

17.1.1 Accelera® 220 E



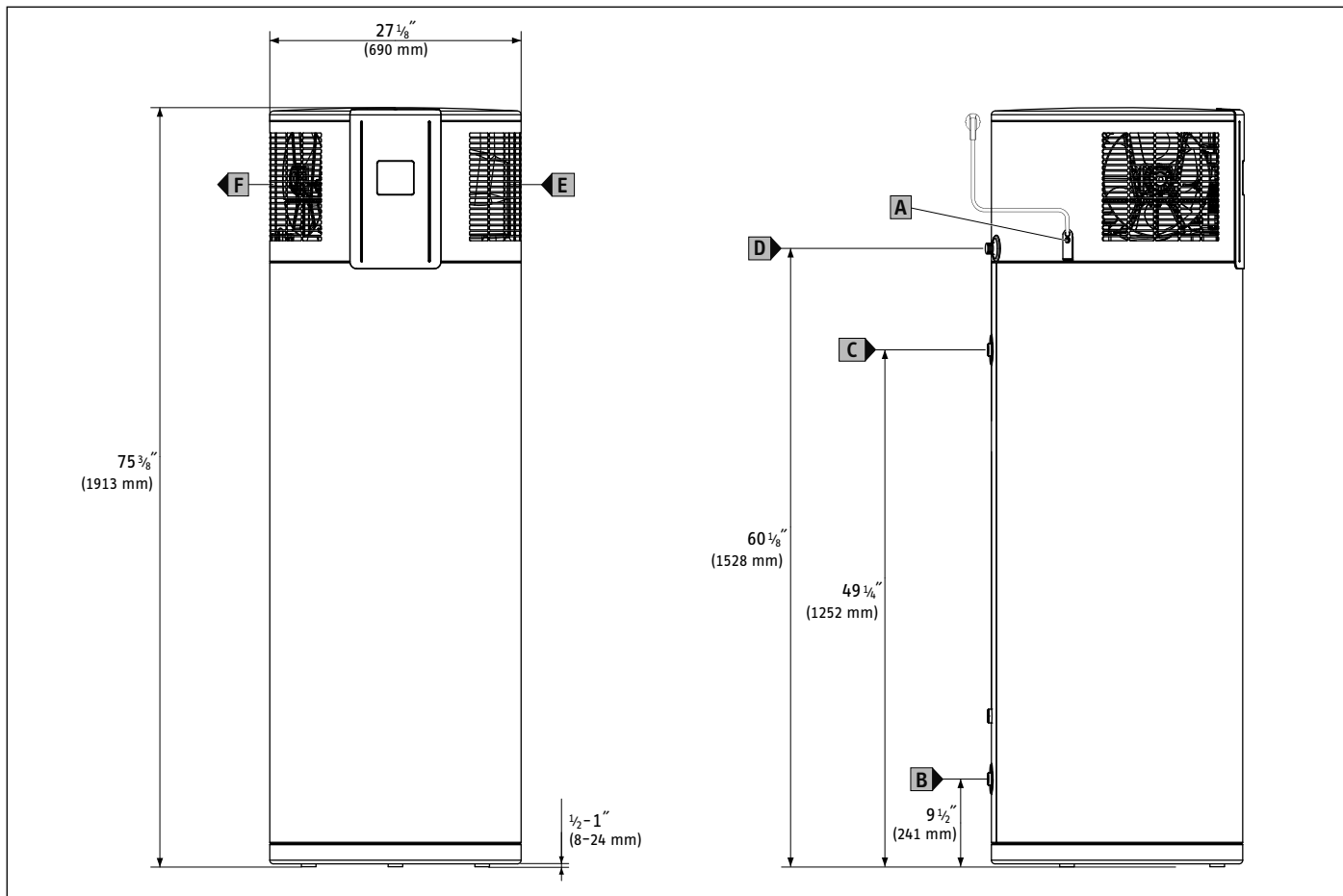
ESPAÑOL

Accelera® 220 E		
A	Entrada de cables eléctricos	
B	Entrada de agua fría	Rosca macho
C	Salida de agua caliente	Rosca macho
D	Drenaje de condensado	Rosca macho
E	Entrada de aire	
F	Salida de aire	
		NPT de 1 pulg.
		NPT de 1 pulg.
		R de 3/4 pulg. a 1/2 pulg. codo de púas

INSTALACIÓN

Especificaciones

17.1.2 Accelera® 300 E

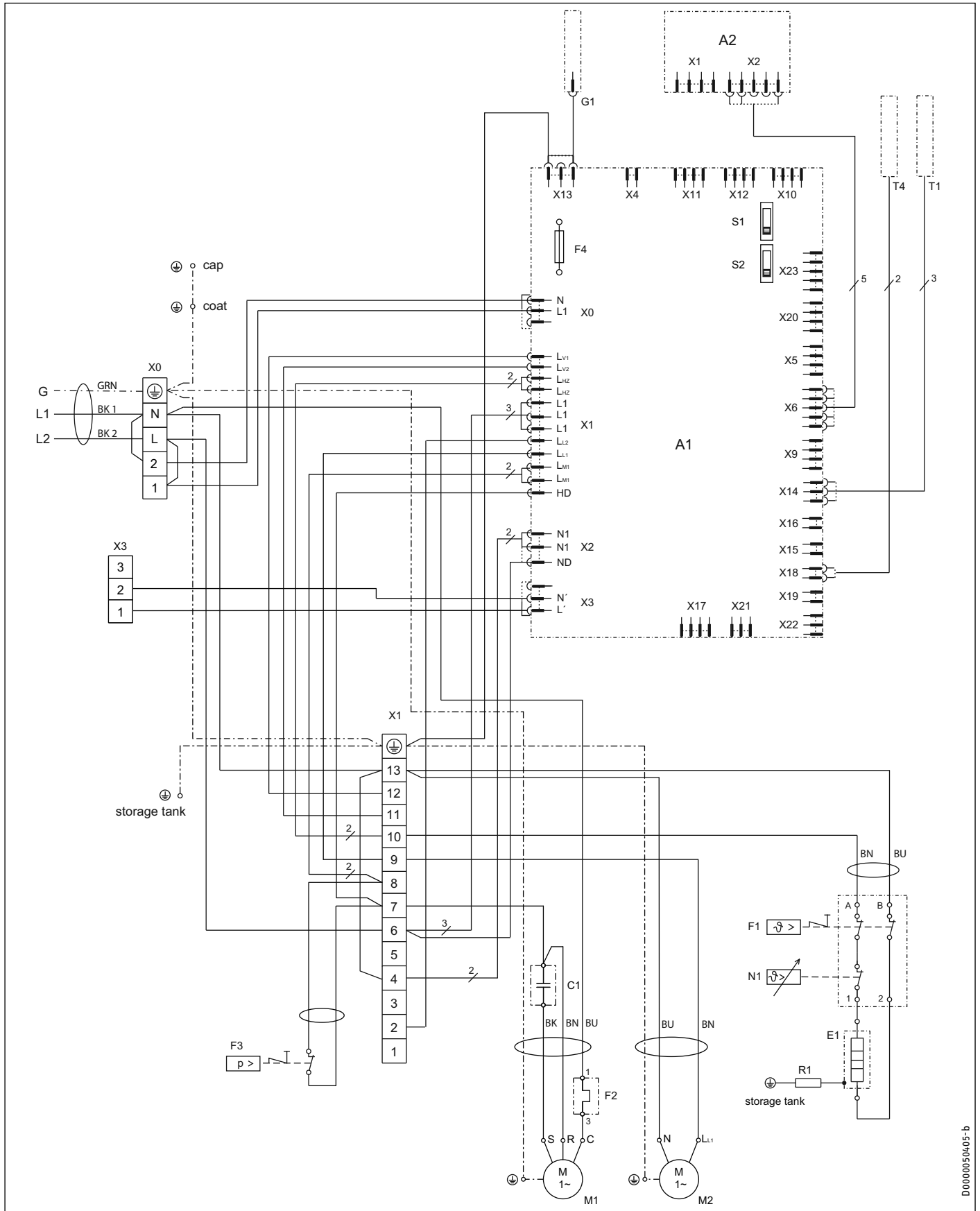


Accelera® 300 E		
A	Entrada de cables eléctricos	
B	Entrada de agua fría	Rosca macho
C	Salida de agua caliente	Rosca macho
D	Drenaje de condensado	Rosca macho
E	Entrada de aire	
F	Salida de aire	

INSTALACIÓN

Especificaciones

17.2 Diagrama de cableado



ESPAÑOL

D0000050405-b

INSTALACIÓN

Especificaciones

A1	Placa electrónica, unidad de control	N1	Termostato 149 °F ±8 (65 °C ±5)
A2	Placa electrónica, unidad de programación	R1	Resistor de 380 ohmios
C1	Capacitor	S1	Interruptor DIP, modo de operación
E1	Calentador de refuerzo, 1.5 kW	S2	Interruptor DIP
F1	Corte de seguridad por exceso del límite de temperatura, 189 °F ±8 (87 °C ±5)	T1	Sensor, cúpula/integrado
F2	Relé de sobrecarga del motor M1	T4	Sensor, evaporador
F3	Interruptor de alta presión, 348 psi (24 bar)	X0	Terminal eléctrico
F4	Fusible	X1	Terminales internos
G1	Ánodo de corriente impresa	X3	Terminal
M1	Compresor	Storage tank	Tanque
M2	Ventilador	Cap	Tapa
		Outer jacket	Cubierta



Pérdidas materiales

Si el X0/2 está conectado, el suministro eléctrico del artefacto debe ser una conexión permanente (Véase 11.4.2, “Conexión con horario de menor consumo de energía”, pág. 62). Nunca intercambie L1 y N.



Nota

► Nunca conecte el terminal X0/1 con un cable.

17.3 Tabla de datos

	Accelera® 220 E	Accelera® 300 E
	233058	233059
Datos hidráulicos		
Capacidad nominal	58 gal (220 l)	79.8 gal (302 l)
Límites de aplicación		
Temperatura máxima del agua	149 °F (65 °C)	
Límites mín./máx. de aplicación de la fuente de calor	42 a 108 °F (6 a 42 °C)	
Espacio mín. delante de la rejilla de entrada y descarga de aire	15 ³ / ₄ pulg. (400 mm)	
Espacio mínimo sobre el artefacto	13 ³ / ₄ pulg. (350 mm)	
Área mínima del piso en el lugar de instalación	64.6 pies ² (6 m ²)	
Volumen mínimo del lugar de instalación	800 pies ³ (13 m ³)	
Presión máx. de operación permitida, agua fría/caliente	116 lb/pulg. ² (0.8 MPa)	
Mín./máx. Conductividad, agua potable	100-1500 µS/cm	
Detalles de salida del EN 16147		
Temperatura nominal del agua	131 a 149 °F (55 a 65 °C)	
Cantidad máxima de agua disponible en el tanque a 104 °F (40 °C)	91.7 gal (347 l)	108.9 gal (412 l)
Tiempo de calentamiento a temperatura ambiente de 59 °F (15 °C)	8.7 hs	8.83 hs
Tiempo de calentamiento a temperatura ambiente de 44 °F (7 °C)	11.99 hs	12.52 hs
Consumo de energía, período de reposo [EN 16147 / A15]	174 Btu/hr (0.051 kW)	96 Btu/hr (0.028 kW)
Consumo de energía, período de reposo [EN 16147 / A7]	212 Btu/hr (0.062 kW)	136 Btu/hr (0.040 kW)
Emisión de calor		
Emisión de calor promedio [EN 16147 / A15]	5528 Btu/hr (1.62 kW)	5596 Btu/hr (1.64 kW)
Emisión de calor promedio [EN 16147 / A7]	3992 Btu/hr (1.17 kW)	4368 Btu/hr (1.28 kW)
Consumo de energía		
Consumo de energía promedio de la bomba eléctrica de calor con el aire a 59 °F (15 °C)	1877 Btu/hr (0.55 kW)	2047 Btu/hr (0.60 kW)
Consumo de energía promedio de la bomba eléctrica de calor con el aire a 44 °F (7 °C)	1808 Btu/hr (0.53 kW)	1808 Btu/hr (0.53 kW)
Consumo máximo de energía de la bomba eléctrica de calor (sin incluir el inicio)	2216 Btu/hr (0.65 kW)	2216 Btu/hr (0.65 kW)
Consumo de energía, calentador de refuerzo	5115 Btu/hr (1.50 kW)	5115 Btu/hr (1.50 kW)
Consumo máximo de energía de la bomba eléctrica de calor + calentador de refuerzo	7331 Btu/hr (2.15 kW)	7331 Btu/hr (2.15 kW)
Energy Star		
Factor energético	3.05	3.39
Índice de primera hora	50.3 gal (190.4 l)	75.1 gal (284.3 l)
D.O.E. consumo de energía anual estimado	1406 kWh/año	1289 kWh/año
Datos eléctricos		
Conexión eléctrica	L1,L2,G / 220-240 V / 60/50 Hz	
Corriente máx. de operación	8.54 A	
Corriente máx. de inicio	23.44 A	
Interruptor requerido	15 A, Type C	

INSTALACIÓN

Especificaciones

	Accelera® 220 E	Accelera® 300 E
Datos de sonido*		
Nivel de potencia sonora [EN 12102]	60 dB(A)	
Nivel de presión sonora a 3.3 pies (1 m)	52 dB(A)	
Versiones		
Calificación IP	IP24	
Refrigerante	R134a	
Capacidad de refrigerante	1.9 lb (0.85 kg)	2.0 lb (0.90 kg)
Potencial de calentamiento global del refrigerante (GWP100)	1430	
CO ₂ equivalente (CO ₂ e)	1216 t	
Longitud aprox. del cable eléctrico	78 ³ / ₄ pulg. (2000 mm)	
Dimensiones y pesos		
Altura	60 ⁷ / ₈ pulg. (1545 mm)	75 ¹ / ₄ pulg. (1913 mm)
Diámetro	27 ¹ / ₈ pulg. (690 mm)	
Altura de la unidad inclinada	66 ⁵ / ₈ pulg. (1692 mm)	80 ¹ / ₈ pulg. (2034 mm)
Altura de la unidad inclinada incluyendo el embalaje	74 ⁵ / ₈ pulg. (1895 mm)	87 ³ / ₄ pulg. (2230 mm)
Dimensiones del embalaje [Altura x Ancho x Profundidad]	68 ¹ / ₂ pulg. (1740 mm) x 29 ¹ / ₈ pulg. (740 mm) x 29 ¹ / ₈ pulg. (740 mm)	82 ⁵ / ₈ pulg. (2100 mm) x 29 ¹ / ₈ pulg. (740 mm) x 29 ¹ / ₈ pulg. (740 mm)
Peso de la unidad vacía	264.5 lb (120 kg)	297.6 lb (135 kg)
Peso de la unidad llena	748.5 lb (339.5 kg)	956.6 lb (433.9 kg)
Valores		
Pérdidas por hora en modo de espera	70.4 Btu/hr (21 W)	87 Btu/hr (25 W)
Tipo de ánodo	Ánodo de corriente impresa	
Velocidad del flujo de aire	324 pi ³ /min (550 m ³ /h)	

Los detalles de rendimiento se refieren a nuevos dispositivos con intercambiadores de calor limpios. Datos nominales según EN 16147 / bomba de calor para aire recirculado.

* El nivel de potencia del sonido mide la energía del sonido emitida por una fuente. El nivel de presión del sonido (SPL) mide el nivel de sonido (volumen) a una distancia de la fuente. La SPL varía según el entorno acústico y la precisión del dispositivo de medición.

18. Garantía

GARANTÍA LIMITADA

Sujeto a los términos y condiciones expresados en esta garantía limitada de por vida, Stiebel Eltron, Inc. (el "Fabricante") por la presente asegura al comprador original (el "Propietario") que cada calentador de agua por bomba eléctrica de calor (el "Calentador") estará libre de defectos en los materiales del Fabricante o la mano de obra por un período de:

1. (10 años) desde la fecha de compra para instalaciones de vivienda residencial unifamiliar
2. (1 año) desde la fecha de compra para todas las demás instalaciones
3. (Excluido) ánodo de sacrificio o electrónico

Como única y exclusiva solución para el Propietario en cuanto a la presente garantía, el Fabricante, a discreción del Fabricante, reparará en fábrica o reemplazará el Calentador defectuoso con una unidad o repuesto de reemplazo con características de funcionamiento comparables. La máxima responsabilidad del Fabricante en cualquier circunstancia se limitará al precio de compra del Calentador que pagó el Propietario.

Esta garantía limitada será la garantía exclusiva que el Fabricante otorga, y reemplaza todas las demás garantías, expresas o implícitas, escritas u orales, que incluyen pero no se limitan a las garantías de comerciabilidad o adecuación para un fin determinado. El Fabricante no será responsable de daños incidentales, indirectos o contingentes o gastos que surjan, de manera directa o indirecta, de cualquier defecto del Calentador o del uso del mismo. El Fabricante no será responsable por daños ocasionados por el agua o cualquier otro daño a la propiedad del Propietario que surja, de manera directa o indirecta, de cualquier defecto del Calentador o del uso del mismo. Solo el Fabricante está autorizado a conceder todas las garantías en representación del Fabricante, y ninguna declaración o garantía realizada por cualquier otra parte será vinculante para el Fabricante.

El Fabricante no será responsable de ningún daño relacionado o causado por:

1. cualquier uso indebido o falta de cuidado del Calentador, cualquier accidente que afecte al Calentador, cualquier alteración al Calentador, o cualquier otro uso incorrecto;
2. casos fortuitos o circunstancias sobre las cuales el Fabricante no tiene control;
3. instalación del Calentador que se desvíe de las directivas del Fabricante o no observe los códigos de construcción pertinentes;
4. instalación defectuosa y/o uso de materiales inapropiados por parte de cualquier instalador y que no se relacione con defectos en los repuestos o la mano de obra del Fabricante;
5. negligencia en cuanto a mantener el Calentador u operar el Calentador según las especificaciones del Fabricante;
6. componentes defectuosos no instalados originalmente por el

Fabricante o que no formaban parte de la unidad al momento de la venta;

7. exposición a condiciones de congelamiento;
8. exposición a sustancias químicas peligrosas, agua contaminada, líquidos corrosivos u atmósfera corrosiva;
9. instalación del Calentador en un circuito cerrado sin un tanque de expansión térmica con un tamaño adecuado y correctamente instalado;
10. hacer funcionar el Calentador sin el ánodo de corriente impresa electrónicamente instalado por la fábrica, o el ánodo de sacrificio;
11. reemplazo del calentador eléctrico de refuerzo con una unidad no fabricada por Stiebel Eltron o que supere en potencia al calentador de refuerzo instalado originalmente;
12. conexión del Calentador a un voltaje o servicio inadecuado;
13. hacer funcionar el Calentador en condiciones de presión de agua fluctuante o excesiva o en caso de que el Calentador se alimente de agua no potable durante un período de cualquier duración;
14. hacer funcionar la unidad cuando está vacía o solo parcialmente llena de agua potable;
15. instalar o hacer funcionar el Calentador en exteriores;
16. hacer funcionar el Calentador a temperaturas superiores a las recomendadas por el Fabricante;
17. no drenar adecuadamente la unidad después de cortes de energía que duren más de dos días;

Si el Propietario desea devolver el Calentador al Fabricante para su reparación o reemplazo bajo esta garantía, el Propietario debe obtener primero la autorización por escrito del Fabricante. El Propietario deberá presentar una prueba de compra, incluida la fecha de compra, y será responsable de los costos de desinstalación y transporte. Si el Propietario no puede demostrar una fecha de compra, esta garantía se limitará al período que comienza a partir de la fecha de compra impresa en el Calentador. El Fabricante se reserva el derecho de negar la cobertura de esta garantía después de examinar el Calentador. Esta garantía se limita al Propietario y es intransferible.

Algunos Estados y Provincias no permiten la exclusión o limitación de ciertas Garantías. En dichos casos, las limitaciones aquí expresadas pueden no aplicarse al Propietario. En dichos casos esta Garantía se limitará al período más corto y las menores cifras de daños permitidas por ley. Esta Garantía le da derechos legales específicos y puede que usted tenga otros derechos que variarán de Estado a Estado y de Provincia a Provincia.

El Propietario será responsable de todos los costos de mano de obra y otros cargos incurridos al retirar o reparar el Calentador en el lugar de instalación. Por favor obsérvese que el Calentador debe instalarse de tal manera que, en caso de pérdida, el flujo de agua de la pérdida no dañe el lugar en que está instalado.

Medioambiente y reciclaje

Por favor, ayúdenos a proteger el medioambiente. Desechar el aparato y el embalaje de acuerdo con las normativas nacionales.

KYOTO | R134a

Este dispositivo se rellena en fábrica con un refrigerante. R134a. El refrigerante R134a es un gas CFC de efecto invernadero mencionado en el protocolo de Kyoto, con un potencial de calentamiento global (GWP100) = 1430. Nunca libere el refrigerante R134a en la atmósfera.

Esta Garantía solo es válida en Estados Unidos y Canadá. Las garantías pueden variar de un país a otro. Consulte a su representante de Stiebel Eltron local para conocer la Garantía correspondiente a su país.

GUIDE DE DÉMARRAGE RAPIDE POUR L'ACCELERA® 220/300 E

MODE D'EMPLOI

1. Généralités	80
1.1 Instructions relatives à la sécurité	80
1.2 Autres symboles dans ce document.	80
1.3 Unités de mesure	80
1.4 Données de sortie normalisées	80
2. Sécurité	80
2.1 Usage prévu	80
2.2 Usage incorrect	81
2.3 Généralités relatives à la sécurité	81
2.4 Désignation ETL	82
2.5 Étiquettes de l'appareil	82
3. Inscrivez votre produit	84
4. Description de l'appareil	84
4.1 Principe de fonctionnement de la thermopompe	84
4.2 Chauffage du réservoir d'ECS	85
4.3 Fonctionnement de l'appareil en dehors des limites de l'application	85
4.4 Dégivrage	85
4.5 Protection contre le gel	86
4.6 Cycle minimum et temps de pause minimum	86
5. Réglages	86
5.1 Affichages et commandes	86
5.2 Réglages	87
5.3 Changer le mode de fonctionnement	89
5.4 Rappel des codes de défaillance	89
5.5 Touche du chauffage rapide	89
5.6 Arrêt d'urgence	90
6. Maintenance et entretien	90
7. Dépannage	91
7.1 Code de défaillance	91

INSTALLATION

8. Sécurité	93
8.1 Généralités relatives à la sécurité	93
8.2 Directives, normes et règlements	93
8.3 Usage incorrect	93
8.4 Qualification	93
9. Description de l'appareil	94
9.1 Livraison normale	94
9.2 Accessoires obligatoires	94
9.3 Autres accessoires	94
10. Préparations	94
10.1 Transport	94
10.2 Entreposage	95
10.3 Site d'installation	95
10.4 Placement de l'appareil	95
10.5 Distances minimales	96

11. Installation	97
11.1 Raccordements d'eau	97
11.2 Tuyau d'écoulement	98
11.3 Changer le mode de fonctionnement	98
11.4 Configuration électrique	99
11.5 Assemblage de l'appareil	101
12. Mise en service	101
12.1 Mise en service	101
12.2 Remise en service	101
13. Réglages	101
14. Désactivation	102
15. Dépannage	102
15.1 Tableau des défaillances	102
15.2 Réenclenchement du limiteur de pression de sécurité	102
15.3 Réenclenchement de l'interrupteur de sécurité de limite supérieure	103
15.4 Relais de surcharge thermique du moteur	103
16. Entretien et nettoyage	103
16.1 Retrait du couvercle de l'appareil.	103
16.2 Retrait du collier de l'enveloppe	103
16.3 Nettoyage de l'évaporateur	104
16.4 Purge du réservoir	104
16.5 Détartrage de l'élément électrique auxiliaire	104
16.6 Anode protectrice	104
16.7 Soupapes	105
16.8 Remplacer le câble électrique	105
16.9 Pose du collier de l'enveloppe	105
16.10 Pose du couvercle de l'appareil.	105
17. Spécification	106
17.1 Dimensions et connexions	106
17.2 Schéma de câblage	108
17.3 Tableau de données	109
18. Garantie	111

MODE D'EMPLOI

Ce manuel comprend des informations importantes pour vous aider à manipuler ce chauffe-eau efficacement et en toute sécurité. Veuillez conserver ce manuel à proximité du chauffe-eau en permanence.

Les travaux ne doivent être effectués que par un technicien agréé qui aura lu et compris ces directives. Il est impératif de respecter tous les codes locaux, provinciaux et fédéraux en vigueur. Le non-respect de cette directive pourrait entraîner une défaillance de l'appareil ou des blessures graves, voire mortelles.

Avant de commencer les travaux, déconnectez l'alimentation électrique.

Les illustrations présentées dans ce guide sont destinées à vous aider à mieux comprendre et peuvent être légèrement différentes de la version du chauffe-eau en votre possession. Aucune réclamation s'appuyant sur ces installations ne sera prise en considération.

Responsabilité limitée :

Nous avons synthétisé tous les détails et informations dans ce manuel en tenant compte des normes et règlements en vigueur, des dernières technologies et des années d'expérience et de savoir-faire dont nous pouvons nous enorgueillir.

Les dommages causés par les actions suivantes n'engagent pas notre responsabilité :

- Le non-respect de ces directives
- Utilisation incorrecte
- Installation du chauffe-eau par un personnel non qualifié
- Modifications non autorisées
- Utilisation de pièces de rechange non approuvées

Pour plus de renseignements sur la responsabilité, consultez le chapitre sur la garantie à la fin de ce manuel.

Copyright :

Ce mode d'emploi et les directives d'installation sont protégés par un droit d'auteur.

Il est interdit de transférer ces directives à de tierces parties, de copier de quelle façon que ce soit, en partie ou en totalité, le contenu de ce document, ainsi que d'utiliser ou d'en transmettre le contenu sans notre autorisation écrite.

Toute infraction pourra entraîner des demandes en indemnisation. Nous nous réservons le droit de soulever d'autres réclamations.

Le droit d'auteur appartient à :

Stiebel Eltron, Inc.

17 West Street | West Hatfield, MA 01088

Tél. 413.247.3380 | Télécopie 413.247.3369

Courriel info@stiebel-eltron-usa.com

www.stiebel-eltron-usa.com

Pour toute question concernant l'installation ou le fonctionnement du chauffe-eau, veuillez vous adresser à notre service clientèle.

Tél. (É.-U.) 800.582.8423 ou 413.247.3380

Veuillez enregistrer votre numéro de série et les renseignements suivants :

N° de série : _____

Date d'achat : _____

GUIDE DE DÉMARRAGE RAPIDE POUR L'ACCELEA® 220/300 E

Aperçu :

L'installation de ce chauffe-eau est semblable à l'installation des chauffe-eau électriques normaux, à quelques exceptions près. Veillez à respecter tous les codes locaux et provinciaux en vigueur lors de l'installation. Ce guide de démarrage rapide ne peut en aucun cas remplacer le manuel d'installation. Veillez à respecter toutes les mesures de précaution.

Retrait de l'emballage :

NE RETIREZ PAS le chauffe-eau de l'emballage avant qu'il soit à l'endroit où il doit être installé. Suivez les directives du manuel et veillez à procéder avec précaution car cet appareil est lourd, notamment en haut. Une fois retiré de l'emballage, NE POSEZ PAS l'appareil horizontalement, NE SECOUEZ PAS, ni N'INCLINEZ PAS l'appareil au-delà de 45 ° lorsque vous le déplacez avec le diable. Si l'appareil n'était pas complètement à la verticale lors du transport ou de la mise en place, il faut le garder en position verticale pendant au moins une heure avant de le mettre en service.

Installation des raccords d'eau :

1. Trouvez un emplacement approprié satisfaisant aux directives relatives à l'espacement qui se trouvent à la page suivante. Le volume minimum de la pièce doit être 3,04 m (10 pi) x 3,04 m (10 pi) x 2,43 m (8 pi). Veillez à ce que les ouïes de ventilation soient parallèles au mur avec le ventilateur dirigé vers la partie la plus ouverte le long de ce mur. Veuillez noter qu'il est recommandé de mettre un bac à condensats; dans certaines régions, cela peut être exigé par le code.
2. Les raccords de plomberie d'arrivée et de sortie sur l'appareil sont des raccords 1 po NPT mâles. Il est recommandé d'avoir recours à des raccords unions pour faciliter l'entretien ultérieur. Installez un robinet de purge à l'arrivée d'eau froide pour faciliter la purge du réservoir. Ne pas utiliser le chanvre pour l'étanchéité.
3. Le port de la soupape de décharge de température & de pression (T & P) est un 3/4 po NPT femelle. La classification de la soupape T & P fournie est suffisante pour évacuer l'eau à 0,69 MPa et/ou 99 °C (100 lb/po² et/ou 210 °F). Raccordez un tuyau pour qu'il s'évacue vers un seau ou directement vers le drain. S'il est raccordé pour s'évacuer dans un seau, vérifiez régulièrement l'eau qui s'y accumule.

Pour le branchement, suivez les codes locaux et provinciaux relatifs aux clapets antiretour, aux vases d'expansion, aux vannes d'isolement, jauges, etc.



Note

Une 4,8 bar (70 lb/po²) robinet de pression doit être installé pour assurer la pression de la ligne d'arrivée d'eau ne dépasse jamais 4,8 bar (70 lb/po²). Voir 11.1, « Raccords d'eau », p. 97

Tuyau d'écoulement:

Dirigez le tuyau d'écoulement directement dans un drain ou utilisez une pompe à condensats pour l'évacuer de manière adéquate. Voir 11.2, « Tuyau d'écoulement », p. 98.

Remplir et purger le réservoir:

Ouvrez l'arrivée d'eau et veillez à ce que le réservoir soit plein avant de brancher à l'alimentation électrique.

Installation / Configuration électrique:

Utilisez un disjoncteur bipolaire 240 Volts / 15 A et connectez aux prises L1, L2 et à la terre du chauffe-eau. Voir 11.4, « Configuration électrique », p. 99.

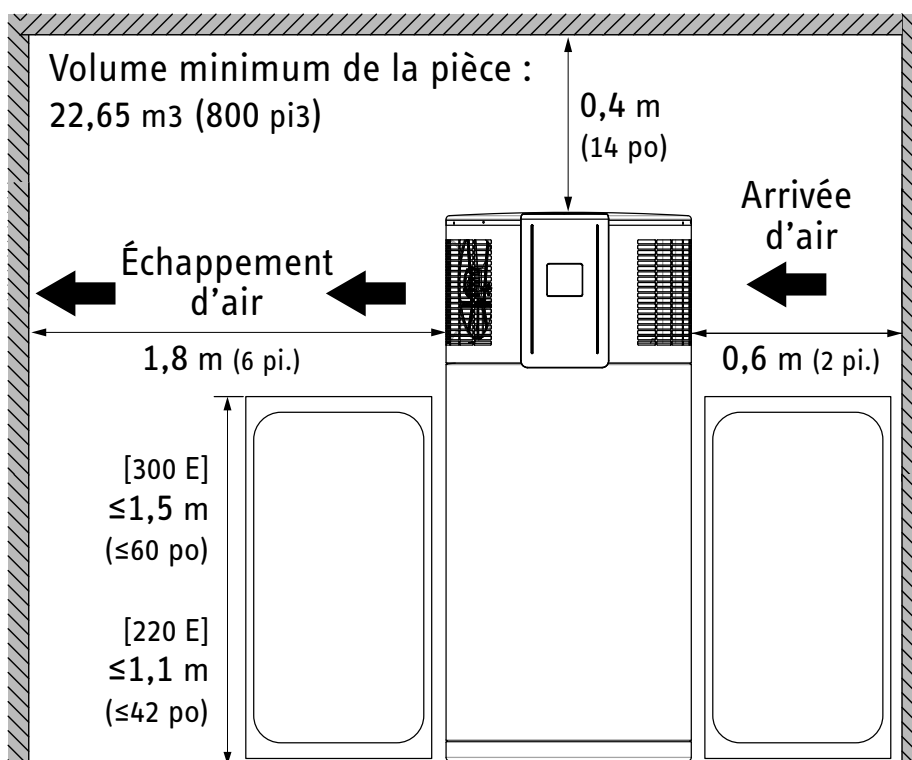
Boucle de recirculation:

Stiebel Eltron déconseille l'installation de cet appareil dans n'importe quelle configuration de boucle de recirculation. Si une boucle de recirculation s'avère nécessaire, consultez 11.1.6, « Boucle de recirculation » pour les exigences relatives à l'installation en recirculation.

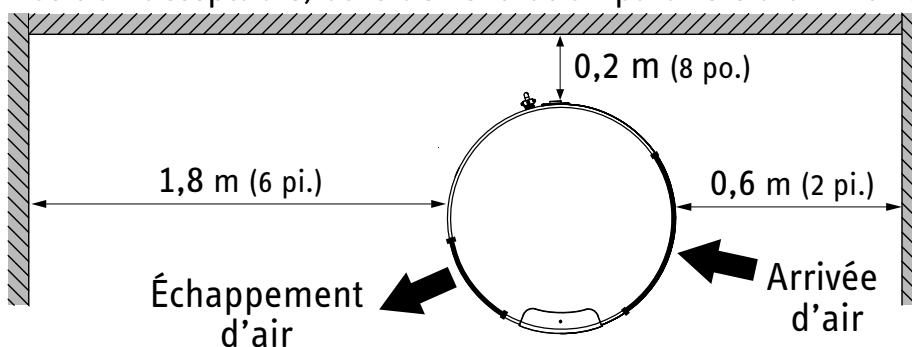
GUIDE DE DÉMARRAGE RAPIDE POUR L'ACCELERA® 220 E

La taille des chambres et des distances minimales

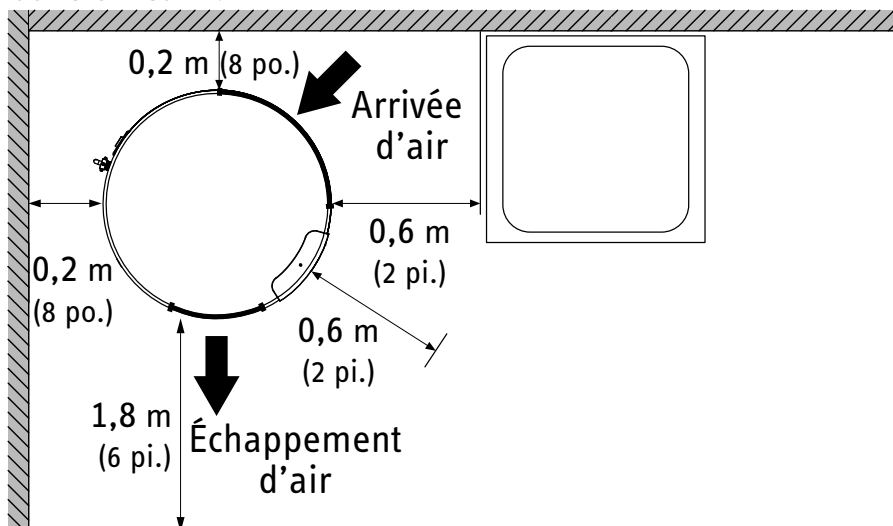
- › N'installez pas dans une pièce dont le volume total est inférieur à 22,65 m³ (800 pi³).
- › N'installez pas avec l'échappement d'air dirigé vers un mur ou vers une surface à moins de 1,8 m (6 pi.) de distance.
- › N'installez pas avec l'arrivée d'air dirigée vers un mur ou vers une surface à moins de 0,6 m (2 pi.) de distance.
- › Si vous installez un Accelera 220 E près d'un autre appareil, ce dernier ne peut mesurer plus de 105 cm. Dans le cas d'un Accelera 300 E, l'autre appareil ne peut mesurer plus de 150 cm. Cette restriction sert à empêcher qu'un appareil bloque les entrées et sorties d'air de l'Accelera.
- › Le non-respect des directives d'installation aura pour effet d'annuler la garantie d'usine.



Position acceptable, ouïe de ventilation parallèle à un mur :

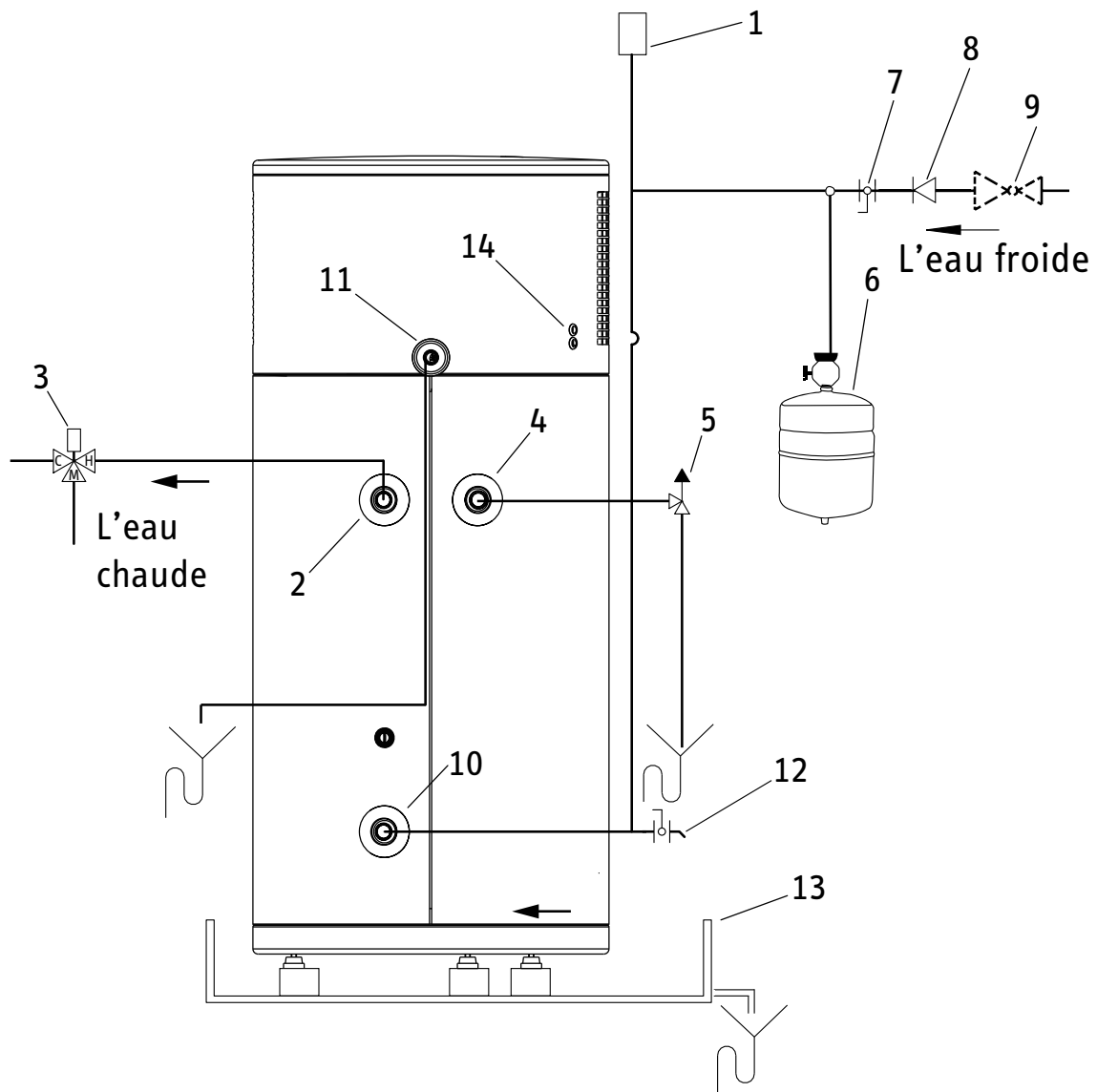


Position acceptable, ouïe de ventilation parallèle à un mur dans un coin :



GUIDE DE DÉMARRAGE RAPIDE POUR L'ACCELERA® 220 E

Branchements de plomberie



- 1 Brise-vide
- 2 Connexion d'eau chaude (1 po NPT)
- 3 Mitigeur (en option, fourni par l'installateur)
- 4 Connexion pour la soupape T & P (3/4 po)
- 5 Soupape T & P 3/4 po, 0,69 MPa à 99 °C (100 lb/po² à 210 °F) (fournie avec l'appareil)
- 6 Vase d'expansion, taille minimale requise*: 19 l (5 gallons). Obligatoire, fourni par l'installateur.
- 7 Vanne d'isolement deux voies (fournie par l'installateur)
- 8 Clapet antiretour (obligatoire, fourni par l'installateur)
- 9 Robinet de pression 4,8 bar (70 lb/po²) (obligatoire, fourni par l'installateur)
- 10 Connexion d'eau froide (1 po NPT)
- 11 Tuyau d'écoulement (3/4 po R a 1/2 po coude barbelé, fourni avec l'appareil)
- 12 Robinet de vidange (fourni par l'installateur)
- 13 Bac à condensats (fourni par l'installateur)
- 14 Débordement de condensats

* Recommandation basée sur la pression d'entrée de 4,8 bar (70 lb/po²), vase d'expansion préchargé à 4,8 bar (70 lb/po²), 60 °C (140 °F) max. température du réservoir, tout le contenu du réservoir ne sont pas drainé à chaque utilisation, et remplissez la température est de 21,1 °C (70 °F).

MODE D'EMPLOI

1. Généralités

Les chapitres intitulés « Renseignements spéciaux » et « Fonctionnement » sont prévus pour les utilisateurs de l'appareil et les entrepreneurs spécialisés.

Le chapitre « Installation » est à l'attention des entrepreneurs spécialisés.




Remarque

Lisez attentivement ces directives avant d'utiliser l'appareil puis mettez-les de côté pour référence ultérieure. Transférez ce document à toute personne qui utilisera l'appareil.




1.1 Instructions relatives à la sécurité

1.1.1 Structure des instructions relatives à la sécurité



Mot-clé : Type de risque
Vous trouverez ici la liste des conséquences possibles pouvant découler du non-respect des instructions de sécurité. Les étapes pour prévenir le risque sont énumérées.

1.1.2 Symboles, nature du danger

Symbole	Nature du danger
	Blessure
	Électrocution
	Brûlures ou ébouillantage

1.1.3 Mots-clés



MOT-CLÉ	Description
DANGER	La non-observation de ces informations entraîne des blessures graves, voire la mort.
AVERTISSEMENT	La non-observation de ces informations peut entraîner des blessures graves, voire la mort.
ATTENTION	La non-observation de ces informations peut entraîner des blessures moyennement graves ou légères.

1.2 Autres symboles dans ce document.



Remarque:

Les remarques sont encadrées horizontalement. Les généralités sont identifiées à l'aide du symbole illustré à gauche.

Symbole	Description
	Dommages sur l'appareil et sur l'environnement
	Recyclage de l'appareil

1.3 Unités de mesure



Note

Toutes les mesures sont exprimées en mm (pouces) sauf indication contraire.

1.4 Données de sortie normalisées

Information relative à l'identification et à l'interprétation des données de sorties normalisées spécifiées.

Norme : EN 16147

Les données de sortie mentionnées en particulier dans les textes, les schémas et les fiches de données techniques ont été calculées conformément aux conditions d'essai énumérées dans la norme référencée dans l'intitulé de cette section. En général, ces conditions d'essai normalisées ne remplissent pas totalement les conditions présentes sur le site de l'installation de l'utilisateur du système.

Selon la méthode d'essai choisie et l'étendue selon laquelle cette méthode dévie des conditions définies dans la norme référencée dans l'intitulé de cette section, tout écart peut avoir un impact considérable. D'autres facteurs pouvant exercer une influence sur les valeurs des essais sont notamment les appareils de mesure, la configuration du système, l'âge du système et les taux de débit.

Une confirmation des données de sortie spécifiées ne peut être obtenue que si les conditions applicables à l'essai concerné correspondent à celles de la norme référencée dans l'intitulé.

2. Sécurité

Ce chapitre donne un survol de toutes les mesures importantes devant être prises pour assurer un fonctionnement sécuritaire et sans problème.

2.1 Usage prévu

Cet appareil est prévu pour la préparation de l'eau chaude sanitaire (ECS) dans les limites d'application. Voir 17.3, « Tableau de données », p. 109

Cet appareil est prévu pour un usage ménager, c'est-à-dire qu'il peut être utilisé en toute sécurité par des personnes non formées. Cet appareil peut également être utilisé en dehors d'un usage ménager, par exemple dans une petite entreprise, tant que son usage reste le même.

Tout autre usage au-delà de l'usage décrit sera jugé inapproprié. L'usage correct comprend également le respect de ces directives et de toutes les directives relatives aux accessoires utilisés de concert avec cet appareil.

2.2 Usage incorrect

Les emplois décrits ci-après ne sont pas autorisés :

- Le chauffage de liquides autre que de l'eau potable
- L'utilisation de l'appareil avec un réservoir d'ECS vide
- L'utilisation de cet appareil en dehors des limites d'application (Voir 17.3, « Tableau de données », p. 109)
- La coupure du courant, car sans alimentation cet appareil n'est plus protégé contre la corrosion

2.3 Généralités relatives à la sécurité

Seuls les entrepreneurs spécialisés peuvent exécuter les travaux électriques et l'installation de l'appareil. Les entrepreneurs spécialisés sont responsables de la conformité à tous les règlements en vigueur.

N'utilisez l'appareil que lorsqu'il est entièrement installé avec tout l'équipement de sécurité conforme.



AVERTISSEMENT Blessure

Cet appareil peut être utilisé par des enfants de 8 ans et plus et par des personnes dont les capacités physiques, sensorielles ou mentales sont diminuées ou n'ayant ni l'expérience ni les connaissances requises, à condition qu'ils soient étroitement surveillés et qu'ils aient reçu des consignes concernant l'usage sécuritaire de l'appareil et qu'ils comprennent les risques qu'ils courent. Ne laissez jamais les enfants jouer avec cet appareil. Les enfants ne doivent jamais nettoyer cet appareil ni exécuter les opérations d'entretien réservées à l'utilisateur sans surveillance étroite.



AVERTISSEMENT Électrocution

Tout contact avec des composants sous tension peut être fatal. Le fait d'endommager l'isolation électrique ou les pièces individuelles pourrait être fatal.

- Si l'isolation est endommagée, déconnectez l'alimentation électrique et faites venir un réparateur. Il est impératif que tous les travaux d'installation électrique soient exécutés par un entrepreneur spécialisé.



AVERTISSEMENT Ébouillantage

L'eau du réservoir d'ECS peut être chauffée à des températures supérieures à 65 °C (149 °F). Il y a un risque d'ébouillantage au niveau des températures de sortie qui pourraient dépasser 43 °C (110 °F).

- Veillez à éviter tout contact avec l'eau lorsqu'elle s'évacue.



AVERTISSEMENT Brûlures

Le fait de toucher des pièces chaudes pourrait entraîner des brûlures. Lorsque vous travaillez à proximité de pièces chaudes, portez toujours des vêtements et des gants de protection.

La tuyauterie connectée à la sortie ECS du chauffe-eau peut atteindre des températures supérieures à 65 °C (149 °F).



AVERTISSEMENT Ébouillantage

Le chauffe-eau est rempli de frigorigène en usine. En cas de fuite du frigorigène, évitez tout contact avec celui-ci et évitez d'en respirer les vapeurs. Aérez les pièces concernées.



AVERTISSEMENT Blessure

Ne posez jamais d'objet sur l'appareil. Si vous oubliez des objets sur l'appareil, les émissions sonores pourraient s'intensifier du fait des vibrations et les objets pourraient tomber et provoquer des blessures.



ATTENTION

Pour réduire le risque de pressions et de températures excessives dans ce chauffe-eau, installez les dispositifs de protection pour les températures et la pression stipulés dans les codes locaux, avec au moins une soupape de décharge de température et de pression combinée certifiée par un laboratoire d'essais agréé au niveau national qui inspecte régulièrement les équipements ou matériaux répertoriés, et satisfaisant aux exigences relatives aux soupapes de décharge et aux dispositifs de coupure automatique du gaz pour les systèmes d'alimentation en eau chaude de la norme ANSI z21.22. Cette soupape doit être marquée avec une pression préréglée maximale ne devant pas dépasser la pression d'exploitation maximale du chauffe-eau. Installez la soupape sur l'ouverture prévue et indiquée à cet effet dans le chauffe-eau et dirigez-la ou posez une canalisation de sorte que tout écoulement se fera également dans les 152 mm (6 po) au-dessus, et à n'importe quelle distance au-dessous, du plancher structural et qu'elle ne pourra pas entrer en contact avec des pièces électriques sous tension. L'ouverture de l'écoulement ne peut être bloqué ni rétréci pour quelle raison que ce soit.



ATTENTION

Si ce chauffe-eau alimentant un système d'eau chaude n'a pas servi pendant une longue période (deux semaines ou plus), vous remarquerez une production de gaz hydrogène. Celui-ci est extrêmement inflammable. Pour réduire le risque de blessures dans ce cas-là, il est conseillé d'ouvrir le robinet d'eau chaude de l'évier de cuisine pendant plusieurs minutes avant d'utiliser un appareil ménager électrique branché au système d'eau chaude. En présence d'hydrogène, on remarquera un bruit inhabituel ressemblant à de l'air fuyant de la canalisation au moment où l'eau commence à couler. Il ne faut ni fumer, ni avoir une flamme nue près du robinet au moment où on l'ouvre.



Pertes matérielles

Si vous déconnectez l'appareil de l'alimentation électrique, il n'est plus protégé contre le gel.

- Ne coupez pas l'alimentation électrique de l'appareil.

MODE D'EMPLOI

Sécurité

! Pertes matérielles
Ne recouvrez jamais cet appareil. Le fait de couvrir l'arrière ou l'échappement d'air peut entraîner une alimentation réduite en air. Si c'est le cas, la fiabilité fonctionnelle de l'appareil ne peut plus être garantie.

! Pertes matérielles
N'utilisez cet appareil que lorsque le réservoir d'ECS a été rempli.

! Pertes matérielles
N'utilisez cet appareil que lorsque le réservoir d'ECS a été rempli.

! Pertes matérielles
Faites en sorte que l'air de la pièce où cet appareil est installé ne soit pas contaminé avec de l'huile, du sel ou toute autre substance corrosive ou explosive.

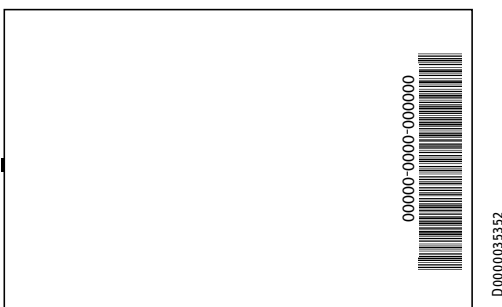
2.4 Désignation ETL

La désignation ETL indique que l'appareil satisfait à toutes les exigences essentielles conformément aux normes UL et CAN/CSA. Cet appareil est conforme aux normes :

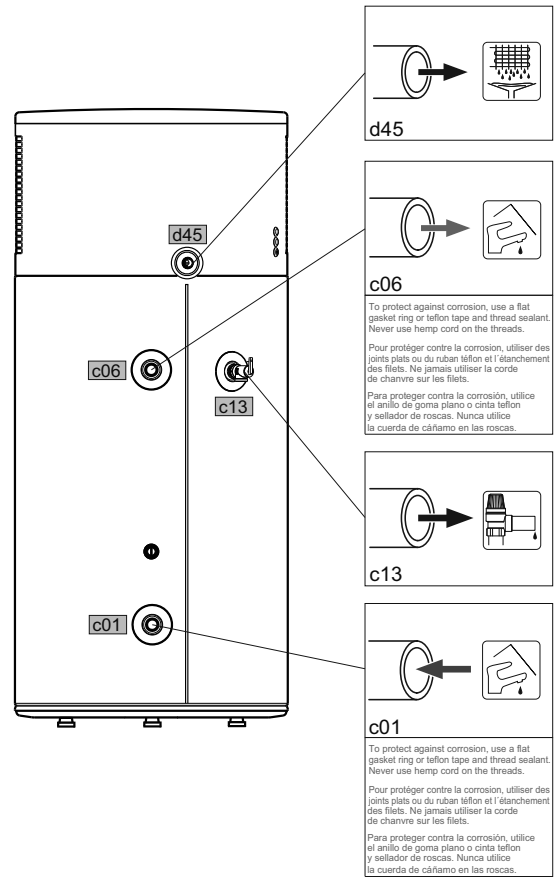
- Norme UL 1995
- Norme UL 174
- Norme CAN/CSA C22.2 N° 236-05
- Norme CAN/CSA C22.2 N° 110-94

2.5 Étiquettes de l'appareil

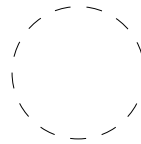
1 Étiquette de la plaque signalétique pour l'Accelera 220/300 E



2 Étiquette d'avertissement pour les connexions d'eau



3 Étiquette pour la connexion électrique



Power supply

Disconnect power supply

Before opening the cover

!Attention!

Must connect to
240 V, 15 A

Double-pole

Circuit breaker

4 Étiquette d'avertissement pour le risque d'ébouillantage

⚠ DANGER



Water temperature over 52°C (125°F) can cause severe burns instantly or death from scalds.

Children, disabled and elderly are at highest risk of being scalded.

See instruction manual before setting temperature at water heater.

Feel water before bathing or showering.

Temperature limiting valves are available. See instruction manual.

WARNING

HOT WATER CAN PRODUCE 3RD DEGREE BURNS:
IN 6 SECONDS AT 60°C (140°F).
IN 30 SECONDS AT 54°C (130°F).
CONTROLS WERE FACTORY SET AT 52°C (125°F).
CONTACT QUALIFIED SERVICE PERSONNEL FOR ADJUSTMENTS.

Une température de l'eau de plus de 52°C (125°F) peut causer des brûlures graves ou la mort par ébouillantage. Les enfants, les personnes handicapées et les personnes âgées courent le plus grand risque de brûlures.

Lire la notice d'emploi avant d'ajuster la température du chauffe-eau.

Vérifier la température de l'eau avant de prendre un bain ou une douche.

Des dispositifs de limitation de température sont disponibles. Voir la notice d'emploi.

ATTENTION

L'eau chaude peut provoquer des brûlures de 3ème degré:
En 6 secondes à 60°C (140°F).
En 30 secondes à 54°C (130°F).
Réglé à l'usine à 52°C (125°F).
Contacter le personnel de service après-vente qualifié pour toute modification.

Agua con temperatura de más de 52 °C (125 °F) puede al instante causar quemaduras graves o la muerte por escaldadura.

Niños, personas con discapacidades o mayores se encuentran en mayor peligro de escaldadura.

Mire las instrucciones de uso antes de ajustar la temperatura en el calentador de agua.

Pruebe el agua antes de bañarse o de ducharse.

Están disponibles válvulas para regular la temperatura. Mire las instrucciones de uso.

ADVERTENCIA

Agua muy caliente puede causar quemaduras de 3º grado. En 6 segundos A 60 °C (140 °F). En 30 segundos A 54 °C (130 °F). La regulación fue ajustada en la producción A 52 °C (125°F). Si necesita ajustar la regulación, contáctese al técnico de servicio calificado.

5 Étiquette pour la soupape de décharge de pression et de température

Relief valve
Plumber:
The relief valve installation must be fitted to this socket. The pressure and temperature relief valve has to meet local codes and comply with ANSI Z21.22.

Soupape de sûreté
Plombier:
L'installation de la soupape de sûreté doit être branchée sur cette prise. La soupape de sûreté pour la pression et la température doit être conforme à la réglementation locale et à ANSI Z21.22.

Válvula de seguridad
Plomero:
La válvula de seguridad debe instalarse en esta conexión. Las válvulas limitadoras de presión y temperatura tienen que ajustarse al código local y cumplir con la norma ANSI Z21.22.

315321-38055

6 Étiquette pour le Protocole de Kyoto

↺

DE: Enthält vom Kyoto - Protokoll erfasste fluorierte Treibhausgase - hermetisch geschlossenes System.
GB: Contains fluorinated greenhouse gases covered by the Kyoto Protocol - hermetically sealed.
FR: Comprend les gaz à effet de serre fluorés enregistrés par le protocole de Kyoto - systèmes hermétiquement scellés.
NL: Bevat gefluoreerde broeikasgassen die onder het Kyoto-protocol vallen - hermetisch gesloten systeem.
SE: Innehåller av Kyoto - protokollat registrerade fluorerade växthusgaser i hermetiskt förslutna system.
PL: Zawiera fluorowane gazy cieplarniane ujęte w Protokole z Kioto - hermeticznie zamknięty układ.
CZ: Obsahuje fluorované skleníkové plyny, obsažené v Kjótském protokolu - hermeticky uzavřený systém.
HU: A Kiotói Jegyzőkönyv szerinti fluoráltartalmú üvegházhatású gázokat tartalmaz - hermetikusan zárt rendszer.
IT: Contiene gas fluorurati ad effetto serra disciplinati dal protocollo di Kyoto - Impianto ermeticamente chiuso.
ES: Sistema herméticamente cerrado que contiene gases de efecto invernadero mencionados en el protocolo de Kioto.
BG: Съдържа посочените в Протокола от Киото флуорирани парникови газове - херметически затворена система.
RO: Conține un sistem închis ermetic contra emisiei de gaze fluorine monitorizat de protocolul Kyoto.
DK: Indeholder fra Kyoto-protokollen registrerede, fluoreerede drivhusgasser - hermetisk lukket system.
NO: Inneholder fluoreerte drivhusgasser som omfattes av Kyotoprotokollen - hermetisk lukket system.
FI: Sisältää Kioton sopimuksen alaisia fluorattuja kasvihuonekaasuja - ilmativiisti suljettu järjestelmä.

299581-36960

7 Étiquette pour l'élément chauffant complémentaire

If the water heater is retrofitted with a supplemental heat element make sure that both thermostat are adjusted on the same water temperature set point.

Si le chauffe-eau est rénové avec un élément de chauffe supplémentaire, assurez-vous que les deux thermostats soient ajustés à la même température de réglage de l'eau.

Si el calentador de agua está adaptado a un elemento calentador suplementario, asegúrese que ambos termostatos estén ajustados a la misma temperatura de agua.

315322-38055

8 Étiquette pour l'élément du chauffage d'appoint

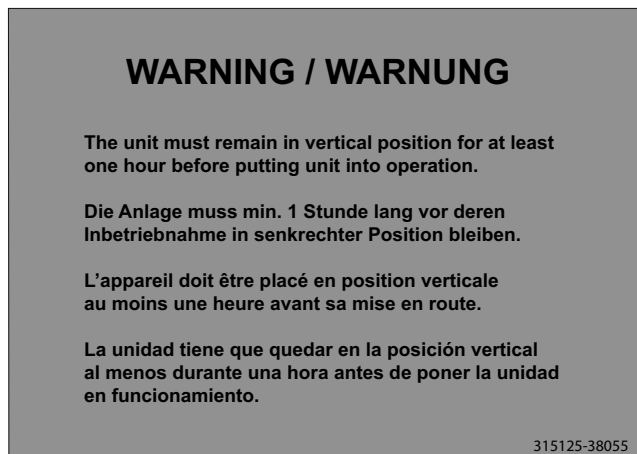
CAUTION
for use only in water

ATTENTION
pour l'utilisation dans l'eau

ATENCIÓN
se usa sólo para en agua

3115683-38055

- 9 Étiquette confirmant que l'appareil doit rester en position verticale pendant au moins une heure avant sa mise en marche



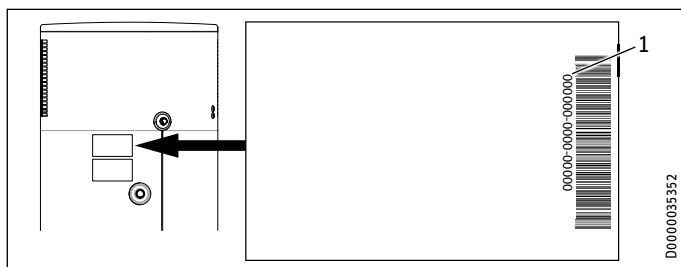
3. Inscrivez votre produit



Remarque

Vous devez inscrire votre produit dans les 90 jours qui suivent la date d'achat sur notre site internet pour activer la garantie normale ou pour pouvoir réclamer la garantie prolongée. Rendez-vous à notre site internet à l'adresse suivante : www.stiebel-eltron-usa.com et cliquez sur « Register Your Product » (inscrivez votre produit).

Avant de lancer le processus d'inscription, nous vous conseillons d'avoir à portée de main la documentation nécessaire, à savoir :



- 1 Numéro de série sur la plaque signalétique

Modèle, Exemple : Accelera 220 E (La plaque signalétique se trouve sur l'appareil au-dessus de la connexion de la sortie d'ECS.)

Numéro apparaissant après « Nr. » (N°)

Lieu d'achat

Date d'achat

Prénom et nom de famille

Adresse courriel

Adresse postale

Numéro de téléphone

Date d'installation

En cas de questions à propos du processus d'inscription ou des options pour la garantie, veuillez contacter Stiebel Eltron USA directement en composant le 800.582.8423.

4. Description de l'appareil

L'appareil est conçu pour être installé à l'intérieur. L'appareil recycle l'air ambiant et n'a pas besoin d'air extérieur. L'appareil extrait la chaleur de l'air ambiant. Cette chaleur est utilisée pour chauffer l'eau dans le réservoir d'ECS avec un surcroît d'alimentation électrique. La quantité d'énergie et le temps nécessaire pour chauffer l'ECS dépendent de la température et de la teneur en humidité de l'air ambiant.

Cette opération (extraction de la chaleur) entraîne une baisse de la température ambiante à l'intérieur de la pièce où l'appareil est installé se situant entre 1 °C (2 °F) et 3 °C (5,5 °F). L'appareil extrait également l'humidité contenue dans l'air et la transforme en condensats. Les condensats sont purgés de l'appareil par le biais du bac à condensats.

Lorsqu'un robinet d'eau chaude est ouvert, l'ECS chaude est expulsée de l'appareil par l'arrivée d'ECS froide.

Pour protéger l'appareil contre la corrosion, l'intérieur du réservoir d'ECS est revêtu d'un émail spécial et équipé d'une anode à courant imposé.

L'appareil de commande électronique facilite le réglage pour économiser l'énergie. Selon la fluctuation de l'alimentation électrique et l'usage, l'eau est chauffée automatiquement à la température préréglée.

4.1 Principe de fonctionnement de la thermopompe

Un circuit hermétique situé dans l'appareil contient du frigorigène (Voir 17.3, « Tableau de données », p. 109). Ce frigorigène s'évapore à basses températures et extrait la chaleur de l'air ambiant.

Dans l'évaporateur, le frigorigène passe de l'état liquide à l'état gazeux. Un compresseur aspire le frigorigène gazeux et le comprime. Ce surcroît de pression augmente la température du frigorigène.

Ce processus de compression nécessite de l'énergie électrique. L'énergie (moteur thermique) ne est pas perdue, mais est évacuée vers le condenseur aval. Là, le fluide frigorigène transfère la chaleur indirectement au réservoir d'eau chaude sanitaire et le fluide frigorigène liquide est acheminé vers un filtre déshydrateur. évaporateur deux inondations. Soupape de détente réduit la pression reste présente. Le réfrigérant est acheminé vers l'évaporateur deux inondations et le cycle recommence.

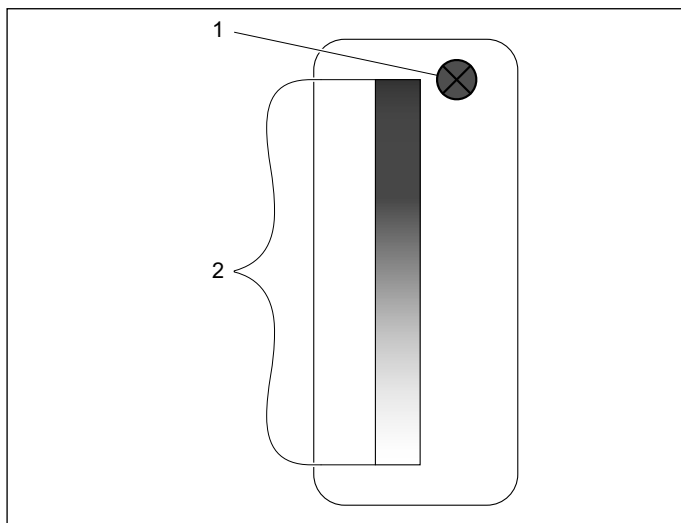


Remarque

En cas de coupure de courant, le fonctionnement du compresseur est bloqué pendant au moins une minute. La carte de commande électronique retarde le démarrage électronique d'une minute le temps que l'appareil passe par le processus d'initialisation.

Si, ensuite, le compresseur ne démarre pas, il est possible qu'il soit bloqué par d'autres dispositifs de sécurité (coupe-circuit Klixon et/ou pressostat haute pression) Si le compresseur est désactivé par le Klixon, cela pourrait être entraîné par la différence de pression entre le côté haute pression et le côté basse pression du circuit du frigorigène. Lorsque la différence de pression disparaît (au bout d'environ 5 minutes), le compresseur se met en marche. Si un pressostat haute pression est déclenché et entraîne le blocage du compresseur, cela peut être provoqué par une défaillance du thermostat ou une température ambiante élevée. Une fois que le courant est rétabli, l'appareil continue à fonctionner avec les paramètres choisis avant la coupure de courant.

4.2 Chauffage du réservoir d'ECS



- 1 Capteur dôme
- 2 Capteur intégré

L'appareil est équipé de deux capteurs de température.

Le capteur de dôme capte la température de l'eau dans la section supérieure de la cuve.

- Le capteur est solidaire d'un capteur de température fixé sur toute la hauteur du réservoir. Le capteur intégré détermine la température moyenne de la cuve.
- L'affichage de l'appareil indique la température dans la partie supérieure du réservoir. L'unité de commande de l'appareil fonctionne en utilisant la température moyenne de la cuve.

L'appareil peut commencer à chauffer même si l'affichage indique qu'il a atteint la température de consigne. Dans ce cas, l'écart entre la température moyenne du réservoir à partir de la valeur de consigne est supérieure à l'hystérésis du thermostat à capteur intégré.

A des températures de l'air ambiant inférieures à 7,8 °C (46 °F), l'appareil passe automatiquement en mode dégivrage de temps en temps pour enlever l'accumulation de glace sur l'évaporateur.

Pour plus d'informations sur le temps de montée en température, Voir 17.3, « Tableau de données », p. 109. Le calcul de la quantité disponible d'eau mélangée est basée sur la température moyenne du cylindre. La quantité d'eau mélangée est calculée seulement si la température de l'eau dans la partie supérieure du cylindre est supérieure à 40 °C (104 °F).

ECS est normalement chauffée par la pompe à chaleur de l'appareil dans les limites d'application (Voir 17.3, « Tableau de données », p. 109).

4.2.1 Élément électrique auxiliaire

L'élément d'appoint électrique est utilisé pour les périodes de demande d'eau chaude étonnamment élevé. L'élément est activé manuellement via le bouton rouge dot-poussoir situé sur le panneau d'affichage avant (Voir 5.1, « Affichages et commandes », p. 86, no. 8, « Touche du chauffage rapide »).

En cas de défaillance de la pompe à chaleur, vous pouvez démarrer le chauffage électrique / de rappel d'urgence de l'appareil devrait développer une faute, et le code d'erreur est supérieure à 256. Voir 5.5.2, « Mode d'urgence », p. 89.

Dans le cas d'une demande d'eau chaude étonnamment élevée, le dispositif de chauffage / de rappel d'urgence peut être activé avec la touche de chauffage rapide, en plus de la pompe à chaleur. Voir 5.5.1, « Chauffage de confort », p. 89.

4.3 Fonctionnement de l'appareil en dehors des limites de l'application

4.3.1 Températures ambiantes en dessous des limites de l'application

Si du givre apparaît sur les ailettes de l'évaporateur, le système de surveillance du givre désactive le compresseur de la thermopompe. Le compresseur s'allume automatiquement une fois que l'évaporateur est dégelé. Dégivrage ne fonctionne que si la température de l'air ambiant est supérieure à 3,3 °C (38 °F)

- Pour garantir un fonctionnement sans défaillance de l'appareil, veuillez à utiliser l'appareil dans les limites de son application (Voir 17.3, « Tableau de données », p. 109).



Remarque

Les délais de chauffage sont plus longs lorsque l'évaporateur est en phase de dégivrage.

4.3.2 Températures ambiantes au-dessus des limites de l'application

L'équipement de protection désactive l'appareil lorsque la limite supérieure de l'application est dépassée.

Une fois la période de refroidissement écoulee (quelques minutes), l'appareil se remet en marche automatiquement. L'appareil se désactive à nouveau si la température ambiante repasse au-dessus de la température autorisée.

- Pour garantir un fonctionnement sans défaillance de l'appareil, veuillez à utiliser l'appareil dans les limites de son application (Voir 17.3, « Tableau de données », p. 109).

4.4 Dégivrage

Des températures d'admission d'air faibles peuvent entraîner la formation de givre sur l'évaporateur, selon l'humidité relative et

la température de l'ECS. L'appareil est doté d'un dispositif électronique de dégivrage. Le chauffage de l'ECS est interrompu lors du dégivrage. L'appareil désactive le compresseur pendant le dégivrage. Le ventilateur continue à tourner. L'affichage de l'appareil indique que le dégivrage est en cours.

Un temps maximum pour le dégivrage est mémorisé dans l'appareil. Si ce temps maximum pour le dégivrage est dépassé, l'appareil arrête le dégivrage et dégage l'élément électrique auxiliaire.



Note

Les temps de chauffage sont plus longs pendant le dégivrage de l'évaporateur.



Note

L'appareil commence le processus de dégivrage dès que la durée de fonctionnement du compresseur atteint la période "Dégivrage requis" enregistrée dans l'appareil.

4.5 Protection contre le gel

L'appareil active la protection contre le gel lorsque le capteur intégral dans le réservoir d'ECS détecte une température inférieure à 10 °C (50 °F). L'appareil chauffe ensuite l'eau en mode parallèle à l'aide de la thermopompe et de l'élément électrique auxiliaire. La thermopompe et l'élément électrique auxiliaire se désactivent une fois que la température détectée par le capteur intégral dépasse 18 °C (65 °F).

4.6 Cycle minimum et temps de pause minimum



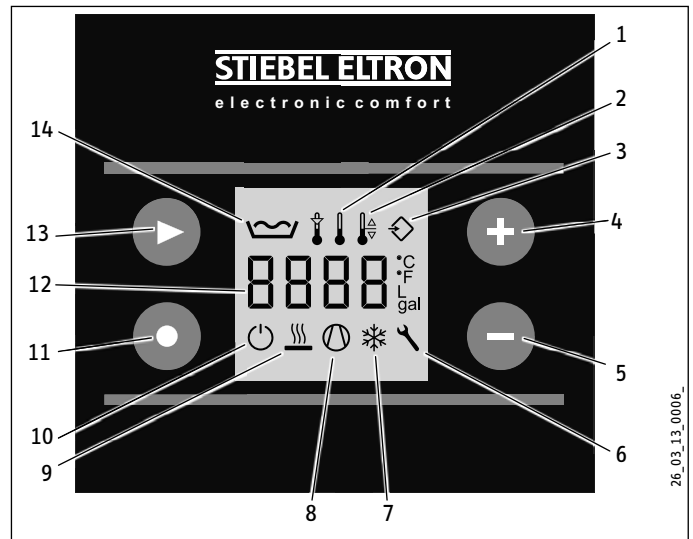
Pertes matérielles

Lorsque les systèmes de gestion de l'énergie ou les systèmes d'automatisation résidentielle fonctionnent de concert avec des dispositifs de commutation externes qui peuvent interrompre l'alimentation électrique vers l'appareil (comme des minuteries), ces dispositifs doivent respecter strictement les conditions suivantes :

- La durée ON (marche) maximale est de 60 minutes.
- Le temps de pause minimum suite à un arrêt est de 20 minutes.
- L'appareil ne doit pas être activé/désactivé plus de dix fois par jour.
- Le pouvoir de coupure de l'actionneur de commutation doit satisfaire aux exigences de protection du disjoncteur (voir chapitre intitulé « Spécification / Tableau de données »).

5. Réglages

5.1 Affichages et commandes






- 1 La température réelle
- 2 Température prédéfinie 1
- 3 Température prédéfinie 2 activée
- 4 Touche plus
- 5 Touche moins
- 6 Symbole service / erreur
- 7 Mode de dégivrage
- 8 La thermopompe
- 9 L'élément électrique auxiliaire
- 10 Protection contre le gel
- 11 Touche du chauffage rapide
- 12 Affichage de la quantité d'eau mitigée (l/40 °C /gal/104 °F)
Affichage de la température réelle, section du réservoir supérieur / Affichage de la température programmée 1 et 2 / Affichage du code de défaillance
- 13 Touche du menu
- 14 Symbole de la quantité d'eau mitigée

5.1.1 Symbols

Symbole	Description
	Quantité d'eau mélangée: La quantité d'eau mélangée actuellement disponible à une température d'eau froide de 40 °C (104 °F) et à une température de 15 °C (59 °F) est indiquée.
	Température réelle: La température réelle actuelle est affichée. La température réelle indique la température dans la partie supérieure du préparateur d'eau chaude et correspond donc largement à la température de sortie.
	Température programmée 1
	Température programmée 2 (Transmetteur de signal externe): est la température de consigne ECS à laquelle chauffe l'appareil si un transmetteur de signal externe est connecté et actif.
	Veille: le symbole clignote si la carte de circuits imprimés de l'appareil et la charge (compresseur) sont alimentées séparément. Cette option de connexion est requise si l'appareil doit être utilisé via des prises commutables dans un système de gestion de l'énergie (Voir 11.4, « Configuration électrique », p. 99) par exemple.
	Élément d'appoint électrique: Ce symbole indique la présence d'une demande sur ce composant. Ce symbole affiché ne signifie pas nécessairement que l'élément d'alimentation électrique est en fonctionnement.

MODE D'EMPLOI

Réglages

Symbole	Description
	Pompe à chaleur: Ce symbole indique la présence d'une demande pour ce composant. Ce symbole affiché ne signifie pas nécessairement que le compresseur est en marche.
	Mode dégivrage actif
	Service / erreur: Si le symbole «service / erreur» apparaît à l'écran, informez votre contractant qualifié. L'allumage continu du symbole indique que le défaut n'empêche pas le fonctionnement de l'appareil. Un symbole «Service / erreur» clignotant indique que l'eau n'est pas chauffée et qu'il est essentiel que vous en avisiez votre entrepreneur qualifié. Mettre l'appareil en mode d'urgence est un cas particulier. Le chauffage d'appoint / d'appoint électrique chauffera alors l'eau malgré le symbole «service / erreur» clignotant.

Les symboles de l'élément électrique auxiliaire et de la thermopompe s'affichent lorsque ces composants sont en marche.



Remarque

L'éclairage de fond de l'affichage s'allume pendant 15 secondes chaque fois que vous appuyez sur un bouton.

Symbole de service/défaillance



Remarque

Avisez votre entrepreneur si le symbole de service/défaillance s'affiche. Le fait que ce symbole soit allumé en permanence indique que la défaillance n'empêche pas le fonctionnement de l'appareil. Un symbole de service/défaillance clignotant indique que l'eau n'est pas chauffée et qu'il faut absolument avertir votre entrepreneur.

5.2 Réglages

En mode d'affichage normale, l'écran indique la quantité actuelle d'eau mélangée.



Remarque

15 secondes après chaque réglage, l'appareil revient automatiquement à l'affichage normal et enregistre la valeur programmée.



Avec la touche de menu, toutes les options de réglage et tous les renseignements sont affichés de manière séquentielle. Le symbole pertinent apparaît avec chaque réglage.

5.2.1 Affichage de la quantité d'eau mitigée (affichage normal)



La quantité d'eau mitigée actuellement disponible à 40 °C (104 °F) lorsqu'elle est mélangée avec de l'eau froide à 15 °C (59 °F) est affichée.



Si le réservoir ne contient pas d'eau chaude utilisable, «--» s'affiche à l'écran.

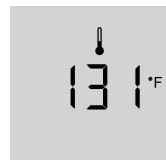
La demande d'ECS pour

Bain	120 à 150 l (32 à 40 gal)
Douche	30 à 50 l (9 à 13 gal)
Lavage de mains	2 à 5 l (1/2 à 1 1/2 gal)

La quantité d'eau mitigée à 40 °C (104 °F)

La quantité d'eau mitigée pouvant être obtenue dépend de la température définie.

5.2.2 Afficheur des températures réelles



Dans le menu de l'eau mitigée, appuyez sur la touche de menu une fois pour obtenir le menu de la température réelle.

La température actuelle réelle dans la partie supérieure du réservoir d'ECS s'affiche. Cela correspond généralement à la température de sortie.

5.2.3 Température programmée 1



Remarque

Pour éviter la légionnelle, ne réglez jamais la température de l'ECS à moins de 50 °C (124 °F).

Régler la température 1 est la température d'eau chaude l'appareil chauffe à si aucun émetteur de signal externe est connecté et actif. La température programmée 1 est réglée à 55 °C (131 °F) en usine.



Dans le menu de la température réelle, appuyez sur la touche de menu une fois pour obtenir le menu de la température programmée 1.

Le symbole de la température programmée 1 s'affiche.



Réglez la température programmée 1 entre 20,5 et 65 °C (69 et 149 °F) à l'aide des touches plus et moins.



Remarque

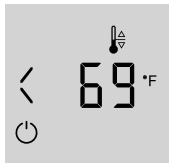
Vous pouvez aussi régler la température programmée 1 en appuyant la touche plus ou moins lorsque vous êtes dans l'affichage normal (quantité d'eau mitigée).

5.2.4 Protection contre le gel

Si la température de l'eau descend sous 15 °C (59 °F), la thermopompe et l'élément électrique se mettent en marche pour protéger l'appareil contre le gel. Ce mode se désactive une fois que la température de l'eau atteint 18 °C (59 °F).

MODE D'EMPLOI

Réglages



Si la température programmée est réglée à moins de 20,5 °C (69 °F), seule la protection contre le gel reste active. Le chauffe-eau ne marchera pas.

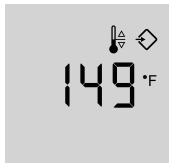
5.2.5 Température programmée 2



Remarque

Pour éviter la légionnelle, ne réglez jamais la température de l'ECS à moins de 50 °C (124 °F).

La température programmée 2 est la température de l'ECS en fonction de laquelle l'appareil se régule si un transmetteur de signal externe est connecté et actif.



Dans le menu de la température programmée 1, appuyez sur la touche de menu une fois pour obtenir le menu de la température programmée 2.

Le symbole de la température programmée 2 s'affiche.

Réglez la température programmée 2 entre 20,5 et 65 °C (69 et 149 °F) à l'aide des touches plus et moins.



Fonctionnement avec un transmetteur de signal externe (Alimentation 240 V)

La connexion de la thermopompe à un signal externe permet de chauffer l'eau à une température définie supérieure lorsque les tarifs électriques sont plus économiques, par exemple lorsque le courant PV est disponible ou lorsque les tarifs plus bas sont en vigueur.

Le signal externe peut être offert par un système PV ou une transmission de bas tarifs offerts par une entreprise de gestion d'électricité.

Si l'appareil reçoit un signal externe, la température prédéfinie 2 s'active et annule du même fait la température prédéfinie 1, qui est le réglage de température normal.

Si la température programmée 2 a été activée par le transmetteur de signal externe, cette température programmée sera donc active pendant au moins 20 minutes. Si le signal reste actif au bout de 20 minutes, le compresseur va se mettre en marche jusqu'à la conclusion du signal LF. Sinon, la température programmée 1 sélectionnée redevient active.

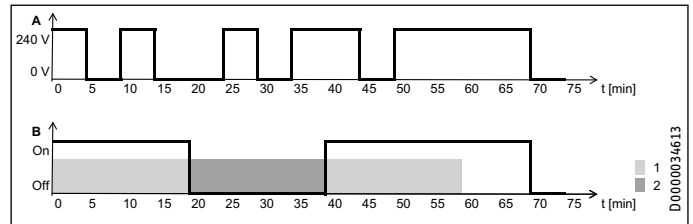
Si la température programmée de l'ECS pertinente a été obtenue, le compresseur est désactivé et reste désactivé pendant au moins 20 minutes.

Le schéma suivant illustre les connexions par le biais d'une séquence de signal type provenant d'un transmetteur de signal externe.

Exemple :

- Température de l'ECS = 55 °C (131 °F)
- Température programmée 1 = 50 °C (124 °F)

- Température programmée 2 = 65 °C (149 °F)



A Signal LF

B Compresseur

- 1 Cycle minimum de 20 minutes, température programmée 2
- 2 Période d'inactivité minimal du compresseur de 20 minutes

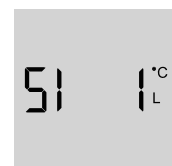


Remarque

Un signal LF doit être actif pendant au moins 60 secondes avant que la commande réagisse. Cela permet d'éviter la succession de cycles du compresseur du fait des changements rapides du rayonnement solaire.

5.2.6 Changer les unités de mesure

L'appareil peut afficher la température et le volume en unités du système américain (US) ou du système international (SI). Pour afficher les unités en Fahrenheit et en gallons, sélectionnez 0. Pour afficher les unités en Celsius et en litres, sélectionnez 1.



Appuyez sur la touche menu jusqu'à ce que la mention « SI » s'affiche et soit 0, soit 1.

Appuyez sur les touches plus et moins pour passer de US à SI (0 à 1).



5.2.7 Facteur de recharge

Le facteur de recharge détermine le pourcentage de la teneur en énergie du réservoir nécessaire pour activer la thermopompe. 40 % signifie que la thermopompe va s'activer lorsqu'il reste 40 % d'énergie dans le réservoir. Cela peut être ajusté jusqu'à 60 % au maximum.

Réglage d'usine	
Facteur de recharge	40 %



Appuyez sur la touche « Menu » jusqu'à ce qu'un « L » suivi d'un chiffre s'affiche à l'écran.

Vous pouvez changer la valeur à l'aide des touches « plus » et « moins ». Plage de réglage : 30-60 %



5.2.8 Code de défaillance



Si le symbole "Service / panne" est allumé ou clignote, vous pouvez interroger le code de panne à l'aide de la touche "Menu". Ce menu reste désactivé si aucun défaut ne s'est produit.

Voir 7.1, « Code de défaillance », p. 91

5.2.9 Code de défaillance E

Un code de défaillance précédé d'un « E » s'affiche si la défaillance concerne le circuit du frigorigène. Avertissez un entrepreneur spécialisé.

5.3 Changer le mode de fonctionnement

L'appareil a deux modes de fonctionnement qui déterminent la proportion d'utilisation de la thermopompe et de l'élément électrique auxiliaire : le Mode automatique et le Mode thermopompe seulement.

5.3.1 Mode automatique

L'appareil est réglé en usine au Mode automatique. Dans ce mode, l'eau est d'abord chauffée par la thermopompe jusqu'à l'atteinte de la température prédéfinie 1 (Voir 5.2.3, « Température programmée 1 », p. 87) ou de la température prédéfinie 2 (Voir 5.2.5, « Température programmée 2 », p. 88). Lors d'une utilisation rapide d'une grande quantité d'eau chaude, si la thermopompe ne parvient pas à elle seule à chauffer l'eau assez vite, le Mode automatique met immédiatement en marche l'élément auxiliaire pour augmenter la capacité de chauffage et la vitesse de récupération de l'eau chaude.

Le Mode automatique assure l'équilibre entre l'économie d'énergie et le confort en ayant d'abord recours à la thermopompe et en activant automatiquement l'élément électrique auxiliaire lors des grandes demandes en eau chaude. Pour la plupart des installations, le Mode automatique est le mode de fonctionnement recommandé.

5.3.2 Mode thermopompe seulement

Au moment de l'installation, l'appareil peut être réglé manuellement par un technicien au Mode thermopompe seulement. Dans ce mode, la thermopompe est la seule source de chaleur; l'élément auxiliaire ne se met pas en marche pendant le fonctionnement normal de l'appareil. Si le réservoir se vide, il faut soit attendre que la thermopompe réchauffe l'eau, soit appuyer sur la touche de chauffage rapide pour activer le chauffage d'appoint (Voir 5.5.1, « Chauffage de confort », p. 89).

Le Mode thermopompe seulement priorise l'économie d'énergie au détriment de la vitesse de récupération de l'eau chaude. Ce mode est recommandé aux endroits où il est primordial de restreindre la consommation d'énergie, comme dans les lieux alimentés par un réseau électrique autonome. Veuillez noter que même en Mode thermopompe seulement, la protection contre le gel demeure active (Voir 5.2.4, « Protection contre le gel », p. 87).

5.4 Rappel des codes de défaillance



Depuis le menu de modification des unités, appuyez sur la touche menu pour accéder au menu du code par défaut. Un code de défaillance va apparaître si une défaillance est survenue. Si aucune erreur n'a eu lieu, le menu n'est pas disponible.

Voir 7.1, « Code de défaillance », p. 91

5.5 Touche du chauffage rapide



Appuyez sur la touche du chauffage rapide.

Le symbole de l'élément électrique auxiliaire s'affiche. Le symbole de la thermopompe risque d'apparaître selon la température du réservoir au moment où l'on appuie sur le bouton.

5.5.1 Chauffage de confort

La touche de chauffage rapide met en marche la fonction de chauffage de confort, qui permet au chauffe-eau de répondre à une grande demande en eau chaude sans changer ses réglages normaux.

Lorsque le chauffage de confort est activé en appuyant sur la touche de chauffage rapide, la thermopompe et l'élément auxiliaire démarrent en parallèle quelle que soit la température actuelle du réservoir. Ils restent en marche jusqu'à ce que l'eau du réservoir atteigne la température programmée.

De plus, pour les 48 heures suivantes, l'élément auxiliaire marche en parallèle avec la thermopompe pendant le fonctionnement normal. Après ce temps, l'appareil revient aux réglages précédents.



Remarque

Les symboles pour l'élément électrique auxiliaire et la thermopompe sont affichés jusqu'à ce que la fonction de chauffage de confort ait été annulée.

Pendant le chauffage de confort, le symbole de l'élément électrique auxiliaire s'affiche jusqu'à ce que la thermopompe ait chauffé tout le réservoir à la température programmée et que la fonction soit désactivée. Lorsque le haut du réservoir atteint la température souhaitée, l'élément électrique est le premier à s'éteindre.

5.5.2 Mode d'urgence

Si la thermopompe est hors service, il est possible d'utiliser l'élément électrique auxiliaire en mode de sauvegarde pour assurer que l'eau soit chauffée. L'alimentation électrique vers le compresseur est coupée si la température de l'eau augmente de moins de 0,25 °C (0,5 °F) pendant une période de 13 heures. Dans ce cas, le code de défaillance « 8 » est activé et se met à clignoter. La touche de défaillance clignote à l'affichage et un code de défaillance indique que l'appareil ne chauffe pas l'eau.

Pour activer le mode de sauvegarde, appuyez sur la touche de chauffage rapide. Une fois que la touche de chauffage rapide a été enfoncée, le code de défaillance indiqué augmente de 256 (les

codes de défaillance sont ajoutés les uns aux autres (Voir 7.1, « Code de défaillance », p. 91). La touche de défaillance continue à clignoter.

L'élément électrique auxiliaire est activé.

La température programmée actuelle (température programmée 1 ou température programmée 2) est ignorée. En mode d'urgence, l'appareil fonctionne avec une température programmée fixe de 40 °C (104 °F). Après l'activation unique de la fonction par le biais de la touche de chauffage rapide, cette fonction reste active pendant 7 jours.

Au bout de 7 jours de fonctionnement de sauvegarde, l'élément électrique auxiliaire est désactivé. Le code de défaillance apparaît sur l'affichage clignote à nouveau «8».

Si la touche de chauffage rapide est enfoncée à nouveau dans les sept jours qui suivent le fonctionnement de sauvegarde, la période de sept jours de fonctionnement pour le mode d'urgence recommence à nouveau à partir de ce moment-là.

Le fait d'appuyer sur la touche de chauffage rapide n'active le mode de sauvegarde que si une défaillance de code 8 est survenue précédemment. En mode normal, le fait d'appuyer sur la touche de chauffage rapide déclenche le mode de chauffage pour 48 heures (Voir 5.5, « Touche du chauffage rapide », p. 89).

Une coupure de courant aura pour effet immédiat d'annuler le mode de sauvegarde. La thermopompe va essayer de se remettre à chauffer une fois que le courant est revenu. Si la thermopompe reste hors service, le mode de sauvegarde d'urgence peut être réactivé au bout de 13 heures.

5.6 Arrêt d'urgence

En cas d'urgence, procédez comme suit :

- ▶ Coupez l'alimentation en débranchant l'appareil ou en faisant basculer le disjoncteur.
- ▶ Coupez le robinet d'admission d'eau froide.
- ▶ Avertissez immédiatement un entrepreneur spécialisé, car l'appareil n'est plus protégé contre la corrosion lorsque l'alimentation est coupée.
- ▶ Vidangez le réservoir s'il y a une coupure de courant de plus de deux jours.

6. Maintenance et entretien



AVERTISSEMENT Électrocution
N'insérez pas d'objets par la grille dans l'appareil.
Ne vaporisez jamais l'appareil d'eau
Ne vaporisez jamais d'eau dans l'appareil.



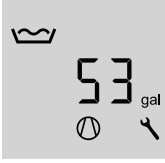
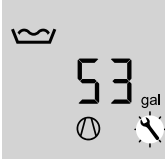
AVERTISSEMENT Blessure
Il est impératif que tous les travaux d'entretien, comme la vérification de la sécurité électrique, soient exécutés par un entrepreneur spécialisé.

Composants de l'appareil	Conseils pour le soin et l'entretien
Enveloppe	Utilisez un chiffon humide pour nettoyer les sections de l'enveloppe. N'utilisez jamais de produits nettoyants abrasifs ou corrosifs.

Composants de l'appareil	Conseils pour le soin et l'entretien
Grille d'admission de l'air / grille d'évacuation de l'air	Nettoyez la grille d'admission et la grille d'évacuation de l'air tous les six mois. Les toiles d'araignées et autres objets contaminants peuvent limiter l'arrivée d'air dans l'appareil.
Réservoir d'ECS	Le réservoir d'ECS est équipé d'une anode à courant imposé ne nécessitant aucun entretien pour le protéger contre la corrosion. L'alimentation ne doit pas être coupée lorsque l'appareil est rempli d'eau pour que l'anode à courant imposé puisse offrir cette protection. Sinon, il y a un risque de corrosion.
Élément électrique auxiliaire	Faites détartrer l'élément électrique auxiliaire de temps en temps. Cela prolongera la durée de vie de l'élément électrique auxiliaire.
Appareil	Faites inspecter l'évaporateur et le dispositif de sécurité à intervalles réguliers par un entrepreneur spécialisé.
Tuyau d'écoulement	Desserrez le tuyau d'écoulement. Vérifiez que le tuyau d'écoulement ne soit pas bouché et retirez toute saleté accumulée au niveau du raccordement à l'appareil.

7. Dépannage

Problème	Cause	Solution
Pas d'eau chaude disponible.	L'appareil n'est pas sous tension 220-240 V. Le disjoncteur du panneau électrique a basculé.	Vérifiez que l'appareil est connecté à l'alimentation électrique 220-240 V. Vérifiez si le disjoncteur du panneau électrique a basculé. Déconnectez, le cas échéant, l'appareil de l'alimentation électrique et remplacez le disjoncteur. Adressez-vous à votre entrepreneur si cela se reproduit une fois que l'appareil a été reconnecté à l'alimentation électrique.
	L'arrivée ou l'évacuation d'air de l'appareil est bloquée.	Vérifiez la grille d'admission et la grille d'évacuation de l'air pour voir si elles doivent être nettoyées. Retirez toute trace de contamination (Voir 6, « Maintenance et entretien », p. 90). Vérifiez le réglage du thermostat
	La température ambiante dépasse la limite d'application supérieure (Voir 17.3, « Tableau de données », p. 109). Le dispositif de sécurité de l'appareil a été déclenché et l'appareil s'est arrêté automatiquement.	Attendez que l'appareil refroidisse. Appelez un entrepreneur spécialisé si l'appareil ne se remet en route automatiquement.
	La température ambiante passe au-dessous de la limite d'application inférieure (Voir 17.3, « Tableau de données », p. 109). L'évaporateur est en phase de dégivrage.	Attendez que l'appareil se remette en marche automatiquement.
L'appareil ne va pas chauffer le réservoir d'ECS même si le symbole de la thermopompe est allumé.	Le délai de blocage du compresseur n'est pas encore écoulé. Une fois que le compresseur a été désactivé, il ne pourra être réactivé qu'au bout de 20 minutes, après que le délai de blocage du compresseur se soit écoulé.	Aucune intervention n'est nécessaire.
La soupape de surpression de l'arrivée d'eau froide a des fuites.	Veillez à ce que le circuit d'eau chaude soit muni d'un volume d'expansion adéquat.	Si l'eau continuait à s'écouler une fois le chauffage terminé, adressez-vous à un entrepreneur spécialisé. Si vous utilisez un filtre à sable, vérifiez l'étanchéité de la soupape T & P. Si le volume d'expansion est trop petit, installez un plus grand vase d'expansion.
Le tuyau d'écoulement coule goutte à goutte.	La température en surface de l'évaporateur est inférieure à celle du point de rosée de l'air ambiant. Cela entraîne la formation de condensats.	La quantité de condensats dépend de la teneur en humidité de l'air.
La température ambiante baisse trop.	La température ambiante de la pièce baisse à cause du fonctionnement de la thermopompe.	La baisse de température dépend de la demande en eau chaude et de la taille de la pièce où se trouve le chauffe-eau. Si la température de la pièce où se trouve le chauffe-eau baisse de plus de 4 °C (7 °F), mesurez les dimensions de cette pièce.

Problème	Cause	Solution
Le symbole de service reste allumé.	Voir 7.1, « Code de défaillance », p. 91	Avertissez un entrepreneur spécialisé.
		
Le symbole de service clignote et l'eau ne se réchauffe pas.	Voir 7.1, « Code de défaillance », p. 91	Il est impératif que vous avertissiez un entrepreneur spécialisé.
		
Le voyant Pompe à chaleur est allumé mais le compresseur ne fonctionne pas. Le ventilateur est en marche.	L'appareil est en mode de dégivrage.	Aucune intervention n'est nécessaire.
Le voyant « Pompe à chaleur » clignote.	Il y a une demande de chaleur mais le compresseur est verrouillé.	Aucune intervention n'est nécessaire. Le compresseur se remet automatiquement en marche après le temps de verrouillage. Le temps de verrouillage du compresseur dure environ 20 minutes après arrêt de celui-ci. Le clignotement du voyant s'arrête automatiquement.
Le voyant « Résistance électrique d'appoint et de secours » clignote.	Durant la phase de chauffage rapide, un thermostat a désactivé la résistance électrique d'appoint ou de secours.	Aucune intervention n'est nécessaire. L'appareil poursuit le chauffage rapide au moyen de la pompe à chaleur. Le voyant arrête de clignoter lorsque le régulateur donne de nouveau l'autorisation de chauffage à la « résistance électrique d'appoint ou de secours ». Le voyant s'éteint lorsque toute l'eau contenue dans le ballon d'ECS a atteint la température de consigne de 65 °C (149 °F).

7.1 Code de défaillance

Si le symbole de service/défaillance clignote ou reste allumé à l'affichage, vous pouvez obtenir un code de défaillance.

7.1.1 Menu des codes de défaillances 1



Appuyez plusieurs fois sur la touche menu jusqu'à ce que le code de défaillance s'affiche après le menu de modification des unités.



Le code de défaillance s'affiche

Code de défaillance	Symbole de service	Description de la défaillance	Solution
0		Aucune défaillance	
2	reste allumé	Le capteur du dôme est tombé en panne. La température affichée est mesurée par un capteur intégral. L'appareil continuera à marcher correctement mais la quantité d'eau mitigée sera indiquée comme étant inférieure à 2 gallons US (5 litres).	Contactez Stiebel Eltron pour plus de détails si cette erreur survient.
4	reste allumé	Le capteur intégral est tombé en panne. L'affichage de l'eau mitigée n'indique pas la quantité correcte, mais l'appareil continue à bien fonctionner.	Contactez Stiebel Eltron pour plus de détails si cette erreur survient.
6	clignote	Les capteurs du dôme et intégral sont tombés en panne. L'appareil cesse la production de chaleur.	Contactez un entrepreneur spécialisé.
8	clignote	L'appareil reconnaît que le réservoir d'ECS n'a pas chauffé depuis 13 heures sans que la demande ait disparu.	Vous pouvez continuer à utiliser l'appareil en activant le mode de sauvegarde. Voir 5.5.2, « Mode d'urgence », p. 89. Contactez Stiebel Eltron pour plus de détails si cette erreur survient.
16	reste allumé	Court-circuit de l'anode à courant imposé / l'anode de protection est tombée en panne	Avisez immédiatement un entrepreneur spécialisé, car l'appareil n'est plus protégé contre la corrosion lorsque l'anode à courant imposée est défaillante.
32	clignote	L'appareil fonctionne avec un réservoir vide ou l'appareil ne produit plus d'eau chaude. Le courant de l'anode est interrompu. L'appareil ne chauffe pas.	Remplissez l'appareil d'eau. Le code de défaillance disparaît et l'appareil démarre. L'entrepreneur doit vérifier la connexion de l'anode à courant imposé et le câblage interne.
128	reste allumé	Pas de communication entre la commande et l'affichage. Les dernières valeurs programmées sont actives.	Vérifier la connexion entre l'affichage et le panneau de commande.
256	clignote	Mode à distance activé manuellement (seul l'élément électrique auxiliaire est actif).	Voir 5.5.2, « Mode d'urgence », p. 89

7.1.2 Menu des codes de défaillances 2

Code de défaillance	Symbole de service	Description de la défaillance	Solution
E 2	clignote	Le capteur de température sur l'évaporateur est défaillant.	Avertissez un entrepreneur spécialisé.
E 16	affiché en permanence	Le limiteur de haute pression s'est déclenché. Le mode de chauffage du compresseur est provisoirement bloqué. Le mode de chauffage du compresseur reprendra dès que la pression sera retombée dans les valeurs normales.	Attendez jusqu'à ce que la pression revienne à la normale.
E 32	affiché en permanence	Une défaillance électrique est survenue.	Contactez Stiebel Eltron pour plus de détails si cette erreur survient.
E 64	clignote	La température de l'évaporateur < température minimale de l'évaporateur	Avertissez un entrepreneur spécialisé.
E 128	clignote	Une défaillance du commutateur de pression permanente est survenue. Une défaillance de pression est survenue plusieurs fois pendant un intervalle d'évaluation de la défaillance de pression défini.	Avertissez un entrepreneur spécialisé.

Si plus d'une défaillance survient, le code de défaillance représente la somme de tous les codes indiqués.

Exemple : Si le capteur du dôme et le capteur intégral tombent en panne, le code de défaillance affiché est 6 (=2+4).

Scénarios d'application pour le mode d'urgence

Si l'appareil affiche un code de défaillance 8, vous pouvez activer manuellement le mode d'urgence. Si une autre défaillance est survenue préalablement, mais qu'elle n'a pas entraîné la désactivation de l'appareil, l'affichage peut indiquer un code de défaillance qui soit la somme de plusieurs défaillances.

Veuillez trouver ci-après les codes de défaillance qui vous permettent d'activer le mode d'urgence.

Codes de défaillance s'affiche	Codes de défaillance individuelle
8	8
10	Code de défaillance 8 + code de défaillance 2
12	8+4
24	8+16
26	8+2+16
28	8+4+16
138	8+2+128
140	8+4+128
152	8+16+128
154	8+2+16+128
156	8+4+16+128

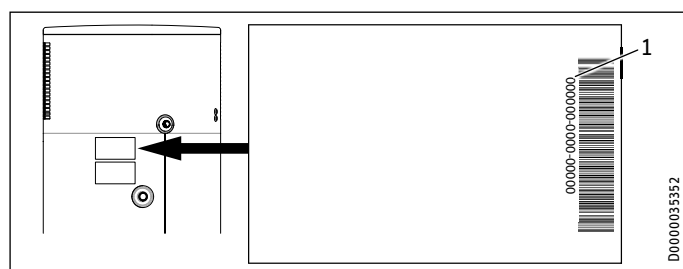
Lorsque l'appareil fonctionne en mode d'urgence, le code de défaillance affiché est augmenté de 256.

Codes de défaillance s'affiche en Mode d'urgence	Codes de défaillance individuelle
264	8+256
266	8+2+256
268	8+4+256
280	8+16+256
282	8+2+16+256
284	8+4+16+256
394	8+2+128+256
396	8+4+128+256
408	8+16+128+256
410	8+2+16+128+256
412	8+4+16+128+256

Avertir un entrepreneur spécialisé

Si vous ne pouvez pas remédier au problème, contactez votre entrepreneur spécialisé. Pour faciliter et expédier votre demande, fournissez le numéro de série inscrit sur la plaque signalétique (000000-0000-00000). La plaque signalétique se trouve sur l'appareil au-dessus de la connexion de la sortie d'ECS.

Plaque signalétique type



1 Numéro de série sur la plaque signalétique

INSTALLATION

8. Sécurité

Seul un entrepreneur spécialisé peut exécuter l'installation, la mise en service, l'entretien et la réparation de l'appareil.

8.1 Généralités relatives à la sécurité

Pour éviter une réclamation dans le cadre de la garantie, n'utilisez que des accessoires et des pièces après-vente d'origine. Si vous avez besoin de pièces après-vente, appelez le 800.582.8423.

8.2 Directives, normes et règlements



Remarque

Respectez tous les règlements et directives nationaux et régionaux en vigueur.

Veuillez remarquer la plaque signalétique de l'appareil et le chapitre « Spécifications ».

8.3 Usage incorrect

Les emplois décrits ci-après ne sont pas autorisés :

- N'installez pas le chauffe-eau sur un faux plancher
- N'installez pas le chauffe-eau là où il pourrait geler
- N'installez pas dans des pièces où le chauffe-eau serait exposé aux risques d'explosion du fait de la présence de poussières, gaz et vapeurs
- N'ignorez pas les distances de sécurité et les zones de sécurité
- N'installez pas incorrectement la configuration électrique
- Ne faites jamais fonctionner le chauffe-eau lorsque son enveloppe est ouverte
- Ne chauffez que de l'eau potable
- Ne remplissez jamais avec d'autres Fréon, n'utilisez que du R134A

8.4 Qualification

Dans ce manuel, les personnes spécialisées seront mentionnées sous le terme « installateur agréé ».

Les installateurs agréés sont responsables pour le respect de tous les règlements en vigueur lors de l'installation et du démarrage initial.

8.4.1 Installateur agréé

Les installateurs agréés ont reçu une formation professionnelle particulière. Les installateurs agréés travaillent sur les systèmes en s'appuyant sur leur formation, leur savoir-faire et leur expérience ainsi que leur connaissance des normes et règlements en vigueur. Ils sont capables d'identifier et de prévenir des problèmes potentiels par eux-mêmes.

8.4.2 Électricien (agréé)

Un électricien est un installateur agréé qui satisfait aux exigences décrites ci-dessus en ce qui concerne les installations électriques.

8.4.3 Plombier (agr  )

Un plombier est un installateur agr   qui satisfait aux exigences d  crites ci-dessus en ce qui concerne les installations impliquant des travaux avec l'eau.

8.4.4 Service client  le

Pour les questions concernant le service    la client  le, veuillez vous adresser directement    Stiebel Eltron en composant le 1.800.582.8423.

9. Description de l'appareil

La thermopompe se situe dans la partie sup  rieure de l'appareil. Le r  servoir d'ECS se situe dans la partie inf  rieure de l'appareil.

9.1 Livraison normale

Les articles suivants sont livr  s avec l'appareil :

- Tuyau d'  coulement
- Soupape T & P, 6,9 bar    99   C (100 lb/po²    210   F),   tanch  it   test  e

9.2 Accessoires obligatoires

Divers dispositifs de s  curit   sont disponibles et devront   tre choisis en fonction de la pression statique respective. Ces dispositifs de s  curit   de s  rie prot  gent l'appareil contre une pression excessive inacceptable.

- Un robinet r  ducteur de pression doit   tre install   pour assurer que la pression de la ligne d'arriv  e d'eau n'exc  de jamais 4,8 bar (70 lb/po²).
- Un vase d'expansion pour l'eau potable de 19 litres (5 gallons) pr  gonfl      4,8 bar (70 lb/po²) doit   tre install   sur la ligne d'arriv  e d'eau.

9.3 Autres accessoires

- Pompe    condensats (s'il y a une pente de base minimale pour   vacuer les condensats, utiliser une pompe    condensats)

10. Pr  parations

10.1 Transport



ATTENTION Blessure

- Veuillez noter le poids de l'appareil.
- Utilisez des outils de transport adapt  s (par exemple, un diable) et suffisamment de main-d'  uvre



Pertes mat  rielles

- L'appareil est tr  s lourd en haut et peut basculer facilement.
- Veuillez    ce que l'appareil ne soit pas inclin  .
- Ne posez l'appareil que sur un socle de niveau.



Pertes mat  rielles

- L'enveloppe de l'appareil n'est pas con  ue pour r  sister    des forces importantes. Une mauvaise manipulation peut entra  ner des pertes consid  rables.
- Respectez les renseignements imprim  s sur l'emballage.

Laissez l'appareil emball   et sur une palette lors du transport. Cela permet de le transporter horizontalement et prot  ge l'appareil lors du transport.

Retirez l'emballage peu de temps avant de l'installer et ne le d  ballez pas tant qu'il n'y a pas arriv   dans la pi  ce d'installation finale.

Transport par v  hicule



Pertes mat  rielles

- Il est recommand   d'entreposer et de transporter l'appareil verticalement.

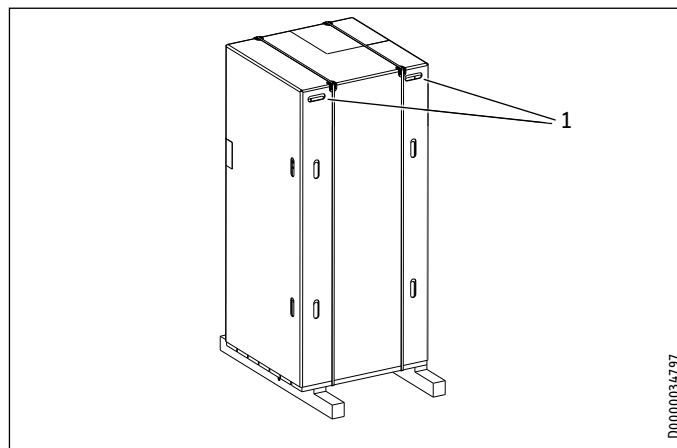
L'appareil peut   tre transport   horizontalement sur des routes en bon   tat. Il est interdit de lui faire subir de gros chocs.



Pertes mat  rielles

- L'appareil ne peut pas rester en position horizontale plus de 24 heures.
- Si l'appareil a   t   transport   horizontalement, il faut le garder en position verticale pendant au moins une heure avant de le mettre en service.

- Respectez les renseignements imprim  s sur l'emballage.



1 Poign  es dissimul  es

Transport du v  hicule    la pi  ce d'installation

La bo  te en carton poss  de des poign  es dissimul  es renforc  es le long du haut de l'appareil. Vous pouvez utiliser ces poign  es dissimul  es, ainsi que la partie inf  rieure de la palette pour porter l'appareil dans la pi  ce d'installation. Veuillez noter le poids de l'appareil et vous assurer qu'il y a suffisamment de personnes pour le manipuler.

INSTALLATION

Préparations

10.2 Entreposage

S'il est nécessaire d'entreposer l'appareil pendant une longue période avant de l'installer, respectez les directives suivantes :

- N'entreposez cet appareil qu'en position verticale. Ne rangez jamais cet appareil horizontalement.
- Entreposez cet appareil dans un endroit sec et à l'abri de la poussière.
- Protégez cet appareil pour éviter qu'il n'entre en contact avec des substances corrosives.

10.3 Site d'installation

L'appareil n'a pas été approuvé pour être installé à l'extérieur, à l'exception des garages.

Pour éviter d'endommager l'appareil :

- L'emplacement où l'appareil doit être installé doit être libre de tous gaz et substances inflammables et fortement combustibles. Il doit aussi être relativement sans poussière.
- La pièce d'installation doit être à l'abri du gel.
- La température de l'arrivée de l'appareil doit être dans les limites autorisées de son application (Voir 17.3, « Tableau de données », p. 109).
- Le plancher de la pièce d'installation doit être de niveau et avoir une force portante suffisante. Veuillez tenir compte du poids de l'appareil avec un réservoir d'ECS plein (Voir 17.3, « Tableau de données », p. 109). Un plancher dont les fondations n'auraient pas suffisamment de résistance pour s'écrouler. Si l'appareil n'était pas équilibré, cela pourrait l'endommager.
- La taille de la pièce d'installation doit correspondre aux limites d'application de l'appareil (Voir 17.3, « Tableau de données », p. 109).
- Respectez les distances de sécurité et les zones de sécurité.
- Laissez suffisamment de place pour qu'on puisse y accéder pour l'installation, l'entretien et le nettoyage. Respectez les distances minimales obligatoires (Voir 10.4, « Placement de l'appareil », p. 95).
- Veillez à ce que le fonctionnement de l'autre équipement dans la pièce d'installation n'est pas perturbé.
- Pour réduire la longueur des conduites, installez l'appareil près de la cuisine ou de la salle de bain.
- Pour éviter d'être dérangé par le bruit causé par le fonctionnement, n'installez jamais l'appareil à proximité des chambres.

Il est absolument interdit d'installer l'appareil dans les pièces suivantes, car cela pourrait endommager l'appareil :

- Emplacement où l'air est contaminé par l'huile ou le sel
- Milieux salins
- Endroits à proximité de machines à haute fréquence
- Endroits où l'air contient de l'ammoniaque (par exemple les égouts)
- Endroits où l'air contient du chlore (par exemple les piscines)
- En général, là où l'air est fortement contaminé, par exemple à cause de la poussière, ou là où l'air contient des substances agressives



Remarque

Les données de performance notées pour cet appareil sont conformes à la norme en vigueur lorsque la température de l'air est de 15 °C (59 °F). Au-dessous de cette température, l'efficacité de l'appareil décroît.



Remarque

Il est possible d'améliorer l'efficacité de l'appareil en utilisant la chaleur et l'humidité provenant d'autres appareils pour chauffer le réservoir d'ECS, comme par exemple des chaudières, des sècheurs à linge ou des congélateurs.

Bruits

Les côtés de l'admission et de l'évacuation de l'air émettent plus de bruit que les autres côtés de l'enveloppe.

- Ne dirigez jamais l'admission ou l'évacuation de l'air vers des pièces sensibles au bruit, par exemple des chambres.

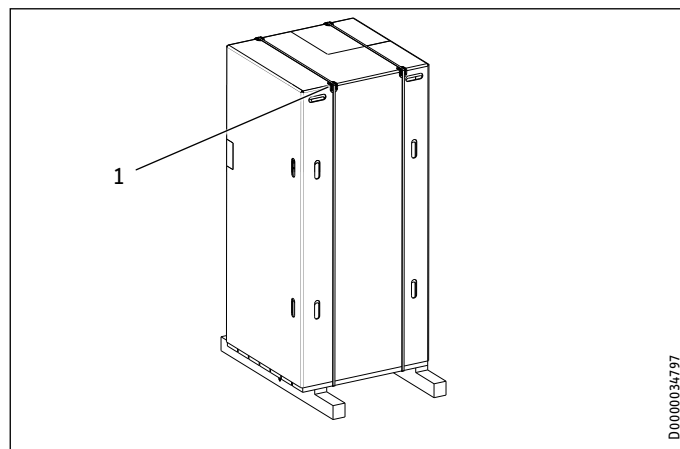


Remarque

Pour plus de détails sur les bruits, Voir 17.3, « Tableau de données », p. 109.

10.4 Placement de l'appareil

- Dégrafez délicatement l'emballage en carton au niveau des pinces.



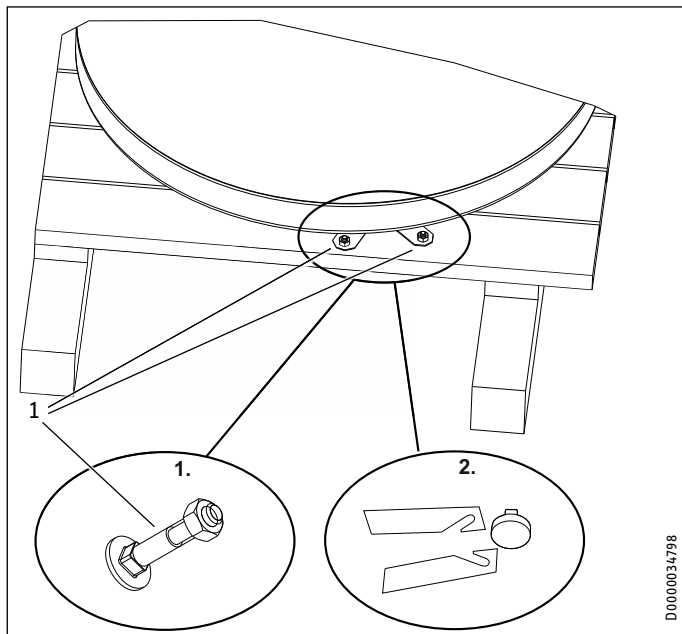
1 Pincettes de l'emballage en carton

D0000034797

INSTALLATION

Préparations

L'appareil est fixé à la palette à l'aide de support en métal et de vis. Les supports en métal sont accrochés sur les pieds sous la plaque inférieure de l'appareil.

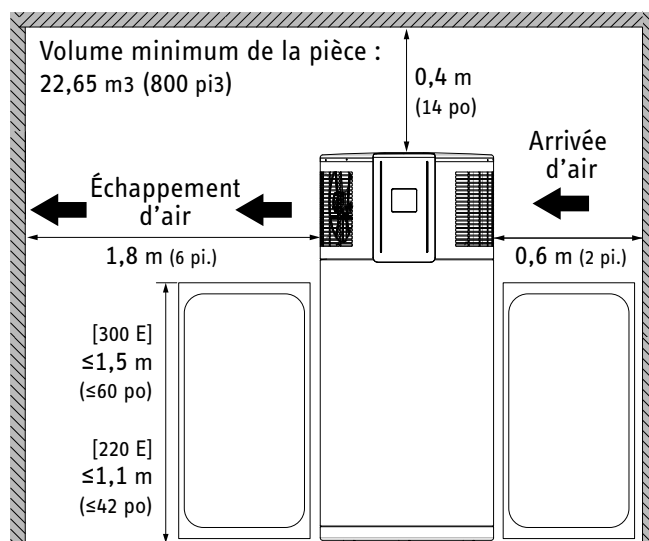


- 1 Boulon de fixation du support en métal
- ▶ Retirez les boulons de fixation des supports en métal de la palette.
 - ▶ Poussez légèrement les supports en métal vers le centre du réservoir pour les dégager des pieds de l'appareil.
 - ▶ Tirez les supports en métal pour les sortir du dessous de l'appareil.

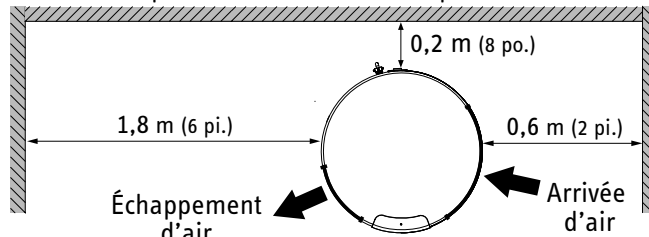
! Pertes matérielles
Veuillez noter le poids de l'appareil et le fait qu'il est plus lourd en haut.

- ▶ Faites légèrement basculer l'appareil et faites le rouler pour le sortir de la palette.
- ▶ Amenez l'appareil à son emplacement final.

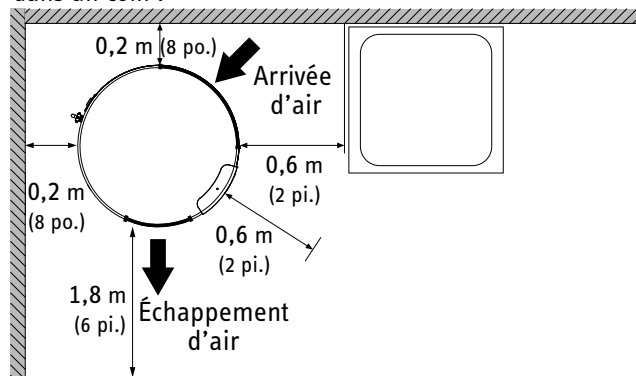
10.5 Distances minimales



Position acceptable, ouïe de ventilation parallèle à un mur :

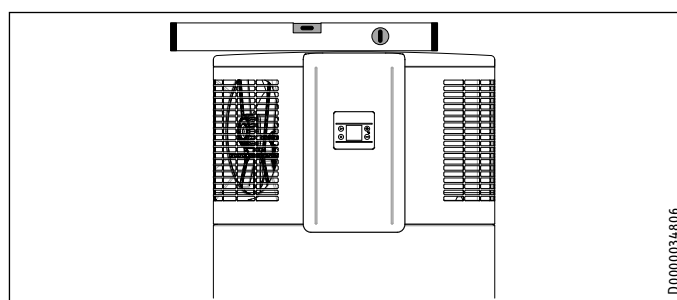


Position acceptable, ouïe de ventilation parallèle à un mur dans un coin :



- ▶ Respectez les distances minimales.

! Pertes matérielles
Le haut de l'appareil doit être à l'horizontale.
▶ Mettez l'appareil à niveau horizontalement à l'aide de pieds réglables.



11. Installation



AVERTISSEMENT Blessure

Une mauvaise installation peut entraîner de graves blessures ou des pertes matérielles.

Avant de commencer les travaux, veillez à ce qu'il y ait suffisamment de place pour l'installation.

Manipulez les pièces acérées avec précaution.

11.1 Raccordements d'eau



Pertes matérielles

Exécutez tous les travaux de branchement de l'eau et d'installation conformément aux réglementations en vigueur en matière de plomberie.



Pertes matérielles

Pour assurer la protection anticorrosion cathodique, la conductivité électrique de l'eau sanitaire doit se trouver dans la plage indiquée au chapitre 16.3, « Tableau de données ».

Les combinaisons de matériaux suivantes sont approuvées pour les installations de plomberie :

Arrivée d'eau froide	Sortie de l'eau chaude sanitaire
Conduite en cuivre	Conduite en cuivre
Conduite en acier	Conduite en acier ou en cuivre
Tube en polyéthylène réticulé	Tube en polyéthylène réticulé

- ▶ Rincez bien les tuyauteries avant de les connecter à l'appareil. Les corps étrangers, comme les points de soudage, la rouille, le sable ou les enduits d'étanchéité peuvent nuire à la fiabilité fonctionnelle de l'appareil.



Pertes matérielles

Pour protéger les raccords de la corrosion, la connexion de la conduite d'eau doit toujours être faite avec un ruban de plombier pour filetage de tuyaux (PTFE). L'utilisation du chanvre sur les filets du mamelon ne est pas admissible en raison du risque de corrosion.

11.1.1 Soupape de surpression

L'appareil est un réservoir d'ECS étanche non ventilé. L'appareil est fourni avec une soupape de décharge de température et de pression installée en usine et éprouvée contre les fuites.

- ▶ Installez une soupape de surpression de série sur la conduite d'arrivée d'eau froide. La pression de réponse de la soupape de surpression doit se trouver au-dessous ou au même niveau que la pression d'exploitation autorisée pour le réservoir d'ECS.

Cette soupape de surpression protège l'appareil contre une pression excessive inacceptable.

- ▶ Veillez à ce que l'eau d'expansion qui s'échappe de la soupape de surpression puisse s'égoutter dans une conduite d'évacuation, par exemple, un récipient ou un évier.

Veillez à ce que la conduite d'évacuation ne puisse pas être fermée.

- ▶ Choisissez la dimension de la conduite d'évacuation de sorte que l'eau puisse être totalement évacuée sans obstacle lorsque la soupape de surpression est entièrement ouverte.
- ▶ Veillez à ce que la conduite d'évacuation de la soupape de surpression soit ouverte à l'air libre.
- ▶ Faites en sorte que la conduite d'évacuation de la soupape de surpression soit dirigée vers le bas et dans une pièce à l'abri du gel.

11.1.2 Robinet de pression



Remarque

Une 4,8 bar (70 lb/po²) robinet de pression doit être installé pour assurer la pression de la ligne d'arrivée d'eau ne dépasse jamais 4,8 bar (70 lb/po²).

11.1.3 Clapet antiretour

Installez un clapet antiretour dans la conduite d'eau froide (après le robinet de pression, le cas échéant). Ce clapet antiretour est nécessaire pour éviter que l'eau revienne en arrière dans la conduite d'eau froide.

11.1.4 Robinet de purge

Installez un robinet de purge adapté à l'endroit le plus bas de la conduite d'arrivée d'eau froide.

11.1.5 Isolation thermique

Isoler la conduite d'ECS pour la protéger des pertes de chaleur conformément aux règlements locaux en vigueur.

11.1.6 Boucle de recirculation

Stiebel Eltron déconseille l'installation de cet appareil dans n'importe quelle configuration de boucle de recirculation. Si une boucle de recirculation s'avère nécessaire, il est possible de guider le retour de la boucle de recirculation en le faisant passer par le porte de la soupape T&P de l'appareil. La soupape T&P ne doit pas être omise pour qu'un raccord en T soit utilisé dans cette configuration. Veillez à ce que la soupape T&P soit suffisamment submergée.

Installez toujours une boucle de recirculation avec un dispositif de limite de thermostat ou une minuterie. Toute installation sans ces dispositifs entraînera un fonctionnement ininterrompu de l'appareil et, par conséquent, une consommation élevée d'électricité et des périodes de fonctionnement prolongées du compresseur qui réduiront la durée de vie de l'appareil et annuleront la garantie.



Remarque

L'efficacité énergétique de l'Accelera sera réduite lorsque l'appareil est installé avec une boucle de recirculation du fait de la réduction de la stratification thermique du réservoir. Contactez le support technique de Stiebel Eltron pour plus de conseils.

INSTALLATION

Installation

11.2 Tuyau d'écoulement

Installez un tuyau d'écoulement pour retirer les condensats qui se forment.

- ▶ Connectez le tuyau d'écoulement fourni normalement avec l'appareil au raccordement du « tuyau d'écoulement. »
- ▶ Connectez un tuyau d'écoulement au coude du tuyau d'écoulement.



Pertes matérielles

Veillez à ce que l'eau ne puisse pas s'accumuler dans le tuyau d'écoulement.

- ▶ Utilisez un tuyau d'écoulement dont le diamètre est supérieur au diamètre du coude du tuyau d'écoulement.
- ▶ Veillez à ce que le tuyau d'écoulement ne soit pas tordu.
- ▶ Donnez au tuyau d'écoulement une pente continue. Le tuyau d'écoulement doit être ouvert à l'air libre.

- ▶ Utilisez une pompe à condensats adaptée si vous ne pouvez pas obtenir une pente suffisante. Respectez les caractéristiques du bâtiment.

11.3 Changer le mode de fonctionnement

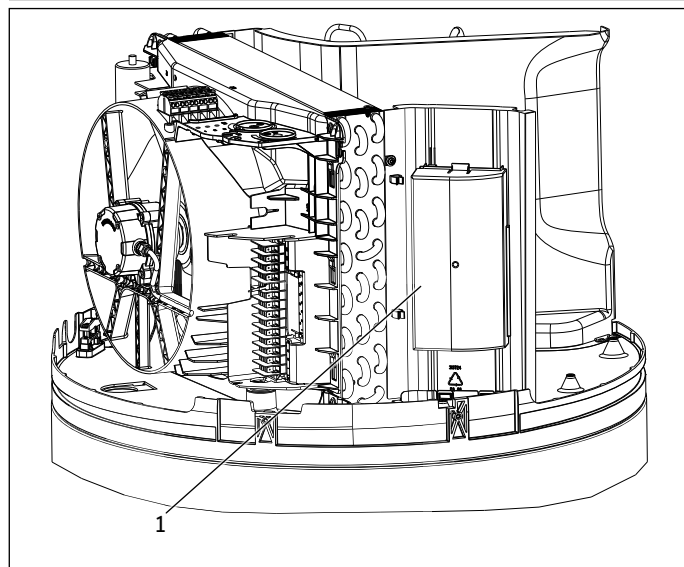
L'appareil est réglé en usine au Mode automatique (Voir 5.3, « Changer le mode de fonctionnement », p. 89). Si l'appareil doit être réglé en Mode thermopompe seulement, sélectionnez ce réglage avant de mettre l'appareil en service.

Pour changer le mode sélectionné, retirez le couvercle et l'enveloppe circulaire (Voir 16.1, « Retrait du couvercle de l'appareil. », p. 103 et 16.2, « Retrait du collier de l'enveloppe »).



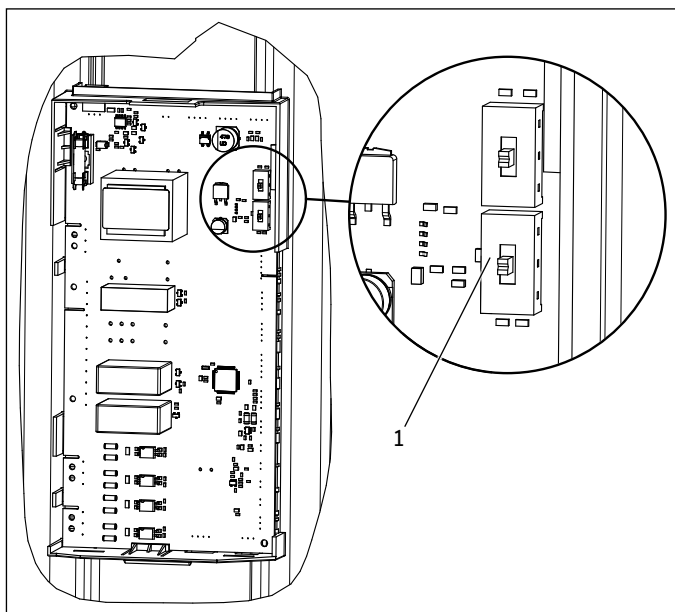
AVERTISSEMENT Électrocution

Veillez à ce que l'appareil soit débranché de l'alimentation électrique avant de changer le mode de fonctionnement ou d'exécuter quelle opération de maintenance que ce soit.



1 Couvercle du panneau de contrôle

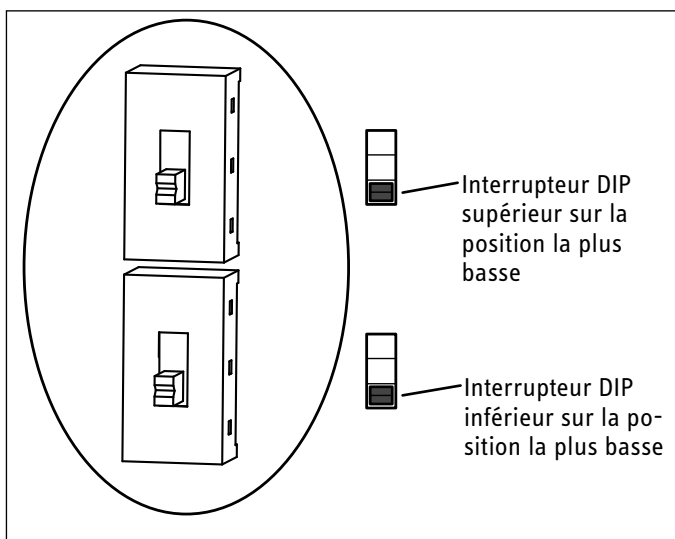
Retirez le couvercle du panneau de contrôle.



1 Interrupteurs DIP des modes de fonctionnement

11.3.1 Mode par défaut

L'appareil est livré de l'usine en mode automatique (Voir 5.3.1, « Mode automatique », p. 89). Ce mode est actif lorsque les interrupteurs DIP supérieur et inférieur sont tous les deux réglés sur les positions les plus basses.

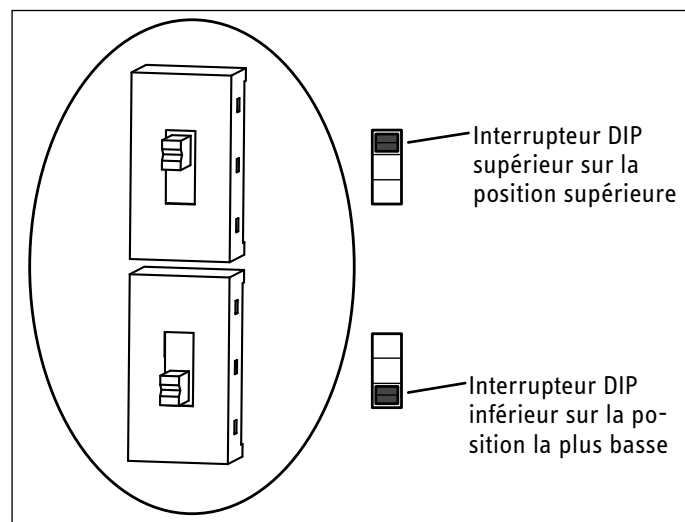


INSTALLATION

Installation

11.3.2 Mode thermopompe seulement

L'appareil peut être réglé en mode thermopompe uniquement (Voir 5.3.2, « Mode thermopompe seulement », p. 89). Ce mode est actif lorsque l'interrupteur DIP supérieur est réglé sur la position supérieure et l'interrupteur DIP inférieur est réglé sur la position la plus basse.



11.4 Configuration électrique



AVERTISSEMENT Électrocution

Exécutez tous les travaux de configuration électrique et d'installation conformément aux réglementations nationales et régionales en vigueur.



AVERTISSEMENT Électrocution

Lorsque l'appareil est branché de manière permanente à l'alimentation principale, veillez à ce que vous puissiez le séparer de l'alimentation électrique par le biais d'un sectionneur d'isolation qui permet de déconnecter le double pôle grâce à une séparation de contact d'au moins 4 mm (1/8 po). Vous pouvez utiliser pour cela des contacteurs, des interrupteurs de sectionnement ou des disjoncteurs.



AVERTISSEMENT Électrocution

► Respectez les règlements relatifs à la sécurité pour éviter tout contact avec des pièces sous tension.



AVERTISSEMENT Électrocution

Tout contact avec des composants sous tension peut être fatal. Débranchez l'appareil de l'alimentation électrique avant d'exécuter des travaux sur le panneau de commande. Évitez que l'alimentation électrique ne soit réactivée pendant que vous effectuez des travaux sur le système.



AVERTISSEMENT Électrocution

Une mise à la terre insuffisante pourrait être à l'origine d'une électrocution. Veillez à ce que l'appareil soit mis à la terre conformément aux exigences des codes locaux en vigueur.



AVERTISSEMENT Électrocution

Le câble d'alimentation ne doit être remplacé (par exemple s'il est endommagé) que par une pièce après-vente installée par un entrepreneur spécialisé agréé par le fabricant. Pour une pièce après-vente d'origine, veuillez contacter Stiebel Eltron au 800.582.8423 pour le numéro de pièce 315650.



Pertes matérielles

La tension de l'appareil doit correspondre à la tension spécifiée sur la plaque signalétique.



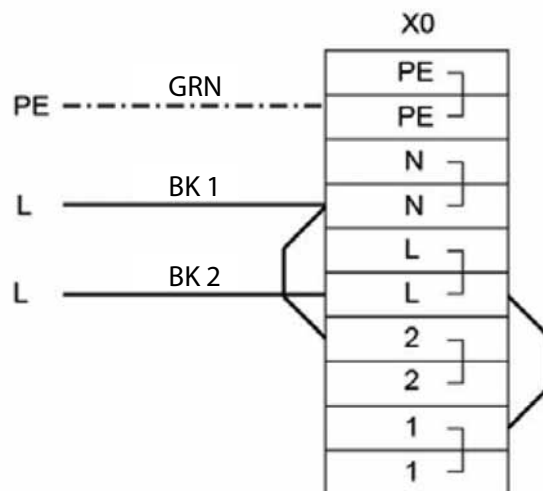
Pertes matérielles

Ne connectez jamais l'appareil à l'alimentation électrique avant que le réservoir d'ECS ne soit plein.

11.4.1 Connexion normale sans transmetteur de signal externe

La configuration de connexion normale pour cet appareil utilise deux bornes de charge sur les bornes X0/L & X0/N avec une connexion de mise à la terre sur X0/PE. Cette connexion exige un disjoncteur de type C bipolaire 1 - 15 A.

Dans cette configuration, l'appareil fonctionne pour atteindre la température prédéfinie principale.



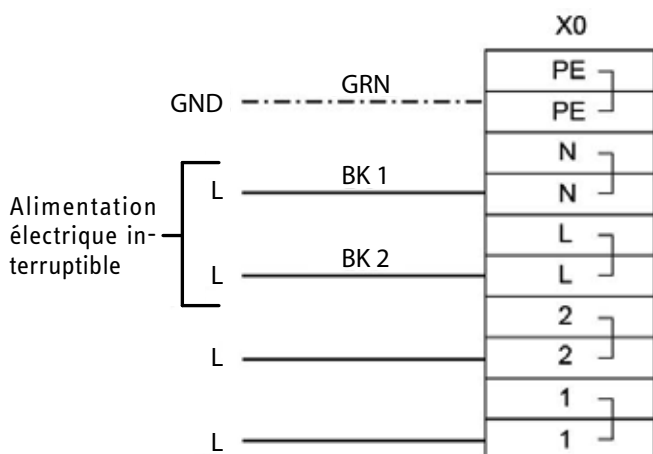
11.4.2 Connexion avec raccordement électrique en dehors des heures de pointe

Cet appareil peut être connecté à une connexion 240 V indépendante permettant une configuration d'alimentation électrique potentielle en dehors des heures de pointe. Pour raccorder cette configuration, il faut brancher des bornes de charge supplémentaires aux bornes X0/2 & X0/1. Les jonctions entre les bornes X0/N & X0/2 et entre les bornes X0/L & X0/1 doivent être retirées.

La connexion sur les bornes X0/N & X0/L reste la connexion principale pour le fonctionnement. L'installateur peut configurer de sorte qu'elle peut être interrompue de manière externe pour être utilisée avec une minuterie ou pour une configuration de fonctionnement en dehors des heures de pointe. La deuxième borne de charge aux bornes X0/2 & X0/1 ne sert qu'à maintenir une protection contre la corrosion par le biais d'une anode à courant imposé lors d'une coupure de courant sur la connexion principale.

INSTALLATION

Installation

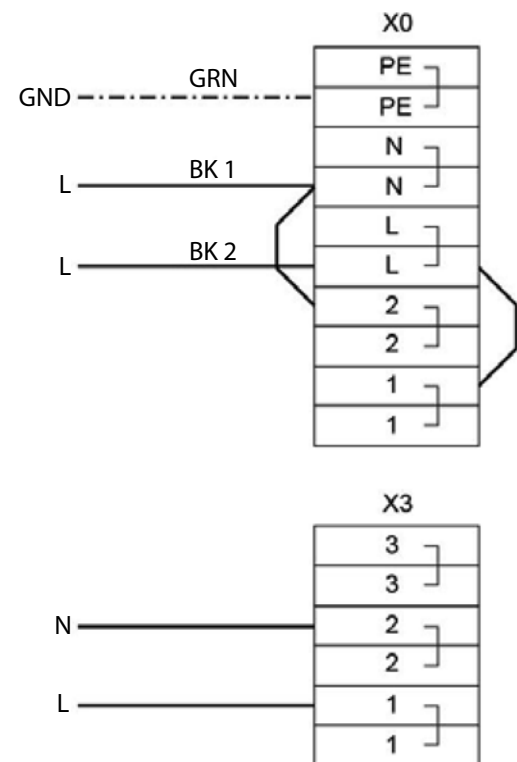


11.4.3 Connexion avec un transmetteur de signal externe

L'appareil peut être connecté à un signal externe en sus de la connexion normale. Deux câbles avec 240 V potentiel doivent être connectés aux bornes X3/2 & X3/1. La connexion X3 ne porte pas une somme importante et ne sert qu'à activer le signal marche/arrêt vers l'appareil.

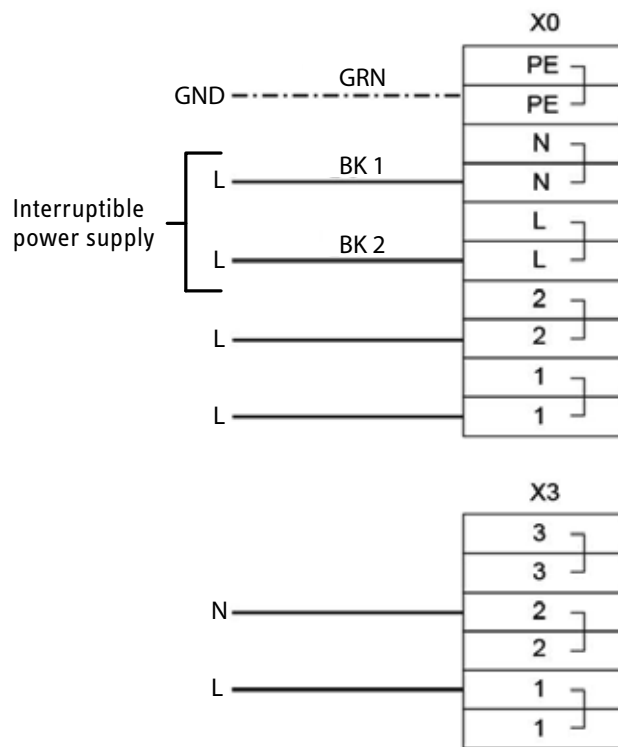
Une fois que ce signal est actif, l'appareil va fonctionner pour satisfaire à la deuxième configuration au lieu de la configuration principale. Voir 5.2.5, « Température programmée 2 », page 13 pour plus de détails.

Une fois le signal externe activé (le signal externe est présent pendant au moins une minute), la température programmée 2 s'active pendant au moins 20 minutes.



11.4.4 Connexion avec raccordement électrique en dehors de heures de pointe et avec un transmetteur de signal externe

L'appareil peut fonctionner en mode alliant le signal externe et la connexion électrique en dehors des heures de pointe. Ce mode exigerait deux bornes de charge sur la borne X0 et le signal sans potentiel sur la borne X3.

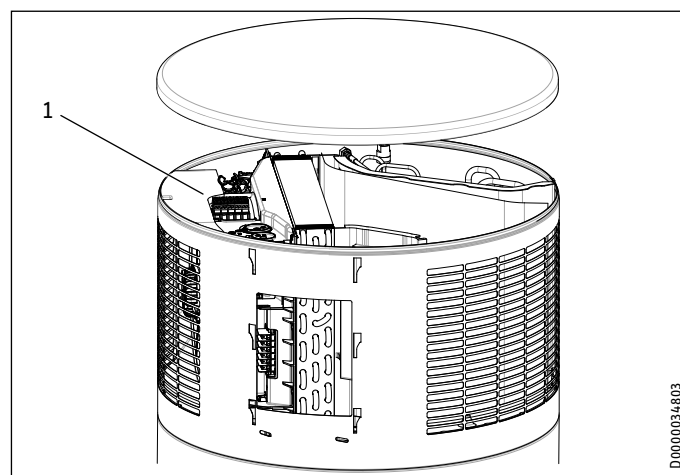


Remarque

► Ne branchez jamais la borne X3/1 à un câble.

11.4.5 Connexion à la borne bloc X0

► Retirez le couvercle de l'appareil (Voir 16.1, « Retrait du couvercle de l'appareil. », p. 103)



1 Borne X0

L'appareil est livré précâblé. S'il doit être recâblé, reconnectez le câble en suivant les étapes ci-dessous.

INSTALLATION

Mise en service

- ▶ Préparez les fils pour la connexion à X0 de sorte que chaque fil finissant à X0 est doté d'un embout de câble.
- ▶ Faites passer les fils par le délestage.
- ▶ Connectez les fils à X0 (Voir 11.4.3, « Connexion avec un transmetteur de signal externe », p. 100).

11.5 Assemblage de l'appareil



Remarque

Remplacez le couvercle de l'appareil une fois les travaux terminés. Voir 16.10, « Pose du couvercle de l'appareil. », p. 105

12. Mise en service

12.1 Mise en service



Pertes matérielles

Ne connectez jamais l'appareil à l'alimentation électrique avant que le réservoir d'ECS ne soit plein.



Remarque

Après une coupure de courant, le fonctionnement du compresseur reste bloqué pendant au moins une minute pour permettre au panneau électrique de distribution de se réinitialiser.

Si, ensuite, le compresseur ne démarre pas, il est possible qu'il soit bloqué par d'autres dispositifs de sécurité (coupe-circuit Klixon et pressostat haute pression) Cette interruption causée par le Klixon du moteur du compresseur est annulée automatiquement.

Si le pressostat haute pression se déclenche, il peut être réenclenché manuellement une fois que la pression passe au-dessous de 17 bar (246 lb/po²). Cela survient normalement 5 minutes après le déclenchement.

12.1.1 Remplissage du réservoir d'ECS

Remplissez le réservoir d'ECS et ventilez les tuyauteries en procédant comme suit :

- ▶ Fermez le robinet de purge.
- ▶ Ouvrez tous les robinets d'ECS et la valve d'isolement dans l'alimentation d'eau froide.
- ▶ Fermez les robinets d'ECS au fur et à mesure que l'eau commence à sortir.

12.1.2 Réglages / Vérification du fonctionnement

- ▶ Pour vérifier le fonctionnement, sélectionnez la température programmée maximale.

Une température programmée supérieure permet d'obtenir d'avantage d'eau mitigée, mais offre une efficacité énergétique inférieure. Une température programmée inférieure offre une meilleure efficacité énergétique, mais moins d'eau mitigée est disponible. Ne baissez jamais la température programmée à moins de 50 °C (122 °F) pour réduire les problèmes de légionnelle.

12.1.3 Mise en main de l'appareil

- ▶ Expliquez le fonctionnement de l'appareil aux utilisateurs et familiarisez-les avec son fonctionnement.
- ▶ Soulignez les dangers potentiels, notamment le risque d'ébouillantage.
- ▶ Avisez les utilisateurs des facteurs environnements importants et des exigences concernant l'emplacement de l'installation.
- ▶ Informez les utilisateurs que l'eau pourrait s'égoutter de la soupape de sécurité lors du chauffage.
- ▶ Remettez ce mode d'emploi et les directives d'installation aux utilisateurs pour qu'ils les mettent de côté.

12.2 Remise en service

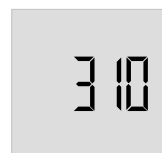
Si l'appareil a été désactivé lors d'une coupure de courant, il est inutile de suivre une procédure particulière pour le redémarrer une fois que le courant revient. L'appareil aura sauvegardé les derniers paramètres programmés et continue à fonctionner en les respectant.

Si la fonction de chauffage de confort était active avant la coupure de courant, elle est réactivée avec une fois que le courant est rétabli.

13. Réglages

■ Mesure de service

Accéder au menu de service par le biais de la saisie de code



Appuyez sur la touche « menu » pendant plus de trois secondes. Le numéro de la version du logiciel du circuit imprimé du régulateur s'affiche.

Affichage	Numéro de la version
310	3.1.00



Pour afficher le numéro de la version du logiciel du circuit imprimé d'une unité de programmation, enfoncez la touche « Plus ».

Affichage	Numéro de la version
-130	1.3.00



Pour aller à la saisie du code, appuyez sur la touche « moins ».


Pour aller directement du numéro de la version du logiciel du circuit imprimé du régulateur à la saisie de code, appuyez sur la touche « moins ».




Pour aller à la lecture des chiffres du code, appuyez sur la touche « chauffage rapide ». Le chiffre actif à l'instant est clignotant.

INSTALLATION

Désactivation

 Entrez le premier chiffre en utilisant les touches « plus » et « moins ».



 Pour passer au chiffre suivant, appuyez sur la touche « chauffage rapide ».

Pour confirmer le code après avoir saisi tous les chiffres, appuyez sur la touche « chauffage rapide ».

Mesure de service

- Décalage du capteur intégral
- Réglage du volume du cylindre
- Blocage du compresseur à cause d'une défaillance de l'évaporateur
- Effacer un blocage pour haute pression
- Effacer un blocage pour basse pression
- Température des ailettes de l'évaporateur
- Nombre de défaillances de dégivrage
- Nombre de déclenchements de basse pression
- Nombre de déclenchement de haute pression
- Remplacement du capteur intégral
- Réglage de la limite des valeurs

Les paramètres de ce menu sont réservés aux techniciens qualifiés.

14. Désactivation



Pertes matérielles

Si l'appareil est déconnecté de l'alimentation électrique, il n'est plus protégé contre le gel.

- ▶ Ne déconnectez l'appareil de l'alimentation électrique pendant de longues périodes que si vous purgez également votre réservoir d'ECS.

Si vous n'allez pas utiliser d'eau chaude pendant une longue période, purgez toujours votre réservoir d'ECS. Voir 16.4, « Purge du réservoir », p. 104.

Le chauffe-eau ne peut être désactivé qu'en coupant l'alimentation électrique.

- ▶ Sortez la fiche de la prise ou déconnectez le disjoncteur de l'appareil.

15. Dépannage



AVERTISSEMENT Risque d'électrocution
Coupez l'alimentation électrique avant de commencer les travaux sur l'appareil.

- ▶ Pour les travaux à l'intérieur de l'appareil, retirez le couvercle de l'appareil (Voir 16.1, « Retrait du couvercle de l'appareil », p. 103).
- ▶ Retirez, si nécessaire la partie supérieure de l'enveloppe (Voir 16.2, « Retrait du collier de l'enveloppe », p. 103).



Remarque

Remplacez l'enveloppe une fois les travaux terminés. Voir 16.9, « Pose du collier de l'enveloppe », p. 105.



Remarque

Remplacez le couvercle de l'appareil une fois les travaux terminés. Voir 16.10, « Pose du couvercle de l'appareil », p. 105.

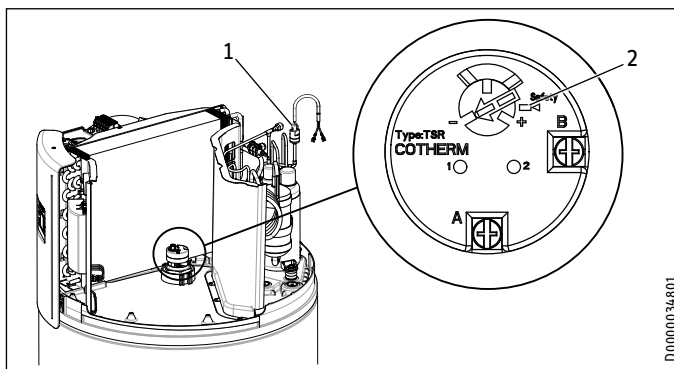
15.1 Tableau des défaillances

Défaillance	Cause	Solution
L'appareil s'arrête de manière imprévue et ne se remet pas en marche.	Pression excessive dans le circuit du frigorigène. Le limiteur de pression de sécurité s'est déclenché. Le compresseur est désactivé.	Éliminez l'origine du surcroît de pression dans le circuit du frigorigène. Patientez environ 5 à 15 minutes le temps que l'appareil équilibre la pression. Remettez le limiteur de pression de sécurité (Voir 15.2, « Réenclenchement du limiteur de pression de sécurité », p. 102).
L'appareil fonctionne en dehors de la limite de fonctionnement. La température ambiante est plus élevée que la température autorisée. Le limiteur de pression de sécurité s'est déclenché.	L'appareil fonctionne en dehors de la limite de fonctionnement. La température ambiante est plus élevée que la température autorisée. Le limiteur de pression de sécurité s'est déclenché.	Veillez à respecter la limite de fonctionnement. Patientez environ 5 à 15 minutes le temps que l'appareil équilibre la pression. Remettez le limiteur de pression de sécurité (Voir 15.2, « Réenclenchement du limiteur de pression de sécurité », p. 102).
Le compresseur se désactive de manière imprévue.	La charge thermique du compresseur a été dépassée. Le relais de surcharge thermique du moteur s'est déclenché.	Remédiez à la cause de ce surcroît de charge thermique. Attendez que l'appareil se remette en marche.
L'appareil produit moins de chaleur.	Il est possible qu'un débit d'air insuffisant passe au-dessus de l'évaporateur en soit la cause.	Vérifiez que le ventilateur n'est pas contaminé. Vérifiez que l'évaporateur n'est pas contaminé. Veillez à ce que l'arrivée et l'évacuation de l'air ne soient pas obstruées.

Pour une explication des codes de défaillances, Voir 7.1, « Code de défaillance », p. 91

15.2 Réenclenchement du limiteur de pression de sécurité

Le limiteur de haute pression de sécurité désactive le compresseur si la pression à l'intérieur du circuit du frigorigène dépasse la valeur maximale autorisée. Le limiteur de pression de sécurité peut également se déclencher si l'appareil fonctionne au-delà de sa limite d'application autorisée ou si la commande de température de la thermopompe ne s'est pas déclenchée.



- 1 Bouton de réenclenchement pour le limiteur de pression de sécurité
- 2 Bouton de réenclenchement pour l'interrupteur de sécurité de limite supérieure

INSTALLATION

Entretien et nettoyage

- Une fois que l'origine de la défaillance a été éliminée, réenclenchez le limiteur de pression de sécurité en appuyant sur le bouton de réenclenchement.

15.3 Réenclenchement de l'interrupteur de sécurité de limite supérieure

L'interrupteur de sécurité de limite supérieure protège l'appareil de la surchauffe. L'élément électrique auxiliaire se désactive lorsque la température du réservoir d'eau dépasse $87\pm 5^\circ\text{C}$ ($189\pm 10^\circ\text{F}$).

Une fois que la cause de la défaillance a été éliminée, appuyez sur le bouton de réenclenchement de l'interrupteur de sécurité de limite supérieure sur le thermostat à canne. Pour cela, retirez le couvercle de l'appareil.

15.4 Relais de surcharge thermique du moteur

En cas de charge thermique excessive du compresseur, le relais de surcharge thermique du moteur désactive le compresseur.

- Éliminez la cause.

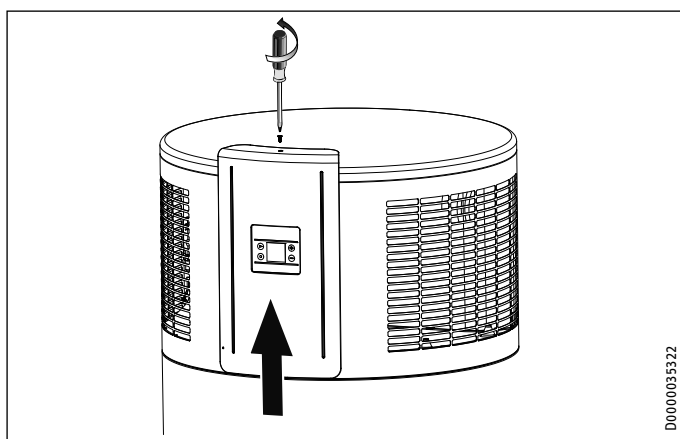
Après une courte période de refroidissement, le relais de surcharge thermique du moteur redémarrera automatiquement le compresseur.

16. Entretien et nettoyage

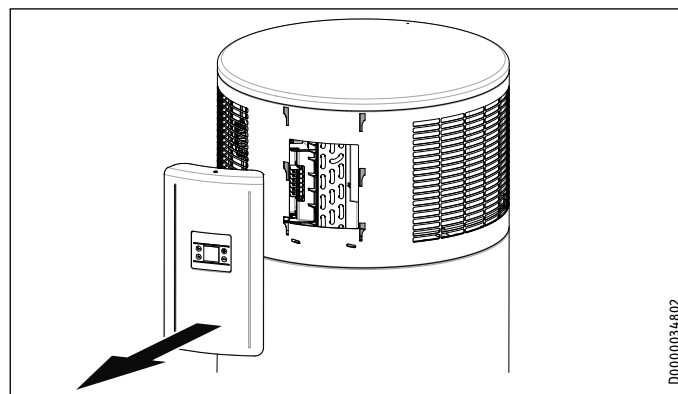


AVERTISSEMENT Électrocution
Coupez l'alimentation électrique avant de commencer les travaux sur l'appareil.

16.1 Retrait du couvercle de l'appareil.



- Dévissez la vis (Torx) qui fixe le panneau de commande et le couvercle de l'appareil à l'appareil.
- Poussez le panneau de commande vers le haut.



- Retirez le panneau de commande.
- Un fil connecte les commandes à la carte de commande électronique de l'appareil. Sortez, si nécessaire, la fiche à l'arrière du panneau de commande pour retirer complètement le panneau de commande.
- Soulevez délicatement le couvercle de l'appareil et démontez le fil de terre qui va du panneau de commande de l'appareil au couvercle.



Remarque

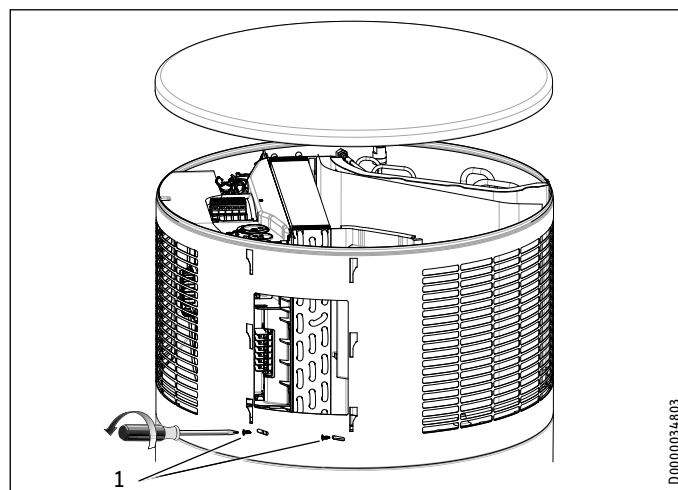
Remplacez le couvercle de l'appareil une fois les travaux terminés. Voir 16.10, « Pose du couvercle de l'appareil. », p. 105.

16.2 Retrait du collier de l'enveloppe



Remarque

Si vous avez besoin de plus de place pour travailler à l'intérieur de l'appareil, vous pouvez retirer l'enveloppe dans la section supérieure de l'appareil.



- 1 Fixer les vis sur le collier de l'enveloppe

Le collier de l'enveloppe est fixé à l'aide de vis.

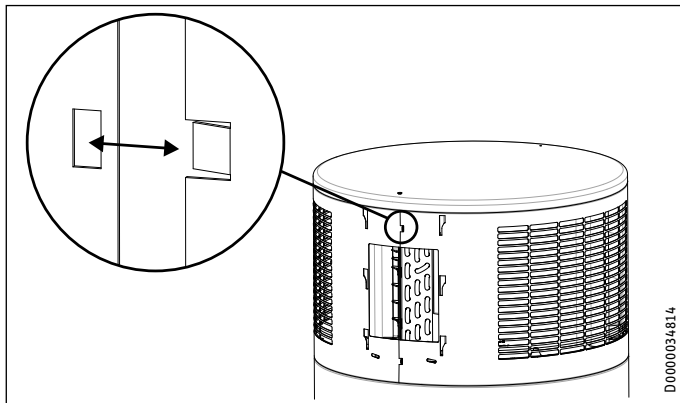
- Dévissez les vis de fixation sur l'enveloppe.
- Retirez le coude du tuyau d'écoulement et le collet de la conduite du drain. Tournez dans le sens antihoraire pour dévisser.
- Si le câble d'alimentation est relâché, tendez-le en introduisant l'excès dans le boîtier.

- ▶ Si nécessaire, retirez les câbles de la plaque à bornes X0 de manière à pouvoir mettre de côté l'enveloppe circulaire.



Pertes matérielles

Un câble de terre est connecté à l'intérieur du collier de l'enveloppe. L'enveloppe ne peut être retirée que lorsque le câble de terre a été détaché.



Le collier de l'enveloppe chevauche le long du joint. Une languette sur l'une des extrémités se pince sur le cran de l'autre extrémité du collier de l'enveloppe.

- ▶ Séparez délicatement le collier de l'enveloppe jusqu'à ce qu'il puisse être retiré ou glissé vers le bas.



Remarque

Remplacez l'enveloppe une fois les travaux terminés. Voir 16.9, « Pose du collier de l'enveloppe », p. 105.

16.3 Nettoyage de l'évaporateur



AVERTISSEMENT Blessure

L'évaporateur est constitué de nombreuses ailettes au rebord coupant. Faites attention lors du nettoyage de l'évaporateur et portez des vêtements de protection, notamment des gants de protection.

Les ailettes de l'évaporateur sont recouvertes d'un enduit hydrophile pour réduire la corrosion et pour éliminer la tension en surface sur les gouttelettes d'eau condensée. Cela produit un auto-nettoyage qui rend la nécessité de nettoyage minimale. Il faut, malgré tout, vérifier que l'évaporateur ne présente aucune trace de contamination, ni de corrosion. Nettoyez-le le cas échéant.

Dévissez la vis qui fixe le couvercle de l'appareil au côté supérieur du panneau de commande.

- ▶ Retirez le panneau de commande et le couvercle de l'appareil.
- ▶ Nettoyez délicatement les ailettes de l'évaporateur. Pour cela, utilisez de l'eau et une brosse douce. N'utilisez jamais de produits nettoyants alcalins ou acides.

16.4 Purge du réservoir



AVERTISSEMENT Brûlures

Il est possible qu'il y ait une fuite d'eau chaude lorsque vous purgez le réservoir d'ECS.

Pour purger le réservoir d'ECS, par exemple lorsque vous désactivez l'appareil, veuillez procéder comme suit :

- ▶ Débranchez l'appareil de l'alimentation électrique.
- ▶ Coupez la vanne d'isolement de la conduite d'eau froide.

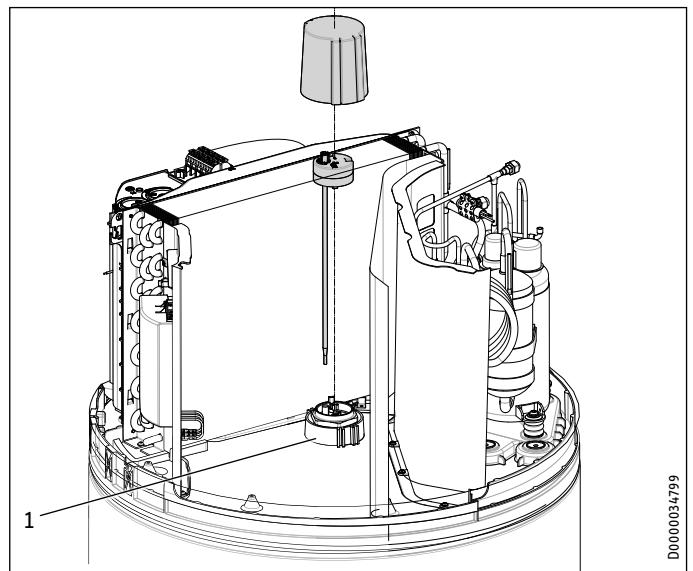
Le réservoir d'ECS se vide par le biais de la conduite d'alimentation d'eau froide.

- ▶ Ouvrez le robinet de purge installé dans la conduite d'alimentation d'eau froide (Voir 11.1, « Raccordements d'eau », p. 97). S'il n'y a pas de robinet de purge, déconnectez la conduite d'alimentation d'eau froide au niveau du raccord d'admission d'eau froide.
- ▶ Ouvrez un robinet dans un évier.

Il restera un peu d'eau au fond du réservoir d'ECS.

16.5 Détartrage de l'élément électrique auxiliaire

Ne détartrez la bride de l'élément électrique auxiliaire qu'après l'avoir déposée et ne traitez jamais ni l'intérieur du réservoir d'ECS, ni l'anode de courant imposé à l'aide de produits détartants. L'élément électrique auxiliaire est vissé dans l'appareil au milieu, en haut.



- 1 Élément électrique auxiliaire avec l'anode protectrice

16.6 Anode protectrice

La bride de l'élément électrique auxiliaire est dotée d'une anode protectrice qui protège l'appareil de la corrosion tant qu'il est connecté à l'alimentation électrique. L'anode protectrice est une anode à courant imposant qui n'exige aucun entretien.

Si un code de défaillance est affiché et indique que l'anode protectrice est défectueuse, procédez comme suit :

- ▶ Retirez le contrôleur de l'élément électrique auxiliaire.
- ▶ Inspectez le connecteur de l'anode protectrice et ses fils.

- ▶ Remettez le contrôleur de l'élément électrique auxiliaire.

16.7 Soupapes

Inspectez les soupapes du système à intervalles réguliers (soupape de sécurité, robinet de pression, robinet de purge, brise-vide, mitigeur), pour assurer la fiabilité du fonctionnement de l'appareil. La quantité de dépôts de tartre dépend de la teneur en calcaire de l'eau.

- ▶ Inspectez toutes les soupapes du système et retirez les dépôts de tartre.
- ▶ Remplacez les soupapes le cas échéant.
- ▶ Vérifiez le fonctionnement des soupapes.

16.8 Remplacer le câble électrique



AVERTISSEMENT Électrocution

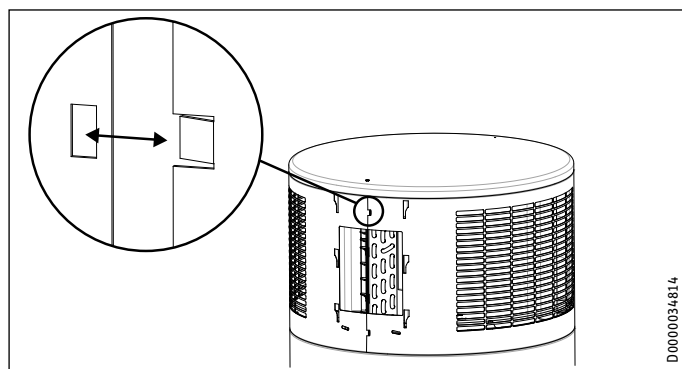
Si le câble électrique est défectueux, remplacez-le avec un nouveau câble. Il ne peut être remplacé que par un entrepreneur spécialisé. Se il vous plaît communiquer avec Stiebel Eltron au 800.582.8423 pièces de rechange.

16.9 Pose du collier de l'enveloppe



AVERTISSEMENT Électrocution

- ▶ Reconnectez le câble de terre au collier de l'enveloppe.



- ▶ Posez le collier de l'enveloppe supérieure. Le collier de l'enveloppe chevauche le long du joint. Une languette sur l'une des extrémités se pince sur le cran de l'autre extrémité du collier de l'enveloppe.
- ▶ Fixez le collier de l'enveloppe avec les vis.
- ▶ Posez le collet de la conduite du tuyau d'écoulement et le coude du tuyau d'écoulement.

16.10 Pose du couvercle de l'appareil.



AVERTISSEMENT Électrocution

- ▶ Reconnectez le câble de terre au couvercle de l'appareil.

- ▶ Remettez le couvercle sur le dessus de l'appareil.
- ▶ Connectez le câble de terre à la borne de mise à la terre indiquée.
- ▶ Connectez le câble reliant la commande avec la carte de commande électronique à l'arrière du panneau.
- ▶ Insérez le panneau de commande.
- ▶ Fixez le couvercle de l'appareil et le panneau de commande à l'aide de la vis sur la partie supérieure du panneau de commande.

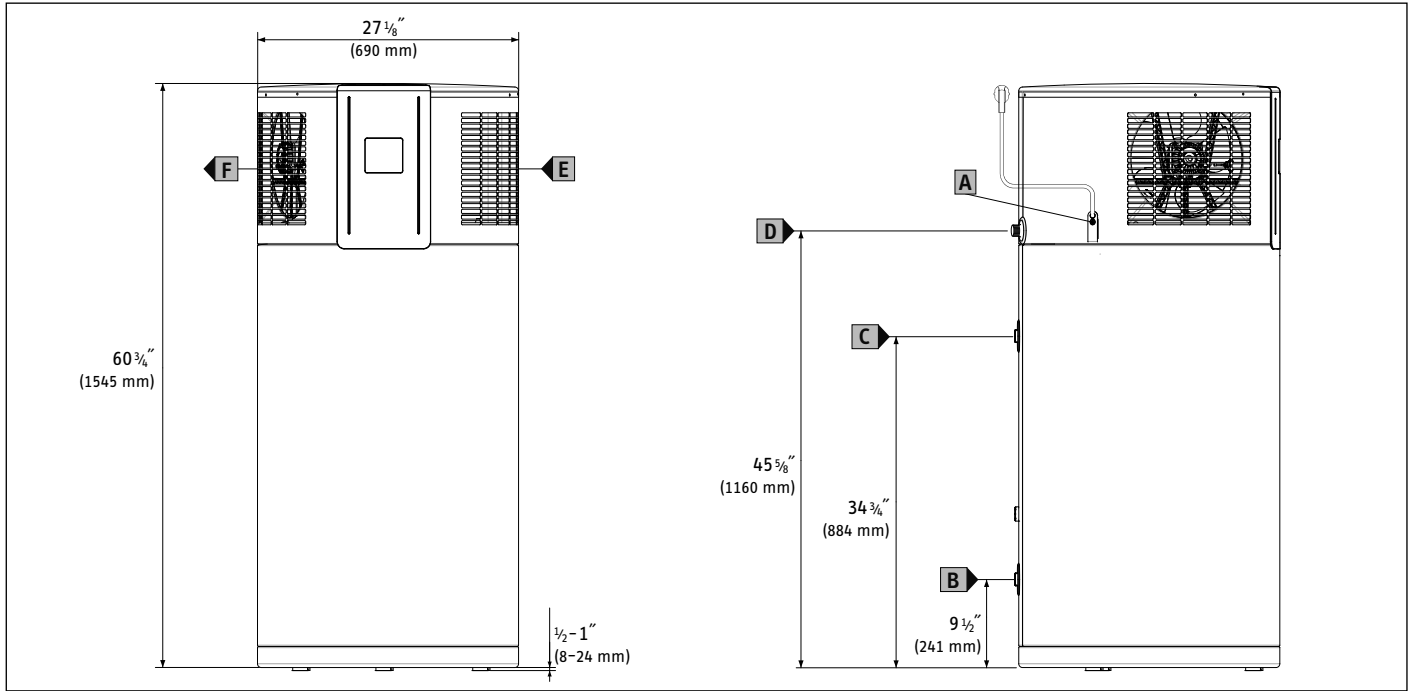
INSTALLATION

Spécification

17. Spécification

17.1 Dimensions et connexions

17.1.1 Accelera® 220 E

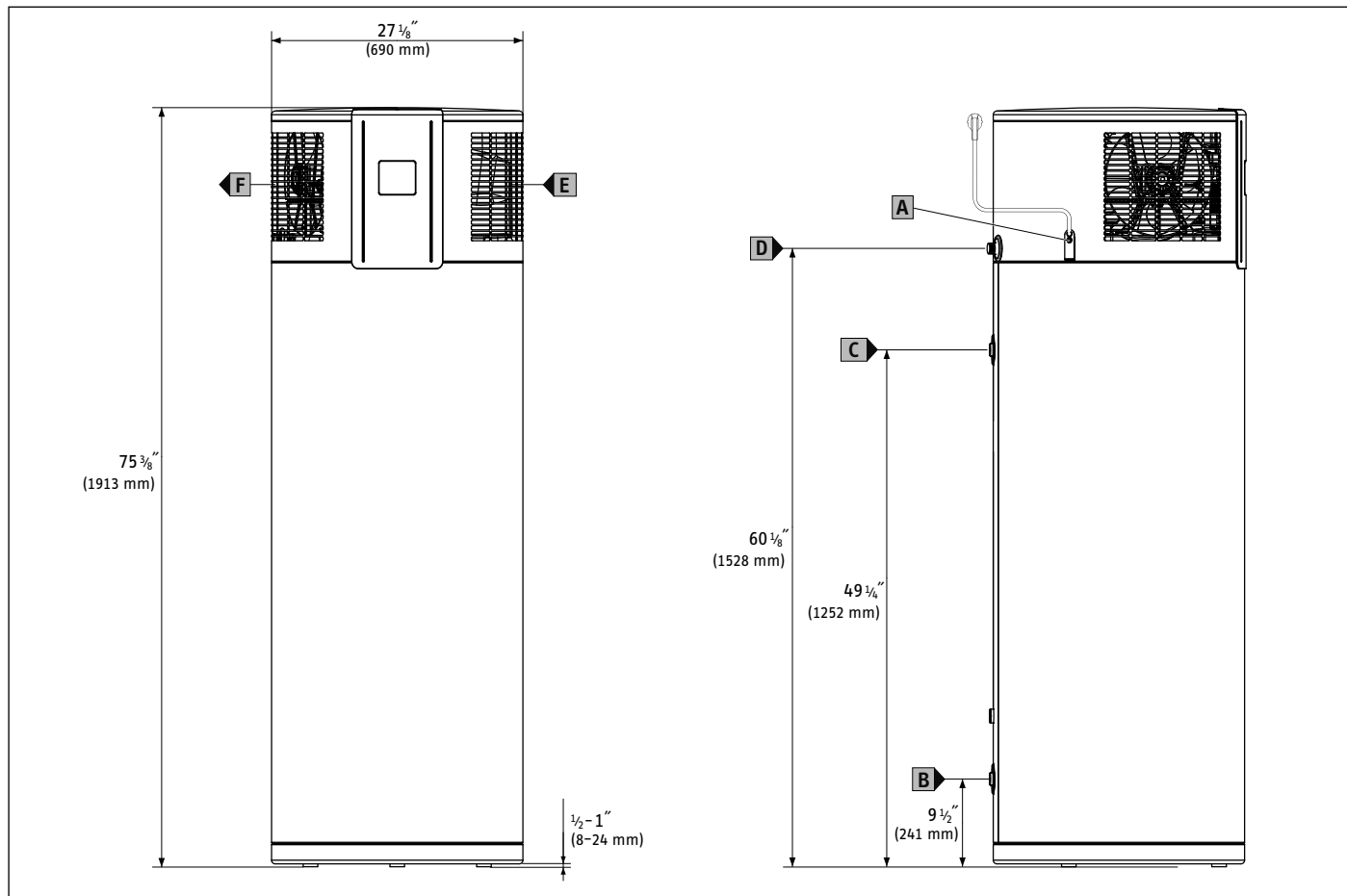


Accelera® 220 E		
A	Admission des câbles électriques	
B	Admission d'eau froide	Filet mâle
C	Sortie de l'ECS	Filet mâle
D	Tuyau d'écoulement	Filet mâle
E	Admission d'air	
F	Évacuation d'air	
		1 po filetage NPT
		1 po filetage NPT
		3/4 po filetage R à 1/2 po coude barbelé

INSTALLATION

Spécification

17.1.2 Accelera® 300 E



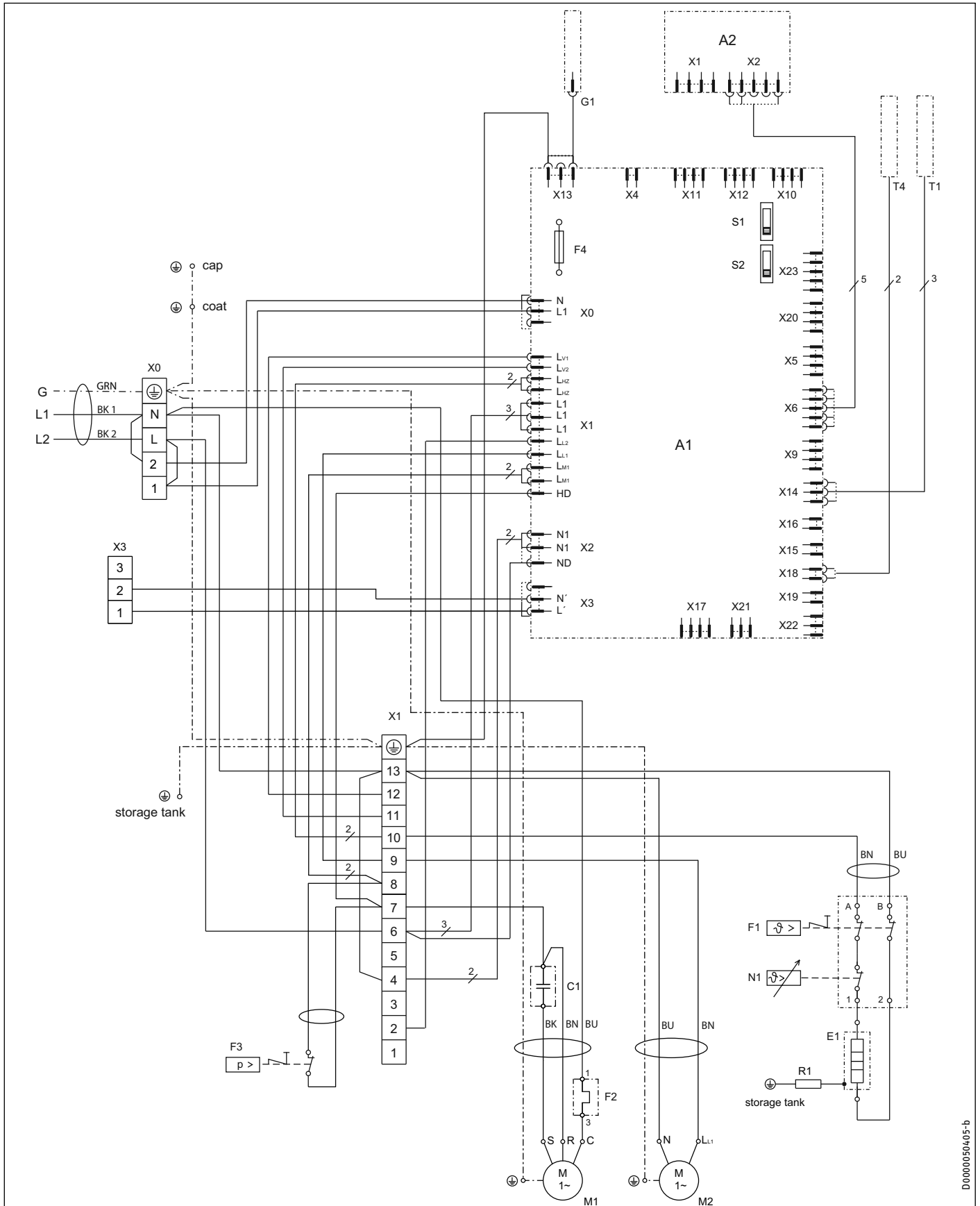
FRANÇAIS

Accelera® 300 E		
A	Admission des câbles électriques	
B	Admission d'eau froide	Filet mâle
C	Sortie de l'ECS	Filet mâle
D	Tuyau d'écoulement	Filet mâle
E	Admission d'air	
F	Évacuation d'air	
		1 po filetage NPT
		1 po filetage NPT
		$\frac{3}{4}$ po filetage NPT à $\frac{1}{2}$ po coude barbelé

INSTALLATION

Spécification

17.2 Schéma de câblage



D0000050405-b

INSTALLATION

Spécification

A1	Assemblage électronique, unité de commande	M2	Ventilateur
A2	Assemblage électronique, unité de programmation	N1	Thermostat TSR, 65 °C ±5 (149 °F ±8)
C1	Capaciteur	R1	Résistance 380 Ohms
E1	Élément chauffant, 1,5 kW	S1	Interrupteur DIP, mode de fonctionnement
F1	Interrupteur de sécurité de limite supérieure TSR, 87 °C ±5 (189 °F ±8)	S2	Interrupteur DIP
F2	Relais de surcharge thermique du moteur M1	T1	Capteur, dôme/intégré
F3	Pressostat haute pression, 24 bars (348 lb/po ²)	T4	Capteur, évaporateur
F4	Fusible	X0	Borne électrique
G1	Anode à courant imposé	X1	Bornes internes
M1	Compresseur	X3	Borne
		Storage tank	Réservoir
		Cap	Couvercle
		Outer jacket	Enveloppe



Pertes matérielles

Si X0/2 est connecté, l'alimentation électrique de l'appareil doit être une connexion permanente (Voir 11.4.3, « Connexion avec un transmetteur de signal externe », p. 100). N'échangez jamais L1 et N.



Remarque

► Ne branchez jamais la borne X0/1 à un câble.

17.3 Tableau de données

	Accelera® 220 E	Accelera® 300 E
	233058	233059
Hydrauliques		
Capacité nominale	220 l (58 gal)	302 l (79.8 gal)
Restrictions de la mise en œuvre		
Température d'ECS maximale	65 °C (149 °F)	
Limites d'application maximale et minimale de la source de chaleur	6 à 42 °C (42 à 108 °F)	
Distance minimale devant la grille d'admission & d'évacuation d'air	400 mm (15 3/4 po)	
Distance minimale au-dessus de l'appareil	350 mm (13 3/4 po)	
Surface au sol minimale de la pièce d'installation	6 m ² (64,6 pi ²)	
Volume minimal de la pièce d'installation	13 m ³ (800 pi ³)	
Pression d'exploitation maximale autorisée, eau froide / ECS	0,8 MPa (116 lb/po ²)	
Conductivité de l'eau potable min./max.	100 à 1500 µS/cm	
Détails de rendement conformes à la norme EN 16147		
Température d'ECS nominale	55 à 65 °C (131 à 149 °F)	
Quantité maximale disponible d'ECS à 40 °C (104 °F)	347 l (91,7 gal)	412 l (108,9 gal)
Temps de chauffage, température ambiante de l'air : 15 °C (59 °F)	8,7 h	8,83 h
Temps de chauffage, température ambiante de l'air : 7 °C (44 °F)	11,99 h	12,52 h
Consommation d'énergie, en attente [Norme EN 16147 / A15]	0,051 kW (174 Btu/h)	0,028 kW (96 Btu/h)
Consommation d'énergie, en attente [Norme EN 16147 / A7]	0,062 kW (212 Btu/h)	0,040 kW (136 Btu/h)
Puissance de chauffe		
Puissance de chauffe moyenne [Norme EN 16147 / A15]	1,62 kW (5528 Btu/h)	1,64 kW (5596 Btu/h)
Puissance de chauffe moyenne [Norme EN 16147 / A7]	1,17 kW (3992 Btu/h)	1,28 kW (4368 Btu/h)
Consommation d'énergie		
Consommation d'énergie moyenne de la thermopompe avec l'air à 15 °C (59 °F)	0,55 kW (1877 Btu/h)	0,60 kW (2047 Btu/h)
Consommation d'énergie moyenne de la thermopompe avec l'air à 7 °C (44 °F)	0,53 kW (1808 Btu/h)	0,53 kW (1808 Btu/h)
Consommation d'énergie maximale de la thermopompe (à l'exclusion du démarrage)	0,65 kW (2216 Btu/h)	0,65 kW (2216 Btu/h)
Consommation d'énergie, élément auxiliaire	1,50 kW (5115 Btu/h)	1,50 kW (5115 Btu/h)
Consommation d'énergie maximale Thermopompe + élément auxiliaire	2,15 kW (7331 Btu/h)	2,15 kW (7331 Btu/h)
Energy Star		
Facteur énergétique	3,05	3,39
Indice de première heure	190,4 l (50,3 gal)	284,3 l (75,1 gal)
D.O.E. consommation d'énergie annuelle estimée	1406 kWh/an	1289 kWh/an

INSTALLATION

Spécification

	Accelera® 220 E	Accelera® 300 E
Électricité		
Configuration électrique	L1,L2,G / 220 à 240 V / 60/50 Hz	
Courant d'exploitation maximum	8,54 A	
Courant de démarrage maximum	23,44 A	
Disjoncteur requis	15 A, Type C	
Bruit*		
Niveau sonore (Norme EN 12102)	60 dB(A)	
Niveau de pression acoustique à 1 m (3,3 pi)	52 dB(A)	
Versions		
Classe de protection IP	IP24	
Frigorigène	R134a	
Capacité de frigorigène	0,85 kg (1,9 lb)	0,9 kg (2,0 lb)
Potentiel d'effet de serre mondial du réfrigérant (GWP100)	1430	
CO ₂ équivalent (CO ₂ e)	1216 t	
Longueur approximative du câble électrique	2000 mm (78 ³ / ₄ po)	
Dimensions		
Hauteur	1545 mm (60 ⁷ / ₈ po)	1913 mm (75 ¹ / ₄ po)
Diamètre	690 mm (27 ¹ / ₈ po)	
Hauteur lorsqu'il est incliné	1692 mm (66 ⁵ / ₈ po)	2034 mm (80 ¹ / ₈ po)
Hauteur lorsqu'il est incliné (emballage compris)	1895 mm (74 ⁵ / ₈ po)	2230 mm (87 ³ / ₄ po)
Dimension de l'emballage (Hauteur x Largeur x Profondeur)	1740 mm (68 ¹ / ₂ po) x 740 mm (29 ¹ / ₈ po) x 740 mm (29 ¹ / ₈ po)	2100 mm (82 ⁵ / ₈ po) x 740 mm (29 ¹ / ₈ po) x 740 mm (29 ¹ / ₈ po)
Poids		
Poids vide	120 kg (264,5 lb)	135 kg (297,6 lb)
Poids rempli	339,5 kg (748,5 lb)	433,9 kg (956,6 lb)
Valeurs		
Perte de chaleur latente par heure	21 W (70,4 Btu/hr)	25 W (87 Btu/hr)
Type d'anode	Anode à courant imposé	
Débit d'air	550 m ³ /h (324 pi ³ /min)	

Les détails de rendement font référence aux nouveaux appareils avec des échangeurs de chaleur propres. Données nominales conformes à la norme EN 16147 / Thermopompe pour air recyclé.

* Niveau de puissance acoustique mesure l'énergie sonore émise par une source. Niveau de pression acoustique (SPL) mesure le niveau sonore (volume) à une distance de la source. SPL varie en fonction de l'environnement acoustique et la précision du dispositif de mesure.

18. Garantie

GARANTIE LIMITÉE

Sous réserve du respect des termes et conditions définis dans la présente garantie à vie limitée, Stiebel Eltron, Inc. (ci-après, le Fabricant) garantit à l'acheteur d'origine (ci-après le Propriétaire) que tous les chauffe-eau (ci-après le Chauffe-eau) seront exempts de tout vice de fabrication et de matériel de la part du fabricant pendant une période de :

1. (10 ans) à partir de la date d'achat pour les installations résidentielles pour une famille
2. (1 an) à partir de la date d'achat pour toutes les autres installations
3. (à l'exclusion) de l'anode électronique ou sacrificielle

Le seul et unique recours du Propriétaire dans le cadre de la Garantie susmentionnée sera pour le Propriétaire de soit réparer en usine, soit remplacer le Chauffe-eau défectueux (à la discrétion du Fabricant) avec soit un appareil de rechange, soit une ou des pièces ayant les mêmes caractéristiques d'exploitation. La responsabilité financière maximale du Fabricant ne pourra en aucun cas aller au-delà du prix d'achat du réservoir.

Cette Garantie limitée représente la seule garantie accordée par le Fabricant et annule toute les autres garanties, orales ou écrites, expresses ou implicites, y compris, mais sans y être limitées les garanties de qualité marchande ou d'aptitude à un usage particulier. Le Fabricant rejette toute responsabilité pour les dommages ou frais indirects, consécutifs ou autres résultant directement ou indirectement de tout vice présent dans le Chauffe-eau ou survenu lors de l'usage du Chauffe-eau. Le Fabricant rejette toute responsabilité pour tout dégât des eaux ou tout autre dégât matériel encouru par le Propriétaire, résultant directement ou indirectement de tout vice présent dans le Chauffe-eau ou survenu lors de l'usage du Chauffe-eau. Seul le Fabricant est autorisé à énoncer les garanties au nom du Fabricant et aucune déclaration, garantie ou autre document énoncé par une tierce partie ne saurait engager la responsabilité du Fabricant.

Le Fabricant rejette toute responsabilité pour tout dommage causé par ou en relation avec :

1. toute mauvaise utilisation ou négligence du chauffe-eau, tout accident subi par le chauffe-eau, toute modification du chauffe-eau ou tout autre usage non prévu,
2. les calamités naturelles ou toute autre circonstance sur laquelle le fabricant n'a aucun contrôle,
3. l'installation du chauffe-eau autre que conformément aux directives du fabricant et autre que conformément aux codes de la construction en vigueur,
4. une installation incorrecte ou l'utilisation de matériaux incorrects par un installateur et sans relation avec les vices de fabrication ou de matériel du fabricant,
5. le non-respect des procédures d'entretien du chauffe-eau ou l'utilisation du chauffe-eau non conformes aux directives du fabricant,

6. la défaillance de composants qui n'avaient pas été installés à l'origine par le fabricant dans l'appareil au moment de la vente,
7. l'exposition au gel,
8. l'exposition à des produits chimiques nocifs, à de l'eau contaminée, à des liquides corrosifs ou à une atmosphère corrosive,
9. l'installation du chauffe-eau dans un système fermé sans vase d'expansion thermique correctement installé et aux dimensions adéquates,
10. l'utilisation du chauffe-eau sans l'anode à courant imposé ou l'anode sacrificielle installée en usine,
11. le remplacement de l'élément chauffant électrique par un élément non fabriqué par Stiebel Eltron ou dont la puissance est supérieure à l'élément installé à l'origine,
12. la connexion du chauffe-eau à une tension ou une alimentation incorrecte,
13. l'utilisation du chauffe-eau avec une pression d'eau irrégulière ou excessive ou dans le cas où le chauffe-eau serait alimenté en eau non potable pour toute durée que ce soit,
14. le fonctionnement de l'appareil à vide ou partiellement rempli d'eau potable,
15. l'installation et l'utilisation du chauffe-eau à l'extérieur,
16. l'utilisation du chauffe-eau à des températures supérieures que celles recommandées par le fabricant,
17. la vidange mal faite de l'appareil pendant des coupures de courant durant plus de deux jours,

Si le Propriétaire désire renvoyer le Chauffe-eau au Fabricant pour qu'il soit réparé ou remplacé dans le cadre de cette Garantie, le Propriétaire doit d'abord obtenir l'autorisation écrite du Fabricant. Le Propriétaire doit apporter la preuve d'achat, y compris la date d'achat, et sera responsable de tous les frais de transport et de dépose. Si le Propriétaire ne peut pas apporter la preuve de la date d'achat, cette Garantie sera limitée à la période commençant à la date de fabrication estampée sur le Chauffe-eau. Le Fabricant se réserve le droit de rejeter toute couverture de la Garantie à la suite d'une inspection du Chauffe-eau par le Fabricant. Cette Garantie ne s'applique qu'au propriétaire et ne peut pas être transférée. Certains États et Provinces n'autorisent pas l'exclusion ou la limitation de certaines garanties. Dans ce cas, les limites ci-mentionnées peuvent ne pas s'appliquer au propriétaire. Dans ce cas, la Garantie sera limitée à la période la plus courte et aux dommages et intérêts les plus faibles autorisés par la loi. Cette garantie vous octroie des droits légaux spécifiques. Il est toutefois possible que vous ayez d'autres droits en fonction de votre juridiction. Le Propriétaire sera responsable de tous les frais de main-d'œuvre et autres encourus lors de la dépose ou de la réparation du Chauffe-eau sur le chantier. Veuillez également noter que le Chauffe-eau doit être installé de sorte qu'en cas de fuite, l'eau qui s'écoule doit couler de façon à ne pas endommager l'endroit où il est installé.

Environnement et recyclage

Veuillez nous aider à protéger l'environnement. Veuillez mettre cet appareil et son emballage au rebut conformément à la législation nationale.

KYOTO | R134a

Cet appareil est rempli de frigorigène R134a.

Le frigorigène R134a est un gaz à effet de serre CFC mentionné dans le Protocole de Kyoto avec un potentiel d'effet de serre mondial (GWP100) = 1430.

Cette garantie n'est valide que pour le Canada et les États-Unis. Les garanties varient en fonction du pays. Veuillez vous adresser à votre représentant local Stiebel Eltron pour plus de détails sur la garantie s'appliquant à votre pays.

STIEBEL ELTRON, Inc.
17 West Street | West Hatfield, MA 01088
Tel. 0413 247-3380 | Fax 0413 247-3369
info@stiebel-eltron-usa.com
www.stiebel-eltron-usa.com



Due to our continuous process of engineering and technological advancement, specifications may change without notice.

Stand 8643

STIEBEL ELTRON

A 312097-41220-9447