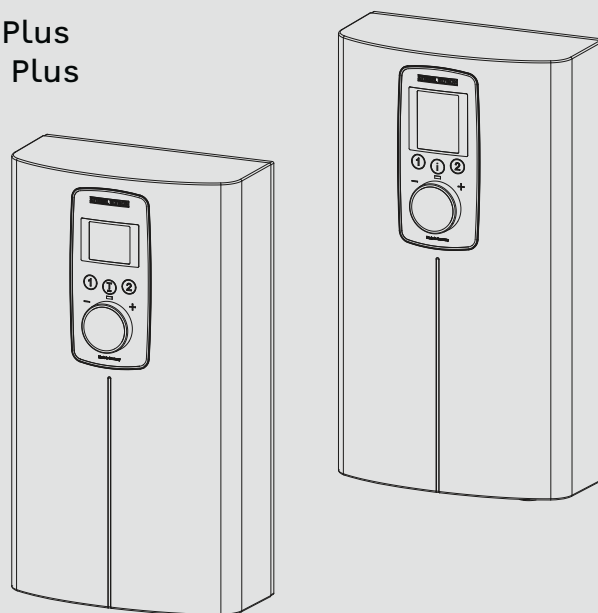


OPERATION AND INSTALLATION FUNCIONAMIENTO E INSTALACIÓN UTILISATION ET INSTALLATION

Electronically Controlled Electric Tankless Water Heaters
Calentadores de Agua Electrónicos sin Tanque
Chauffe-eau Électriques sans Réservoir à Commande Électronique

- » DHC-E 3/3.5-1 Trend
- » DHC-E 4/6-2 Trend
- » DHC-E 8/10-2 Trend
- » DHC-E 12/15-2 Trend
- » DHC-E 8/10-2 Plus
- » DHC-E 12/15-2 Plus



Conforms to UL Std. 499
Certified to CAN/CSA Std. C22.2 No. 64

Conforme a UL Std. 499
Certificación CAN/CSA Std. C22.2 No.64

Conforme à la norme UL Std. 499
Certifié à la norme CAN/CSA Std. C22.2 No.64



Tested and certified by WQA to NSF/ANSI/CAN 372
for lead free compliance.

Probado y certificado por WQA NSF/ANSI/CAN 372
para el cumplimiento de las regulaciones sin plomo.

Testé et certifié par WQA à la NSF/ANSI/CAN 372
pour une utilisation sans plomb.

STIEBEL ELTRON

CONTENTS

QUICK START GUIDE

SPECIAL INFORMATION

OPERATION

1. General information	5
1.1 Safety instructions	5
1.2 Other symbols in this documentation	5
1.3 Units of measurement	5
2. Safety	5
2.1 Intended use	5
2.2 General safety instructions	5
2.3 Test symbols	6
2.4 Licenses / certificates	6
3. Register your product	6
4. Water heater description	7
5. Settings and displays	7
5.1 DHC-E Trend user interface	7
5.2 DHC-E Plus user interface	8
5.3 Using the display menus	8
5.4 DHC-E Trend display	8
5.5 DHC-E Plus display	10
5.6 Temperature preset options	12
5.7 Error menu	13
5.8 Returning to the base display	13
5.9 Recommended settings	13
6. Cleaning, care and maintenance	13
7. Troubleshooting	14

INSTALLATION

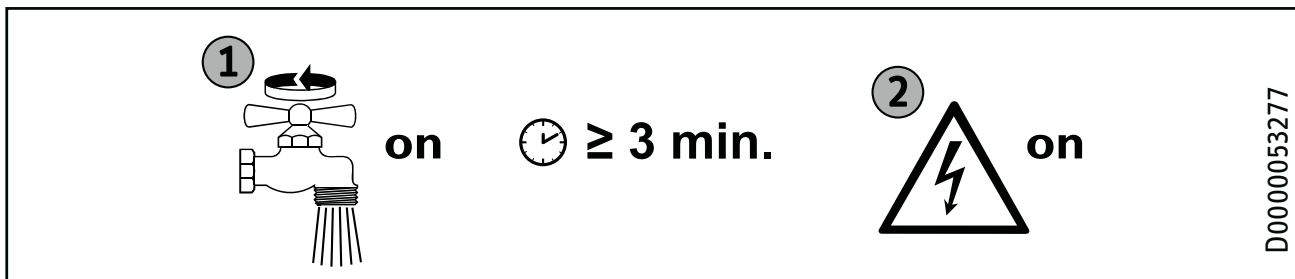
8. Safety	14
8.1 General safety instructions	14
8.2 Instructions, standards and regulations	14
9. Water heater description	14
9.1 Standard delivery	14
10. Preparation	15
10.1 Installation site	15
10.2 Minimum clearances	15
11. Installation	15
11.1 Standard wall-mounted installation	15
11.2 Water connections	16
11.3 Aerator installation at connected faucet	17
11.4 Electrical connection	17
11.5 Electrical connection with short power cable	18
11.6 Wiring block	18
12. Commissioning	18
12.1 Internal anti-scalding protection via jumper slot	18
12.2 Changing power output via jumper slot	19
12.3 Initial start-up	19
12.4 Operation with preheated water	20
12.5 Recommissioning	20

13. Water heater shutdown	20
14. Service information	20
15. Maintenance	21
15.1 Draining the water heater	21
15.2 Cleaning the filter screen	21
16. Troubleshooting	22
17. Specification	23
17.1 Dimensions and connections	23
17.2 Wiring diagrams	23
17.3 Hot water output	24
17.4 Application areas/conversion table	24
17.5 Fault conditions	24
17.6 Data tables	25
18. Spare parts	27
19. Warranty	28

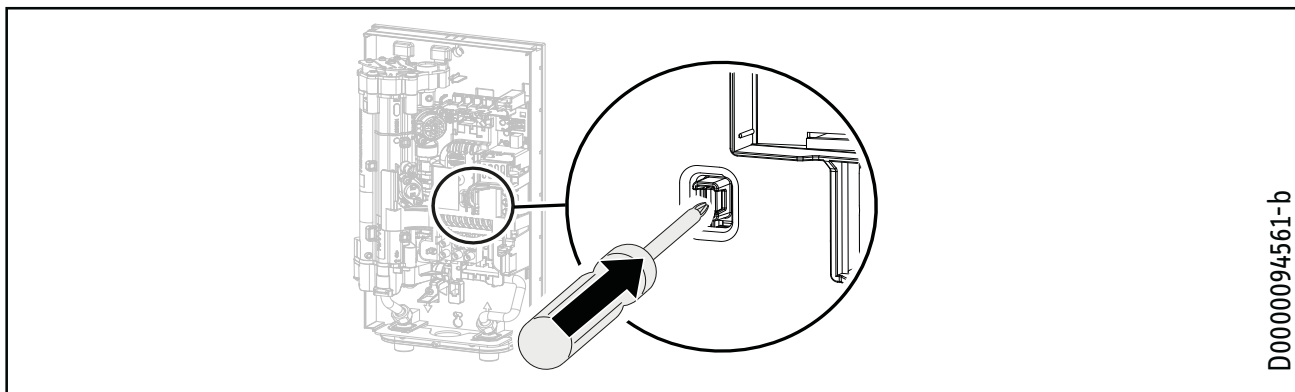
QUICK START GUIDE

Before turning on power to the water heater, you **MUST flush all air out of the system, then engage the AE3 safety switch. The unit will **NOT** operate until the AE3 safety switch has been engaged.**

- 1** Mount the unit to the wall (see section 11.1, “Standard wall-mounted installation”, pg. 15).
- 2** Hook up water connections (see section 11.2, “Water connections”, pg. 16).
- 3** Hook up electrical connections, but keep circuit breaker off. (See section 11.4, “Electrical connection”, pg. 17)



- 4** Open and close all connected draw-off valves at least 5 times, for at least 3 minutes total, until all air has been purged from the pipework and the water heater.
- 5** Ensure there are no water leaks from any plumbing connections.



- 6** Engage the AE3 safety switch by firmly pressing the white reset button until it clicks and fully locks in place (the water heater is delivered with the safety switch disengaged).
- 7** Turn on power to the water heater at the circuit breaker in the breaker panel.

SPECIAL INFORMATION

- Read this entire manual. Failure to follow all the guides, instructions and rules could cause personal injury or property damage. Improper installation, adjustment, alteration, service and use of this unit can result in serious injury.
- This unit must be installed by a licensed electrician and plumber. The installation must comply with all national, state and local plumbing and electric codes. Proper installation is the responsibility of the installer. Failure to comply with the installation and operating instructions or improper use voids the warranty.
- Save these instructions for future reference. The installer should leave these instructions with the consumer.
- If you have any questions regarding the installation, use or operation of this water heater, or if you need any additional installation manuals, please call our technical service line at 800.582.8423 (USA and Canada only). If you are calling from outside the USA or Canada, please call USA 413.247.3380 and we will refer you to a qualified Stiebel Eltron service representative in your area.
- The water heater is suitable for supplying a shower in many climates (shower operation). If the water heater is also or exclusively used for shower operation, the qualified contractor must adjust the temperature setting range to 122 °F (50 °C) or less using the internal anti-scalding protection on the water heater. When using preheated water, it must be ensured that the inlet temperature does not exceed 131 °F (55 °C).
- Ensure the water heater can be separated from the power supply by a circuit breaker that disconnects all poles with at least 1/8" (3 mm) contact separation.
- The specified voltage must match the power supply. See the type plate on the right-hand side of the water heater for full information.
- CAUTION: DO NOT INSTALL IN A BATH ENCLOSURE OR SHOWER STALL.
DO NOT CONNECT TO A SALT-REGENERATED WATER SOFTENER OR A SALT-WATER WATER SUPPLY.
FOR USE ON AN INDIVIDUAL BRANCH CIRCUIT ONLY.
CAUTION: CONNECT ONLY TO A CIRCUIT PROTECTED BY A CLASS A GROUND FAULT INTERRUPTER
USE BONDING CONDUCTOR IN ACCORDANCE WITH THE CANADIAN ELECTRICAL CODE, PART I
- The water heater must be properly grounded. See section 17.2, "Wiring diagrams," pg. 23.
- The water heater must be permanently connected to fixed wiring. For use on an individual branch circuit only. See section 17.2, "Wiring diagrams," pg. 23.
- Secure the water heater as described in chapter 11, "Installation", pg. 15.
- Observe the minimum permissible water supply pressure of 26.1 psi (1.8 bar). See section 17.6, "Data tables," pg. 25.
- Observe the maximum permissible water supply pressure of 145 psi (10 bar). See section 17.6, "Data tables," pg. 25.
- Drain the water heater as described in section 15.1, "Draining the water heater", pg. 21.

OPERATION

1. General information

The chapters "Special information" and "Operation" are intended for both users and qualified contractors.

The chapter "Installation" is intended for qualified contractors.



Note
Read these instructions carefully before using the water heater and retain them for future reference.
Pass on the instructions to a new user if required.

1.1 Safety instructions

1.1.1 Structure of safety instructions



KEYWORD Type of risk
Here, possible consequences are listed that may result from failure to observe the safety instructions.
► Steps to prevent the risk are listed.

1.1.2 Symbols, type of risk

Symbol	Type of risk
	Injury
	Electrocution
	Burns (burns, scalding)

1.1.3 Keywords

KEYWORD	Meaning
DANGER	Failure to observe this information will result in serious injury or death.
WARNING	Failure to observe this information may result in serious injury or death.
CAUTION	Failure to observe this information may result in non-serious or minor injury.

1.2 Other symbols in this documentation



Note
General information is identified by the adjacent symbol.
► Read these texts carefully.

Symbol	Meaning
	Material losses (water heater damage, material losses, and installation site damage)

► This symbol indicates that you have to do something. The action you need to take is described step by step.

1.3 Units of measurement



Note
All measurements are given in inches (millimeters) unless otherwise stated.

2. Safety

2.1 Intended use

This water heater is suitable for heating domestic hot water or for reheating preheated water. The water heater can supply one or more draw-off points.

Water will not be reheated if the maximum inlet temperature for reheating is exceeded.

The water heater is intended for domestic use. It can be used safely by untrained persons. The water heater can also be used in non-domestic environments, e.g. in small businesses, as long as it is used in the same way.

Any other use beyond that described shall be deemed inappropriate. Observation of these instructions and of the instructions for any accessories used is also part of the correct use of this water heater.

2.2 General safety instructions



DANGER: Burns
Water temperatures over 125 °F (52 °C) can cause severe burns instantly or death from scalding. A hot water scalding potential exists if the thermostat on the water heater is set too high. Households with small children, disabled or elderly persons may require that the thermostat be set at 113 °F (45 °C) or lower to prevent possible injury from hot water.



CAUTION: Burns
If operating with preheated water, e.g. from a solar thermal system, the DHW temperature may vary from the selected set temperature.

OPERATION

Register your product

**CAUTION: Burns**

During operation, the tap can reach temperatures up to 149 °F (65 °C). There is a risk of scalding at outlet temperatures in excess of 110 °F (43 °C).

**DANGER: Injury**

Please read and follow these instructions. Failure to follow these instructions could result in serious personal injury or death.



CAUTION: DO NOT INSTALL IN A BATH ENCLOSURE OR SHOWER STALL. DO NOT CONNECT TO A SALT-REGENERATED WATER SOFTENER OR A WATER SUPPLY OF SALT WATER.

FOR USE ON AN INDIVIDUAL BRANCH CIRCUIT ONLY.

CAUTION: CONNECT ONLY TO A CIRCUIT PROTECTED BY A CLASS A GROUND FAULT INTERRUPTER

USE BONDING CONDUCTOR IN ACCORDANCE WITH THE CANADIAN ELECTRICAL CODE, PART I

**DANGER: Electrocutation**

Before proceeding with any installation, adjustment, alteration, or service of this appliance, all circuit breakers and disconnect switches servicing the appliance must be turned off. Failure to do so could result in serious personal injury or death.

**DANGER: Electrocutation**

Never remove the water heater's cover unless the electricity servicing the water heater is turned off. Failure to do so could result in personal injury or death.

**WARNING Electrocutation**

The connection to the power supply is only permissible as a permanent connection in conjunction with a 3/4" Romex clamp. Ensure the water heater can be separated from the power supply by an isolator that disconnects all poles with at least 1/8" (3 mm) contact separation.

**WARNING: Injury**

Where children or persons with limited physical, sensory or mental capabilities are to be allowed to control this water heater, ensure that this will only happen under supervision or after appropriate instructions by a person responsible for their safety. Children should be supervised to ensure that they never play with the water heater.

**DAMAGE TO THE WATER HEATER AND THE ENVIRONMENT:**

The water heater must be installed by a licensed electrician and plumber. The installation must comply with all national, state and local plumbing and electric codes. Service of the water heater must be performed by qualified service technicians.

**DAMAGE TO THE WATER HEATER AND THE ENVIRONMENT:**

Supply this appliance only from a grounded system. A green terminal (or a wire connector marked "G", "GR", "GROUND", OR "GROUNDING") is provided for wiring the appliance. To reduce the risk of electric shock, connect this terminal or connector to the grounding terminal of the electric service or supply panel with a continuous copper wire in accordance with the electrical installation code.

Where children or persons with limited physical, sensory or mental abilities are allowed to use this water heater, we recommend a permanent temperature limit. The following limitation options are available:

- User adjustable: Temperature limit (childproofing)
- Qualified contractor adjustable: "Internal anti-scalding protection"

**Material losses**

The user should protect the water heater against frost.

2.3 Test symbols

See type plate on the water heater.

2.4 Licenses / certificates

- UL (USA) Std. 499
- CSA (Canada) Std. C22.2 No. 64

3. Register your product



You must register this product within 90 days of purchase on our web site in order to activate the standard warranty. Go to our web site at www.stiebel-eltron-usa.com and click on "Register Your Product."

Before beginning the registration process, we suggest that you gather the necessary information which will be as follows:

Type, Example: DHC-E 8/10-2 Trend (from the label that is on the unit)

Number listed after "No."

Place of Purchase

Purchase Date

First & Last Name

Email address

Physical Address

Phone Number

Installation Date

If you have any questions concerning the registration process or warranty, please contact Stiebel Eltron USA directly at 800.582.8423.

4. Water heater description

The water heater switches on automatically as soon as a hot water valve at a tap or other draw-off point is opened. DHC-E heats water as it flows through the unit. When the tap is closed, the water heater switches off automatically.

From the activation flow rate, the electronic control unit regulates the correct heating output using only the minimum amount of power necessary, subject to the temperature selected and the current incoming cold water temperature.

DHC-E Trend and DHC-E Plus are electronically controlled tankless water heaters, and maintain a consistent outlet temperature. This is irrespective of the inlet water temperature, up to the maximum output of the water heater.

DHC-E Plus models feature Advanced Flow Control™, a technology patented by Stiebel Eltron in Germany (patent no. DE 3805441 C2). When the maximum output of a DHC-E Plus model is met, rather than deviate from the setpoint temperature and deliver cooler water, DHC-E Plus models use an electronically-controlled motorized valve to slightly reduce the flow of water only as much as is necessary to maintain the user-selected temperature. When the demand can again be fully met, the motorized valve returns to the completely open position, allowing the full flow rate. This ensures uninterrupted comfort, and hot water delivered at the desired temperature at all times.

If the water heater is operated with preheated water, and the inlet temperature exceeds the selected set temperature, the inlet temperature will be displayed on the second row of the screen (DHC-E Plus models only) and will flash. The water is not heated further.

DHC-E models are equipped with functions to permanently limit the temperature (childproofing).

The backlight of the display switches on automatically as soon as water flows through the unit, or if a change is made at the user interface. The backlight switches off automatically if no changes are made for 30 seconds, or 5 seconds after hot water stops being drawn.

DHC-E models allow the user to save different preset temperatures and apply them quickly.

DHC-E Plus models also offer a more in-depth 2-row display with enhanced functions. The DHC-E Trend has a single-row display and a more basic user feature set.

Domestic Hot Water (DHW) temperature

The DHW outlet temperature can be variably adjusted from 68–140 °F (20–60 °C). The selected temperature is displayed.

Heating system

The Direct Coil™ heating system is comprised of a pressure-tested, glass-reinforced polyamide heating chamber with a nichrome wire direct heating coil. It is suitable for hard and soft water areas and is largely unsusceptible to scale build-up. The Direct Coil™ heating system ensures rapid and efficient DHW production.

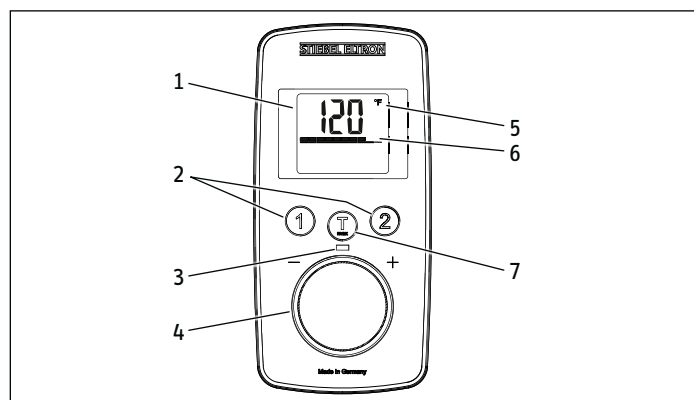


Note

The water heater is equipped with an air detector that largely prevents damage to the heating system. If, during operation, air is drawn into the water heater, the water heater shuts down the heating output for one minute to protect the heating system.

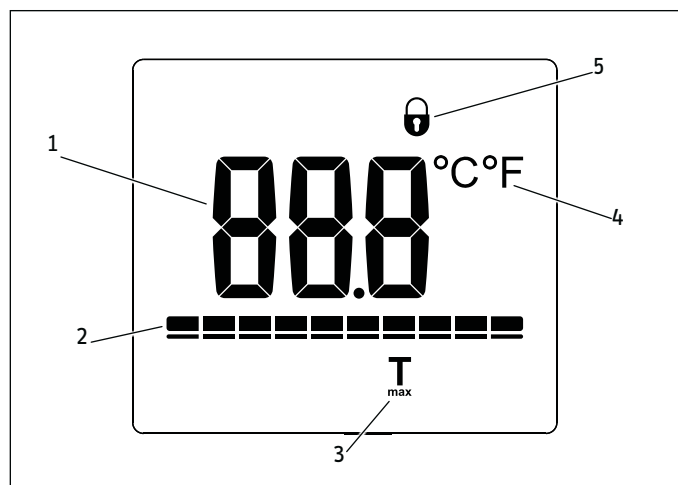
5. Settings and displays

5.1 DHC-E Trend user interface



- 1 Backlit display
- 2 Temperature memory keys
- 3 Operating LED (flashes when output limit is reached)
- 4 Control knob
- 5 Main display | info display | parameter display
- 6 Segment display [10–100%]
- 7 “T_{max}” button

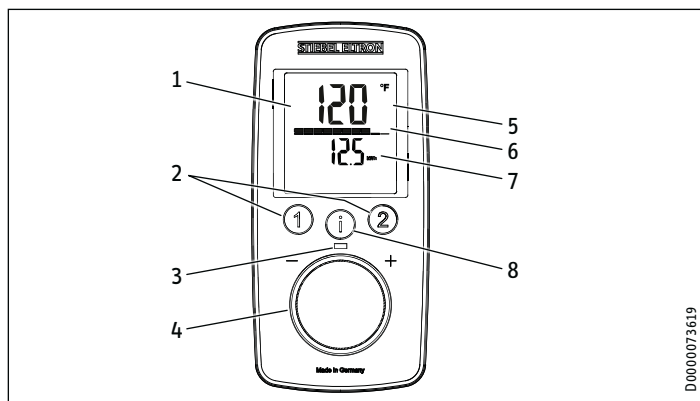
5.1.1 DHC-E Trend display overview



- 1 Digit display
- 2 Power capacity status
- 3 T_{max} indicator
- 4 Temperature unit indicator
- 5 Display-lock indicator

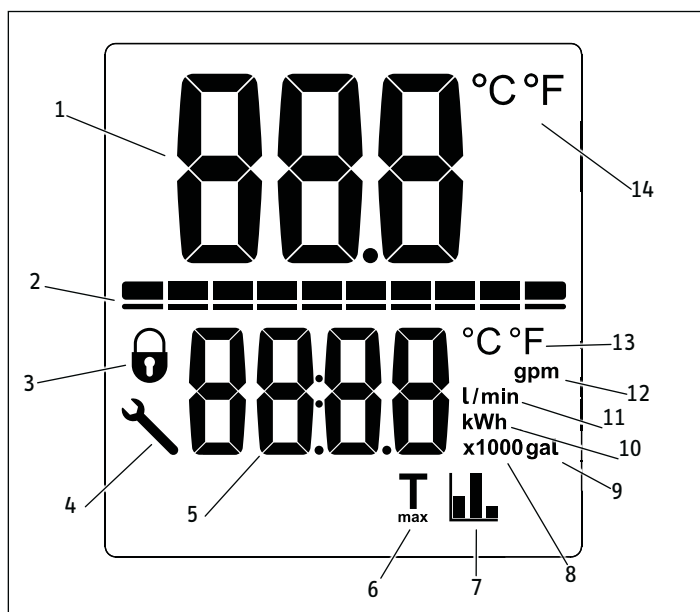
Settings and displays

5.2 DHC-E Plus user interface



- 1 Backlit display
- 2 Temperature memory keys
- 3 Operating LED (flashes when output limit is reached)
- 4 Control knob
- 5 Main display | info display | parameter display
- 6 Segment display [10-100%]
- 7 Second row of screen (DHC-E Plus only)
- 8 "i" button to retrieve information and select menus

5.2.1 DHC-E Plus display overview



- 1 Primary digit display
- 2 Power capacity status
- 3 Display-lock indicator
- 4 Error code symbol
- 5 Secondary digit display
- 6 T_{max} indicator
- 7 Savings statistics indicator
- 8 x1000 secondary display value
- 9 Gallons secondary display unit
- 10 kWh secondary display unit
- 11 Liters & liters per minute secondary display unit
- 12 Gallons per minute secondary display unit

- 13 Temperature unit for secondary display
- 14 Temperature unit for primary display




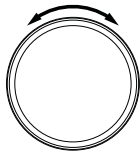
5.3 Using the display menus

The DHC-E Trend and DHC-E Plus feature an interactive display that allow for user customization to increase the level of comfort for the user.

The menu structure is designed in an intuitive, linear way to make it as navigable as possible.




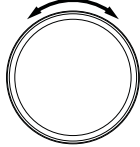
5.3.1 DHC-E Trend user input

User input

-  T_{max} button (pressing or holding this button performs different functions)
-  Preset 1 button (pressing or holding this button performs different functions)
-  Preset 2 button (pressing or holding this button performs different functions)
-  Control knob (turn knob to change settings)

5.3.2 DHC-E Plus user input

User input

-  Information button (pressing or holding this button performs different functions)
-  Preset 1 button (pressing or holding this button performs different functions)
-  Preset 2 button (pressing or holding this button performs different functions)
-  Control knob (turn knob to change settings)

5.4 DHC-E Trend display

The DHC-E Trend display features a temperature and power capacity display. The display is backlit and will illuminate whenever user input is detected. The backlight will time out and deactivate if no user input has been detected for 30 seconds.

OPERATION

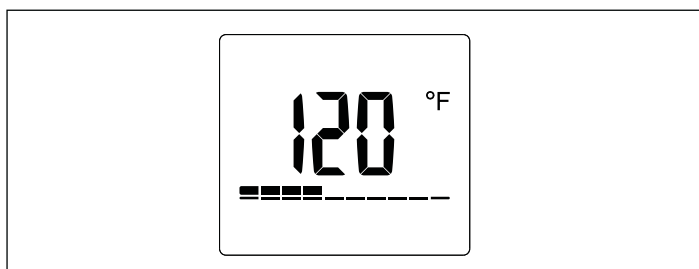
Settings and displays

For the name of each display element on the DHC-E Trend, consult section 5.1.1, “DHC-E Trend display overview”, pg. 7.

5.4.1 Base display

The base display shows the current temperature setpoint in your preferred temperature unit. The bar below the temperature shows the current operating capacity. As the hot water demand fluctuates, the power capacity status will change to show between 0 and 10 segments. The display below shows that the water heater is operating at 40% of full capacity.

All other menu displays will revert back to the base display either after a 15-second period of time without user input, or after a 5-second hold of the T_{max} button.



Changing the setpoint temperature

Temperature settings

Range	Increment	Range	Increment
68-140 °F	1 °F	20-60 °C	0.5 °C

The setpoint temperature can be set between 68 °F (20 °C) and 140 °F (60 °C).

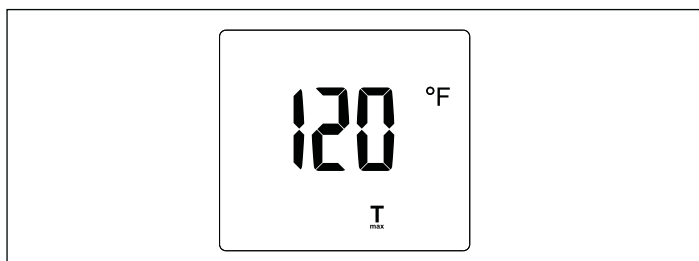
The setpoint can be increased by turning the control knob clockwise, and decreased by turning it counter-clockwise. The water heater can be deactivated while still powered by turning the control knob counter-clockwise, past the 68 °F (20 °C) setting.

5.4.2 Parameters menu

While at the base display, holding the T_{max} button for 5 seconds will advance the display to the first parameter menu.

T_{max} parameter setting

The first parameter menu sets the value for T_{max} . The value of T_{max} acts as a high temperature limiter. If the T_{max} value is set, the setpoint of the water heater cannot be set above the T_{max} value. This feature is useful in scenarios where scalding from hot water is a real possibility.



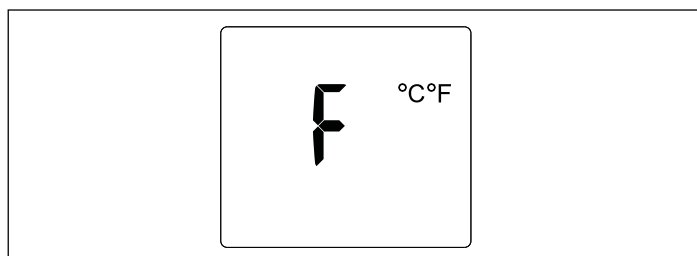
At the T_{max} setting menu, the display will flash, indicating that the value can be changed by rotating the control knob. The T_{max} value can be increased by turning the control knob clockwise, and decreased by turning it counter-clockwise. The T_{max} value can be deactivated by turning the control knob counter-clockwise, past the 68 °F (20 °C) setting. The display will read “Off” if T_{max} is inactive.

If the T_{max} symbol is visible at the base display, then the T_{max} function is active and is limiting the maximum allowable temperature to the preset level.

Pressing the T_{max} button once while at this display will move the display onto the temperature units parameter setting.

Temperature units parameter setting

The DHC-E Trend is capable of displaying temperature in either Fahrenheit or Celsius.

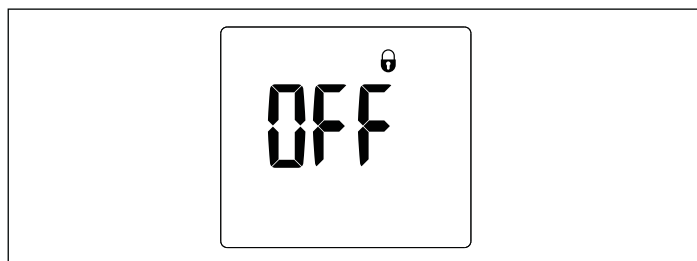


The current unit will be shown and the display will be flashing to indicate that the value can be changed. Rotate the control knob to change the value between Fahrenheit and Celsius.

Pressing the T_{max} button once while at this display will move the display onto the display-lock parameter setting.

Display-lock parameter setting

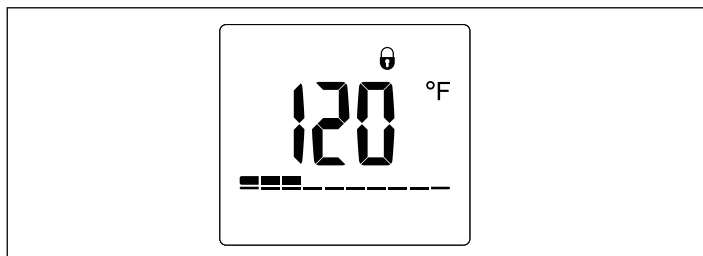
The display can be locked to prevent changes to the temperature setpoint. This menu will flash, indicating that the value can be changed by rotating the control knob. While the display shows “Off”, the lock is not active. The lock is active when it reads “On”.



If the display-lock parameter is set to “On” and the user either holds the T_{max} button for 5 seconds or lets the display time out for 15 seconds, the display-lock will become active.

OPERATION

Settings and displays



If the display-lock is active, a lock symbol will appear on the base display, and no parameters can be changed. In order to disable the lock, hold the T_{max} button for 12 seconds. The lock will disappear from the display and all parameters can be changed again.

Pressing the T_{max} button once while at the display-lock parameter setting menu will move the display back onto T_{max} parameter setting menu.

5.4.3 Returning to the base display

While navigating the display and on any menu other than the base display, holding the T_{max} button for 5 seconds will return the display to the base display. Additionally, the display will revert to the base display after a 15-second period with no user input.

5.5 DHC-E Plus display

The DHC-E Plus features a primary and secondary display area allowing for multiple parameters or information to be displayed. The DHC-E Plus is capable of displaying the current flow rate of the water passing through the water heater, as well as calculating the accumulated cost savings of having a tankless water heater compared to a tank-type water heater.

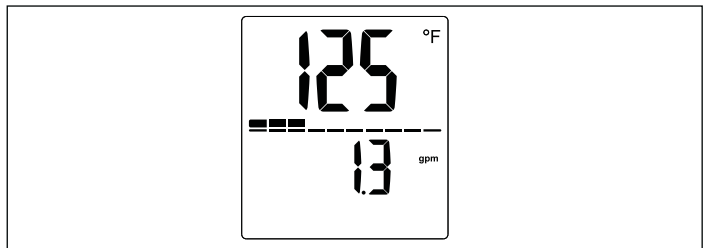
For the name of each display element on the DHC-E Plus, consult section 5.2.1, “DHC-E Plus display overview”, pg. 8.

5.5.1 Base display

The DHC-E Plus base display displays the current setpoint temperature in your preferred temperature unit in the top half of the display.

The bar below the temperature shows the current fraction of total capacity that the water heater is running at. As the hot water demand fluctuates, the power capacity status will change to show between 0 and 10 segments. The display below shows that the water heater is operating at 30% of full capacity.

The bottom half of the display shows the current flow rate through the unit in either gallons per minute (gpm) or liters per minute (l/min).



All other menus will revert back to the base display either after a 15-second period of time without user input, or after a 5-second hold of the Information button.

Changing the setpoint temperature

Temperature settings			
Range	Increment	Range	Increment
68–140 °F	1 °F	20–60 °C	0.5 °C

The setpoint temperature can be set between 68 °F (20 °C) and 140 °F (60 °C).

The setpoint can be increased by turning the control knob clockwise, and decreased by turning it counter-clockwise. The water heater can be deactivated while still powered by turning the control knob counter-clockwise, past the 68 °F (20 °C) setting.

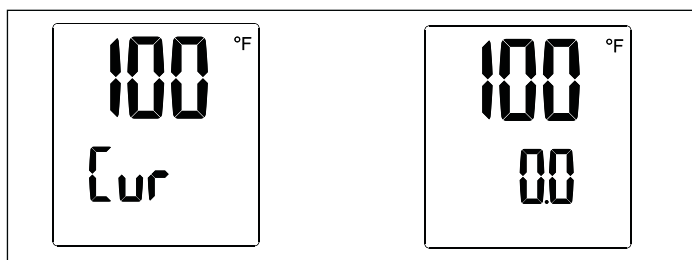
5.5.2 Information menu

The information menu structure displays additional information for the user. The information menu is accessed by pressing the Information button while at the base display.

Accumulated cost savings display

If the Information button is pressed while the display is showing the base display, the display will advance to the accumulated cost savings display.

The accumulated cost savings display will display the current setpoint temperature in the top half of the display, and the bottom half of the display will alternate between “Cur” and the accumulated savings of the water heater.



The accumulated cost savings updates daily, and shows the estimated savings for the user compared to an installation where a 50-gallon tank-type water heater was used.



Note

The energy saving values are calculated starting from the last reset.

This savings estimate is based on the users electricity cost. For the most accurate estimate, the local electricity cost per kWh should be set in the electricity cost parameter setting menu. For information on how to do this, see section “Electricity cost parameter setting”, pg. 11.

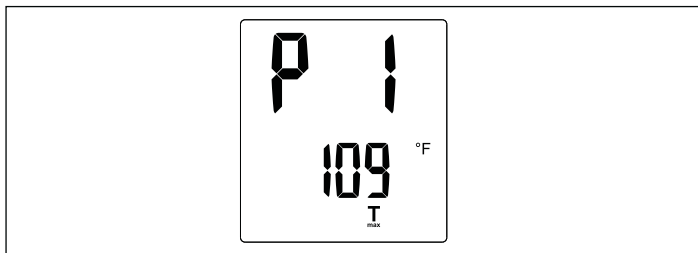
Pressing the Information button will advance back to the base display. The display will also revert back to the base display if no user input is detected for 10 seconds.

5.5.3 Parameters menu

The parameter menu allows multiple settings on the DHC-E Plus to be altered. The parameter menu can be accessed by holding the Information button for 5 seconds.

T_{max} parameter setting

The first parameter menu sets the value for T_{max} . The value of T_{max} acts as a high temperature limiter. If the T_{max} value is set, the set-point of the water heater cannot be set above the T_{max} value. This feature is useful in scenarios where scalding from hot water is a real possibility.



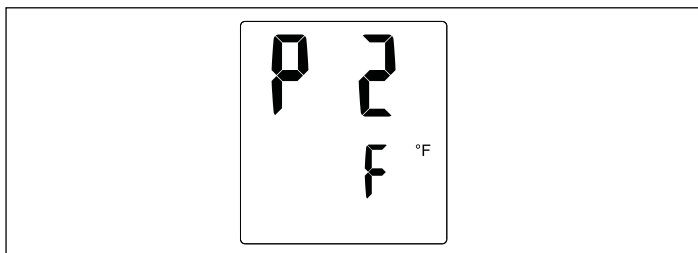
At the T_{max} setting menu, the temperature value will flash, indicating that the value can be changed by rotating the control knob. The T_{max} value can be increased by turning the control knob clockwise, and decreased by turning it counter-clockwise. The T_{max} value can be deactivated by turning the control knob counter-clockwise, past the 68 °F (20 °C) setting. The display will read "Off" if T_{max} is inactive.

If the T_{max} symbol is visible at the base display, then the T_{max} function is active and limiting the maximum allowable temperature.

Pressing the Information button once while at this menu will move the display onto the temperature units parameter setting.

Temperature units parameter setting

The DHC-E Plus is capable of displaying temperature in either degrees Fahrenheit or degrees Celsius.

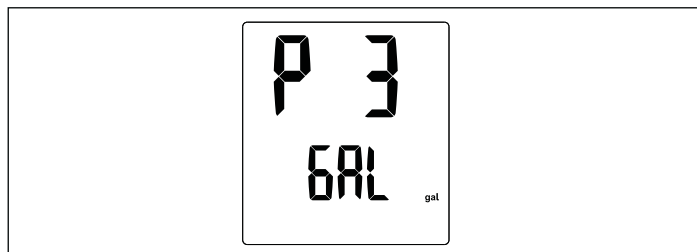


The current unit will be shown and the secondary display value will be flashing to indicate that the value can be changed. Rotate the control knob to change the value between degrees Fahrenheit and degrees Celsius.

Pressing the Information button once while at this menu will move the display onto the volume units parameter setting.

Volume units parameter setting

The DHC-E Plus is capable of displaying volume or volume flow in either gallons per minute (gpm) or liters per minute (l/min).

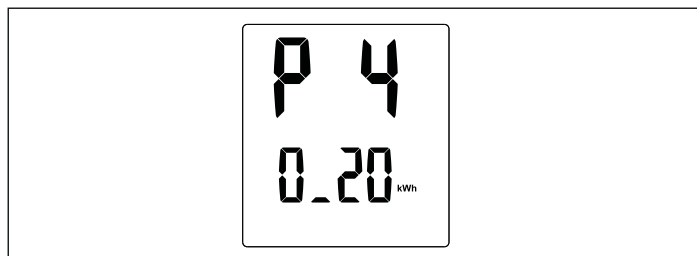


The current volume unit will be displayed and the value will be flashing to indicate that it can be changed. Rotate the control knob to change the value between gallons per minute and liters per minute.

Pressing the Information button once while at this menu will advance the display to the electricity cost parameter setting.

Electricity cost parameter setting

The DHC-E Plus has a built-in feature where it calculates the energy savings of the unit when compared to the average energy use of a tank-type water heater. In order for this feature to be accurate, the cost per kWh of electricity must be programmed into the software.

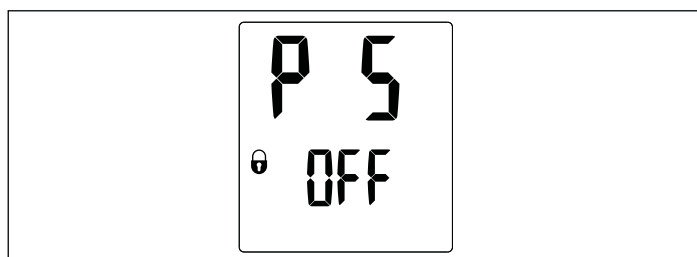


The secondary display will be flashing to indicate that the value can be changed by rotating the control knob. Consult your electricity bill to determine the cost of electricity per kWh.

Pressing the Information button once while at this menu will advance the display to the display-lock parameter setting.

Display-lock parameter setting

The display can be locked to prevent easy alteration of the temperature setpoint. This menu will flash, indicating that the value can be changed by rotating the control knob. While "Off" is displayed, the lock is not active. The lock is active when the display reads "On".



If the display-lock parameter is set to "On" and the user either holds the Information button for 5 seconds or lets the display time out for 15 seconds, the display-lock will become active.

With the display-lock active, a lock will appear on the base display, and no parameters can be changed. In order to disable the lock, hold

OPERATION

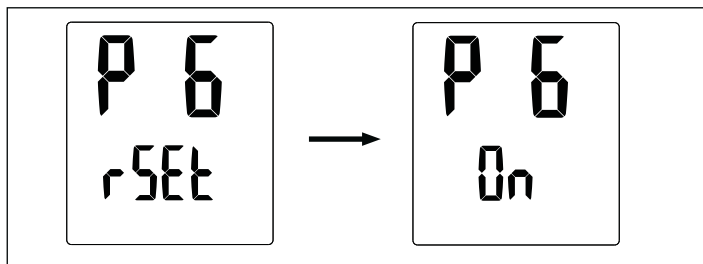
Settings and displays

the Information button for 12 seconds. The lock will then disappear and all parameters can be changed again.

Pressing the Information button once while at the display-lock parameter setting menu will move the display onto the factory setting reset parameter menu.

Factory setting reset parameter

The temperature setpoint, preset values, temperature, & volume units can all be reset to their factory settings.

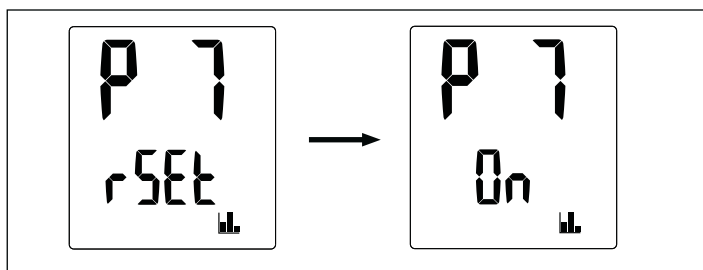


The display will be flashing to indicate that the value can be changed by rotating the control knob. To reset, first press and hold both buttons 1 and 2 for 5 seconds, "On" then appears. Then push information button for 5 seconds to reset.

Pressing the Information button once will advance the display to the accumulated savings reset parameter menu.

Accumulated savings reset parameter

Much like the factory setting reset parameter, the calculated accumulated savings value can be reset to zero.

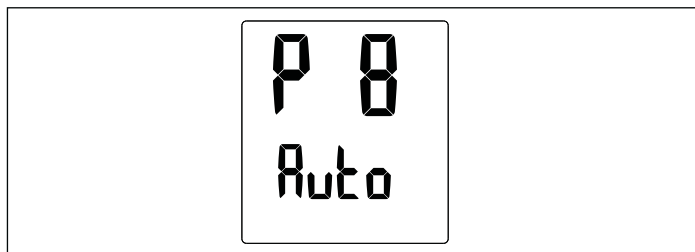


The display will be flashing to indicate that the value can be changed by rotating the control knob. To reset, first press and hold both buttons 1 and 2 for 5 seconds, "On" then appears. Then push information button for 5 seconds to reset.

Pressing the Information button once will advance the display to the display backlight time-out parameter.

Display backlight time-out parameter

The backlight of the display can be set to be always on, or set to an automatic mode that deactivates when no user input is detected for 30 seconds.

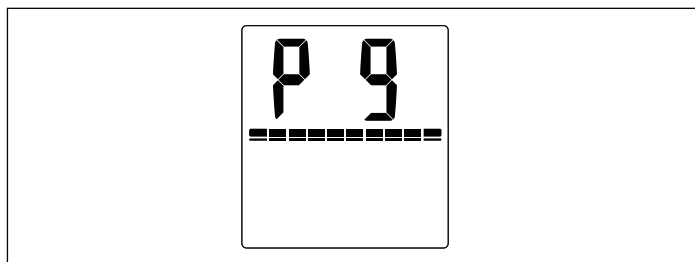


The entire display and backlight will be flashing to indicate that the value can be changed by rotating the control knob. When the value is set to "On", the backlight will always be on. When the value is set to "Auto", it will automatically deactivate after 30 seconds of inactivity.

Pressing the Information button once while at this menu will advance the display to the backlight display brightness parameter menu.

Backlight display brightness parameter

The brightness of the display backlight can be adjusted to two different parameters. A high and low setting allows for user customization depending on the light conditions in the installation location.



The power capacity status bar indicates the brightness setting. A full capacity bar indicates that the brightness is at the high setting. Two capacity bars indicate that the brightness is at the low setting.

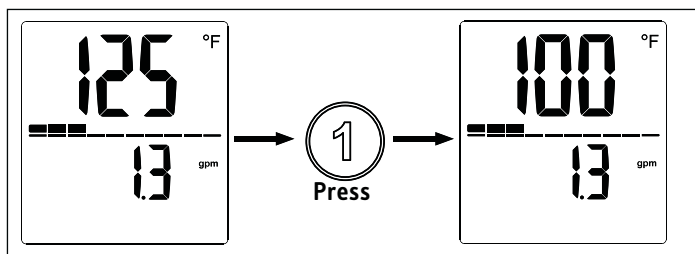
Pressing the Information button once while at this menu will advance the display back to the T_{max} parameter setting page, labeled "P1".

5.6 Temperature preset options

All DHC-E models feature two temperature preset settings to allow for quickly accessible setpoints. Button 1 and Button 2 are capable of each storing an independent setpoint value.

Changing setpoint to preset values

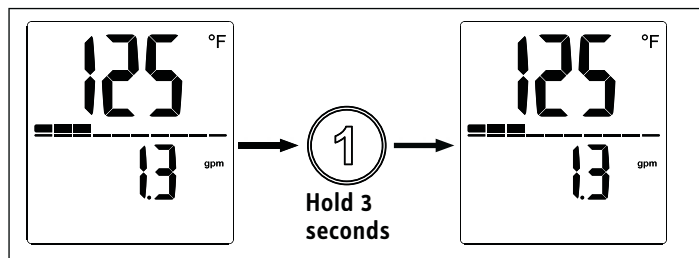
While the display is at the base display, the user can press either Button 1 or Button 2 to change the setpoint to the buttons stored value.



When the button is pressed, the setpoint value will change to whatever value was stored up to that point.

Changing the preset values

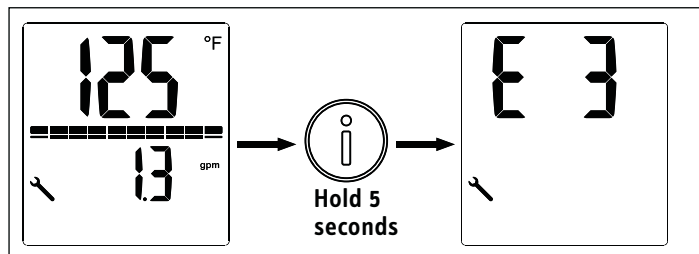
The preset values can be changed from the default setpoint values.



To change the value of either preset 1 or preset 2, first rotate the control knob to the temperature that you want to set as the preset value. Then hold the preset button for 3 seconds. The display will flash to indicate that the preset has been changed successfully.

5.7 Error menu

If the DHC-E encounters an error, a wrench will illuminate in the bottom left of the display.



While the wrench is showing, press and hold the Information button (DHC-E Plus) or T_{max} button (DHC-E Trend) for five seconds to advance the display to the error display page. Consult section 16, "Troubleshooting", pg. 22, for information on how to interpret the reported error code.

5.8 Returning to the base display

While navigating the display and on any menu other than the base display, holding the Information button for 5 seconds will return the display to the base display. Additionally, the display will revert from a parameter menu to the base display after a 15-second period with no user input, or from an information menu to the base display after a 10-second period with no user input.

5.9 Recommended settings

Your electric tankless water heater offers maximum precision and convenience for DHW production. Should you nonetheless operate the water heater with a thermostatic valve, we recommend that you:

- ▶ Adjust the set temperature on the water heater to over 122 °F (50 °C). Then set the required set temperature on the thermostatic valve.

Saving energy

The following recommended settings will result in the lowest energy consumption:

- 100 °F (38 °C) for hand washbasins, showers, bath
- 131 °F (55 °C) for kitchen sinks

Internal anti-scalding protection (qualified contractors)

If required, the qualified contractor can set a permanent temperature limit, for example in nurseries, hospitals, etc. See section 12.1, "Internal anti-scalding protection via jumper slot," pg. 18.

Recommended setting for operation with a thermostatic valve and water preheated by solar energy

- ▶ Set the temperature at the water heater to the maximum temperature.

Following an interruption to the water supply



Material losses

To ensure that the Direct Coil™ heating system is not damaged following an interruption to the water supply, the water heater must be restarted by taking the following steps.

- ▶ Disconnect the water heater from the power supply by turning off the connected circuit breaker.
- ▶ Open and close all connected draw-off valves at least 5 times, for at least 3 minutes total, until all air has been purged from the pipework and the water heater.
- ▶ Switch the power back at the circuit breaker back ON.

6. Cleaning, care and maintenance

- ▶ Never use abrasive or corrosive cleaning agents. A damp cloth is sufficient for cleaning the water heater.
- ▶ Check the taps regularly. Limescale deposits at the tap outlets can be removed using commercially available descaling agents.

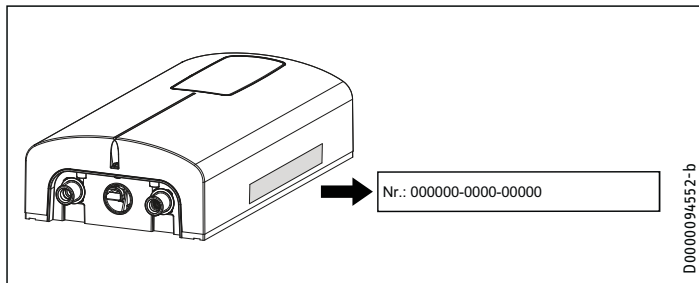
INSTALLATION

Troubleshooting

7. Troubleshooting

Problem	Cause	Solution
The water heater will not start despite the DHW valve being fully open	There is no power	Check to ensure circuit breaker in breaker panel hasn't tripped. Reset if necessary The white AE3 safety switch has not been engaged during initial startup. Activate if necessary (See section 12.3.1, "Initial AE3 safety switch activation," pg. 19). If the AE3 switch has tripped after initial installation, contact a qualified contractor to fix the cause
	The aerator in the tap or the shower head is scaled up or dirty	Clean and/or descale the aerator or shower head
	The water supply has been interrupted	Vent the water heater and the cold water inlet line
When hot water is being drawn off, cold water flows for a short period	The air detector detects air in the water. It switches off the heating output briefly	The water heater restarts automatically after 1 minute
The required temperature cannot be set	Internal anti-scalding protection is active	The internal anti-scalding protection can only be adjusted by qualified contractors

If you cannot solve the problem, contact your qualified contractor. To facilitate and speed up your inquiry, please provide the serial number from the type plate (000000-0000-000000). For live technical assistance, please contact us at 800.582.8423. Alternatively, you may email us at info@stiebel-eltron-usa.com



INSTALLATION

8. Safety

Only a qualified contractor should carry out installation, commissioning, maintenance and repair of the water heater.

8.1 General safety instructions

We guarantee trouble-free function and operational reliability only if original accessories and spare parts intended for the water heater are used.



Material losses

Observe the maximum inlet temperature. Higher temperatures may damage the water heater. You can limit the maximum inlet temperature by installing a central thermostatic valve.



WARNING Electrocutation

This water heater contains capacitors which are discharged when disconnected from the power supply. The capacitor discharge voltage may briefly exceed 60 V DC.

8.2 Instructions, standards and regulations



Note

Observe all applicable national and regional regulations and instructions.

- The electrical resistivity of the water must not fall below that stated on the type plate. In a linked water network, factor in the lowest electrical resistivity of the water. Your water supply utility will advise you of the electrical resistivity or conductivity of the water in your area.

9. Water heater description

9.1 Standard delivery

The following are delivered with the water heater:

- Filter screen, factory installed in cold water inlet
- Jumper for anti-scalding protection, attached
- Jumper for power output switching, attached
- Jumper, spare, attached
- 2 x mounting screws
- 2 x wall anchors
- 0.5 gpm (1.9 l/min) flow-reducer/aerator [DHC-E 3/3.5-1 Trend only]. See section 11.3, "Aerator installation at connected faucet," pg. 17, for more information.

- 2 x 0.5 gpm (1.9 l/min) and 1 x 1.0 gpm (3.8 l/min) flow-reducer/aerators [DHC-E 4/6-2 Trend only]. See section 11.3, "Aerator installation at connected faucet," pg. 17, for more information.

10. Preparation

10.1 Installation site



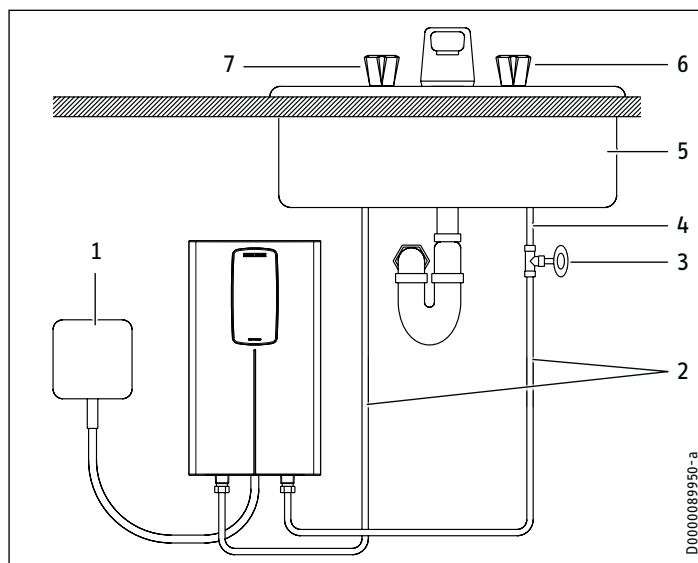
Material losses

Install the water heater in a room that is free from the risk of frost.

- ▶ Install DHC-E in a frost free area. If frost may occur, remove the unit before freezing temperatures set in.
- ▶ Always install the water heater vertically with plumbing fittings pointing downward. Install the water heater near the draw-off point to minimize pipe runs and thermal losses.
- ▶ **Taps:** Do not use open vented or non-pressurized taps.

The water heater is suitable for under-sink and over-sink installation.

Typical under-sink installation



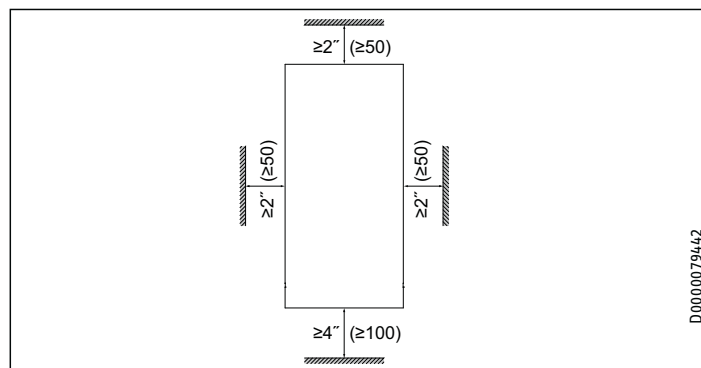
- 1 Electrical junction box
- 2 1/2" water supply line for faucet installation
- 3 Shut-off valve
- 4 Cold water supply
- 5 Sink
- 6 Cold valve (right)
- 7 Hot valve (left)



Note

▶ Install the water heater flush to the wall. The wall must have sufficient load bearing capacity.

10.2 Minimum clearances



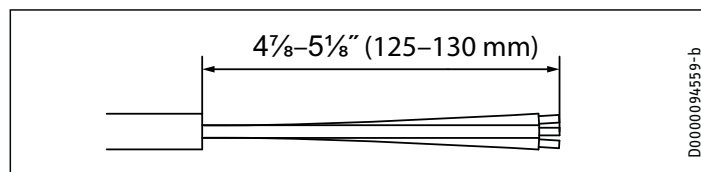
- ▶ Maintain the minimum clearances to ensure trouble-free operation of the water heater and facilitate maintenance work.

11. Installation

Factory default settings	DHC-E 3/3.5-1 Trend	DHC-E 4/6-2 Trend	DHC-E 8/10-2 Trend	DHC-E 12/15-2 Trend & Plus
Internal temperature limit, °F (°C)	140 (60)	140 (60)	140 (60)	140 (60)
Power output	@ 120 V	3.5 kW	-	-
	@ 208 V	-	4.5 kW	7.2 kW
	@ 240 V	-	6.0 kW	9.6 kW

11.1 Standard wall-mounted installation

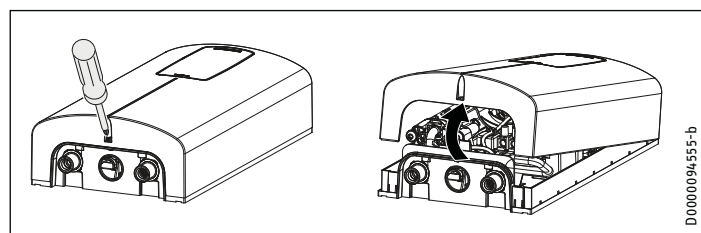
11.1.1 Preparing the power cable



- ▶ Prepare the power cable.

11.1.2 Mounting instructions

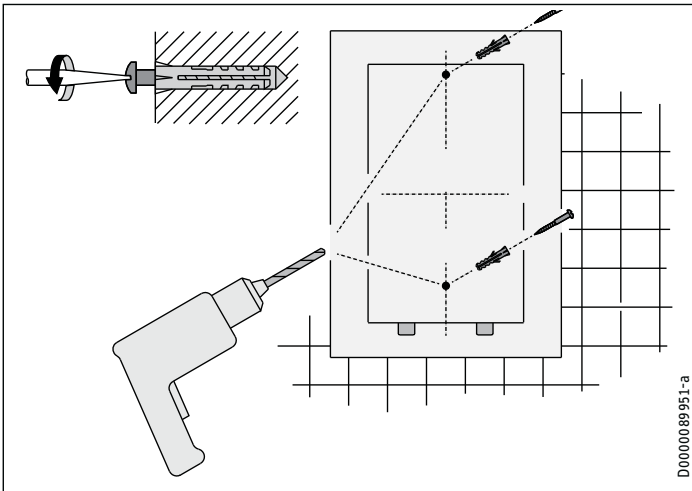
- ▶ Install DHC-E as close as possible to the hot water draw-off point, for example, directly underneath the sink.
- ▶ Install DHC-E in a frost free area. If frost may occur, remove unit before freezing temperatures set in.
- ▶ Observe minimum clearances on all sides to ensure unobstructed servicing if necessary.
- ▶ Remove plastic cover by loosening the screw on the bottom. Lift cover off from the bottom.



INSTALLATION

Installation

- ▶ Mark the 2 drill holes, referencing their position using the water heater rear panel as a guide.
- ▶ Set water heater rear panel aside and drill the 2 marked holes.
- ▶ Install wall anchors in the wall, then insert and tighten each mounting screw partially. Screws and plastic wall anchors for mounting on drywall or wood are provided.
- ▶ Hang the unit on the 2 mounting screws, ensuring the rear of the unit is flush against the wall.
- ▶ Once the unit is in position, mount the unit securely to the wall by fully tightening the 2 mounting screws.



11.2 Water connections



CAUTION: DO NOT INSTALL IN A BATH ENCLOSURE OR SHOWER STALL OR CONNECT TO A SALT-REGENERATED WATER SOFTENER OR A WATER SUPPLY OF SALT WATER

FOR USE ON AN INDIVIDUAL BRANCH CIRCUIT ONLY

CAUTION: CONNECT ONLY TO A CIRCUIT PROTECTED BY A CLASS A GROUND FAULT CIRCUIT INTERRUPTER

USE COPPER CONDUCTORS ONLY

USE BONDING CONDUCTOR IN ACCORDANCE WITH THE CANADIAN ELECTRICAL CODE, PART I



Material losses

Carry out all water connection and installation work in accordance with regulations.



Material losses

Excessive heat from soldering on copper pipes near the DHC-E may cause damage to the unit or the plastic filter screen located in the cold water inlet.



NOTICE

The cold water connection to the unit **MUST** be disconnected periodically in order to clean the filter screen. It is required to use water connections that are easily detachable such as braided steel flex connectors.



NOTICE

Hard water or water with a high mineral count may damage the unit. Damage to the unit caused by scale or a high mineral count is not covered under the warranty.



NOTICE

Tankless water heaters such as the DHC-E are not required to be equipped with a temperature and pressure relief valve (T&P). If the local inspector will not pass the installation without a T&P, it should be installed on the hot water outlet side of the unit.

11.2.1 Permissible water connection materials

- ▶ The DHC-E's hot water outlet (left) is designed for connection to copper tubing, PEX tubing or a braided stainless steel hose with a 1/2" NPT female tapered thread.
- ▶ The plumbing on the cold water inlet side (right) needs to be such that it can easily be removed to allow access to the inlet filter screen. The easiest way to achieve this is to use a braided steel flex connector with a 1/2" female NPT connection.



Material losses

If plastic pipework systems are used, take into account the maximum inlet temperature and the maximum permissible pressure.

11.2.2 Flow rate

- ▶ Ensure that the minimum activation flow rate for switching on the water heater is met: 0.264 gal (1.0 l/min).
- ▶ If the required minimum activation flow rate is not met when the draw-off valve is fully opened, increase the water line pressure. Minimum supply pressure is 26.1 psi (1.8 bar).

11.2.3 Water connection instructions



Material losses

If soldering near the unit is necessary, please direct the flame away from the housing of the unit in order to avoid damage. Note that excessive heat from soldering (not recommended) near the cold water inlet fitting may damage the plastic filter screen located inside it.

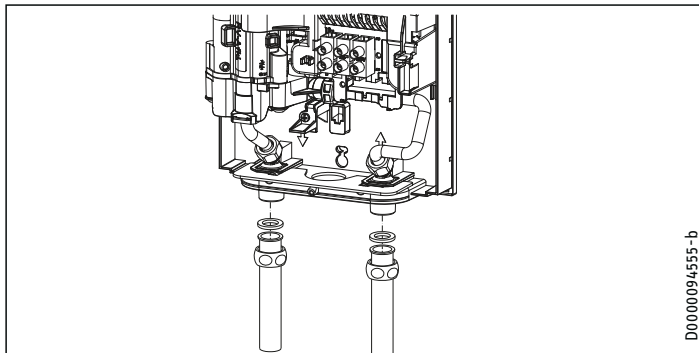
All plumbing work must comply with national and applicable state and local plumbing codes.

Cold water connection (inlet) is on the right side of the unit, hot water connection (outlet) is on the left side of unit.

- ▶ A pressure reducing valve must be installed if the cold water supply pressure exceeds 150 psi (10 bar).

Installation

- ▶ Make certain that the cold water supply line has been flushed to remove any scale and dirt.
- ▶ Install shut-off valve in cold water line as shown in the illustration on page 15. This allows the unit to be easily isolated for maintenance purposes.



- ▶ Connected braided steel flex connectors (recommended for hot outlet, required for cold inlet, not supplied) to the twin 1/2" NPT male connectors.
- ▶ Open the shut-off valve in the cold water inlet line.

When all plumbing work is completed, check for leaks and take corrective action before proceeding.

11.3 Aerator installation at connected faucet

DHC-E 3/3.5-1 Trend ships with a 0.5 gpm (1.9 l/min) pressure compensating flow-reducer/aerator that must be installed on the faucet the water heater is connected to. Failure to install the aerator may result in lower water temperatures than desired.

DHC-E 4/6-2 Trend ships with a 1.0 gpm (3.8 l/min) aerator and 2 x 0.5 gpm (1.9 l/min) aerators, allowing for maximum installation flexibility. A single 0.5 gpm or 1.0 gpm aerator (depending on required temperature rise) should be installed when the unit is used at the [low] power output setting (jumper position 1). At the [high] power output setting (factory default, jumper position 2), the unit may be plumbed to a single sink using the 1.0 gpm aerator, or to two sinks using the 2 x 0.5 gpm aerators. Failure to install the aerator(s) may result in lower water temperatures than desired.

11.4 Electrical connection



WARNING: Electrocution

Before beginning any work on the electric installation, be sure that main breaker panel switches are "Off" to avoid any danger of electric shock. All mounting and plumbing must be completed before proceeding with electrical hook-up.

The unit must be properly grounded in accordance with state and local codes, or in absence of such codes, in accordance with national electric code or the Canadian electric code. Failure to electrically ground the product could result in serious personal injury or death.



WARNING Electrocution

The connection to the power supply is only permissible as a permanent connection in conjunction with a 3/4" Romex clamp. Ensure the water heater can be separated from the power supply by an isolator that disconnects all poles with at least 1/8" (3 mm) contact separation.



CAUTION: DO NOT INSTALL IN A BATH ENCLOSURE OR SHOWER STALL. DO NOT CONNECT TO A SALT-REGENERATED WATER SOFTENER OR A WATER SUPPLY OF SALT WATER.

FOR USE ON AN INDIVIDUAL BRANCH CIRCUIT ONLY.

CAUTION: CONNECT ONLY TO A CIRCUIT PROTECTED BY A CLASS A GROUND FAULT INTERRUPTER

USE BONDING CONDUCTOR IN ACCORDANCE WITH THE CANADIAN ELECTRICAL CODE, PART I



Supply this appliance only from a grounded system. A green terminal (or a wire connector marked "G", "GR", "GROUND", OR "GROUNDING") is provided for wiring the appliance. To reduce the risk of electric shock, connect this terminal or connector to the grounding terminal of the electric service or supply panel with a continuous copper wire in accordance with the electrical installation code.



Material losses

Observe the type plate. The specified rated voltage must match the supply line voltage.



Material losses

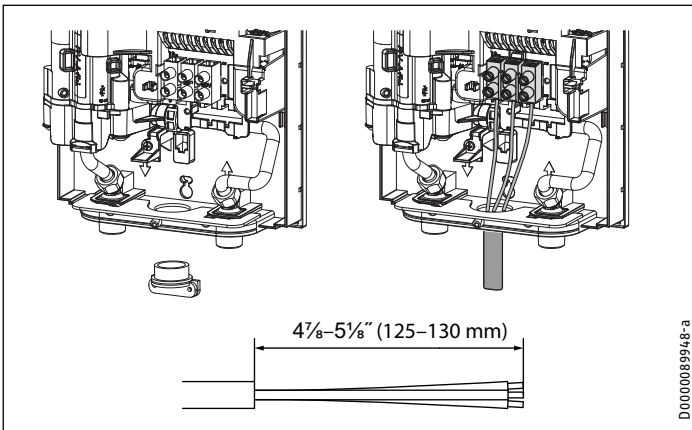
The DHC-E 3/3.5-1 Trend must only be connected to a 120 V electrical supply. Connecting the DHC-E 3/3.5-1 Trend to a 208-240 V electrical supply will permanently damage the unit and void the factory warranty.

- ▶ All electrical work must comply with national and applicable state and local electrical codes.
- ▶ The DHC-E should be connected to a properly grounded dedicated branch circuit of proper voltage rating. In installations with several DHC-E units, each unit requires an independent circuit. Please refer to the technical data table for the correct wire and circuit breaker size.

INSTALLATION

Commissioning

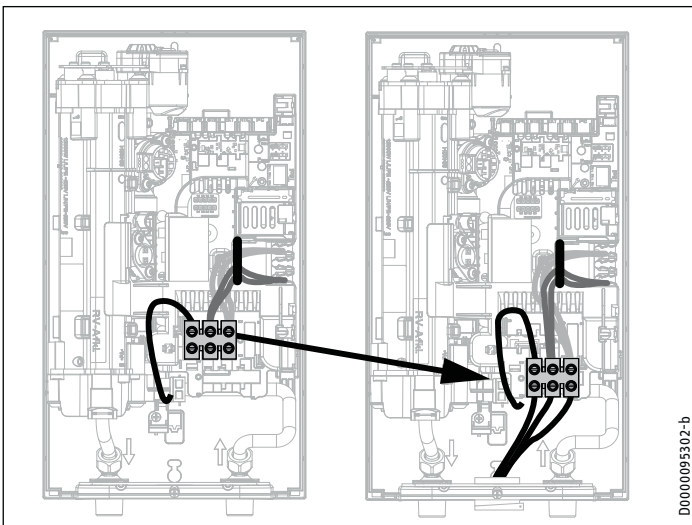
- ▶ A 3/4" Romex clamp (required, not supplied) should be installed in the opening located between the hot and cold water connections. The wire should be fed through the Romex clamp. The "live" wires must be connected to the slots on the terminal block marked N and L (DHC-E 3/3.5-1 Trend only) or L and L (all other versions). The ground wire must be connected to the slot marked with the ground symbol. See section 17.2, "Wiring diagrams," pg. 23.



11.5 Electrical connection with short power cable

If the power cable is not quite long enough, you can install the wiring block closer to the aperture in the water heater.

- ▶ Reposition the wiring block from the top to the bottom. To do so, unclip the wiring block by pushing it firmly to the left and pulling it forwards.



- ▶ Clip the wiring block in at the bottom by pushing it inwards and to the left until it clicks into place.

11.6 Wiring block

Consult the chart below for the recommended torque amounts on the wiring block screws.

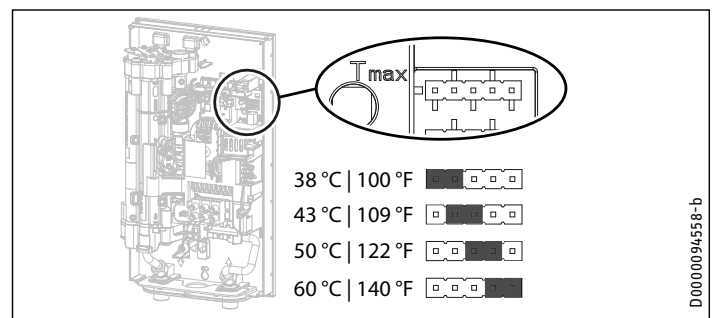
Screw Size (mm)	Min. Torque (N•cm)	Min. Torque (Lbf•in)
M6	200-250	17.7-22.1

Using the proper torque specifications to secure wire to the wiring block helps to avoid personal loss or property damage.

12. Commissioning

12.1 Internal anti-scalding protection via jumper slot

For increased safety, the qualified contractor can set an internal anti-scalding temperature limit via the "T_{max}" jumper. The anti-scalding protection feature limits the maximum output temperature of the water heater. This feature overrides the temperature adjustment display on the front cover (both the temperature selection and temperature limit via software functions). A user can still make temperature adjustments below the anti-scalding limit using the display, however, any temperature selected that is higher than the T_{max} limit set will be ignored, and the output temperature will be limited to the T_{max} value.



Jumper position	Description
38 °C 100 °F	Code-compliant hand washing applications
43 °C 109 °F	Applications where risk of scalding may be a concern
50 °C 122 °F	DHW for kitchen sink, utility sink, etc.
60 °C 140 °F	Commercial applications (kitchens, etc.), health code requirements (factory default setting)
No jumper	Limit 38 °C 100 °F

- ▶ Install the jumper in the required position on the "T_{max}" pin strip.



CAUTION Burns

If the water supplied to the water heater is preheated, the internal anti-scalding protection and the user-adjustable temperature limit may be exceeded.

In such cases, limit the temperature with an upstream central thermostatic valve.

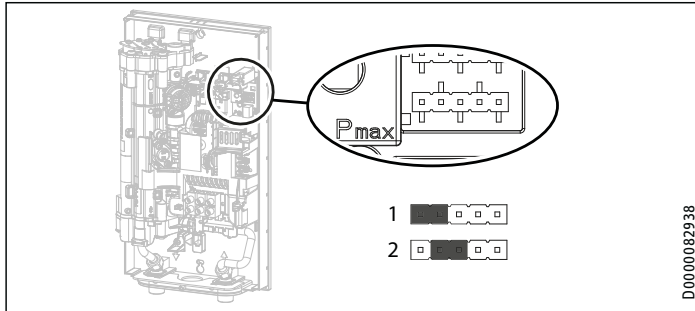
INSTALLATION

Commissioning

12.2 Changing power output via jumper slot

DHC-E models feature selectable power output.

If you select a value other than the factory default setting, you will need to reposition the jumper.



- ▶ Install the jumper in the required position on the “P_{max}” pin strip.

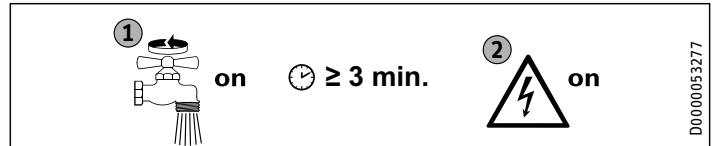
Jumper position		Power output	
		DHC-E 3/3.5-1 Trend	DHC-E 4/6-2 Trend
1 [low]	@ 120 V	3.0 kW	-
	@ 208 V	-	2.9 kW
	@ 240 V	-	3.8 kW
2 [high] factory default	@ 120 V	3.5 kW	-
	@ 208 V	-	4.5 kW
No jumper [low]	@ 120 V	3.0 kW	-
	@ 208 V	-	2.9 kW
	@ 240 V	-	3.8 kW

Jumper position		Power output	
		DHC-E 8/10-2 Trend	DHC-E 12/15-2 Trend & Plus
1 [low]	@ 208 V	5.4 kW	9.0 kW
	@ 240 V	7.2 kW	12.0 kW
2 [high] factory default	@ 208 V	7.2 kW	10.8 kW
	@ 240 V	9.6 kW	14.4 kW
No jumper [low]	@ 208 V	5.4 kW	9.0 kW
	@ 240 V	7.2 kW	12.0 kW

- ▶ Mark the selected power output on the type plate. Use a ball-point pen to do this.

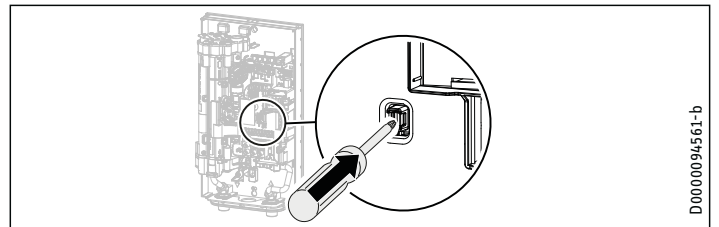
12.3 Initial start-up

Note
During initial start-up, you **MUST** engage the AE3 safety switch by depressing the white reset button before supplying power to the water heater. The unit will **NOT** operate until the safety switch has been engaged.

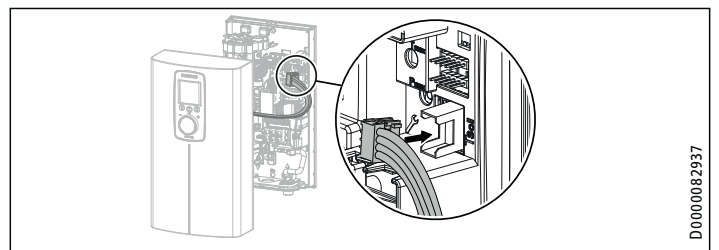


- ▶ Open and close all connected draw-off valves at least five times total. Let water run for at least three minutes, until all air has been purged from the pipework and the water heater.
- ▶ Ensure there are no water leaks from any plumbing connections.

12.3.1 Initial AE3 safety switch activation



- ▶ Engage the AE3 safety switch by firmly pressing the white reset button until it clicks and fully locks in place (the water heater is delivered with the safety switch disengaged).

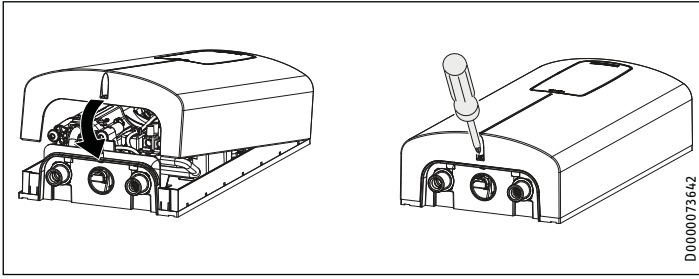


- ▶ Connect the programming unit connecting cable plug to the PCB.

Note
It is essential to plug the connecting cable from the programming unit into the PCB before switching on the power. Otherwise, the programming unit will not function.

INSTALLATION

Water heater shutdown



- ▶ Hook the water heater cover into the water heater back panel at the top rear. Pivot the cover downwards. Check that the cover is securely seated at both top and bottom.
- ▶ Secure the cover with the screw.
- ▶ Remove the protective film from the front panel.



- ▶ Switch on the power supply.
- ▶ Ensure that the programming unit is functioning correctly.

12.3.2 Water heater handover

- ▶ Explain the water heater functions to users, and familiarize them with how it works.
- ▶ Make the user aware of potential dangers, especially the risk of scalding.
- ▶ Hand over the instructions.

12.4 Operation with preheated water

The maximum inlet temperature may be limited by installing a central thermostatic valve. Use the thermostatic valve for central premixing, for example when operating an tankless water heater with preheated water. For use in shower operation, the valve must be set to a maximum of 131 °F (55 °C).

12.5 Recommissioning



Material losses

To ensure that the Direct Coil™ heating system is not damaged following an interruption to the water supply, the water heater must be restarted by taking the following steps:

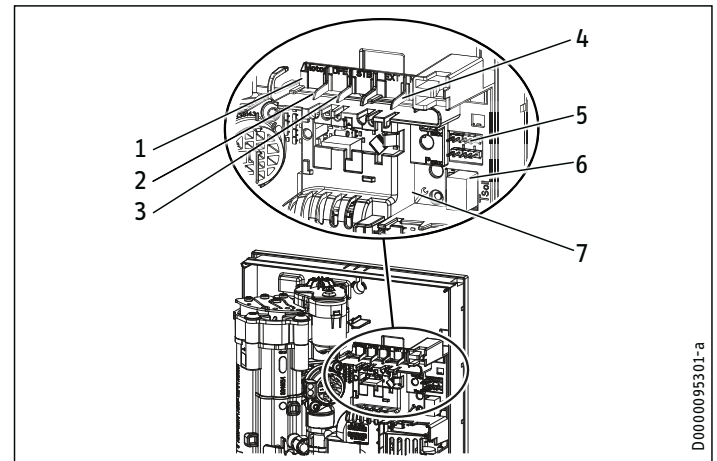
- ▶ Disconnect the water heater from the power supply by turning the connected circuit breaker.
- ▶ Open and close all connected draw-off valves at least 5 times, for at least 3 minutes total, until all air has been purged from the pipework and the water heater.
- ▶ Switch the power back ON.

13. Water heater shutdown

- ▶ Turn the connected circuit breaker to the “Off” position.
- ▶ Drain the water heater (See section 15.1, “Draining the water heater,” pg. 21”).

14. Service information

Connection overview/component overview



- 1 Motorized valve
- 2 Flow sensor
- 3 High limit safety cut-out, automatic reset, Klixon
- 4 NTC sensor
- 5 Pin strips for connected load and anti-scalding protection
- 6 Programming unit plug-in position
- 7 Diagnostic traffic lights

15. Maintenance



WARNING Electrocutation

Before beginning any work on the water heater, be sure that connected circuit breakers are “Off” to avoid any danger of electric shock.

- ▶ Open the cold water supply shut-off valve.
- ▶ Vent the air from pipes and the water heater by opening and closing all connected draw-off valves at least 5 times, for at least 3 minutes total, until all air has been purged from the pipework and the water heater.
- ▶ Turn on circuit breaker to bring electrical power to the unit.

15.1 Draining the water heater

The water heater can be drained for maintenance work.



WARNING Burns

Hot water may escape when you drain the water heater.

- ▶ Close the shut-off valve in the cold water inlet line.
- ▶ Open all draw-off valves.
- ▶ Undo the water connections on the water heater.
- ▶ Store the dismantled water heater free from the risk of frost, as water residues remaining inside the water heater can freeze and cause damage.

15.2 Cleaning the filter screen



WARNING Burns

Hot water may escape when you drain the water heater.



Material losses

To ensure that the Direct Coil™ heating system is not damaged following an interruption to the water supply, the water heater must be restarted by taking the following steps:

- ▶ Shut off power to the unit at the breaker panel by making sure that connected circuit breakers are “OFF” to avoid any danger of electric shock.
- ▶ Open and close all connected draw-off valves at least 5 times, for at least 3 minutes total, until all air has been purged from the pipework and the water heater.
- ▶ Switch the power back ON at the breaker panel.

The DHC-E has a built in sediment filter screen that should be cleaned periodically:

- ▶ Turn off power to the water heater at the circuit breaker.
- ▶ Turn off the water supply to the water heater at the shut-off valve.
- ▶ Open a connected hot water tap to relieve built-up pressure (this will minimize leakage when removing the connection from the cold water inlet).
- ▶ Disconnect the braided steel flex connector from the cold water inlet fitting (right).
- ▶ To remove the filter screen from the bottom of the cold water inlet, carefully insert a flathead screwdriver just above the plastic lip of the filter screen, and gently pull downward.
- ▶ Clean the filter screen, re-insert securely into the cold water inlet fitting, and reconnect the braid steel flex connector to the cold water inlet.

INSTALLATION

Troubleshooting

16. Troubleshooting



WARNING Electrocutation
Never remove or reinstall the water heater's cover unless the electricity servicing the unit is turned off. Failure to do so could result in personal injury or death.



WARNING Electrocutation
To test the water heater using the internal diagnostic lights, it must be connected to the power supply. When testing with the cover off, never touch any part of the water heater. Doing so could result in serious personal injury or death.



Note
When testing the water heater using the diagnostic lights, water must be flowing through the unit.

Diagnostic Lights

	Red	Lights up in the event of an error
	Yellow	Lights up in heating mode/ flashes when output limit reached
	Green	Flashing: Water heater connected to power supply

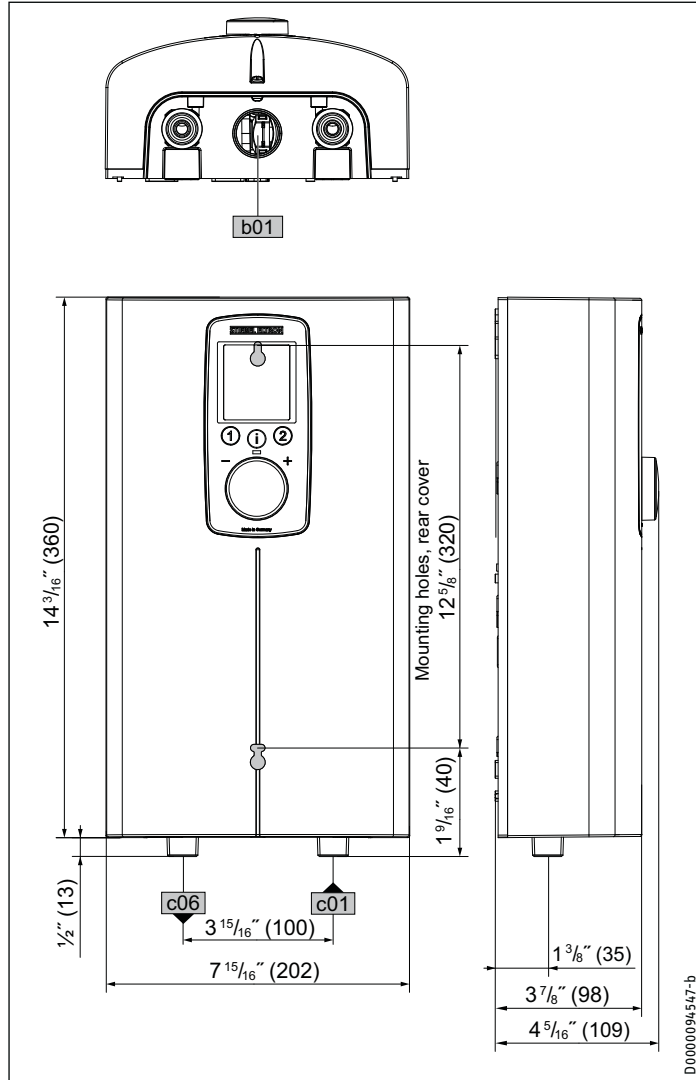
Diagnostic lights	Problem	Cause	Solution
No LED is lit	The water heater does not heat up	There is no power The PCB is faulty	Check to ensure the connected circuit breaker in the main breaker panel hasn't tripped. Reset if necessary Replace the PCB
Green flashing, yellow off, red off	No DHW	The shower head/aerator is scaled up The filter screen in the cold water inlet is dirty The flow sensor is not plugged in The flow sensor is faulty The PCB is faulty	Descale or replace the shower head/aerators if necessary Clean the filter screen Connect the cable to the PCB Replace the flow sensor Replace the PCB
Green flashing, yellow on, red off	The display on the programming unit is off	There is a loose cable between the PCB and the programming unit The cable of the programming unit is faulty The programming unit PCB is faulty The PCB is faulty	Check the cable and plug the cable into the programming unit and/or PCB Check the cable and replace if necessary Replace the programming unit, only available with a new heater cover Replace the PCB
Green flashing, yellow on, red off	The outlet temperature does not match the set value	The programming unit was not plugged in before power was switched on The outlet sensor is faulty The tap is faulty The heating system is faulty The PCB is faulty	Perform a reset by switching off the power to the water heater Replace the outlet sensor Replace the tap Replace the heating system Replace the PCB
Plus models only: Green flashing, yellow flashing, red off	The outlet temperature does not match the set value	Motorized valve limit reached	Reduce the set temperature
Green flashing, yellow off, red on	No DHW	Motorized valve is faulty Air detected	Replace the motorized valve Continue draw-off for >1 minute

Diagnostic lights	Display readout	Problem	Cause	Solution
Green flashing, yellow off, red on	Wrench flashes (displays E1 and wrench in menu "Fault code display")	No DHW	AE3 safety switch not activated during commissioning	Activate AE3 safety switch by pressing the reset button firmly. See section 12.3.1, "Initial AE3 safety switch activation," pg. 19
			AE3 safety switch triggered by self-resetting high limit safety cut-out Klixon	Check high limit safety cut-out Klixon (plug-in connection, connecting cable); activate AE3 safety switch
			AE3 safety switch responds again after high limit safety cut-out Klixon has been checked; high limit safety cut-out faulty Safety switch responds again; PCB faulty	Replace high limit safety cut-out, Klixon; activate AE3 safety switch and draw off water at the maximum set value for >1 min Replace the PCB
	Wrench flashes (displays E2 and wrench in menu "Fault code display")	No DHW	PCB faulty (lead break or short circuit in inlet sensor)	Replace the PCB
	Wrench flashes (displays E3 and wrench in menu "Fault code display")	No DHW	Short circuit in outlet sensor	Check the outlet sensor, replace if necessary

INSTALLATION Specification

17. Specification

17.1 Dimensions and connections



	DHC-E		
b02	Entry electrical cables I		
c01	Cold water inlet	Male thread	1/2" NPT
c06	DHW outlet	Male thread	1/2" NPT

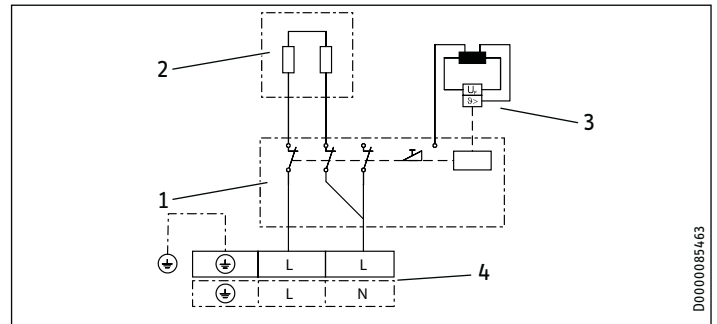
17.2 Wiring diagrams

DHC-E 3/3.5-1 Trend

1/N/GND ~ 120V

DHC-E 4/6-2 Trend

2/GND ~ 208 / 240V

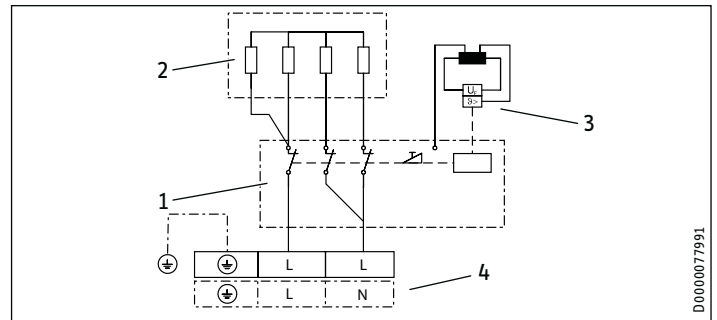


- 1 Power PCB with integral safety switch
- 2 Direct Coil™ heating system
- 3 Self-resetting high limit safety cut-out, Klixon
- 4 Wiring block

DHC-E 8/10-2 Trend & Plus | DHC-E 12/15-2 Trend & Plus

2/GND ~ 208 / 240V

1/N/GND ~ 208 / 240V



- 1 Power PCB with integral safety switch
- 2 Direct Coil™ heating system
- 3 Self-resetting high limit safety cut-out, Klixon
- 4 Wiring block

INSTALLATION Specification

17.3 Hot water output

The domestic hot water (DHW) output is subject to the connected power supply, the water heater's connected load, and the cold water inlet temperature. The rated voltage and rated output can be found on the type plate.

Model	Power output in kW			100 °F DHW output in gpm			
	Rated voltage			Cold water inlet temperature			
	120 V	208 V	240 V	41 °F	50 °F	59 °F	68 °F
DHC-E 3/3.5-1	3.0			0.35	0.41	0.5	0.64
Trend	3.5			0.41	0.48	0.58	0.75
DHC-E 4/6-2		2.9		0.34	0.4	0.48	0.62
Trend		4.5		0.52	0.61	0.75	0.96
			3.8	0.44	0.52	0.63	0.81
			6.0	0.69	0.82	1.0	1.28
DHC-E 8/10-2		5.4		0.63	0.74	0.9	1.15
Trend		7.2		0.83	0.98	1.2	1.54
			7.2	0.83	0.98	1.2	1.54
			9.6	1.11	1.31	1.6	2.05
DHC-E 12/15-2		9.0		1.04	1.23	1.5	1.92
Trend & Plus		10.8		1.24	1.46	1.78	2.28
			12.0	1.39	1.64	2.0	2.56
			14.4	1.67	1.97	2.4	3.07

Model	Power output in kW			122 °F DHW output in gpm			
	Rated voltage			Cold water inlet temperature			
	120 V	208 V	240 V	41 °F	50 °F	59 °F	68 °F
DHC-E 3/3.5-1	3.0			-	0.28	0.33	0.38
Trend	3.5			0.3	0.33	0.38	0.44
DHC-E 4/6-2		2.9		-	0.28	0.31	0.37
Trend		4.5		0.38	0.43	0.49	0.57
			3.8	0.32	0.36	0.41	0.48
			6.0	0.51	0.57	0.65	0.76
DHC-E 8/10-2		5.4		0.46	0.51	0.59	0.68
Trend & Plus		7.2		0.61	0.68	0.78	0.91
			7.2	0.61	0.68	0.78	0.91
			9.6	0.81	0.91	1.04	1.21
DHC-E 12/15-2		9.0		0.76	0.85	0.98	1.14
Trend & Plus		10.8		0.9	1.02	1.16	1.35
			12.0	1.01	1.14	1.3	1.52
			14.4	1.21	1.37	1.56	1.82

Model	Power output in kW			38 °C DHW output in l/min			
	Rated voltage			Cold water inlet temperature			
	120 V	208 V	240 V	5 °C	10 °C	15 °C	20 °C
DHC-E 3/3.5-1	3.0			1.3	1.5	1.9	2.4
Trend	3.5			1.5	1.8	2.2	2.8
DHC-E 4/6-2		2.9		1.3	1.5	1.8	2.3
Trend		4.5		1.9	2.3	2.8	3.6
			3.8	1.7	2.0	2.4	3.0
			6.0	2.6	3.1	3.7	4.8
DHC-E 8/10-2		5.4		2.3	2.8	3.4	4.3
Trend		7.2		3.1	3.7	4.5	5.7
			7.2	3.1	3.7	4.5	5.7
			9.6	4.2	4.9	6.0	7.6
DHC-E 12/15-2		9.0		3.9	4.6	5.6	7.1
Trend & Plus		10.8		4.6	5.5	6.6	8.5
			12.0	5.2	6.1	7.5	9.5
			14.4	6.2	7.3	8.9	11.4

Model	Power output in kW			50 °C DHW output in l/min			
	Rated voltage			Cold water inlet temperature			
	120 V	208 V	240 V	5 °C	10 °C	15 °C	20 °C
DHC-E 3/3.5-1	3.0			1.0	1.1	1.2	1.4
Trend	3.5			1.1	1.3	1.4	1.7
DHC-E 4/6-2		2.9		-	1.1	1.2	1.4
Trend		4.5		1.4	1.6	1.8	2.1
			3.8	1.2	1.4	1.6	1.8
			6.0	1.9	2.1	2.4	2.9
DHC-E 8/10-2		5.4		1.7	1.9	2.2	2.6
Trend & Plus		7.2		2.3	2.6	2.9	3.4
			7.2	2.3	2.6	2.9	3.4
			9.6	3.0	3.4	3.9	4.6
DHC-E 12/15-2		9.0		2.9	3.2	3.7	4.3
Trend & Plus		10.8		3.4	3.8	4.4	5.1
			12.0	3.8	4.3	4.9	5.7
			14.4	4.6	5.1	5.9	6.9

17.4 Application areas/conversion table

Here, data is shown for electrical resistivity and electrical conductivity.

Standard specification at 15 °C		20 °C			25 °C			
Min.	Max.	Min.	Max.	Min.	Max.	Min.	Max.	
resistivity $\rho \geq$	conductivity $\sigma \leq$	resistivity $\rho \geq$	conductivity $\sigma \leq$	resistivity $\rho \geq$	conductivity $\sigma \leq$	resistivity $\rho \geq$	conductivity $\sigma \leq$	
Ωcm	mS/m	$\mu\text{S/cm}$	Ωcm	mS/m	$\mu\text{S/cm}$	Ωcm	mS/m	$\mu\text{S/cm}$
1100	91	910	970	103	1031	895	112	1117

17.4.1 Sizing the pipework

When calculating the size of the pipework, an water heater pressure drop of 14.5 psi (0.1 MPa) is recommended.

17.5 Fault conditions

In the event of a fault, temperatures up to 176 °F (80 °C) at a pressure of 145 psi (1.0 MPa) can occur briefly in the installation.

INSTALLATION Specification

17.6 Data tables

	DHC-E 3/3.5-1 Trend	DHC-E 4/6-2 Trend	
Item no.	200057	200061	
Electrical data			
Phase (50/60 Hz)	1/N/GND	1/N/GND 2/GND	
Rated voltage	120 V	240 V	208 V
Rated output ¹ , jumper position 1 [low] / 2 [high]	3.0 kW / 3.5 kW	3.8 kW / 6.0 kW	2.9 kW / 4.5 kW
Amperage draw, jumper position 1 [low] / 2 [high]	25 A / 29.2 A	15.8 A / 25 A	13.9 A / 21.7 A
Min. recommended circuit breaker size ² , jumper position 1 [low] / 2 [high]	25 A / 30 A	20 A / 25 A	15 A / 25 A
Min recommended wire size ³ (copper), jumper position 1 [low] / 2 [high]	10/2 AWG / 10/2 AWG	12/2 AWG / 10/2 AWG	14/2 AWG / 10/2 AWG
Min. resistivity $\rho_{15} \geq$	1100 Ω cm		
Max. conductivity $\sigma_{15} \leq$	910 μ S/cm		
Connections			
Water connections	1/2" NPT		
Application limits			
Maximum permissible pressure	145 psi (1 MPa)		
Maximum inlet temperature for reheating	131 °F (55 °C)		
Maximum inlet temperature	149 °F (65 °C)		
User selectable temperature range	68–140 °F (20–60 °C)		
Internal anti-scalding protection temperature limiter values	100/109/122/140 °F (38/43/50/60 °C)		
Hydraulic data			
Minimum water flow to activate unit	0.264 gal (1.0 l/min)		
Nominal water volume	0.07 gal (0.277 l)		
Other			
Type of installation	Over-sink/under-sink		
Protection class	1		
Insulating block	Glass-reinforced polyamide		
Heating system	Direct Coil		
Cover and back panel	Plastic		
Color	White		
Dimensions			
Height	14 ¹ / ₈ " (360 mm)		
Width	8" (202 mm)		
Depth	4 ⁵ / ₁₆ " (109 mm)		
Weights			
Weight	5.5 lbs (2.5 kg)		

DHC-E 3/3.5-1 Trend ships with a 0.5 gpm (1.9 l/min) pressure compensating flow-reducer/aerator that must be installed.

DHC-E 4/6-2 Trend ships with 2 x 0.5 gpm (1.9 l/min) and a 1.0 gpm (3.8 l/min) pressure compensating flow-reducer/aerator that must be installed. See section 11.3, "Aerator installation at connected faucet," pg. 17 for more information.

¹ Factory default setting is jumper position 2 [high]

² Overcurrent protection sized at 100% of load. Tankless water heaters are considered a non-continuous load. Use only GFCI Class A circuit breakers.

³ Copper conductors with a temperature rating of 75 °C or greater must be used. Conductors should be sized to maintain a voltage drop of less than 3% under load.

These are our recommendations. Check local codes for compliance if necessary.

INSTALLATION

Specification

	DHC-E 8/10-2 Trend DHC-E 8/10-2 Plus	DHC-E 12/15-2 Trend DHC-E 12/15-2 Plus
Item no.	200058 (Trend) 202145 (Plus)	200059 (Trend) 200056 (Plus)
Electrical data		
Phase (50/60 Hz)	1/N/GND 2/GND	
Rated voltage	240 V	208 V
Rated output ¹ , jumper position 1 [low] / 2 [high]	7.2 kW / 9.6 kW	5.4 kW / 7.2 kW
Amperage draw, jumper position 1 [low] / 2 [high]	30 A / 40 A	26 A / 34.6 A
Min. recommended circuit breaker size ² , jumper position 1 [low] / 2 [high]	30 A / 40 A	30 A / 35 A
Min recommended wire size ³ (copper), jumper position 1 [low] / 2 [high]	10/2 AWG / 8/2 AWG	10/2 AWG / 8/2 AWG
Min. resistivity $\rho_{15} \geq$	1100 Ω cm	
Max. conductivity $\sigma_{15} \leq$	910 μ S/cm	
Connections		
Water connections	1/2" NPT	
Application limits		
Maximum permissible pressure	145 psi (1 MPa)	
Maximum inlet temperature for reheating	131 °F (55 °C)	
Maximum inlet temperature	149 °F (65 °C)	
User selectable temperature range	68–140 °F (20–60 °C)	
Internal anti-scalding protection temperature limiter values	100, 109, 122, 140 °F (38, 43, 50, 60 °C)	
Hydraulic data		
Minimum water flow to activate unit	0.264 gal (1.0 l/min)	
Nominal water volume	0.07 gal (0.277 l)	
Other		
Type of installation	Over-sink/under-sink	
Protection class	1	
Insulating block	Glass-reinforced polyamide	
Heating system	Direct Coil	
Cover and back panel	Plastic	
Color	White	
Dimensions		
Height	14 1/8" (360 mm)	
Width	8" (202 mm)	
Depth	4 5/16" (109 mm)	
Weights		
Weight	5.5 lbs (2.5 kg)	

¹ Factory default setting is jumper position 2 [high]

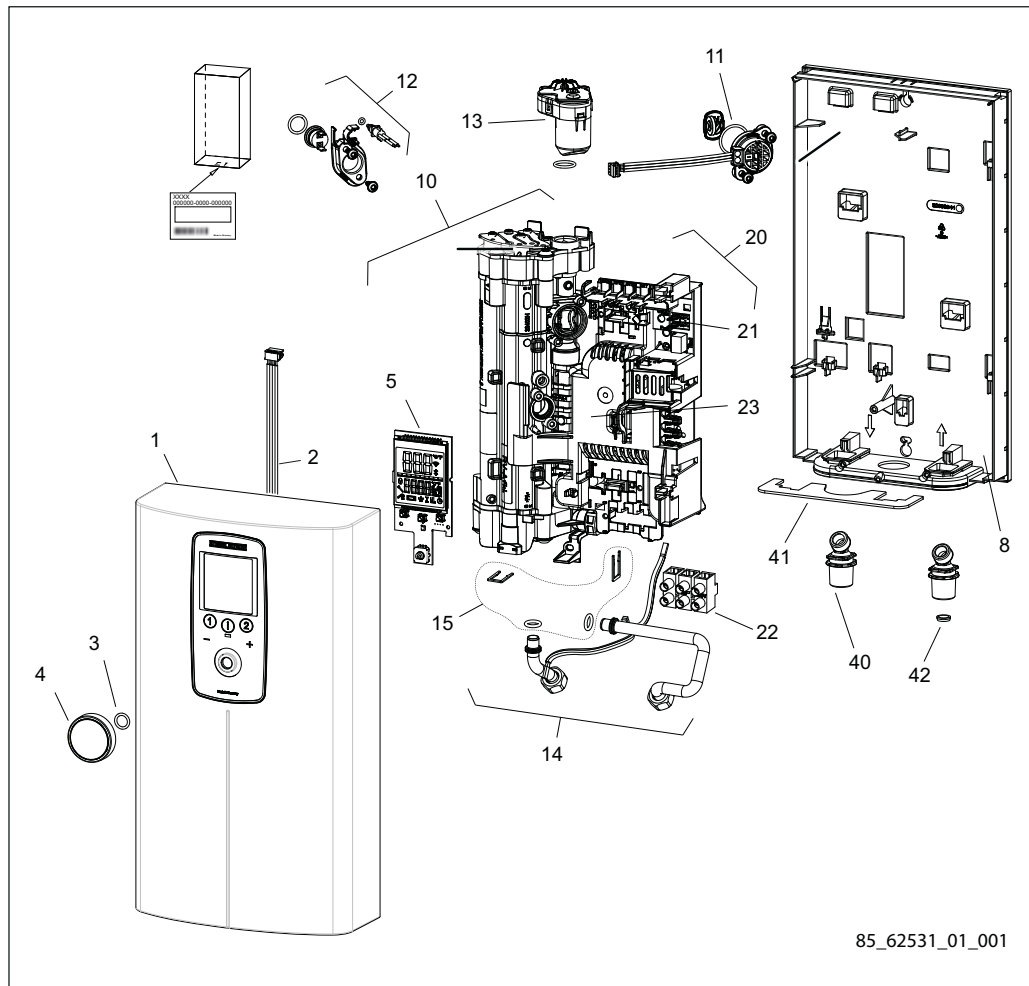
² Overcurrent protection sized at 100% of load. Tankless water heaters are considered a non-continuous load. Use only GFCI Class A circuit breakers.

³ Copper conductors with a temperature rating of 75 °C or greater must be used. Conductors should be sized to maintain a voltage drop of less than 3% under load.

These are our recommendations. Check local codes for compliance if necessary.

18. Spare parts

No.	Spare part	DHC-E 3/3.5-1 Trend	DHC-E 4/6-2 Trend	DHC-E 8/10-2 Trend	DHC-E 8/10-2 Plus	DHC-E 12/15-2 Trend	DHC-E 12/15-2 Plus
1	Housing (front)	348146	348146	348146	348145	348146	348145
2	PCB connection cable	158010	158010	158010	158010	158010	158010
3	O-Ring 9.5x2 EPDM	269351	269351	269351	269351	269351	269351
4	Control knob	323686	323686	323686	323686	323686	323686
5	LCD display	332991	332991	332991	332992	332991	332992
8	Housing (back)	348143	348143	348143	348143	348143	348143
10	Heating system	344153	344154	344152	344149	344150	344147
11	Flow sensor	339979	339979	339979	339979	339979	339979
12	Self-resetting high limit safety cut-out, Klixon, with outlet sensor	340528	340528	340528	340528	340528	340528
13	Motorized valve	-	-	-	220502	-	220502
14	Pipe elbow set	340542	340542	340542	340542	340542	340542
15	Pipe elbow connection set (includes clips and gaskets)	320540	320540	320540	320540	320540	320540
20	PCB electronic board	344144	344145	344143	344140	344141	344138
21	Jumper plug (red)	283455	283455	283455	283455	283455	283455
22	Wiring block	326655	326655	326655	326655	326655	326655
23	Electronics cover	344146	344146	344146	344146	344146	344146
40	Water connection fittings (2) - 1/2" NPT / G3/8"	326589	326589	326589	326589	326589	326589
41	Locking sheet	326234	326234	326234	326234	326234	326234
42	Filter screen	275981	275981	275981	275981	275981	275981



19. Warranty

Subject to the terms and conditions set forth in this limited warranty, Stiebel Eltron, Inc. (the "Manufacturer") hereby warrants to the original purchaser (the "Owner") that each Tankless Electric Domestic Hot Water Heater (the "Heater") shall not (i) leak due to defects in the Manufacturer's materials or workmanship for a period of ten (10) years from the date of purchase or (ii) fail due to defects in the Manufacturer's materials or workmanship for a period of three (3) years from the date of purchase. As Owner's sole and exclusive remedy for breach of the above warranty, Manufacturer shall, at the Manufacturer's discretion, send replacement parts for local repair; retrieve the unit for factory repair, or replace the defective Heater with a replacement unit with comparable operating features. Manufacturer's maximum liability under all circumstances shall be limited to the Owner's purchase price for the Heater.

This limited warranty shall be the exclusive warranty made by the Manufacturer and is made in lieu of all other warranties, express or implied, whether written or oral, including, but not limited to warranties of merchantability and fitness for a particular purpose. Manufacturer shall not be liable for incidental, consequential or contingent damages or expenses arising directly or indirectly from any defect in the Heater or the use of the Heater. Manufacturer shall not be liable for any water damage or other damage to property of Owner arising, directly or indirectly, from any defect in the Heater or the use of the Heater. Manufacturer alone is authorized to make all warranties on Manufacturer's behalf and no statement, warranty or guarantee made by any other party shall be binding on Manufacturer.

Manufacturer shall not be liable for any damage whatsoever relating to or caused by:

1. any misuse or neglect of the Heater, any accident to the Heater, any alteration of the Heater, or any other unintended use;
2. acts of God and circumstances over which Manufacturer has no control;

3. installation of the Heater other than as directed by Manufacturer and other than in accordance with applicable building codes;
4. failure to maintain the Heater or to operate the Heater in accordance with the Manufacturer's specifications;
5. operation of the Heater under fluctuating water pressure or in the event the Heater is supplied with non-potable water, for any duration;
6. improper installation and/or improper materials used by any installer and not relating to defects in parts or workmanship of Manufacturer;
7. moving the Heater from its original place of installation;
8. exposure to freezing conditions;
9. water quality issues such as corrosive water, hard water, and water contaminated with pollutants or additives;

Should owner wish to return the Heater to manufacturer for repair or replacement under this warranty, Owner must first secure written authorization from Manufacturer. Owner shall demonstrate proof of purchase, including a purchase date, and shall be responsible for all removal and transportation costs. If Owner cannot demonstrate a purchase date this warranty shall be limited to the period beginning from the date of manufacture stamped on the Heater. Manufacturer reserves the right to deny warranty coverage upon Manufacturer's examination of Heater. This warranty is restricted to the Owner and cannot be assigned.

Some States and Provinces do not allow the exclusion or limitation of certain warranties. In such cases, the limitations set forth herein may not apply to the Owner. In such cases this warranty shall be limited to the shortest period and lowest damage amounts allowed by law. This warranty gives you specific legal rights and you may also have other rights which vary from State to State or Province to Province.

Owner shall be responsible for all labor and other charges incurred in the removal or repair of the Heater in the field. Please also note that the Heater must be installed in such a manner that if any leak does occur, the flow of water from any leak will not damage the area in which it is installed.



The installation, electrical connection and first operation of this appliance should be carried out by a qualified installer.



The company does not accept liability for failure of any goods supplied which have not been installed and operated in accordance with the manufacturer's instructions.

Environment and recycling

Please help us to protect the environment by disposing of the packaging in accordance with the national regulations for waste processing.

This Warranty is valid for U.S.A. & Canada only. Warranties may vary by country. Please consult your local Stiebel Eltron Representative for the Warranty for your country.

TABLA DE CONTENIDO

GUÍA RÁPIDA DE INICIO

INFORMACIÓN ESPECIAL

FUNCIONAMIENTO

1. Información general	32
1.1 Instrucciones de seguridad	32
1.2 Otros símbolos que aparecen en esta documentación	32
1.3 Unidades de medida	32
2. Seguridad	32
2.1 Uso correcto	32
2.2 Instrucciones generales de seguridad	32
2.3 Símbolos de prueba	33
2.4 Licencias/certificados	33
3. Registre su producto	33
4. Descripción del calentador de agua	34
5. Configuraciones y pantallas	34
5.1 Interfaz de usuario de DHC-E Trend	34
5.2 Interfaz de usuario del DHC-E Plus	35
5.3 Utilización de la pantalla	35
5.4 Pantalla del DHC-E Trend	36
5.5 Pantalla del DHC-E Plus	37
5.6 Opciones de temperatura preestablecida	40
5.7 Menú de error	40
5.8 Retorno a la pantalla base	41
5.9 Configuraciones recomendadas	41
6. Limpieza, cuidado y mantenimiento	41
7. Resolución de problemas	41

INSTALACIÓN

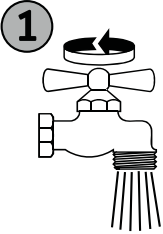
8. Seguridad	42
8.1 Instrucciones generales de seguridad	42
8.2 Instrucciones, normas y regulaciones	42
9. Descripción del calentador de agua	42
9.1 Entrega común	42
10. Preparativos	42
10.1 Lugar de instalación	42
10.2 Espacios libres mínimos	43
11. Instalación	43
11.1 Instalación estándar en la pared	43
11.2 Conexiones de agua	44
11.3 Instalación del aireador en el grifo conectado	45
11.4 Conexión eléctrica	45
11.5 Conexión eléctrica con un cable de alimentación corto	46
11.6 Bloque de cableado	46
12. Puesta en marcha	46
12.1 Protección interna anti-escaldadura a través de la ranura de puente	46
12.2 Cambiar la salida de potencia a través de la ranura del puente	46
12.3 Puesta en marcha inicial	47
12.4 Operación con agua precalentada	48
12.5 Reinicio	48

13. Apagado del calentador de agua	48
14. Información para servicio técnico	49
15. Mantenimiento	49
15.1 Drenaje del calentador de agua	49
15.2 Limpieza de la malla del filtro	49
16. Resolución de problemas	51
17. Especificación	52
17.1 Dimensiones y conexiones	52
17.2 Diagramas de cableado	52
17.3 Salida del ACS	53
17.4 Áreas de aplicación/tabla de conversión	53
17.5 Condiciones de falla	53
17.6 Tablas de datos	54
18. Repuestos	56
19. Garantía	57

GUÍA RÁPIDA DE INICIO


Antes de encender el calentador de agua, DEBE eliminar todo el aire del sistema y luego activar el interruptor de seguridad AE3. La unidad NO funcionará hasta el interruptor de seguridad AE3 no se encuentre activado.

- 1 Monte la unidad en la pared (Consulte la sección 11.1, “Instalación estándar en la pared”, pág. 43).
- 2 Conecte las conexiones de agua (Consulte la sección 11.2, “Conexiones de agua”, pág. 44).
- 3 Conecte las conexiones eléctricas, pero mantenga el interruptor apagado. (Consulte la sección 11.4, “Conexión eléctrica”, pág. 45)

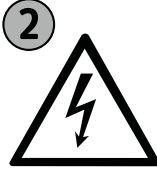


1

Abra el
grifo



≥ 3 min.

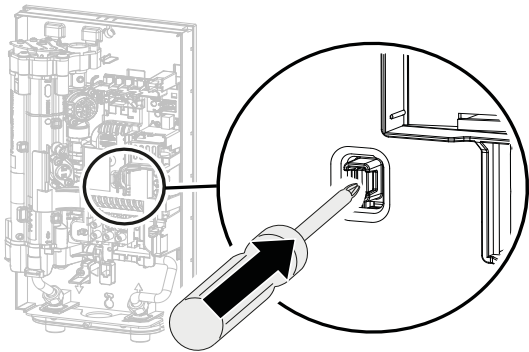


2

Encienda la
fuente de
alimentación.

D0000053277

- 4 Abra y cierre todas las válvulas de salida conectadas al menos 5 veces, durante al menos 3 minutos en total, hasta que se haya purgado todo el aire de la tubería y el calentador de agua.
- 5 Asegúrese de que no haya fugas de agua en ninguna conexión de plomería.



D0000094561-b

- 6 **Active el interruptor de seguridad AE3 presionando firmemente el botón blanco de reinicio hasta que haga clic y se bloquee en su lugar** (el calentador de agua se entrega con el interruptor de seguridad desactivado).
- 7 Encienda el calentador de agua accionando el interruptor del panel de interruptores.

INFORMACIÓN ESPECIAL

- Lea todo este manual. El incumplimiento de todas las guías, instrucciones y normas puede causar lesiones personales o daños a la propiedad. La instalación, el ajuste, la alteración, el servicio y el uso incorrectos de esta unidad pueden provocar lesiones graves.
 - Esta unidad debe ser instalada por un electricista y plomero autorizado. La instalación debe cumplir con todos los códigos de plomería y electricidad nacionales, estatales y locales. La instalación correcta es responsabilidad del instalador. El incumplimiento de las instrucciones de instalación y funcionamiento o el uso incorrecto anulan la garantía.
 - Guarde estas instrucciones para referencia futura. El instalador debe dejar estas instrucciones al consumidor.
 - Si tiene alguna consulta con respecto a la instalación, el uso o el funcionamiento de este calentador de agua, o si necesita manuales de instalación adicionales, comuníquese con nuestra línea de servicio técnico al 800.582.8423 (solo para EE.UU. y Canadá). Si llama desde fuera de EE.UU. o Canadá, llame al número 413.247.3380 de EE.UU. y lo derivaremos a un asesor calificado de servicio de Stiebel Eltron dentro de su área.
 - El calentador de agua es adecuado para suministrar una ducha en muchos climas (funcionamiento de la ducha). Si el calentador de agua se utiliza también o exclusivamente para el funcionamiento de la ducha, el contratista cualificado debe ajustar el rango de ajuste de la temperatura a 122 °F (50 °C) o menos utilizando la protección interna antiquemaduras del calentador de agua. Cuando se utilice agua precalentada, debe asegurarse de que la temperatura de entrada no supere los 131 °F (55 °C).
 - El voltaje especificado debe coincidir con la fuente de alimentación. Consulte la placa de identificación en el lado derecho del calentador de agua.
 - Asegúrese de que el calentador de agua pueda separarse de la fuente de alimentación mediante un disyuntor que desconecte todos los polos con una separación de contacto de al menos 1/8 pulg. (3 mm).
 - PRECAUCIÓN: NO INSTALE EL CALENTADOR DENTRO DE UNA MAMPARA DE BAÑO O MAMPARA DE DUCHA NI LO CONECTE A UN ABLANDADOR DE AGUA DE SAL REGENERANTE O A UN SUMINISTRO DE AGUA SALADA.
- PARA USO EN UN CIRCUITO DE RAMA INDIVIDUAL SOLAMENTE
- PRECAUCIÓN: CONECTAR SOLO A UN CIRCUITO PROTEGIDO POR UN INTERRUPTOR DIFERENCIAL CLASE A USE SÓLO CONDUCTORES DE COBRE
- USE EL CONDUCTOR DE UNIÓN ADECUADO SEGÚN EL CÓDIGO ELÉCTRICO CANADIENSE, PARTE I
- El calentador de agua debe estar correctamente conectado a tierra. Consulte la sección 17.2, “Diagramas de cableado”, pág. 52.
 - El calentador de agua debe estar conectado permanentemente a un cableado fijo. Solo se debe usar en un circuito derivado individual. Consulte la sección 17.2, “Diagramas de cableado”, pág. 52.
 - Asegure el calentador de agua como se describe en el capítulo 11, “Instalación”, pág. 43.
 - Respete la presión mínima permitida de 26.1 psi (1.8 bar). Consulte la sección 17.6, “Tablas de datos”, pág. 54.
 - Respete la presión mínima permitida de 145 psi (10 bar). Consulte la sección 17.6, “Tablas de datos”, pág. 54.
 - Drene el calentador de agua como se describe en la sección 15.1, “Drenaje del calentador de agua”, pág. 49.

FUNCIONAMIENTO

1. Información general

Los capítulos “Información especial” y “Funcionamiento” están destinados tanto a usuarios como a técnicos calificados.

El capítulo “Instalación” está destinado a técnicos calificados.



Nota

Lea estas instrucciones con detenimiento antes de usar el calentador de agua y consérvelas para referencia futura. Si es necesario, pase las instrucciones a un nuevo usuario.

1.1 Instrucciones de seguridad

1.1.1 Estructura de las instrucciones de seguridad



PALABRA CLAVE Tipo de riesgo
A continuación, se enumeran las posibles consecuencias que pueden resultar del incumplimiento de las instrucciones de seguridad.

► Se indica cómo prevenir el riesgo.

1.1.2 Símbolos y tipos de riesgo

Símbolo	Tipo de riesgo
	Lesiones
	Electrocución
	Quemaduras (quemaduras, escaldaduras)

1.1.3 Palabras clave

PALABRA CLAVE	Significado
PELIGRO	El incumplimiento de esta información provocará lesiones graves o la muerte.
ADVERTENCIA	El incumplimiento de esta información puede provocar lesiones graves o la muerte.
PRECAUCIÓN	El incumplimiento de esta información puede provocar lesiones no graves o leves.

1.2 Otros símbolos que aparecen en esta documentación



Nota

La información general se identifica con el símbolo adyacente.

► Lea estos textos cuidadosamente.

Símbolo	Significado
	Pérdidas materiales (Daño del calentador de agua, pérdidas indirectas y contaminación ambiental)
	Eliminación del aparato

► Este símbolo indica que usted tiene que hacer algo. La acción que debe realizar se describe paso a paso.

1.3 Unidades de medida



Nota

Todas las medidas se dan en pulgadas (milímetros), a menos que se indique lo contrario.

2. Seguridad

2.1 Uso correcto

Este calentador de agua es adecuado para calentar agua caliente doméstica o para recalentar agua precalentada. El calentador de agua puede suministrar uno o más puntos de extracción.

El agua no se recalentará si se supera la temperatura máxima de entrada para el recalentamiento.

El calentador de agua está destinado al uso doméstico. Puede ser utilizado con seguridad por personas no capacitadas. El calentador de agua también puede utilizarse en entornos no domésticos, por ejemplo en pequeñas empresas, siempre que se utilice de la misma manera.

Cualquier otro uso más allá del descrito se considerará inapropiado. La observación de estas instrucciones y de las instrucciones de cualquier accesorio utilizado también forma parte del uso correcto de este calentador de agua.

2.2 Instrucciones generales de seguridad



PELIGRO Quemaduras

Las temperaturas de agua superiores a 125 °F (52 °C) pueden causar quemaduras graves al instante o muerte por quemadura. Si el puente del calentador de agua está demasiado alto, puede causar quemaduras. Si en su hogar hay niños pequeños o personas mayores o discapacitadas, puede ajustar el puente a 110 °F (43 °C) o menos para evitar posibles lesiones por agua caliente.



PRECAUCIÓN Quemaduras

Si funciona con agua precalentada, por ejemplo, de un sistema térmico solar, la temperatura del agua caliente sanitaria (ACS) puede variar de la temperatura establecida.



PRECAUCIÓN Quemaduras

Durante el funcionamiento, el grifo puede alcanzar temperaturas de hasta 149 °F (65 °C). Existe riesgo de quemaduras cuando la temperatura del agua que sale supera los 110 °F (43 °C).



PELIGRO Lesiones

Por favor lea y siga estas instrucciones. El incumplimiento de estas instrucciones puede provocar lesiones personales graves o la muerte.



PRECAUCIÓN: NO INSTALE EL CALENTADOR DENTRO DE UNA MAMPARA DE BAÑO O MAMPARA DE DUCHA NI LO CONECTE A UN ABLANDADOR DE AGUA DE SAL REGENERANTE O A UN SUMINISTRO DE AGUA SALADA.

PARA USO EN UN CIRCUITO DE RAMA INDIVIDUAL SOLAMENTE

PRECAUCIÓN: CONECTAR SOLO A UN CIRCUITO PROTEGIDO POR UN INTERRUPTOR DIFERENCIAL CLASE A USE SÓLO CONDUCTORES DE COBRE

USE EL CONDUCTOR DE UNIÓN ADECUADO SEGÚN EL CÓDIGO ELÉCTRICO CANADIENSE, PARTE I



PELIGRO ELECTROCUCIÓN

ANTES DE PROCEDER CON CUALQUIER INSTALACIÓN, AJUSTE, ALTERACIÓN O SERVICIO TÉCNICO DE ESTE APARATO, TODOS LOS DISYUNTORES E INTERRUPTORES DE CONEXIÓN QUE LO ALIMENTAN DEBEN ESTAR APAGADOS. DE LO CONTRARIO, PODRÍAN PRODUCIRSE LESIONES PERSONALES GRAVES O LA MUERTE.



ADVERTENCIA ELECTROCUCIÓN

NUNCA quite ni vuelva a colocar la cubierta del calentador de agua sin desconectar la electricidad. De lo contrario, podrían producirse lesiones personales graves o la muerte.



ADVERTENCIA Electrocución

La conexión a la fuente de alimentación sólo está permitida como conexión permanente en conjunción con una pinza Romex 3/4 pulg. Asegúrese de que el calentador de agua puede ser separado de la fuente de alimentación por un aislante que desconecte todos los polos con al menos 1/8 pulg. (3 mm) de separación de contactos.



DAÑOS AL CALENTADOR DE AGUA Y AL MEDIO AMBIENTE:

El calentador de agua debe ser instalado por un electricista y un plomero con licencia. La instalación debe cumplir con todos los códigos nacionales, estatales y locales de plomería y electricidad.

El servicio del calentador de agua debe ser realizado por técnicos de servicio cualificados.



DAÑOS AL CALENTADOR DE AGUA Y AL MEDIO AMBIENTE:

Este aparato debe estar alimentado por un sistema conectado a tierra. Se proporciona un terminal verde (o un conector de cable marcado “G”, “GR”, “GROUND” O “GROUNDING”) para el cableado del aparato. Para reducir el riesgo de descarga eléctrica, conecte este terminal o conector al terminal de conexión a tierra del servicio eléctrico o al panel de suministro a través de un cable de cobre continuo que cumpla con lo estipulado en el código de instalación eléctrica.



ADVERTENCIA Lesiones

Cuando se permita a niños o personas con capacidades físicas, sensoriales o mentales limitadas controlar este calentador de agua, asegúrese de que esto sólo se haga bajo supervisión o tras las instrucciones apropiadas de una persona responsable de su seguridad. Los niños deben ser supervisados para asegurar que nunca jueguen con el calentador de agua.

En los casos en que se permita a los niños o a las personas con capacidades físicas, sensoriales o mentales limitadas utilizar este calentador de agua, recomendamos un límite de temperatura permanente. Las siguientes opciones de limitación están disponibles:

- Ajustable por el usuario: Límite de temperatura (a prueba de niños)
- Contratista calificado ajustable: “Protección interna anti-escaldadura”



Pérdidas materiales

El usuario debe proteger el calentador de agua de la escarcha.

2.3 Símbolos de prueba

Consulte la placa de identificación del calentador de agua.

2.4 Licencias/certificados

- UL (EE.UU.) Std. 499
- CSA (Canadá) Std. C22.2 No. 64

3. Registre su producto



Debe registrar este producto en un plazo de 90 días a partir de la fecha de compra en nuestro sitio web para activar la garantía estándar. Vaya a nuestro sitio web en www.stiebel-eltron-usa.com y haga clic en “Registre su producto” (Register Your Product).

Antes de comenzar el proceso de registro, le sugerimos que recopile la siguiente información que necesitará:

Tipo, ejemplo: DHC 4/6-2 Trend (de la etiqueta que está en la unidad)

Descripción del calentador de agua

El número que aparece después de “No.”

Lugar de compra

Fecha de compra

Nombre y apellido

Dirección de correo electrónico

Dirección postal

Número de teléfono

Fecha de instalación

Si tiene alguna pregunta en relación con el proceso de registro o con las opciones de garantía, por favor, póngase en contacto directamente con Stiebel Eltron USA en el número de teléfono (800)-582-8423.

4. Descripción del calentador de agua

El calentador de agua se enciende automáticamente tan pronto como se abre una válvula de agua caliente en un grifo u otro punto de extracción. El DHC-E calienta el agua a medida que fluye por la unidad. Cuando se cierra el grifo, el calentador de agua se apaga automáticamente.

A partir del caudal de activación, la unidad de control electrónico regula la salida de calefacción correcta utilizando sólo la cantidad mínima de potencia necesaria, en función de la temperatura seleccionada y la temperatura actual del agua fría entrante.

El DHC-E Trend y el DHC-E Plus son calentadores de agua sin tanque controlados electrónicamente y mantienen una temperatura de salida constante. Esto es independiente de la temperatura del agua de entrada, hasta la máxima salida del calentador de agua.

Los modelos DHC-E Plus cuentan con Control de Flujo Avanzado™, una tecnología patentada por Stiebel Eltron en Alemania (patente no. DE 3805441 C2). Cuando se alcanza la salida máxima de un modelo DHC-E Plus, en lugar de desviarse de la temperatura de consigna y suministrar agua más fría, los modelos DHC-E Plus utilizan una válvula motorizada controlada electrónicamente para reducir ligeramente el flujo de agua sólo lo necesario para mantener la temperatura seleccionada por el usuario. Cuando la demanda puede satisfacerse plenamente de nuevo, la válvula motorizada regresa a la posición completamente abierta, permitiendo el flujo completo. Esto asegura un confort ininterrumpido, y agua caliente a la temperatura deseada en todo momento.

Si el calentador de agua funciona con agua precalentada, y la temperatura de entrada supera la temperatura establecida seleccionada, la temperatura de entrada se mostrará en la segunda fila de la pantalla (sólo en los modelos DHC-E Plus) y parpadeará. El agua no se calienta más.

Los modelos DHC-E están equipados con funciones para limitar permanentemente la temperatura (protección infantil).

La retroiluminación de la pantalla se enciende automáticamente en cuanto el agua fluye por la unidad, o si se realiza un cambio en la interfaz de usuario. La retroiluminación se apaga automáticamente si no se realizan cambios durante 30 segundos, o 5 segundos después de que el agua caliente deja de ser extraída.

Los modelos DHC-E permiten al usuario guardar diferentes temperaturas preestablecidas y aplicarlas rápidamente.

Los modelos DHC-E Plus también ofrecen una pantalla de 2 filas más profunda con funciones mejoradas. El modelo DHC-E Trend tiene una pantalla de una sola fila y un conjunto de funciones más básicas para el usuario.

Temperatura del agua caliente sanitaria (ACS)

La temperatura de salida del agua caliente se puede ajustar de forma variable entre 68-140 °F (20-60 °C). Se muestra la temperatura seleccionada.

Sistema de calefacción

El sistema de calentamiento en espiral está compuesto por una cámara de calentamiento de poliamida reforzada con vidrio y probada a presión, con una bobina de calentamiento directo de alambre de níquel. Es adecuado para zonas de aguas duras y blandas y es en gran medida insensible a la acumulación de incrustaciones. El sistema de calentamiento en espiral garantiza una producción rápida y eficiente de agua caliente.

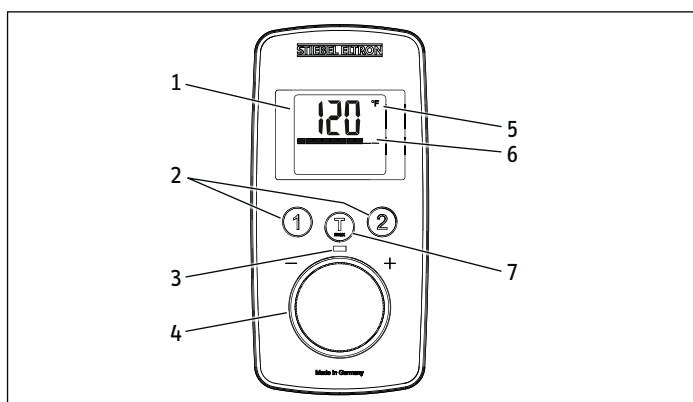


Nota

El calentador de agua está equipado con un detector de aire que evita el daño al sistema de calentamiento. Si, durante el funcionamiento, ingresa aire al calentador de agua, el calentador de agua apagará la salida de calor durante un minuto para proteger el sistema de calentamiento.

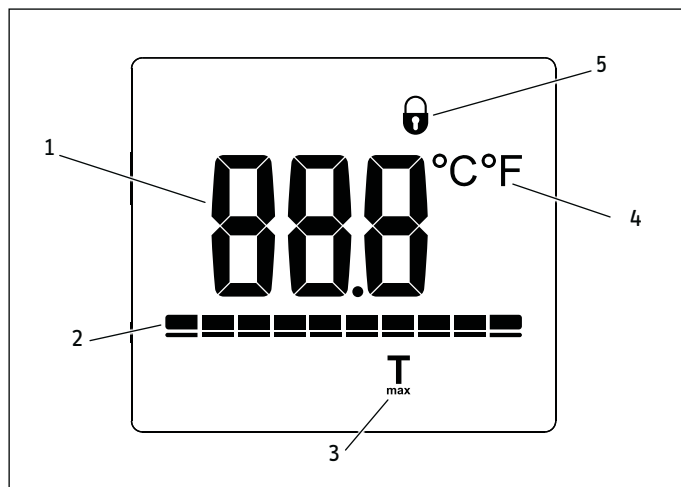
5. Configuraciones y pantallas

5.1 Interfaz de usuario de DHC-E Trend



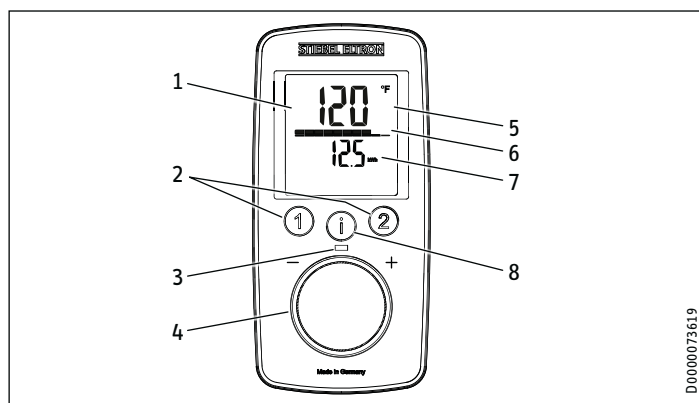
- 1 Pantalla con luz de fondo
- 2 Teclas de memoria de temperatura
- 3 LED de funcionamiento (parpadea cuando se alcanza el límite de salida)
- 4 Perilla de control
- 5 Pantalla principal | pantalla de información | pantalla de parámetros
- 6 Pantalla de segmentos [10-100%]
- 7 Botón “T_{max}”

5.1.1 Generalidades de la pantalla del DHC-E Trend



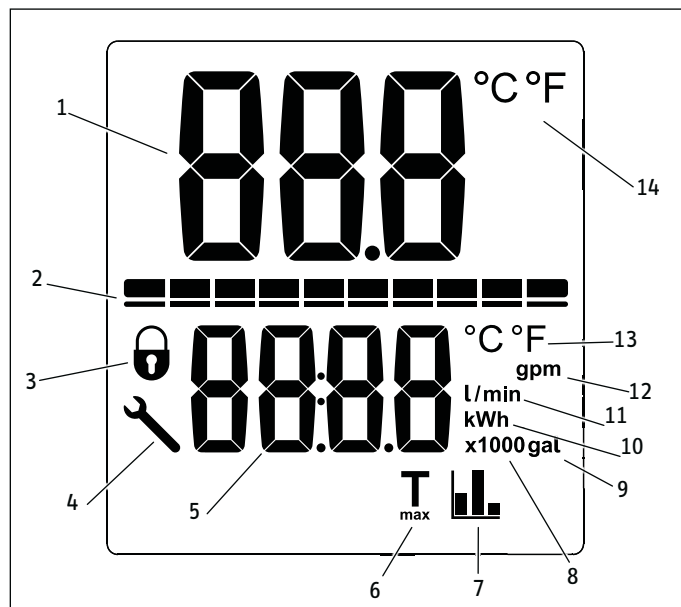
- 1 Pantalla de dígitos
- 2 Estado de la capacidad de energía
- 3 Indicador T_{max}
- 4 Indicador de la unidad de temperatura
- 5 Indicador de bloqueo de la pantalla

5.2 Interfaz de usuario del DHC-E Plus



- 1 Pantalla con luz de fondo
- 2 Botones de memoria de temperatura
- 3 LED de funcionamiento (parpadea cuando se alcanza el límite de salida)
- 4 Perilla de control
- 5 Pantalla principal | pantalla de información | pantalla de parámetros
- 6 Pantalla de segmentos [10-100%]
- 7 Segunda fila de la pantalla (sólo DHC-E Plus)
- 8 Botón "i" para recuperar la información y seleccionar los menús

5.2.1 Generalidades de la pantalla del DHC-E Plus



- 1 Pantalla de dígitos primarios
- 2 Estado de la capacidad de energía
- 3 Indicador de bloqueo de la pantalla
- 4 Símbolo de código de error
- 5 Pantalla de dígitos secundarios
- 6 Indicador T_{max}
- 7 Indicador de estadísticas de ahorro
- 8 x1000 valor de la pantalla secundaria
- 9 Galones de la unidad de pantalla secundaria
- 10 kWh unidad de pantalla secundaria
- 11 Litros y litros por minuto de la pantalla secundaria
- 12 Unidad de pantalla secundaria de galones por minuto
- 13 Unidad de temperatura para la pantalla secundaria
- 14 Unidad de temperatura para la pantalla principal

5.3 Utilización de la pantalla

El DHC-E Trend y el DHC-E Plus presentan una pantalla interactiva que permite la personalización para aumentar el nivel de comodidad del usuario.

La estructura del menú está diseñada de forma intuitiva y lineal para que sea lo más navegable posible.

5.3.1 Entrada del usuario del DHC-E Trend

Entrada del usuario



Botón T_{max} (presionar o mantener presionado este botón realiza diferentes funciones)

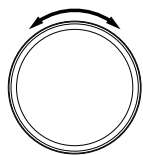


Botón de preselección 1 (presionar o mantener presionado este botón realiza diferentes funciones)



Botón de preselección 2 (presionar o mantener presionado este botón realiza diferentes funciones)

Entrada del usuario



Perilla de control (gire la perilla para cambiar la configuración)

5.3.2 Entrada del usuario del DHC-E Plus

Entrada del usuario



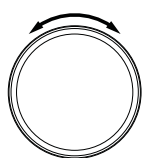
Botón de información (presionar o mantener presionado este botón realiza diferentes funciones)



Botón de preselección 1 (presionar o mantener presionado este botón realiza diferentes funciones)



Botón de preselección 2 (presionar o mantener presionado este botón realiza diferentes funciones)



Perilla de control (gire la perilla para cambiar la configuración)

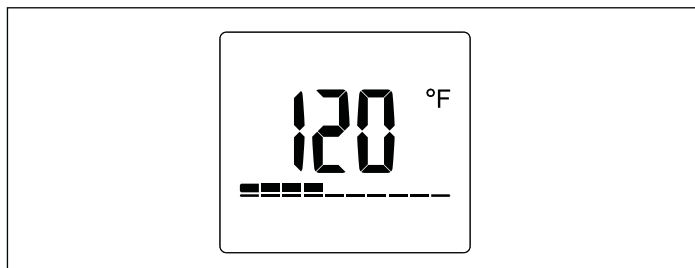
5.4 Pantalla del DHC-E Trend

La pantalla del DHC-E Trend tiene una pantalla de temperatura y capacidad de potencia. La pantalla está retroiluminada y se iluminará siempre que se detecte una entrada del usuario. La luz de fondo se apagará y desactivará si no se detecta ninguna entrada del usuario durante 30 segundos.

Para el nombre de cada elemento de la pantalla del DHC-E Trend, consulte la sección 5.1.1, "Generalidades de la pantalla del DHC-E Trend", pág. 35.

5.4.1 Pantalla base

La pantalla base señala el valor nominal de temperatura actual en su unidad de temperatura preferida, en la parte superior de la pantalla. La barra que se encuentra debajo de la temperatura indica la fracción en curso de la capacidad total a la que funciona el calentador de agua. A medida que la demanda de agua fluctúa, el estado de capacidad de potencia se modifica e indica de 0 a 10 segmentos. La siguiente pantalla señala que el calentador de agua funciona al 40 % de su capacidad.



El resto de las visualizaciones del menú volverán a la pantalla base luego de un período de 15 segundos sin recibir datos de entrada por parte del usuario o luego de mantener pulsado el botón de información por 5 segundos.

Cambiar la temperatura de consigna

Ajustes de temperatura

Rango	Incremento	Rango	Incremento
68-140 °F	1 °F	20-60 °C.	0.5 °C

La temperatura de consigna puede ajustarse entre 68 °F (20 °C) y 140 °F (60 °C).

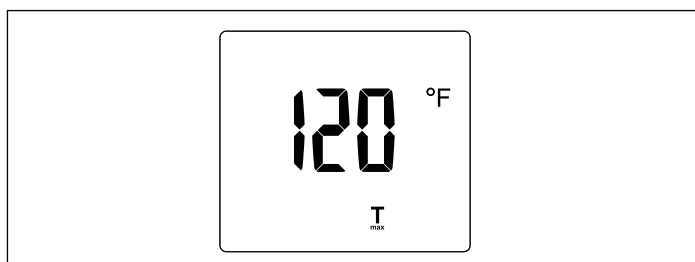
Se puede subir la temperatura girando la perilla de control hacia la derecha y puede bajarse girando la perilla hacia la izquierda. El calentador de agua puede desactivarse aún cuando está encendido al girar la perilla de control hacia la izquierda, pasando el ajuste de 68 °F (20 °C).

5.4.2 Menú de parámetros

Mientras está en la pantalla base, si mantiene pulsado el botón T_{max} durante 5 segundos, la pantalla avanzará al primer menú de parámetros.

Ajuste de parámetros T_{max}

El menú del primer parámetro configura el valor de T_{max} . El valor de T_{max} actúa como un limitador de altas temperaturas. Si el valor T_{max} está configurado, el valor predeterminado del calentador de agua no puede configurarse por arriba del valor T_{max} . Esta función es útil en situaciones donde hay riesgo de quemaduras a causa de agua muy caliente.



En el menú de ajuste de T_{max} , la pantalla parpadea, lo que indica que se puede cambiar el valor girando la perilla de control. El valor T_{max} puede aumentarse girando la perilla de control hacia la derecha y disminuirse girándola hacia la izquierda. El valor T_{max} puede desactivarse al girar la perilla de control hacia la izquierda, pasando la opción de 20 °C (68 °F). En la pantalla se indicará "Off" si el valor T_{max} está inactivo.

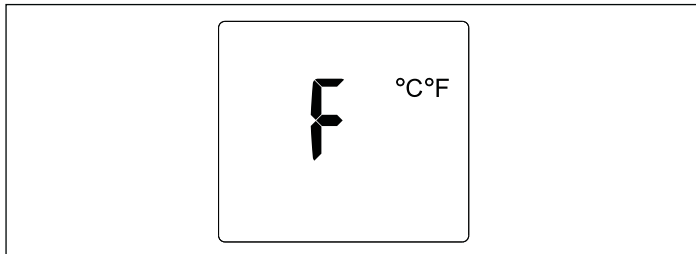
Configuraciones y pantallas

Si el símbolo T_{max} está visible en la pantalla principal, entonces la función T_{max} se encuentra activa y, de esa manera, limita la temperatura máxima aceptable.

Al presionar una vez el botón de información en esta pantalla, se avanza al ajuste de parámetros de unidades de temperatura.

Ajuste de parámetros de unidades de temperatura

El DHC-E Trend indica la temperatura en Fahrenheit o Celsius.

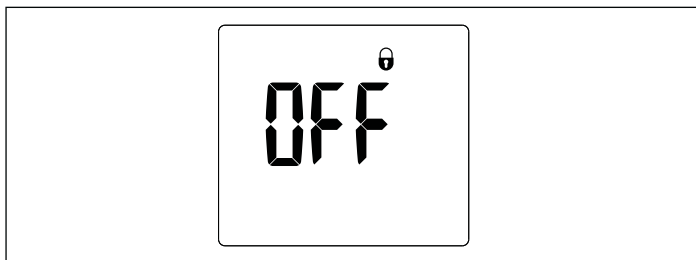


Se visualiza la unidad actual y el valor para la pantalla secundaria parpadea con el fin de indicar que se puede modificar tal valor. Para cambiar el valor de Fahrenheit a Celsius y viceversa, debe girarse la perilla de control.

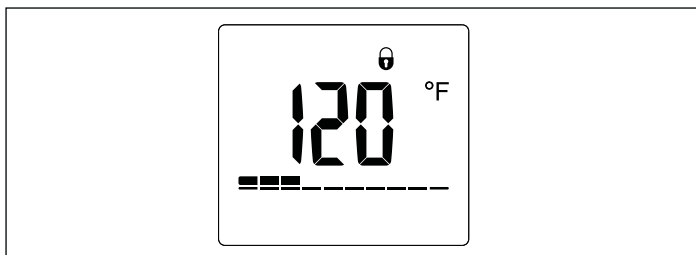
Al presionar una vez el botón de información en esta pantalla, se avanza al ajuste de parámetros de unidades de volumen.

Ajuste de parámetros de bloqueo de la pantalla

La pantalla puede bloquearse para prevenir una fácil alteración de la temperatura. El menú comienza a parpadear, lo que indica que el valor puede modificarse girando la perilla de control. Cuando aparece "Off", el bloqueo no está activo. La función de bloqueo está activa cuando en la pantalla se lee "On".



Si el parámetro de bloqueo de la pantalla está configurado en "On" y el usuario sostiene el botón de información por 5 segundos o deja que la pantalla quede en pausa por 15 segundos, el bloqueo de la pantalla pasará a estar activo.



Cuando el bloqueo de la pantalla está activo, aparece un ícono de candado en la pantalla principal y no se puede modificar ningún parámetro. Para desactivar el bloqueo, sostenga el botón de información por 12 segundos. De esa manera, desaparecerá el ícono de candado de la pantalla y se podrán volver a modificar todos los parámetros.

Al sostener una vez el botón de información en el menú de ajuste de parámetros de bloqueo de la pantalla, se avanza al menú de parámetros de reinicio a los ajustes de fábrica.

5.4.3 Retorno a la pantalla base

Cuando se explora la pantalla y, en cualquier menú excepto en la pantalla base, al sostener el botón de información por 5 segundos se regresará a la pantalla base. Asimismo, se vuelve a la pantalla base luego de un período de 15 segundos sin que el usuario ingrese ningún dato.

5.5 Pantalla del DHC-E Plus

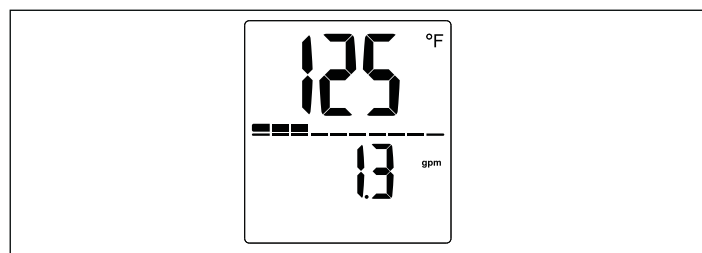
El DHC-E Plus cuenta con un área de visualización primaria y secundaria que permite mostrar múltiples parámetros o información. El DHC-E Plus es capaz de mostrar el caudal actual del agua que pasa por el calentador de agua, así como de calcular el ahorro de costos acumulado por tener un calentador de agua sin tanque en comparación con un calentador de agua de tipo tanque.

Para el nombre de cada elemento de la pantalla del DHC-E Plus, consulte la sección 5.2.1, "Generalidades de la pantalla del DHC-E Plus", pág. 35.

5.5.1 Pantalla base

La pantalla base señala el valor nominal de temperatura actual en su unidad de temperatura preferida, en la parte superior de la pantalla. La barra que se encuentra debajo de la temperatura indica la fracción en curso de la capacidad total a la que funciona el calentador de agua. A medida que la demanda de agua fluctúa, el estado de capacidad de potencia se modifica e indica de 0 a 10 segmentos. La siguiente pantalla señala que el calentador de agua funciona al 40 % de su capacidad.

La parte inferior de la pantalla indica el nivel de flujo existente en el calentador de agua, ya sea en galones por minuto (gpm) o en litros por minuto (l/min).



El resto de las visualizaciones del menú volverán a la pantalla base luego de un período de 15 segundos sin recibir datos de entrada por parte del usuario o luego de mantener pulsado el botón de información por 5 segundos.

Cambiar la temperatura de consigna

Ajustes de temperatura			
Rango	Incremento	Rango	Incremento
68-140 °F	1 °F	20-60 °C.	0.5 °C

La temperatura de consigna puede ajustarse entre 68 °F (20 °C) y 140 °F (60 °C).

Se puede subir la temperatura girando la perilla de control hacia la derecha y puede bajarse girando la perilla hacia la izquierda. El calentador de agua puede desactivarse aún cuando está encendido al girar la perilla de control hacia la izquierda, pasando el ajuste de 68 °F (20 °C).

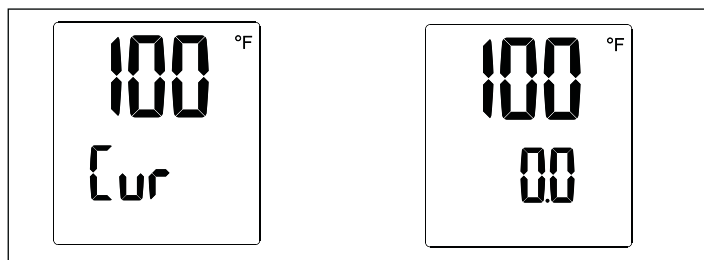
5.5.2 Menú de información

El sistema del menú de información indica datos adicionales para el usuario. Para acceder al menú de información, se debe presionar el botón de información en la pantalla base.

Pantalla de ahorro de costos acumulados

Al presionar el botón de información en la pantalla principal, se avanza a la pantalla de ahorro de costos acumulados.

La pantalla de ahorro de costes acumulados mostrará la temperatura de consigna actual en la mitad superior de la pantalla, y la mitad inferior de la pantalla alternará entre "Cur" y el ahorro acumulado del calentador de agua.



El ahorro acumulado se actualiza diariamente y muestra el ahorro estimado para el usuario en comparación con una instalación en la que se utilizó un calentador de agua tipo tanque de 50 galones.



Nota

Los valores de ahorro de energía se calculan a partir del último reinicio.

Esta aproximación de ahorros de costo se basa en el gasto de electricidad que tiene el usuario. Para lograr una aproximación lo más precisa posible, el costo de electricidad por kWh debería establecerse en el menú de configuración de los parámetros de costo de la electricidad. Para consultar información sobre este paso, consulte la sección, "Ajuste de parámetros de costos de electricidad", pág. 39.

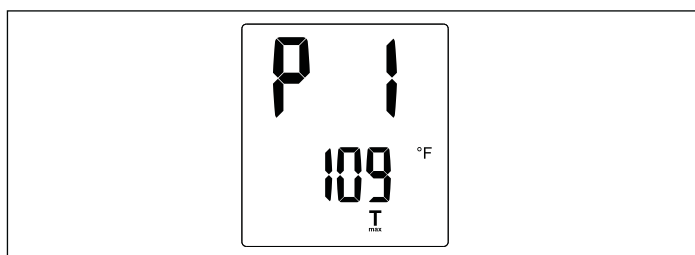
Al presionar el botón de información se vuelve a la pantalla base. También se regresará a la pantalla base si no se detecta ningún dato de entrada por parte del usuario durante 10 segundos.

5.5.3 Menú de parámetros

El menú de parámetros permite la modificación de varias configuraciones. Se puede acceder al menú de parámetros sosteniendo el botón de información por 5 segundos.

Ajuste de parámetros T_{max}

El menú del primer parámetro configura el valor de T_{max}. El valor de T_{max} actúa como un limitador de altas temperaturas. Si el valor T_{max} está configurado, el valor predeterminado del calentador de agua no puede configurarse por arriba del valor T_{max}. Esta función es útil en situaciones donde hay riesgo de quemaduras a causa de agua muy caliente.



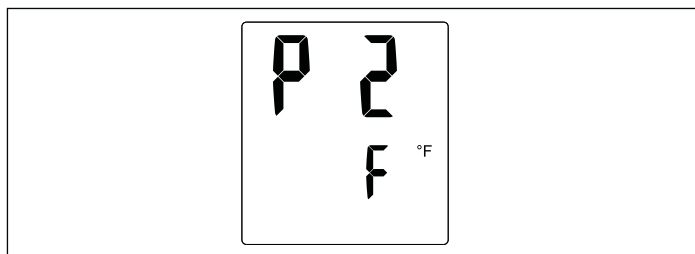
En el menú de ajuste de T_{max}, la pantalla parpadea, lo que indica que se puede cambiar el valor girando la perilla de control. El valor T_{max} puede aumentarse girando la perilla de control hacia la derecha y disminuirse girándola hacia la izquierda. El valor T_{max} puede desactivarse al girar la perilla de control hacia la izquierda, pasando la opción de 68 °F (20 °C). En la pantalla se indicará "Off" si el valor T_{max} está inactivo.

Si el símbolo T_{max} está visible en la pantalla principal, entonces la función T_{max} se encuentra activa y, de esa manera, limita la temperatura máxima aceptable.

Al presionar una vez el botón de información en esta pantalla, se avanza al ajuste de parámetros de unidades de temperatura.

Ajuste de parámetros de unidades de temperatura

El DHC-E Plus indica la temperatura en Fahrenheit o Celsius.

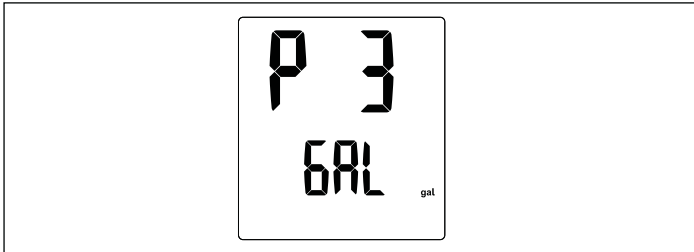


Se visualiza la unidad actual y el valor para la pantalla secundaria parpadea con el fin de indicar que se puede modificar tal valor. Para cambiar el valor de Fahrenheit a Celsius y viceversa, debe girarse la perilla de control.

Al presionar una vez el botón de información en esta pantalla, se avanza al ajuste de parámetros de unidades de volumen.

Ajuste de parámetros de unidades de volumen

El DHC-E Plus indica los volúmenes o el flujo de volumen en galones por minuto (gpm) o litros por minuto (l/min).

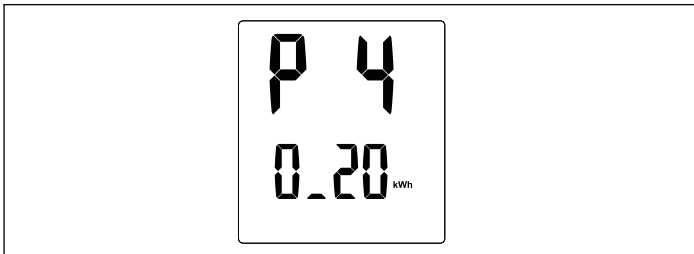


Se indica la unidad actual de volumen y el valor parpadea con el fin de indicar que se puede modificar. Para cambiar el valor de galones por minuto a litros por minuto y viceversa, gire la perilla de control.

Al presionar una vez el botón de información en este menú, se avanza al ajuste de parámetros de costos de electricidad.

Ajuste de parámetros de costos de electricidad

El DHC-E Plus tiene una función integrada que calcula el ahorro de energía del calentador de agua, en comparación con el uso promedio de energía de un calentador de agua con tanque. Para que esta función sea precisa, el costo por kWh de electricidad debe programarse en el software del aparato.

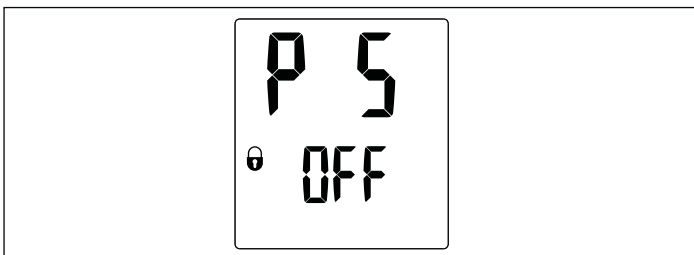


La pantalla secundaria parpadea para indicar que el valor puede modificarse girando la perilla de control. Revise su factura de electricidad para calcular el costo de electricidad.

Al presionar una vez el botón de información en este menú, se avanza al ajuste de parámetros de bloqueo de la pantalla.

Ajuste de parámetros de bloqueo de la pantalla

La pantalla puede bloquearse para prevenir una fácil alteración de la temperatura. El menú comienza a parpadear, lo que indica que el valor puede modificarse girando la perilla de control. Cuando aparece "Off", el bloqueo no está activo. La función de bloqueo está activa cuando en la pantalla se lee "On".



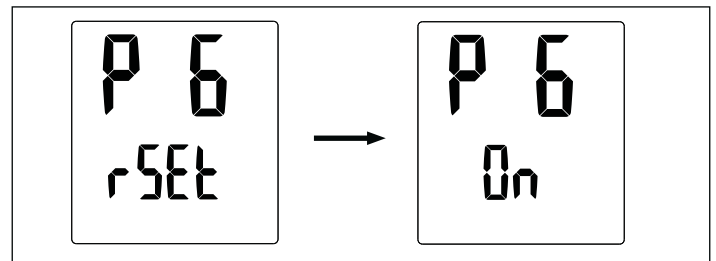
Si el parámetro de bloqueo de la pantalla está configurado en "On" y el usuario sostiene el botón de información por 5 segundos o deja que la pantalla quede en pausa por 15 segundos, el bloqueo de la pantalla pasará a estar activo.

Cuando el bloqueo de la pantalla está activo, aparece un ícono de candado en la pantalla principal y no se puede modificar ningún parámetro. Para desactivar el bloqueo, sostenga el botón de información por 12 segundos. De esa manera, desaparecerá el ícono de candado de la pantalla y se podrán volver a modificar todos los parámetros.

Al sostener una vez el botón de información en el menú de ajuste de parámetros de bloqueo de la pantalla, se avanza al menú de parámetros de reinicio a los ajustes de fábrica.

Parámetros de reinicio a los ajustes de fábrica

La temperatura nominal, los valores preestablecidos, la temperatura y las unidades de volumen pueden reiniciarse a los ajustes de fábrica.

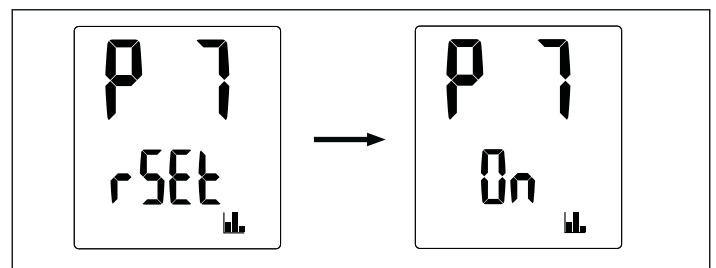


La pantalla en su totalidad comenzará a parpadear con el fin de indicar que el valor puede ser modificado girando la perilla de control. Cuando el valor está configurado en "On", debe confirmarse el reinicio sosteniendo tanto el Botón 1 como el Botón 2, al mismo tiempo, por 5 segundos.

Al presionar una vez el botón de información, se avanza al menú de parámetros de reinicio de ahorros de costos acumulados.

Parámetros de reinicio de ahorros de costos acumulados

Al igual que los parámetros de reinicio a los ajustes de fábrica, el valor calculado de los ahorros de costos acumulados puede reiniciarse en cero.



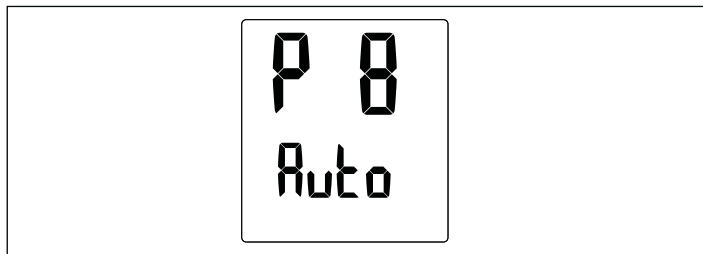
La pantalla en su totalidad comenzará a parpadear, con el fin de indicar que el valor puede modificarse girando la perilla de control. Cuando el valor se encuentra en "On", debe confirmarse el reinicio sosteniendo tanto el Botón 1 como el Botón 2, al mismo tiempo, por 5 segundos.

Configuraciones y pantallas

Al presionar una vez el botón de información, se avanza al menú de los parámetros de pausa de la retroiluminación de la pantalla.

Parámetros de pausa de la retroiluminación de la pantalla

La retroiluminación de la pantalla puede ajustarse para que siempre esté en "On" o puede ajustarse en modo automático, el cual se desactiva cuando no se detectan datos de entrada del usuario durante 30 segundos.

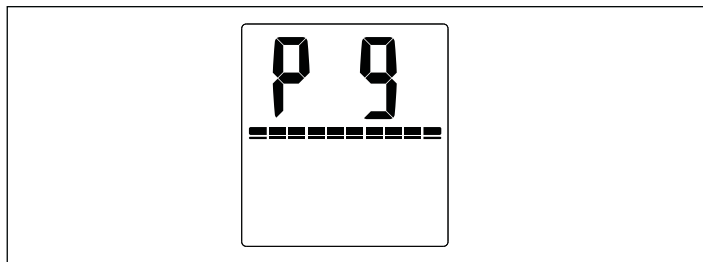


La pantalla en su totalidad y la retroiluminación comenzarán a parpadear, con el fin de indicar que el valor puede modificarse girando la perilla de control. Cuando el valor está ajustado en "Auto", se desactivará automáticamente después de 30 segundos de inactividad.

Al presionar una vez el botón de información en este menú, se avanza al menú de parámetros de brillo de la retroiluminación de la pantalla.

Parámetros de brillo de la retroiluminación de la pantalla

El brillo de la retroiluminación de la pantalla puede ajustarse a dos parámetros diferentes. Un ajuste alto y bajo permite la personalización del usuario, según las condiciones de luz en el lugar de instalación.



La barra de estado de la capacidad de potencia indica el ajuste de brillo. Una barra a plena capacidad indica que el brillo está en la configuración alta. Una barra a capacidad media indica que el brillo está en el ajuste bajo.

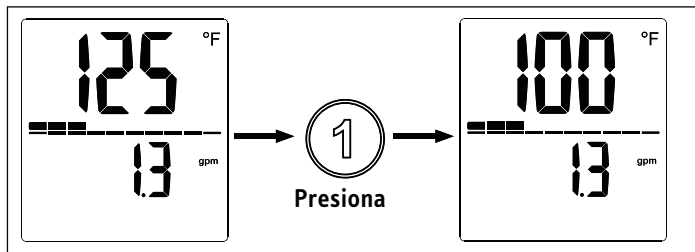
Al presionar una vez el botón de información mientras se encuentra en este menú, se volverá a la página de ajuste de parámetros T_{max} , marcada como "P1".

5.6 Opciones de temperatura preestablecida

Todos los modelos DHC-E tienen dos ajustes de temperatura preestablecidos para permitir un rápido acceso a los puntos de ajuste. El Botón 1 y el Botón 2 son capaces de almacenar cada uno un valor de punto de ajuste independiente.

Modificación de valores nominales a valores preestablecidos

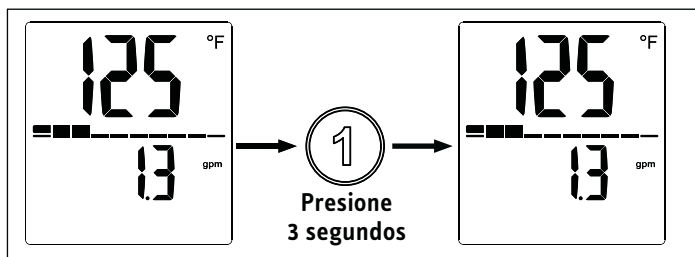
En la pantalla base, el usuario puede pulsar el Botón 1 o el Botón 2 para cambiar el valor nominal a los valores preestablecidos.



Cuando se pulsa el botón, el valor nominal se modificará al valor que estaba almacenado hasta ese punto.

Modificación de los valores preestablecidos

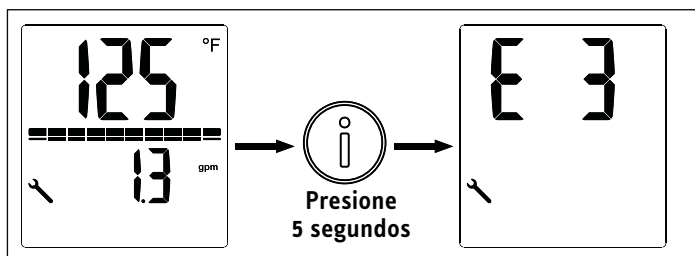
Los valores preestablecidos pueden modificarse y ser distintos a los valores nominales de fábrica.



Para cambiar el valor de preselección 1 o 2, en primer lugar gire la perilla de control a la temperatura que desee ajustar. Luego, mantenga pulsado el botón de preselección durante 3 segundos. La pantalla comenzará a parpadear para indicar que el valor preestablecido se ha cambiado correctamente.

5.7 Menú de error

Si el DHC-E encuentra un error, aparecerá el ícono de una llave inglesa en la parte inferior izquierda de la pantalla.



Mientras se muestra la llave inglesa, mantenga pulsado el botón de información (DHC-E Plus) o el botón T_{max} (DHC-E Trend) durante cinco segundos para avanzar la pantalla a la página de visualización de errores. Consulte la sección 16, "Resolución de problemas", pág. 51, para obtener información sobre cómo interpretar el código de error reportado.

5.8 Retorno a la pantalla base

Cuando se explora la pantalla y, en cualquier menú excepto en la pantalla base, al sostener el botón de información por 5 segundos se regresará a la pantalla base. Asimismo, se vuelve a la pantalla base luego de un período de 15 segundos sin que el usuario ingrese ningún dato.

5.9 Configuraciones recomendadas

Su calentador de agua eléctrico sin tanque ofrece la máxima comodidad y precisión al proporcionar ACS. Si necesita operar el calentador de agua con una válvula termostática, le recomendamos que:

- ▶ Ajuste la temperatura del calentador de agua a más de 122 °F (50 °C). Luego ajuste la temperatura establecida requerida en la válvula termostática.

Ahorro de energía

La siguiente configuración recomendada dará como resultado el menor consumo de energía:

- 100 °F (38 °C) para lavamanos, duchas, baños
- 131 °F (55 °C) para fregaderos de cocina

Protección interna contra quemaduras (técnicos calificados)

Si es necesario, el técnico cualificado puede establecer un límite de temperatura permanente, por ejemplo en guarderías, hospitales, etc. Consulte la sección 12.1, “Protección interna anti-escaldadura a través de la ranura de puente”, pág. 46.

Ajuste recomendado para el funcionamiento con una válvula termostática y agua precalentada por energía solar

- ▶ Ajuste la temperatura del calentador de agua a la temperatura máxima.

Después de una interrupción en el suministro de agua



Pérdidas materiales

Para asegurarse de que el sistema de calentamiento en espiral no se dañe después de una interrupción en el suministro de agua, debe seguir estos pasos para reiniciar el calentador de agua.

- ▶ Apague la alimentación eléctrica de la unidad en el panel de interruptores, asegurándose de que los interruptores de circuito conectados estén en la posición “OFF”, para evitar cualquier peligro de descarga eléctrica.
- ▶ Abra y cierre el grifo al menos cinco veces durante un total de tres minutos, hasta que no quede aire dentro del calentador de agua ni de la línea de entrada de agua fría.
- ▶ Vuelva a colocar los interruptores en la posición “ON” para reconectar la alimentación eléctrica.

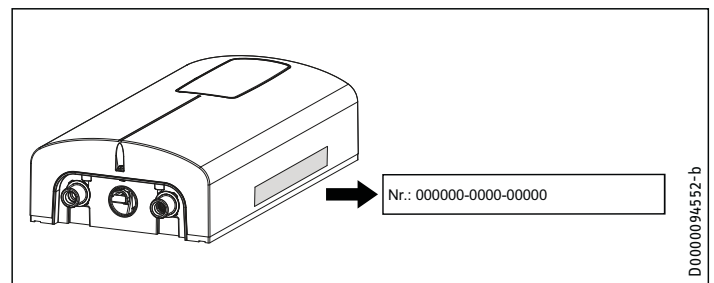
6. Limpieza, cuidado y mantenimiento

- ▶ Nunca use agentes de limpieza abrasivos o corrosivos. Use un paño húmedo para limpiar el calentador de agua.
- ▶ Verifique los grifos regularmente. Se pueden eliminar los depósitos de cal de las salidas de los grifos con agentes desincrustantes disponibles en el mercado.

7. Resolución de problemas

Problema	Causa	Solución
El calentador de agua no arranca a pesar de que la válvula de agua corriente está completamente abierta	No hay electricidad	Verifique si saltó el interruptor del panel de interruptores. Reinicie si es necesario No se activó el interruptor blanco de seguridad AE3 durante la configuración inicial. Actívelo si es necesario (Consulte la sección 12.3.1, “Activación inicial del interruptor de seguridad AE3”, pág. 47). Si el interruptor AE3 saltó después de la instalación inicial, comuníquese con un técnico calificado para solucionar la causa
	El aireador del grifo o la regadera tiene incrustaciones o suciedad	Limpie y/o desincruste el aireador o la regadera
	Se ha interrumpido el suministro de agua	Ventile el calentador de agua y la línea de entrada de agua fría
Cuando se extrae agua caliente, por un período corto, sale agua fría	El detector de aire detecta aire en el agua. Se apaga la salida de calor brevemente	El calentador de agua se reinicia automáticamente después de 1 minuto
No se puede establecer la temperatura requerida	La protección interna contra quemaduras está activa	La protección interna contra quemaduras solo puede ser ajustada por técnicos calificados

Si no puede resolver el problema, contacte con su contratista cualificado. Para facilitar y acelerar su consulta, por favor proporcione el número de serie de la placa de identificación (000000-0000-000000). Para asistencia técnica en vivo, por favor contáctenos al 800.582.8423. Alternativamente, puede enviarnos un correo electrónico a info@stiebel-eltron-usa.com



INSTALACIÓN

8. Seguridad

Los trabajos de instalación, verificación y reparación del calentador de agua solo deben ser realizados por un técnico calificado.

8.1 Instrucciones generales de seguridad

Garantizamos el funcionamiento sin problemas y la confiabilidad operativa solo si se utilizan accesorios y repuestos originales destinados al calentador de agua.



Pérdidas materiales

Respete la temperatura máxima de entrada. Las temperaturas superiores pueden dañar el calentador de agua. Puede limitar la temperatura máxima de entrada instalando una válvula termostática central.



ADVERTENCIA Electrocutación

Este calentador de agua contiene condensadores que se descargan cuando se desconecta de la fuente de alimentación. El voltaje de descarga del condensador puede exceder brevemente los 60 V CC.

8.2 Instrucciones, normas y regulaciones



Nota

Respete todas las regulaciones e instrucciones nacionales y regionales pertinentes.

La resistividad eléctrica del agua no debe ser inferior a la indicada en la placa de identificación. En una red de agua vinculada, tenga en cuenta la resistividad eléctrica más baja del agua. Su empresa de suministro de agua puede informarle sobre la resistividad eléctrica o la conductividad del agua en su área.

9. Descripción del calentador de agua

9.1 Entrega común

Junto con el calentador de agua, se entregan:

- Malla de filtro, instalada de fábrica en la entrada de agua fría
- Puente de protección contra las quemaduras, conectado
- Puente para selección de salida de potencia, conectado
- Puente de repuesto, conectado
- 2 x tornillos de montaje
- 2 x anclajes de pared
- Reductor de flujo/aerador de 0.5 gpm (1.9 l/min), DHC-E 3/3.5-1 Trend solamente. Consulte la sección 11.3, "Instalación del aireador en el grifo conectado", pág. 45, para más información.

- 2 x reductores de flujo/aeradores de 0.5 gpm (1.9 l/min) y 1 x reductor de flujo/aerador de 1.0 gpm (3.8 l/min), DHC-E 4/6-2 Trend solamente. Consulte la sección 11.3, "Instalación del aireador en el grifo conectado", pág. 45, para más información.

10. Preparativos

10.1 Lugar de instalación



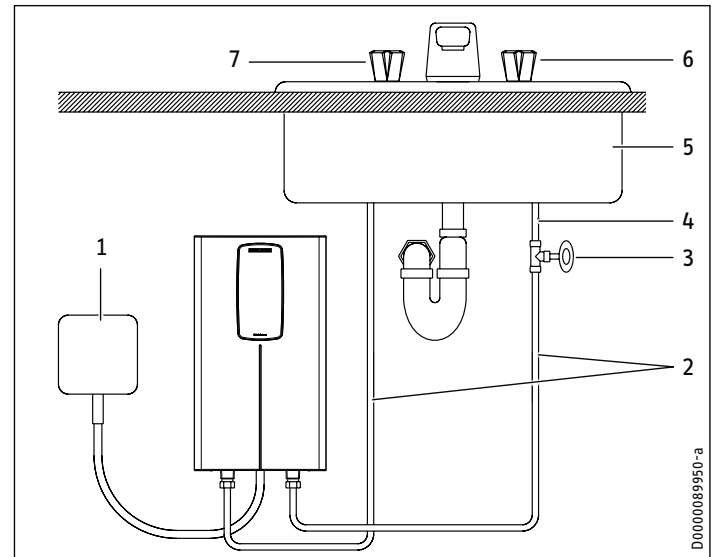
Pérdidas materiales

Instale el calentador de agua en una habitación en la que no haya riesgo de escarcha.

- ▶ Instalar el DHC-E en un área libre de escarcha. Si puede haber heladas, retire la unidad antes de que se fijen las temperaturas de congelación.
- ▶ Siempre instale el calentador de agua de manera vertical, con los accesorios de plomería apuntando hacia abajo. Instale el calentador de agua cerca del punto de salida para minimizar los tramos de tubería y las pérdidas térmicas.
- ▶ **Grifos:** No utilice grifos con válvula de venteo o grifos sin presurizar.

El calentador de agua es adecuado para la instalación bajo el fregadero y sobre el fregadero.

Típica instalación bajo el fregadero



- 1 Caja de conexiones eléctricas
- 2 1/2 pulg. línea de suministro de agua para la instalación del grifo
- 3 Válvula de cierre
- 4 Suministro de agua fría
- 5 Fregadero
- 6 Válvula fría (derecha)
- 7 Válvula caliente (izquierda)

INSTALACIÓN

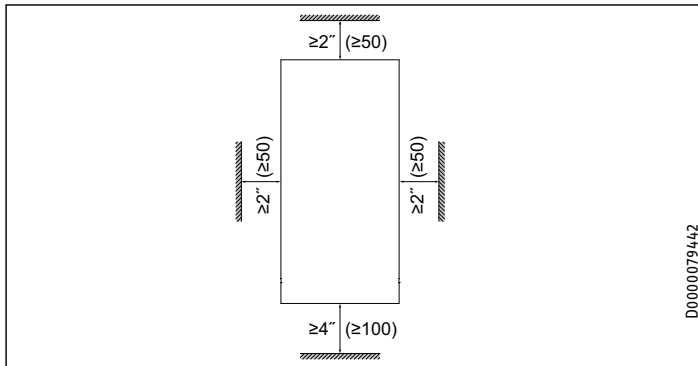
Instalación



Nota

- Instale el calentador de agua al ras de la pared. La pared debe tener suficiente capacidad de carga.

10.2 Espacios libres mínimos



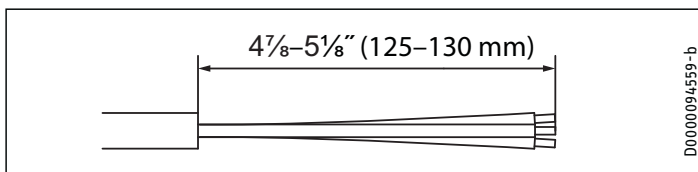
- Mantenga los espacios libres mínimos para garantizar un funcionamiento sin problemas del calentador de agua y facilitar el trabajo de mantenimiento.

11. Instalación

Ajustes de fábrica	DHC-E 3/3.5-1 Trend	DHC-E 4/6-2 Trend	DHC-E 8/10-2 Trend	DHC-E 12/15-2 Trend & Plus
Ajuste de temperatura interna en °F (°C)	140 (60)	140 (60)	140 (60)	140 (60)
Potencia de salida				
@ 120 V	3.5 kW	-	-	-
@ 208 V	-	4.5 kW	7.2 kW	10.8 kW
@ 240 V	-	6.0 kW	9.6 kW	14.4 kW

11.1 Instalación estándar en la pared

11.1.1 Preparación del cable de alimentación

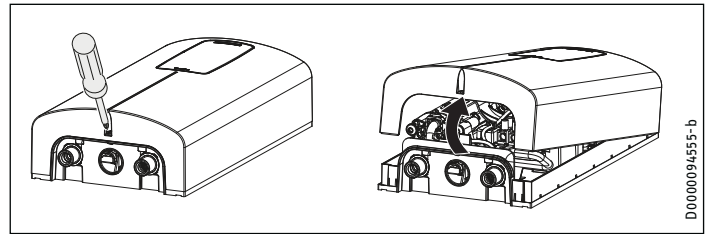


- Prepare el cable de alimentación.

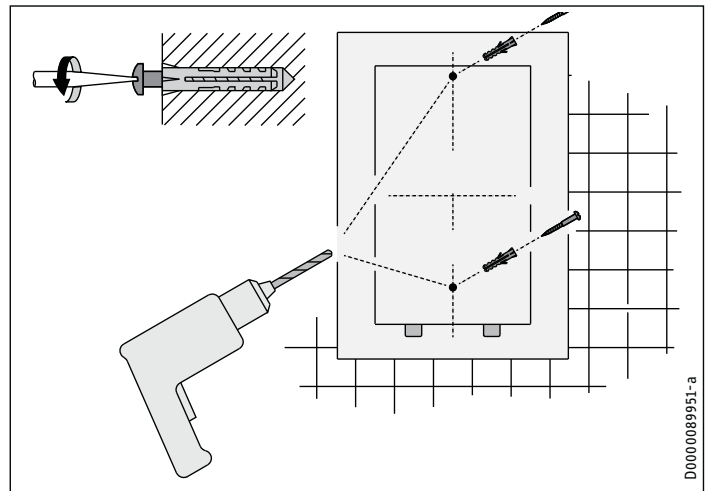
11.1.2 Instrucciones de montaje

- Instale el DHC-E lo más cerca posible del punto de extracción de agua caliente, por ejemplo, directamente debajo del fregadero.
- Instale el DHC-E en un área libre de heladas. Si puede producirse una helada, retire la unidad antes de que se fijen las temperaturas de congelación.
- Observe las distancias mínimas en todos los lados para asegurar un servicio sin obstrucciones si es necesario.

- Retire la cubierta de plástico aflojando el tornillo de la parte inferior. Levante la cubierta de la parte inferior.



- Marque los 2 agujeros de perforación, refiriéndose a su posición usando el panel trasero del calentador de agua como guía.
- Ponga el panel trasero del calentador de agua a un lado y taladre los 2 agujeros marcados.
- Instale los anclajes de pared en la pared, luego inserte y apriete cada tornillo de montaje parcialmente. Se proporcionan tornillos y anclajes de pared de plástico para el montaje en pared de yeso o madera.
- Cuelgue la unidad en los 2 tornillos de montaje, asegurándose de que la parte trasera de la unidad esté a ras de la pared.
- Una vez que la unidad esté en posición, fírmela en la pared apretando completamente los 2 tornillos de montaje.



INSTALACIÓN

Instalación

11.2 Conexiones de agua



PRECAUCIÓN: NO INSTALE EL CALENTADOR DENTRO DE UNA MAMPARA DE BAÑO O MAMPARA DE DUCHA NI LO CONECTE A UN ABLANDADOR DE AGUA DE SAL REGENERANTE O A UN SUMINISTRO DE AGUA SALADA.

PARA USO EN UN CIRCUITO DE RAMA INDIVIDUAL SOLAMENTE

PRECAUCIÓN: CONECTAR SOLO A UN CIRCUITO PROTEGIDO POR UN INTERRUPTOR DIFERENCIAL CLASE A

USE SÓLO CONDUCTORES DE COBRE

USE EL CONDUCTOR DE UNIÓN ADECUADO SEGÚN EL CÓDIGO ELÉCTRICO CANADIENSE, PARTE I



Pérdidas materiales

Realice todos los trabajos de conexión e instalación de agua respetando la normativa.



Pérdidas materiales

El calor excesivo de la soldadura de tuberías de cobre cerca del DCE puede dañar la unidad o la malla de filtro de plástico ubicada en la entrada de agua fría.



AVISO

Usted DEBE desconectar la conexión de agua fría que ingresa a la unidad de manera periódica para limpiar la malla de filtro. Se requiere el uso de conexiones de agua que sean fácilmente desmontables, como los conectores flexibles de acero trenzado.



AVISO

Las aguas duras o con un alto recuento de minerales pueden dañar la unidad. La garantía no cubre los daños a la unidad causados por incrustaciones o un alto recuento de minerales.



AVISO

Los calentadores de agua sin tanque como el DHC-E no requieren válvulas de alivio de temperatura y presión (T&P). Si el inspector local no aprobara la instalación sin una T&P, esta debe instalarse al lado de la salida de agua caliente de la unidad.

11.2.1 Materiales de conexión de agua permitidos

- ▶ La salida de agua caliente del DHC-E (izquierda) está diseñada para conectarse a un tubo de cobre, un tubo PEX o una manguera trenzada de acero inoxidable con una rosca cónica hembra NPT de 1/2 pulg.
- ▶ La tubería de la entrada de agua fría (derecha) debe ser tal que se pueda quitar fácilmente para permitir el acceso a la malla de filtro de entrada. La forma más fácil de lograr esto es usar un conector flexible de acero trenzado con una conexión hembra NPT de 1/2 pulg.



Pérdidas materiales

Si se utilizan tuberías de plástico, tenga en cuenta la temperatura máxima de entrada y la presión máxima permitidas.

11.2.2 Velocidad de flujo

- ▶ Si no se alcanza la velocidad de flujo mínima para la activación cuando la válvula de salida está completamente abierta, aumente la presión de la línea de agua.
- ▶ La presión mínima de la línea de suministro de agua fría entrante debe ser de al menos 26.1 psi (1.8 bar).

11.2.3 Instrucciones para las conexiones del agua



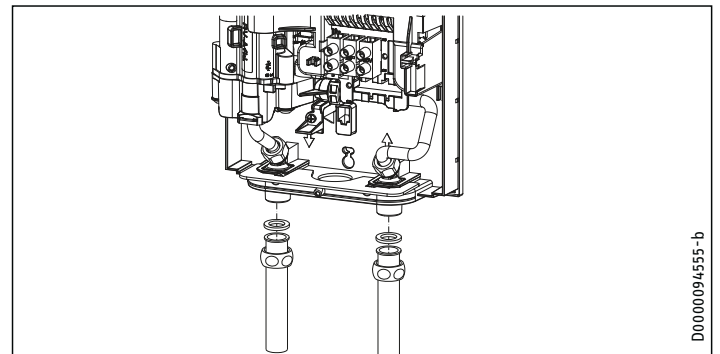
Pérdidas materiales

Si es necesario soldar cerca de la unidad, por favor dirija la llama lejos de la carcasa de la unidad para evitar daños. Tenga en cuenta que el calor excesivo de las soldaduras (no recomendado) cerca del accesorio de entrada de agua fría puede dañar la malla de plástico del filtro situada en su interior.

Todo trabajo de fontanería debe cumplir con los códigos de fontanería nacionales y estatales aplicables.

La conexión de agua fría (entrada) está en el lado derecho de la unidad, la conexión de agua caliente (salida) está en el lado izquierdo de la unidad.

- ▶ Debe instalarse una válvula reductora de presión si la presión del suministro de agua fría supera los 10 bares (150 psi).
- ▶ Asegúrese de que la línea de suministro de agua fría se haya enjuagado para eliminar cualquier cal y suciedad.
- ▶ Instale la válvula de cierre en la línea de agua fría como se muestra en la ilustración de la página 42. Esto permite aislar fácilmente la unidad para fines de mantenimiento.



- ▶ Conecta los conectores flexibles de acero trenzado (recomendados para la salida caliente, requeridos para la entrada fría, no suministrados) a los conectores macho NPT gemelos 1/2 pulg.
- ▶ Abrir la válvula de cierre en la línea de entrada de agua fría.

Cuando todos los trabajos de plomería estén terminados, compruebe si hay fugas y tome las medidas correctivas antes de proceder.

11.3 Instalación del aireador en el grifo conectado

El DHC-E 3/3.5-1 Trend se entrega con un reductor/aerador de flujo compensatorio de presión de 0.5 gpm (1.9 l/min) que debe instalarse en el grifo al que está conectado el calentador de agua. Si no se instala el aireador, la temperatura del agua puede ser inferior a la deseada.

El DHC-E 4/6-2 Trend se entrega con un aireador de 1.0 gpm (3.8 l/min) y 2 x 0.5 gpm (1.9 l/min), lo que permite una máxima flexibilidad de instalación. Se debe instalar un solo aireador de 0.5 gpm o 1.0 gpm, dependiendo del aumento de temperatura requerido, cuando la unidad se utiliza en el ajuste de salida de potencia [baja] (posición de puente 1). En el ajuste de salida de potencia [alta] (predeterminado de fábrica, posición de puente 2), la unidad puede conectarse a un solo fregadero utilizando el aireador de 1.0 gpm, o a dos fregaderos utilizando los aireadores de 2 x 0.5 gpm. Si no se instalan el(los) aireador(es), la temperatura del agua puede ser inferior a la deseada.

11.4 Conexión eléctrica



ADVERTENCIA Electrocutación

Antes de comenzar cualquier trabajo en la instalación eléctrica, asegúrese de que los interruptores del panel principal de interruptores estén en la posición "Off" para evitar cualquier peligro de descarga eléctrica. Antes de proceder con la conexión eléctrica, se debe completar el montaje y la plomería. Cuando así lo exijan los códigos eléctricos locales, estatales o nacionales, los circuitos deben contar con un "interruptor diferencial". La unidad debe estar correctamente conectada a tierra de acuerdo con los códigos estatales y locales o, en ausencia de dichos códigos, de acuerdo con el código eléctrico nacional o el código eléctrico canadiense. Si el producto no se conecta a tierra, se pueden producir lesiones personales graves o la muerte.



PRECAUCIÓN: NO INSTALE EL CALENTADOR DENTRO DE UNA MAMPARA DE BAÑO O MAMPARA DE DUCHA NI LO CONECTE A UN ABLANDADOR DE AGUA DE SAL REGENERANTE O A UN SUMINISTRO DE AGUA SALADA.

PARA USO EN UN CIRCUITO DE RAMA INDIVIDUAL SOLAMENTE

PRECAUCIÓN: CONECTAR SOLO A UN CIRCUITO PROTEGIDO POR UN INTERRUPTOR DIFERENCIAL CLASE A USE SÓLO CONDUCTORES DE COBRE

USE EL CONDUCTOR DE UNIÓN ADECUADO SEGÚN EL CÓDIGO ELÉCTRICO CANADIENSE, PARTE I



ADVERTENCIA Electrocutación

Solo se permite una conexión permanente a la fuente de alimentación usando el pasa cables extraíble. Asegúrese de que el calentador de agua esté separado de la fuente de alimentación mediante un interruptor aislador que desconecte todos los polos con una separación de contacto de al menos 1/8 pulg. (3 mm).



Alimente este aparato solo desde un sistema conectado a tierra. Se proporciona un terminal verde (o un conector de cable marcado "G", "GR", "GROUND" O "GROUNDING") para el cableado del aparato. Para reducir el riesgo de descarga eléctrica, conecte este terminal o conector al terminal de conexión a tierra del servicio eléctrico o panel de suministro con un cable de cobre continuo de acuerdo con el código de instalación eléctrica.



Pérdidas materiales

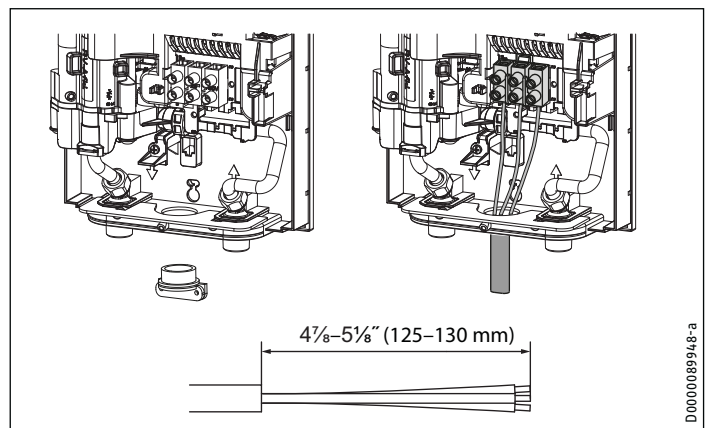
Respete la placa de identificación. El voltaje nominal especificado debe coincidir con el voltaje de la línea de suministro.



Pérdidas materiales

El DHC-E 3/3.5-1 Trend sólo debe ser conectado a un suministro eléctrico de 120 V. Si se conecta el DHC-E 3/3.5-1 Trend a un suministro eléctrico de 208-240 V, se dañará permanentemente la unidad y se anulará la garantía de fábrica.

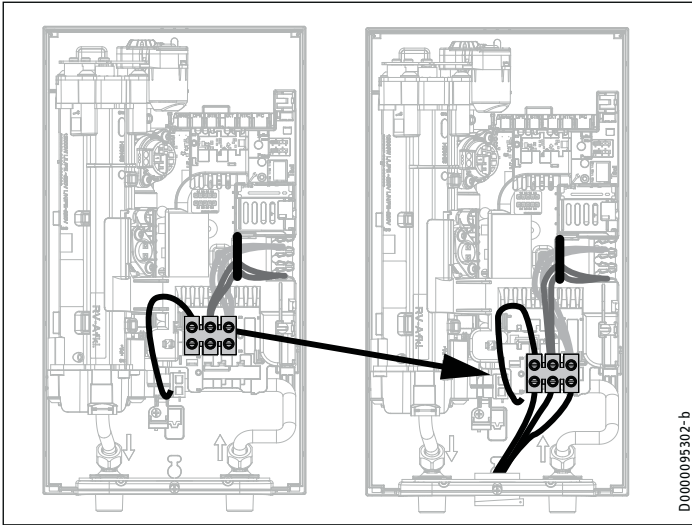
- ▶ Todos los trabajos eléctricos deben cumplir con los códigos eléctricos nacionales y estatales aplicables.
- ▶ El DHC-E debe ser conectado a un circuito dedicado de derivación debidamente conectado a tierra y con el voltaje adecuado. En instalaciones con varias unidades DHC-E, cada unidad requiere un circuito independiente. Consulte la tabla de datos técnicos para conocer el tamaño correcto de los cables y los disyuntores.
- ▶ En la abertura situada entre las conexiones de agua caliente y fría debe instalarse una abrazadera Romex 3/4 pulg. (requerida, no suministrada). El cable debe ser alimentado a través de la abrazadera Romex. Los cables "vivos" deben conectarse a las ranuras del bloque de terminales marcado con la N y la L (DHC-E 3/3.5-1 Trend solamente) o la L y la L (todas las demás versiones). El cable de tierra debe conectarse a la ranura marcada con el símbolo de tierra. Consulte la sección 17.2, "Diagramas de cableado", pág. 52.



11.5 Conexión eléctrica con un cable de alimentación corto

Si el cable de alimentación no es lo suficientemente largo, puede instalar el bloque de cables más cerca de la abertura en el calentador de agua.

- Reposiciona el bloque de cableado de arriba a abajo. Para ello, desengánchelo empujándolo firmemente hacia la izquierda y tirando de él hacia adelante.



- Enganche el bloque de cableado en la parte inferior empujándolo hacia adentro y hacia la izquierda hasta que encaje en su lugar.

11.6 Bloque de cableado

Consulte la tabla de abajo para conocer las cantidades de par de torsión recomendadas en los tornillos del bloque de cableado.

Tamaño del tornillo (mm)	Torsión mínima (N•cm)	Torsión mínima (Lbf•in)
M6	200-250	17.7-22.1

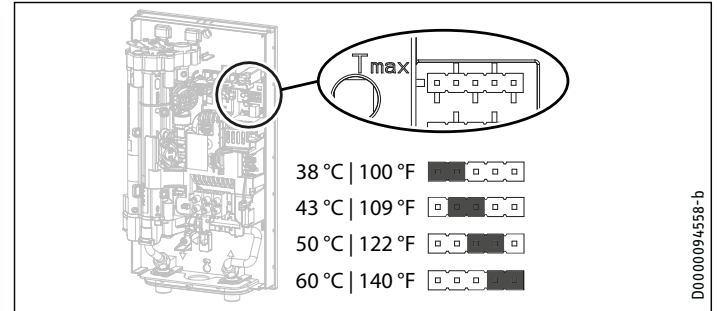
Usar las especificaciones de torsión adecuadas para asegurar el cable al bloque de cableado ayuda a evitar pérdidas personales o daños a la propiedad.

12. Puesta en marcha

12.1 Protección interna anti-escaldadura a través de la ranura de puente

Para mayor seguridad, el contratista cualificado puede establecer un límite interno de temperatura anti-escaldadura a través del puente "T_{max}". La función de protección anti-escaldadura limita la temperatura máxima de salida del calentador de agua. Esta característica anula la pantalla de ajuste de la temperatura en la cubierta frontal (tanto la selección de la temperatura como el límite de temperatura a través de las funciones de software). El usuario puede seguir haciendo ajustes de temperatura por debajo del límite antiquemaduras utilizando la pantalla, sin embargo, cualquier temperatura selec-

cionada que sea superior al límite T_{max} establecido será ignorada, y la temperatura de salida se limitará al valor T_{max}.



Posición de puente	Descripción
38 °C 100 °F	Aplicaciones de lavado de manos conformes con el código
43 °C 109 °F	Aplicaciones en las que el riesgo de quemaduras puede ser una preocupación
50 °C 122 °F	Agua caliente para el fregadero de la cocina, fregadero de servicio, etc.
60 °C 140 °F	Aplicaciones comerciales (cocinas, etc.), requisitos del código de salud (configuración de fábrica)
Sin puente	Límite 38 °C 100 °F

- Instale el puente en la posición requerida en la tira de clavijas "T_{max}".



PRECAUCIÓN Quemaduras

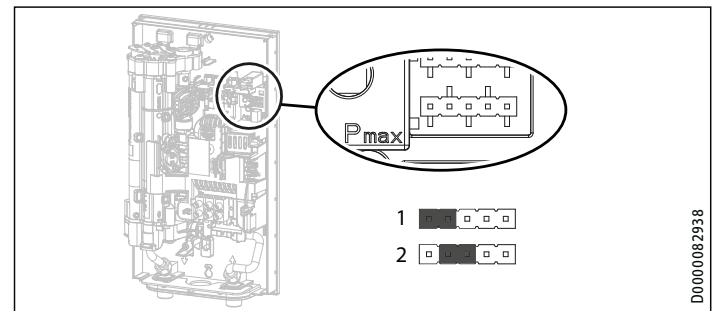
Si el agua suministrada al calentador de agua se precalienta, la protección interna antiquemaduras y el límite de temperatura ajustable por el usuario pueden ser superados.

En tales casos, limite la temperatura con una válvula termostática central aguas arriba.

12.2 Cambiar la salida de potencia a través de la ranura del puente

Los modelos DHC-E tienen una salida de potencia seleccionable.

Si selecciona un valor distinto del ajuste predeterminado de fábrica, deberá reposicionar el puente.



- Instale el puente en la posición requerida del alojamiento de cables y cabecera "P_{max}".

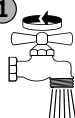

Posición de puente		Salida de potencia	
		DHC-E 3/3.5-1 Trend	DHC-E 4/6-2 Trend
1 [bajo]	@ 120 V	3.0 kW	-
	@ 208 V	-	2.9 kW
	@ 240 V	-	3.8 kW
2 [alto]	@ 120 V	3.5 kW	-
	@ 208 V	-	4.5 kW
	@ 240 V	-	6.0 kW
Sin puente	@ 120 V	3.0 kW	-
	@ 208 V	-	2.9 kW
	@ 240 V	-	3.8 kW


Posición de puente		Salida de potencia	
		DHC-E 8/10-2 Trend	DHC-E 12/15-2 Trend & Plus
1 [bajo]	@ 208 V	5.4 kW	9.0 kW
	@ 240 V	7.2 kW	12.0 kW
2 [alto]	@ 208 V	7.2 kW	10.8 kW
	@ 240 V	9.6 kW	14.4 kW
Sin puente	@ 208 V	5.4 kW	9.0 kW
	@ 240 V	7.2 kW	12.0 kW

- ▶ Marque la potencia de salida seleccionada en la placa de identificación con un bolígrafo.

12.3 Puesta en marcha inicial

Nota
Durante la puesta en marcha inicial, **DEBE** activar el interruptor de seguridad AE3 presionando el botón de reinicio blanco antes de suministrar energía al calentador de agua. La unidad **NO** funcionará hasta que el interruptor de seguridad no esté activado.

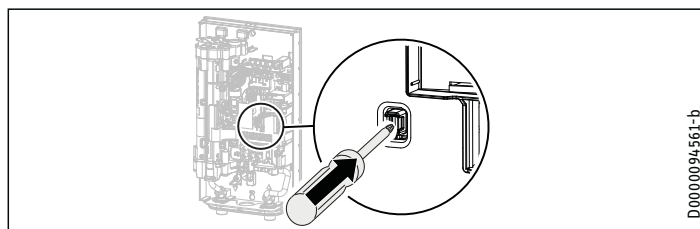
1  Abra el grifo  ≥ 3 min.

2  Encienda la fuente de alimentación.

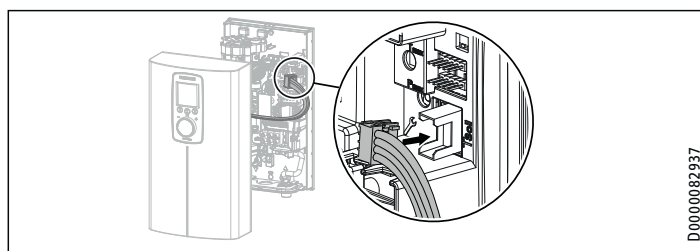
D0000053277

- ▶ Abra y cierre todas las válvulas de salida conectadas al menos cinco veces en total. Deje correr el agua durante al menos tres minutos, hasta que se haya purgado todo el aire de la tubería y el calentador de agua.
- ▶ Asegúrese de que no haya fugas de agua en ninguna conexión de las tuberías.

12.3.1 Activación inicial del interruptor de seguridad AE3

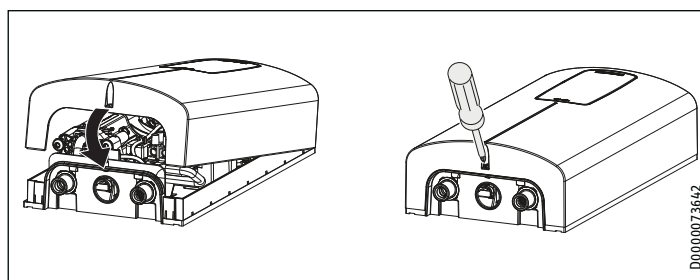


- ▶ Active el interruptor de seguridad AE3 presionando firmemente el botón blanco de reinicio hasta que haga clic y se bloquee completamente en su lugar (el calentador de agua se entrega con el interruptor de seguridad desactivado).



- ▶ Conecte el enchufe del cable de la unidad de programación a la PCI.

Nota
Es esencial enchufar el cable de conexión de la unidad de programación a la PCI antes de encenderlo. De lo contrario, la unidad de programación no funcionará.



- ▶ Enganche la cubierta en la parte superior de la tapa trasera del calentador de agua. Empuje la tapa hacia abajo. Verifique que la cubierta esté bien asentada en las partes superior e inferior.
- ▶ Asegure la cubierta con el tornillo.
- ▶ Retire la película protectora del panel frontal.



Encienda la fuente de alimentación.

D0000053281

- ▶ Encienda la fuente de alimentación.
- ▶ Asegúrese de que la unidad de programación funciona correctamente.

Apagado del calentador de agua

12.3.2 Entrega del calentador de agua

- ▶ Explique el funcionamiento del calentador de agua a los usuarios y permítales familiarizarse con su funcionamiento.
- ▶ Informe a los usuarios sobre los peligros potenciales, especialmente el riesgo de quemaduras.
- ▶ Entregue las instrucciones.

12.4 Operación con agua precalentada

Puede limitar la temperatura máxima de entrada instalando una válvula termostática central.

Use una válvula termostática para la pre mezcla central, por ejemplo, cuando opere un calentador de agua instantáneo con agua precalentada. Para usar en la ducha, la válvula debe ajustarse a un máximo de 131 °F (55 °C).

12.5 Reinicio



Pérdidas materiales

Para garantizar que el sistema de calentamiento en espiral no se dañe después de una interrupción en el suministro de agua, el calentador de agua debe reiniciarse siguiendo los siguientes pasos:

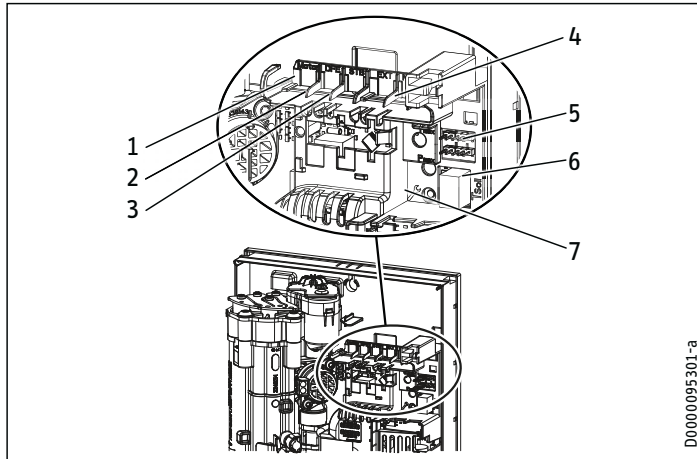
- ▶ Apague la alimentación de la unidad desde el panel de interruptores, asegurándose de que los interruptores de circuito conectados estén en la posición "OFF" para evitar cualquier peligro de descarga eléctrica.
- ▶ Abra y cierre el grifo al menos cinco veces durante tres minutos en total, hasta que el calentador de agua y su línea de entrada de agua fría estén libres de aire.
- ▶ Vuelva a conectar la alimentación en el panel de interruptores.

13. Apagado del calentador de agua

- ▶ Apague la alimentación de la unidad desde el panel de interruptores, asegurándose de que los interruptores de circuito conectados estén en la posición "OFF" para evitar cualquier peligro de descarga eléctrica.
- ▶ Drene el calentador de agua (Consulte la sección 15.1, "Drenaje del calentador de agua", pág. 49").

14. Información para servicio técnico

Estado de conexiones/Estado de componentes



- 1 Válvula motorizada
- 2 Sensor de flujo
- 3 Corte de seguridad por exceso del límite de temperatura, reinicio automático, Klixon
- 4 NTC sensor
- 5 Alojamiento de cables y cabecera para carga conectada y ajuste de temperatura
- 6 Enchufe de la unidad de programación
- 7 Luces de diagnóstico

D0000095301-a

15. Mantenimiento



ADVERTENCIA Electrocutión

Antes de comenzar cualquier trabajo en el calentador de agua, asegúrese de que los disyuntores conectados estén "apagados" para evitar cualquier peligro de descarga eléctrica.

15.1 Drenaje del calentador de agua

El calentador de agua se puede drenar para realizar trabajos de mantenimiento.



ADVERTENCIA Quemaduras

Al drenar el calentador de agua, es posible que se escape agua caliente.

- ▶ Cierre la válvula de la línea de entrada de agua fría.
- ▶ Abra todas las válvulas de salida.
- ▶ Desconecte las conexiones de agua del calentador de agua.
- ▶ Guarde el calentador de agua desmontado en un lugar donde no haya riesgo de escarcha, ya que los residuos de agua que quedan dentro del calentador de agua pueden congelarse y causar daños.

15.2 Limpieza de la malla del filtro



ADVERTENCIA Quemaduras

Al drenar el calentador de agua, es posible que se escape agua caliente.



Pérdidas materiales

Para garantizar que el sistema de calentamiento en espiral no se dañe después de una interrupción en el suministro de agua, el calentador de agua debe reiniciarse siguiendo los siguientes pasos:

- ▶ Apague la alimentación de la unidad desde el panel de interruptores, asegurándose de que los interruptores de circuito conectados estén en la posición "OFF" para evitar cualquier peligro de descarga eléctrica.
- ▶ Abra y cierre el grifo al menos cinco veces durante tres minutos en total, hasta que el calentador de agua y su línea de entrada de agua fría estén libres de aire.
- ▶ Vuelva a conectar la alimentación en el panel de interruptores.

El DHC-E tiene una malla de filtro de sedimentos incorporada que debe limpiarse periódicamente.

- ▶ Apague el interruptor para desconectar la alimentación del calentador de agua.
- ▶ Cierre la válvula de cierre para cortar el suministro de agua al calentador de agua.
- ▶ Abra un grifo de agua caliente conectado para reducir la presión acumulada (esto minimizará las fugas al retirar la conexión de la entrada de agua fría).

- ▶ Desconecte el conector flexible de acero trenzado del accesorio de entrada de agua fría (derecha).
- ▶ Para quitar la malla de filtro de la parte inferior de la entrada de agua fría, inserte con cuidado un destornillador de cabeza plana justo por encima del borde de plástico de la malla de filtro y tire suavemente hacia abajo.
- ▶ Limpie la malla de filtro, vuelva a insertarla de manera segura en el accesorio de entrada de agua fría y vuelva a conectar el conector flexible de acero trenzado a la entrada de agua fría.
- ▶ Abra la válvula de cierre del suministro de agua fría.
- ▶ Abra el grifo de agua caliente durante unos minutos para sacar el aire de las tuberías y el calentador de agua. Mantenga el grifo abierto hasta que el flujo de agua sea continuo y se haya purgado todo el aire de las tuberías de agua.
- ▶ Encienda el interruptor para llevar energía eléctrica a la unidad.

16. Resolución de problemas



ADVERTENCIA Electrocuación
Nunca quite o reinstale la cubierta del calentador de agua sin cortar la electricidad que da servicio a la unidad. De lo contrario, podría sufrir lesiones personales o la muerte.



ADVERTENCIA Electrocuación
Para probar el calentador de agua con las luces de diagnóstico internas, este debe estar conectado a la fuente de alimentación.
Si realiza la prueba sin la cubierta, no toque ninguna parte del calentador de agua. Hacerlo podría provocar lesiones personales graves o la muerte.



Nota
 Para probar el calentador de agua con las luces de diagnóstico, el agua debe estar fluyendo a través de la unidad.

Luces de diagnóstico		
	Roja	Se ilumina en caso de falla
	Amarilla	Se ilumina en modo calentamiento./Parpadea cuando se alcanza el límite de salida
	Verde	Parpadea cuando el calentador de agua está conectado a la fuente de alimentación.

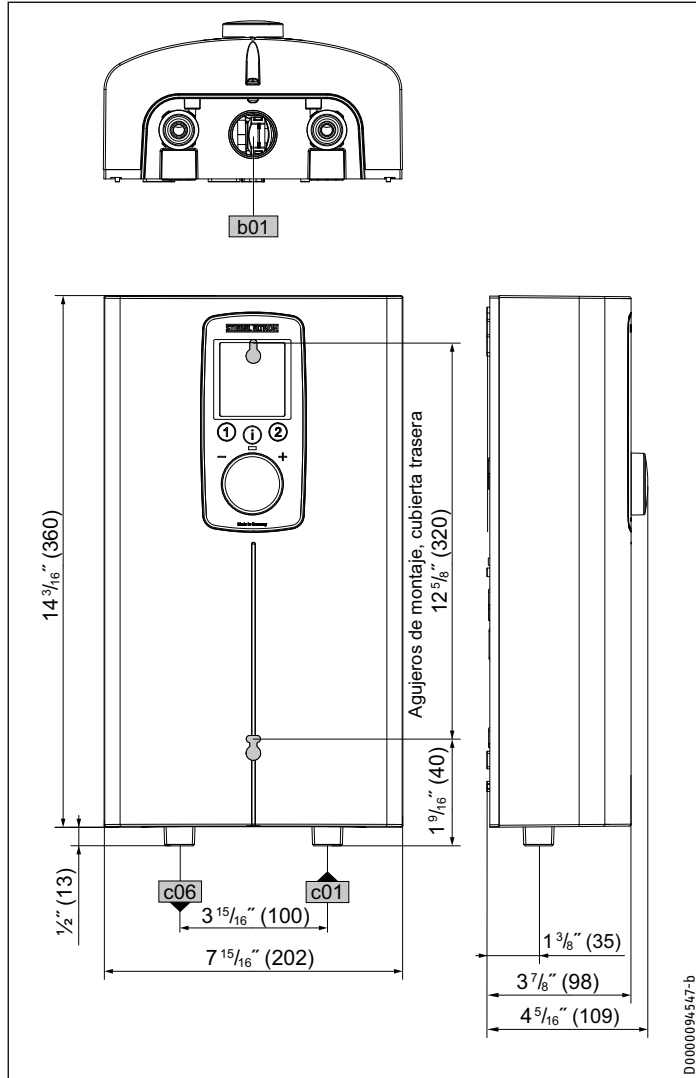
Luces de diagnóstico	Problema	Causa
te, rojo apagado		La válvula motorizada no funciona
Verde intermitente, amarilla apagada, roja encendida	No hay agua caliente	Se detectó la presencia de aire

Luces de diagnóstico	Pantalla de lectura	Problema	Causa
Verde intermitente, amarilla apagada, roja encendida	Hay una llave que parpadea (el menú "Fault code display" muestra E1 y la llave)	No hay ACS	El interruptor de seguridad activado durante la prueba
			El interruptor de seguridad por corte de seguridad por límite de temperatura, K
			El interruptor de seguridad nuevamente después de verificado el corte de seguridad por exceso de temperatura no funciona correctamente
			El interruptor de seguridad nuevamente; la PCI no funciona
	Hay una llave que parpadea (el menú "Fault code display" muestra E2 y la llave)	No hay ACS	La PCI no funciona correctamente cortó algún cable o hay un problema en el sensor de entrada)
	Hay una llave que parpadea (el menú "Fault code display" muestra E3 y la llave)	No hay ACS	Hay un cortocircuito en el sensor de entrada)

Luces de diagnóstico	Problema	Causa	Solución
Ninguna LED encendida	El calentador de agua no calienta	No hay electricidad	Verifique el disyuntor conectado en el panel del disyuntor principal no se haya disparado. Restablecer si es necesario
		La PCI no funciona correctamente	Reemplace la PCI
Verde intermitente, amarilla apagada, roja apagada	No hay ACS	La regadera/El aireador tiene incrustaciones	Desincruste o reemplace la regadera/el aireador si es necesario
		La malla de filtro de la entrada de agua fría está sucia	Limpie la malla de filtro. Consulte la sección 15.2, "Limpieza de la malla del filtro", pág. 49
		El sensor de flujo no está conectado	Conecte el cable a la PCI
		El sensor de flujo no funciona correctamente	Reemplace el sensor de flujo
		La PCI no funciona correctamente	Reemplace la PCI
Verde intermitente, amarilla encendida, roja apagada	La pantalla de la unidad de programación está apagada	Hay un cable suelto entre la PCI y la unidad de programación.	Compruebe el cable y conéctelo a la unidad de programación y/o al PCI
		El cable de la unidad de programación no funciona correctamente	Revise el cable y cámbielo si es necesario.
		La PCI de la unidad de programación no funciona correctamente	Reemplazar la unidad de programación, sólo disponible con una nueva cubierta del calentador
		La PCI no funciona correctamente	Reemplace la PCI
Verde intermitente, amarilla encendida, roja apagada	La temperatura de salida no coincide con el valor establecido	La unidad de programación no estaba enchufada antes de encenderla	Reinicie apagando la alimentación eléctrica del calentador de agua
		El sensor de salida no funciona correctamente	Reemplace el sensor de salida
		El grifo no funciona correctamente	Reemplace el grifo
		El sistema de calentamiento no funciona correctamente	Reemplace el sistema de calentamiento
		La PCI no funciona correctamente	Reemplace la PCI
Sólo para los modelos Plus: Verde intermitente, amarillo intermitente	La temperatura de salida no coincide con el valor establecido	Se alcanzó el límite motorizado de la válvula	Reduzca la temperatura establecida

17. Especificación

17.1 Dimensiones y conexiones



		DHC-E	
b02	Cables eléctricos de entrada		
c01	Entrada de agua fría	Rosca macho	NPT de 1/2 pulg.
c06	Salida del ACS	Rosca macho	NPT de 1/2 pulg.

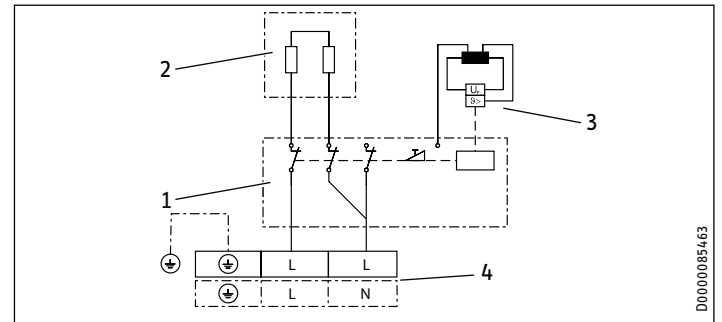
17.2 Diagramas de cableado

DHC-E 3/3.5-1 Trend

1/Neutro/Tierra (GND) ~ 120V

DHC-E 4/6-2 Trend

2/Tierra (GND) ~ 208 / 240 V

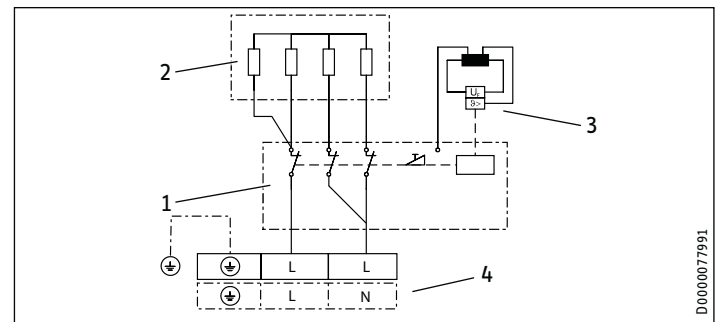


- 1 PCI de potencia con interruptor de seguridad integral
- 2 Sistema de calentamiento en espiral
- 3 Corte de seguridad por exceso del límite de temperatura
- 4 Bloque de cableado

DHC-E 8/10-2 Trend & Plus | DHC-E 12/15-2 Trend & Plus

2/Tierra (GND) ~ 208 / 240 V

1/Neutro/Tierra (GND) ~ 208 / 240 V



- 1 PCI de potencia con interruptor de seguridad integral
- 2 Sistema de calentamiento en espiral
- 3 Corte de seguridad por exceso del límite de temperatura
- 4 Bloque de cableado

INSTALACIÓN

Especificación

17.3 Salida del ACS

La salida del ACS depende de la fuente de alimentación conectada, la salida de potencia seleccionada del calentador de agua y la temperatura de entrada del agua fría. El voltaje nominal y la salida nominal se pueden encontrar en la placa de identificación.

Modelo	Potencia de salida en kW			Salida del ACS a 100°F en gpm			
	Tensión nominal			Temperatura de entrada de agua fría			
	120 V	208 V	240 V	41°F	50°F	59°F	68°F
DHC-E 3/3.5-1	3.0			0.35	0.41	0.5	0.64
Trend	3.5			0.41	0.48	0.58	0.75
		2.9		0.34	0.4	0.48	0.62
DHC-E 4/6-2		4.5		0.52	0.61	0.75	0.96
Trend			3.8	0.44	0.52	0.63	0.81
			6.0	0.69	0.82	1.0	1.28
		5.4		0.63	0.74	0.9	1.15
DHC-E 8/10-2		7.2		0.83	0.98	1.2	1.54
Trend			7.2	0.83	0.98	1.2	1.54
			9.6	1.11	1.31	1.6	2.05
DHC-E 12/15-2		9.0		1.04	1.23	1.5	1.92
Trend & Plus		10.8		1.24	1.46	1.78	2.28
			12.0	1.39	1.64	2.0	2.56
			14.4	1.67	1.97	2.4	3.07

Modelo	Potencia de salida en kW			Salida del ACS a 122°F en gpm			
	Tensión nominal			Temperatura de entrada de agua fría			
	120 V	208 V	240 V	41°F	50°F	59°F	68°F
DHC-E 3/3.5-1	3.0			-	0.28	0.33	0.38
Trend	3.5			0.3	0.33	0.38	0.44
		2.9		-	0.28	0.31	0.37
DHC-E 4/6-2		4.5		0.38	0.43	0.49	0.57
Trend			3.8	0.32	0.36	0.41	0.48
			6.0	0.51	0.57	0.65	0.76
		5.4		0.46	0.51	0.59	0.68
DHC-E 8/10-2		7.2		0.61	0.68	0.78	0.91
Trend & Plus			7.2	0.61	0.68	0.78	0.91
			9.6	0.81	0.91	1.04	1.21
DHC-E 12/15-2		9.0		0.76	0.85	0.98	1.14
Trend & Plus		10.8		0.9	1.02	1.16	1.35
			12.0	1.01	1.14	1.3	1.52
			14.4	1.21	1.37	1.56	1.82

Modelo	Potencia de salida en kW			Salida del ACS a 38°C en L/min			
	Tensión nominal			Temperatura de entrada de agua fría			
	120 V	208 V	240 V	5°C	10°C	15°C	20°C
DHC-E 3/3.5-1	3.0			1.3	1.5	1.9	2.4
Trend	3.5			1.5	1.8	2.2	2.8
		2.9		1.3	1.5	1.8	2.3
DHC-E 4/6-2		4.5		1.9	2.3	2.8	3.6
Trend			3.8	1.7	2.0	2.4	3.0
			6.0	2.6	3.1	3.7	4.8
		5.4		2.3	2.8	3.4	4.3
DHC-E 8/10-2		7.2		3.1	3.7	4.5	5.7
Trend			7.2	3.1	3.7	4.5	5.7
			9.6	4.2	4.9	6.0	7.6
DHC-E 12/15-2		9.0		3.9	4.6	5.6	7.1
Trend & Plus		10.8		4.6	5.5	6.6	8.5
			12.0	5.2	6.1	7.5	9.5
			14.4	6.2	7.3	8.9	11.4

Modelo	Potencia de salida en kW			Salida del ACS a 50°C en L/min			
	Tensión nominal			Temperatura de entrada de agua fría			
	120 V	208 V	240 V	5°C	10°C	15°C	20°C
DHC-E 3/3.5-1	3.0			1.0	1.1	1.2	1.4
Trend	3.5			1.1	1.3	1.4	1.7
		2.9		-	1.1	1.2	1.4
DHC-E 4/6-2		4.5		1.4	1.6	1.8	2.1
Trend			3.8	1.2	1.4	1.6	1.8
			6.0	1.9	2.1	2.4	2.9
		5.4		1.7	1.9	2.2	2.6
DHC-E 8/10-2		7.2		2.3	2.6	2.9	3.4
Trend & Plus			7.2	2.3	2.6	2.9	3.4
			9.6	3.0	3.4	3.9	4.6
DHC-E 12/15-2		9.0		2.9	3.2	3.7	4.3
Trend & Plus		10.8		3.4	3.8	4.4	5.1
			12.0	3.8	4.3	4.9	5.7
			14.4	4.6	5.1	5.9	6.9

17.4 Áreas de aplicación/tabla de conversión

Aquí se muestran los datos de resistividad y conductividad eléctrica.

Especificación estándar a 15°C	20°C			25°C		
	Resis- tividad $\rho \geq$	Conductividad $\sigma \leq$		Resis- tividad $\rho \geq$	Conductividad $\sigma \leq$	
	Ωcm	mS/m	$\mu\text{S/cm}$	Ωcm	mS/m	$\mu\text{S/cm}$
	1100	91	910	970	103	1031
				895	112	1117

17.4.1 Caída de presión, cómo calcular el tamaño de la tubería

Para calcular el tamaño de la tubería, se recomienda una caída de presión al calentador de agua de 14.5 psi (0.1 MPa).

17.5 Condiciones de falla

En caso de falla, durante la instalación pueden ocurrir brevemente temperaturas de hasta 176 °F (80 °C) a una presión de 145 psi (1.0 MPa).

INSTALACIÓN

Especificación

17.6 Tablas de datos

	DHC-E 3/3.5-1 Trend	DHC-E 4/6-2 Trend	
Número de artículo	200057	200061	
Datos eléctricos			
Fase (50/60 Hz)	1/N/GND	1/N/GND 2/GND	
Tensión nominal	120 V	240 V	208 V
Salida nominal ¹ , posición de puente 1 [baja] / 2 [alta]	3.0 kW / 3.5 kW	3.8 kW / 6.0 kW	2.9 kW / 4.5 kW
Corriente nominal, posición de puente 1 [baja] / 2 [alta]	25 A / 29.2 A	15.8 A / 25 A	13.9 A / 21.7 A
Tamaño de disyuntor recomendado ² , posición de puente 1 [baja] / 2 [alto]	25 A / 30 A	20 A / 25 A	15 A / 25 A
Tamaño mín. de cable recomendado ³ (cobre AWG), posición de puente 1 [baja] / 2 [alta]	10/2 AWG / 10/2 AWG	12/2 AWG / 10/2 AWG	14/2 AWG / 10/2 AWG
Mín. resistividad $\rho_{15} \geq$	1100 Ω cm		
Máx. conductividad $\sigma_{15} \leq$	910 $\mu\text{S/cm}$		
Conexiones			
Conexiones de agua	NPT de 1/2 pulg.		
Límites de aplicación			
Presión máx. permisible	145 psi (1 MPa)		
Temperatura máx. de entrada para recalentar	131 °F (55 °C)		
Temperatura máx. de entrada	149 °F (65 °C)		
Rango de temperatura seleccionable por el usuario	68–140 °F (20–60 °C)		
Valores del limitador de temperatura de protección anti-escaldadura interna	100/109/122/140 °F (38/43/50/60 °C)		
Datos hidráulicos			
Tasa de activación	0.264 gal (1.0 l/min)		
Capacidad nominal	0.07 gal (0.277 l)		
Versiones			
Tipo de instalación	Sobre el fregadero / bajo el fregadero		
Clase de protección	1		
Bloque aislante	Poliamida reforzada con vidrio		
Sistema de calentamiento	Calentamiento en espiral		
Cubierta y cubierta trasera	Plástico		
Color	Blanco		
Dimensiones			
Altura	14 ¹ / ₈ pulg. (360 mm)		
Ancho	8 pulg. (202 mm)		
Profundidad	4 ⁵ / ₁₆ pulg. (109 mm)		
Pesos			
Peso	5.5 lbs (2.5 kg)		

El DHC-E 3/3.5-1 Trend se suministra con un reductor/aerador de flujo compensador de presión de 0.5 gpm (1.9 l/min) que debe ser instalado.

El DHC-E 4/6-2 Trend se suministra con 2 x 0.5 gpm (1.9 l/min) y un reductor/aerador de flujo compensatorio de presión de 1.0 gpm (3.8 l/min) que debe ser instalado. Consulte la sección 11.3, "Instalación del aireador en el grifo conectado", pág. 45 para más información.

¹ La configuración predeterminada de fábrica es la posición del puente 2 [alta]

² Protección contra sobrecargas dimensionada al 100% de la carga. Los calentadores de agua sin tanque se consideran una carga no continua. Utilice solo disyuntores para tomas GFCI Clase A.

³ Se deben utilizar conductores de cobre con una temperatura nominal de 75 °C o superior. Los conductores deben dimensionarse para mantener una caída de voltaje de menos del 3% bajo carga.

Estas son nuestras recomendaciones. Verifique los códigos locales si es necesario.

INSTALACIÓN

Especificación

	DHC-E 8/10-2 Trend DHC-E 8/10-2 Plus	DHC-E 12/15-2 Trend DHC-E 12/15-2 Plus
Número de artículo	200058 (Trend) 202145 (Plus)	200059 (Trend) 200056 (Plus)
Datos eléctricos		
Fase (50/60 Hz)	1/N/GND 2/GND	
Tensión nominal	240 V	208 V
Salida nominal ¹ , posición de puente 1 [baja] / 2 [alta]	7.2 kW / 9.6 kW	5.4 kW / 7.2 kW
Corriente nominal, posición de puente 1 [baja] / 2 [alta]	30 A / 40 A	26 A / 34.6 A
Tamaño de disyuntor recomendado ² , posición de puente 1 [baja] / 2 [alto]	30 A / 40 A	30 A / 35 A
Tamaño mín. de cable recomendado ³ (cobre AWG), posición de puente 1 [baja] / 2 [alta]	10/2 AWG / 8/2 AWG	10/2 AWG / 8/2 AWG
Mín. resistividad $\rho_{15} \geq$	1100 Ω cm	
Máx. conductividad $\sigma_{15} \leq$	910 μ S/cm	
Conexiones		
Conexiones de agua	NPT de 1/2 pulg.	
Límites de aplicación		
Presión máx. permisible	145 psi (1 MPa)	
Temperatura máx. de entrada para recalentar	131 °F (55 °C)	
Temperatura máx. de entrada	149 °F (65 °C)	
Rango de temperatura seleccionable por el usuario	68-140 °F (20-60 °C)	
Valores del limitador de temperatura de protección anti-escaldadura interna	100, 109, 122, 140 °F (38, 43, 50, 60 °C)	
Datos hidráulicos		
Tasa de activación	0.264 gal (1.0 l/min)	
Capacidad nominal	0.07 gal (0.277 l)	
Versiones		
Tipo de instalación	Sobre el fregadero / bajo el fregadero	
Clase de protección	1	
Bloque aislante	Poliamida reforzada con vidrio	
Sistema de calentamiento	Calentamiento en espiral	
Cubierta y cubierta trasera	Plástico	
Color	Blanco	
Dimensiones		
Altura	14 1/8 pulg. (360 mm)	
Ancho	8 pulg. (202 mm)	
Profundidad	4 5/16 pulg. (109 mm)	
Pesos		
Peso	5.5 lbs (2.5 kg)	

¹ La configuración predeterminada de fábrica es la posición del puente 2 [alta]

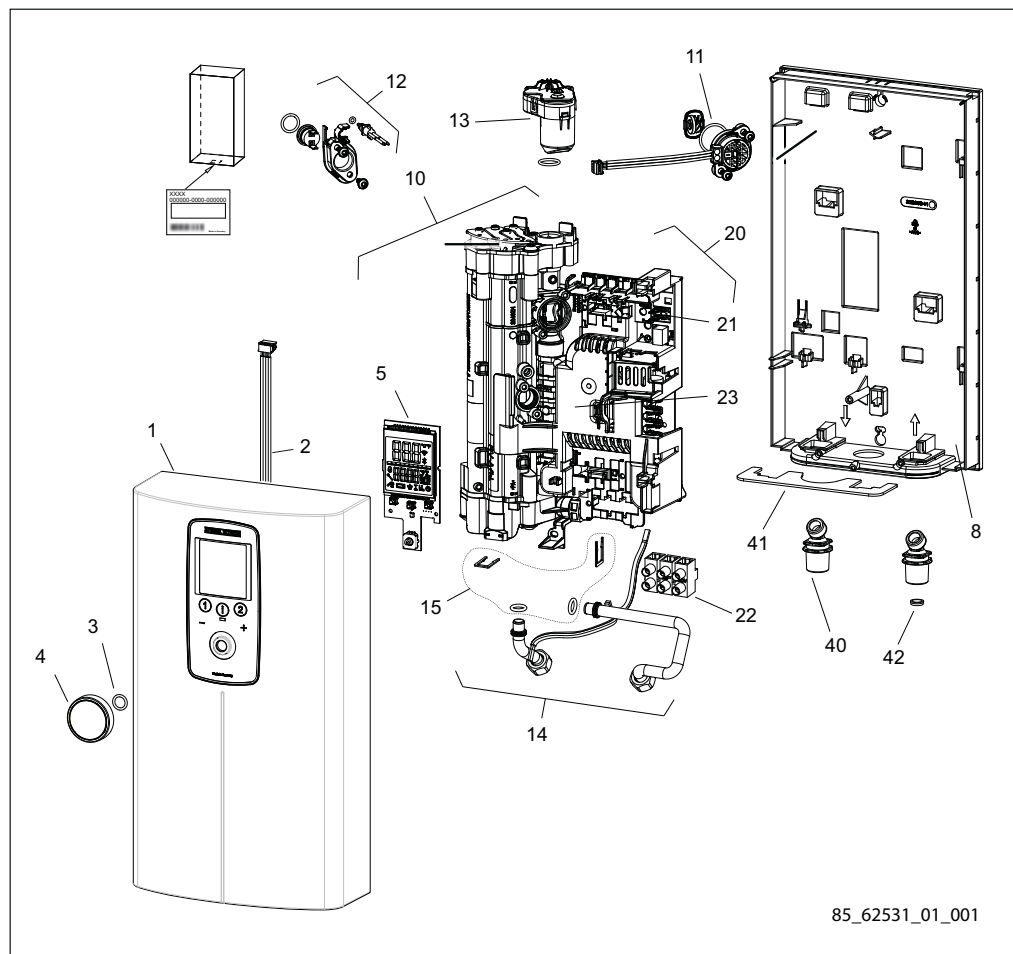
² Protección contra sobrecargas dimensionada al 100% de la carga. Los calentadores de agua sin tanque se consideran una carga no continua. Utilice solo disyuntores para tomas GFCI Clase A.

³ Se deben utilizar conductores de cobre con una temperatura nominal de 75 °C o superior. Los conductores deben dimensionarse para mantener una caída de voltaje de menos del 3% bajo carga.

Estas son nuestras recomendaciones. Verifique los códigos locales si es necesario.

18. Repuestos

No.	Repuesto	DHC-E 3/3.5-1 Trend	DHC-E 4/6-2 Trend	DHC-E 8/10-2 Trend	DHC-E 8/10-2 Plus	DHC-E 12/15-2 Trend	DHC-E 12/15-2 Plus
1	Cubierta (frente)	348146	348146	348146	348145	348146	348145
2	Cable de conexión de la PCI	158010	158010	158010	158010	158010	158010
3	Junta tórica 9.5x2 EPDM	269351	269351	269351	269351	269351	269351
4	Perilla de control	323686	323686	323686	323686	323686	323686
5	Pantalla LCD	332991	332991	332991	332992	332991	332992
8	Cubierta (atrás)	348143	348143	348143	348143	348143	348143
10	Sistema de calentamiento	344153	344154	344152	344149	344150	344147
11	Sensor de flujo	339979	339979	339979	339979	339979	339979
12	Corte de seguridad de alto límite con autorreajuste, Klixon, con sensor de salida	340528	340528	340528	340528	340528	340528
13	Válvula motorizada	-	-	-	220502	-	220502
14	Conjunto de codo de tubo	340542	340542	340542	340542	340542	340542
15	Juego de conexión de codo de tubería (incluye clips y juntas)	320540	320540	320540	320540	320540	320540
20	Placa electrónica de la PCI	344144	344145	344143	344140	344141	344138
21	Puente (rojo)	283455	283455	283455	283455	283455	283455
22	Bloque de cableado	326655	326655	326655	326655	326655	326655
23	Cubierta de electrónica	344146	344146	344146	344146	344146	344146
40	Conexiones de tubería (x2) - 1/2 pulg. NPT / G3/8 pulg.	326589	326589	326589	326589	326589	326589
41	Hoja de bloqueo	326234	326234	326234	326234	326234	326234
42	Malla de filtro	275981	275981	275981	275981	275981	275981



19. Garantía

Sujeto a los términos y condiciones expresados en esta Garantía Limitada de por vida, Stiebel Eltron, Inc. (el "Fabricante") por la presente asegura al comprador original (el "Propietario") que cada calentador de agua eléctrico de calor sin tanque (el "Calentador") no deberá (i) tener fugas debido a defectos en los materiales del fabricante o mano de obra por un período de diez (10) años desde la fecha de compra o (ii) falla debido a defectos en los materiales o mano de obra del fabricante por un período de tres (3) años a partir de la fecha de compra. Como única y exclusiva solución para el Propietario en cuanto a la presente garantía, el Fabricante, a discreción del Fabricante, reparará en fábrica o reemplazará el Calentador defectuoso con una unidad o repuesto de reemplazo con características de funcionamiento comparables. La máxima responsabilidad del Fabricante en cualquier circunstancia se limitará al precio de compra del Calentador que pagó el Propietario.

Esta garantía limitada será la garantía exclusiva que el Fabricante otorga, y reemplaza todas las demás garantías, expresas o implícitas, escritas u orales, que incluyen pero no se limitan a las garantías de comerciabilidad o adecuación para un fin determinado. El Fabricante no será responsable de daños incidentales, indirectos o contingentes o gastos que surjan, de manera directa o indirecta, de cualquier defecto del Calentador o del uso del mismo. El Fabricante no será responsable por daños ocasionados por el agua o cualquier otro daño a la propiedad del Propietario que surja, de manera directa o indirecta, de cualquier defecto del Calentador o del uso del mismo. Solo el Fabricante está autorizado a conceder todas las garantías en representación del Fabricante, y ninguna declaración o garantía realizada por cualquier otra parte será vinculante para el Fabricante.

El Fabricante no será responsable de ningún daño relacionado o causado por:

1. cualquier uso indebido o falta de cuidado del Calentador, cualquier accidente que afecte al Calentador, cualquier alteración al Calentador, o cualquier otro uso incorrecto;
2. casos fortuitos o circunstancias sobre las cuales el Fabricante no tiene control;
3. instalación del Calentador que se desvíe de las directivas del Fabricante o no observe los códigos de

construcción pertinentes;

4. negligencia en cuanto a mantener el Calentador u operar el Calentador según las especificaciones del Fabricante;
5. hacer funcionar el Calentador en condiciones de presión de agua fluctuante o en caso de que el Calentador se alimente de agua no potable durante un período de cualquier duración;
6. instalación defectuosa y/o uso de materiales inapropiados por parte de cualquier instalador y que no se relacione con defectos en los repuestos o la mano de obra del Fabricante;
7. mover el Calentador de su lugar original de instalación;
8. exposición a condiciones de congelamiento;
9. los problemas de calidad del agua, como el agua corrosiva, el agua dura y agua contaminada con contaminantes o aditivos;

Si el Propietario desea devolver el Calentador al Fabricante para su reparación o reemplazo bajo esta garantía, el Propietario debe obtener primero la autorización por escrito del Fabricante. El Propietario deberá presentar una prueba de compra, incluida la fecha de compra, y será responsable de los costos de desinstalación y transporte. Si el Propietario no puede demostrar una fecha de compra, esta garantía se limitará al período que comienza a partir de la fecha de compra impresa en el Calentador. El Fabricante se reserva el derecho de negar la cobertura de esta garantía después de examinar el Calentador. Esta garantía se limita al Propietario y es intransferible.

Algunos Estados y Provincias no permiten la exclusión o limitación de ciertas Garantías. En dichos casos, las limitaciones aquí expresadas pueden no aplicarse al Propietario. En dichos casos esta Garantía se limitará al período más corto y las menores cifras de daños permitidas por ley. Esta Garantía le da derechos legales específicos y puede que usted tenga otros derechos que variarán de Estado a Estado y de Provincia a Provincia.

El Propietario será responsable de todos los costos de mano de obra y otros cargos incurridos al retirar o reparar el Calentador en el lugar de instalación. Por favor obsérvese que el Calentador debe instalarse de tal manera que, en caso de pérdida, el flujo de agua de la pérdida no dañe el lugar en que está instalado.

Medio ambiente y reciclaje

Por favor, ayúdenos a proteger el medio ambiente eliminando el embalaje de acuerdo con las regulaciones nacionales para el procesamiento de residuos.

Esta garantía es válida sólo para EE.UU. y Canadá. Las garantías pueden variar según el país. Por favor, consulte a su representante local de Stiebel Eltron para la garantía de su país.



La instalación, la conexión eléctrica y la primera operación de este aparato debe ser realizado por un calificado instalador.



La empresa no se hace responsable de los fallos de los bienes suministrados que no se hayan instalado y operado de acuerdo con las instrucciones del fabricante.

TABLE DES MATIÈRES

GUIDE DE DÉMARRAGE RAPIDE

INFORMATIONS SPÉCIALES

OPÉRATION

1. Informations générales	61
1.1 Instructions de sécurité	61
1.2 Autres symboles dans cette documentation	61
1.3 Unités de mesure	61
2. Sécurité	61
2.1 Utilisation prévue	61
2.2 Instructions générales de sécurité	61
2.3 Label de conformité	62
2.4 Homologation	62
3. Inscrivez votre produit	62
4. Description du chauffe-eau	63
5. Paramètres et affichages	63
5.1 Interface utilisateur du DHC-E Trend	63
5.2 Interface utilisateur du DHC-E Plus	64
5.3 Utilisation des menus d'affichage	64
5.4 Affichage du DHC-E Trend	65
5.5 Affichage du DHC-E Plus	66
5.6 Options de préréglage de la température	69
5.7 Menu d'erreur	69
5.8 Retour à l'affichage de base	69
5.9 Paramètres recommandés	70
6. Nettoyage, entretien et maintenance	70
7. Dépannage	70

INSTALLATION

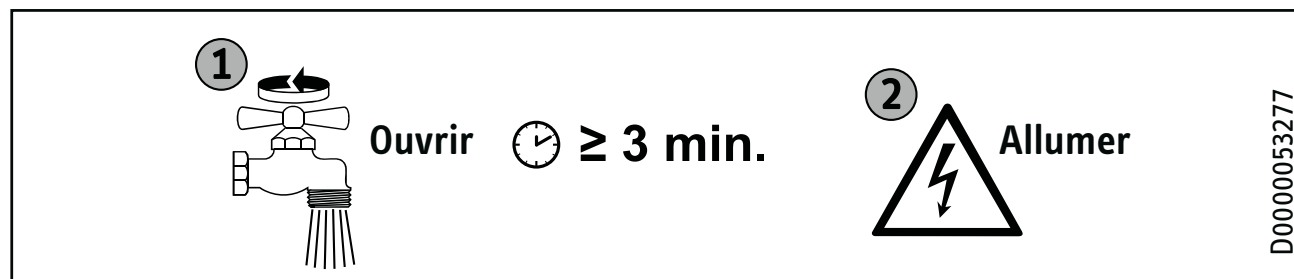
8. Sécurité	71
8.1 Instructions générales de sécurité	71
8.2 Instructions, normes et règlements	71
9. Description du chauffe-eau	71
9.1 Livraison standard	71
10. Préparation	71
10.1 Site d'installation	71
10.2 Dégagements minimaux	72
11. Installation	72
11.1 Installation murale standard	72
11.2 Raccordements à l'eau	72
11.3 Installation d'un aérateur au niveau du robinet raccordé	73
11.4 Connexion électrique	74
11.5 Connexion électrique avec un câble d'alimentation court	74
11.6 Bloc de câblage	75
12. Mise en service	75
12.1 Protection interne contre l'ébouillantage grâce à une fente pour cavalier	75
12.2 Changement de la puissance de sortie via la fente du cavalier	76
12.3 Démarrage initial	76
12.4 Fonctionnement avec de l'eau préchauffée	77
12.5 Remise en service	77

13. Arrêt du chauffe-eau	77
14. Informations sur les services	77
15. Maintenance	78
15.1 Vidange du chauffe-eau	78
15.2 Nettoyage de la grille de filtrage	78
16. Dépannage	79
17. Spécification	81
17.1 Dimensions et connexions	81
17.2 Schémas de câblage	81
17.3 Production d'eau chaude	82
17.4 Domaines d'application/tableau de conversion	82
17.5 Conditions de défaillance	82
17.6 Tableaux de données	83
18. Pièces de rechange	85
19. Garantie	86

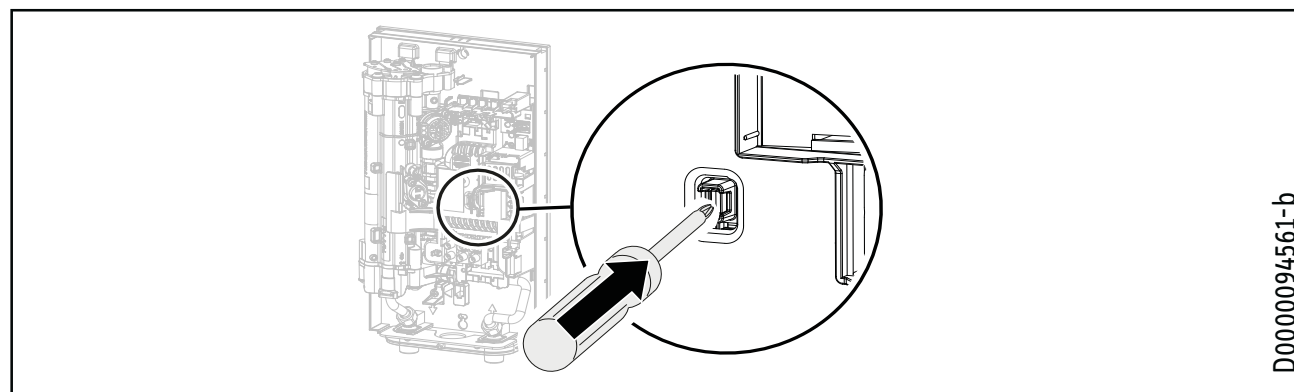
GUIDE DE DÉMARRAGE RAPIDE

Avant de mettre le chauffe-eau sous tension, vous DEVEZ évacuer tout l'air du système, puis enclencher l'interrupteur de sécurité AE3. L'appareil ne fonctionnera PAS tant que l'interrupteur de sécurité AE3 n'aura pas été enclenché.

- 1** Fixer l'appareil au mur (Voir section 11.1, « Installation murale standard », pg. 72).
- 2** Raccorder les branchements d'eau (Voir section 11.2, « Raccordements à l'eau », pg. 72).
- 3** Branchez les connexions électriques, mais gardez le disjoncteur éteint. (Voir section 11.4, « Connexion électrique », pg. 74)



- 4** Ouvrez et fermez toutes les vannes de tirage connectées au moins 5 fois, pendant au moins 3 minutes au total, jusqu'à ce que tout l'air ait été purgé de la tuyauterie et du chauffe-eau.
- 5** Assurez-vous qu'il n'y a pas de fuites d'eau au niveau des raccords de plomberie.



- 6** Engagez l'interrupteur de sécurité AE3 en appuyant fermement sur le bouton blanc de réarmement jusqu'à ce qu'il s'enclenche et se verrouille complètement en place (le chauffe-eau est livré avec l'interrupteur de sécurité désengagé).
- 7** Mettez le chauffe-eau sous tension à l'aide du disjoncteur situé dans le tableau des disjoncteurs.

INFORMATIONS SPÉCIALES

- Lisez ce manuel dans son intégralité. Le non-respect de tous les guides, instructions et règles peut entraîner des blessures ou des dommages matériels. Une installation, un réglage, une modification, un entretien et une utilisation incorrects de cet appareil peuvent entraîner des blessures graves.
- Cet appareil doit être installé par un électricien et un plombier agréés. L'installation doit être conforme à tous les codes nationaux, régionaux et locaux de plomberie et d'électricité. L'installation correcte est la responsabilité de l'installateur. Le non-respect des instructions d'installation et d'utilisation ou une utilisation incorrecte annule la garantie.
- Conservez ces instructions pour référence ultérieure. L'installateur doit laisser ces instructions au consommateur.
- Si vous avez des questions concernant l'installation, l'utilisation ou le fonctionnement de ce chauffe-eau, ou si vous avez besoin de manuels d'installation supplémentaires, veuillez appeler notre ligne de service technique au 800.582.8423 (États-Unis et Canada uniquement). Si vous appelez de l'extérieur des États-Unis ou du Canada, veuillez composer le 413.247.3380 et nous vous dirigerons vers un représentant de service qualifié de Stiebel Eltron dans votre région.
- Le chauffe-eau est adapté à l'alimentation d'une douche dans de nombreux climats (fonctionnement en douche). Si le chauffe-eau est également ou exclusivement utilisé pour la douche, l'entrepreneur qualifié doit ajuster la plage de réglage de la température à 50 °C (122 °F) ou moins en utilisant la protection interne anti-brûlure du chauffe-eau. En cas d'utilisation d'eau préchauffée, il faut s'assurer que la température d'entrée ne dépasse pas 55 °C (131 °F).
- La tension spécifiée doit correspondre à l'alimentation électrique. Voir la plaque signalétique sur le côté droit du chauffe-eau pour des informations complètes.
- Assurez-vous que le chauffe-eau peut être séparé de l'alimentation électrique par un disjoncteur qui déconnecte tous les pôles avec une séparation des contacts d'au moins 3 mm (1/8 po.).
- ATTENTION : NE PAS INSTALLER DANS UNE ENCEINTE DE BAIN OU UNE CABINE DE DOUCHE.
NE PAS RACCORDER À UN ADOUCISSEUR D'EAU RÉGÉNÉRÉ PAR LE SEL OU À UNE SOURCE D'EAU SALÉE. À N'UTILISER QUE SUR UN CIRCUIT DE DÉRIVATION INDIVIDUEL.
ATTENTION : NE RACCORDER QU'À UN CIRCUIT PROTÉGÉ PAR UN DISJONCTEUR DE FUITE À LA TERRE DE CLASSE A
UTILISER LE CONDUCTEUR DE LIAISON CONFORMÉMENT AU CODE CANADIEN DE L'ÉLECTRICITÉ, PARTIE
- Le chauffe-eau doit être correctement mis à la terre. Voir section 17.2, « Schémas de câblage », pg. 81.
- Le chauffe-eau doit être raccordé en permanence à un câblage fixe. À utiliser uniquement sur un circuit de dérivation individuel. Voir section 17.2, « Schémas de câblage », pg. 81.
- Fixez le chauffe-eau comme décrit dans le chapitre 11, « Installation », pg. 72.
- Respectez la pression d'alimentation en eau minimale autorisée de 1,8 bar (26,1 psi). Voir section 17.6, « Tableaux de données », pg. 83.
- Respectez la pression d'alimentation en eau maximale autorisée de 10 bars (145 psi). Voir section 17.6, « Tableaux de données », pg. 83.
- Vidangez le chauffe-eau comme décrit dans la section 15.1, « Vidange du chauffe-eau », pg. 78.

OPÉRATION

1. Informations générales

Les chapitres «Informations spéciales» et «Fonctionnement» sont destinés à la fois aux utilisateurs et aux entrepreneurs qualifiés.

Le chapitre «Installation» est destiné aux entrepreneurs qualifiés.

**Note**

Lisez attentivement ces instructions avant d'utiliser le chauffe-eau et conservez-les pour vous y référer ultérieurement. Transmettez les instructions à un nouvel utilisateur si nécessaire.

1.1 Instructions de sécurité

1.1.1 Structure des consignes de sécurité

**MOT-CLÉ Type de risque**

Ici sont énumérées les conséquences possibles qui peuvent résulter du non-respect des consignes de sécurité.

► Les mesures à prendre pour prévenir le risque sont énumérées.

1.1.2 Symboles, type de risque

Symbole	Type de risque
	Blessure
	Électrocution
	Brûlures ou ébouillancements

1.1.3 Mots-clés

MOT-CLÉ	Signification
DANGER	La non-observation de ces informations entraîne des blessures graves, voire la mort.
AVERTISSEMENT	La non-observation de ces informations peut entraîner des blessures graves, voire la mort.
ATTENTION	La non-observation de ces informations peut entraîner des blessures moyennement graves ou légères.

1.2 Autres symboles dans cette documentation

**Note**

Les informations générales sont identifiées par le symbole ci-contre. Lisez attentivement ces textes.

Symbole	Signification
	Pertes matérielles (dommages aux chauffe-eau, pertes matérielles et dommages au site d'installation)

► Ce symbole indique que vous devez faire quelque chose. L'action que vous devez entreprendre est décrite étape par étape.

1.3 Unités de mesure

**Note**

Toutes les mesures sont indiquées en millimètres (pouces), sauf indication contraire.

2. Sécurité

2.1 Utilisation prévue

Ce chauffe-eau convient pour le chauffage de l'eau chaude sanitaire ou pour le réchauffement de l'eau préchauffée. Le chauffe-eau peut alimenter un ou plusieurs points de prélèvement.

L'eau ne sera pas réchauffée si la température d'entrée maximale pour le réchauffement est dépassée.

Le chauffe-eau est destiné à un usage domestique. Il peut être utilisé en toute sécurité par des personnes non formées. Le chauffe-eau peut également être utilisé dans des environnements non domestiques, par exemple dans de petites entreprises, pour autant qu'il soit utilisé de la même manière.

Toute autre utilisation que celle décrite est considérée comme inappropriée. Le respect de ces instructions et des instructions relatives aux accessoires utilisés fait également partie de l'utilisation correcte de ce chauffe-eau.

2.2 Instructions générales de sécurité

**DANGER : Brûlures**

Une température de l'eau supérieure à 52 °C (125 °F) peut provoquer de graves brûlures instantanées ou la mort par échaudage. Un risque d'échaudure existe si le thermostat du chauffe-eau est réglé trop haut. Les ménages avec de jeunes enfants, des personnes handicapées ou âgées peuvent avoir besoin que le thermostat soit réglé à 43 °C (110 °F) ou moins pour éviter les risques de blessures dues à l'eau chaude.

Inscrivez votre produit



ATTENTION : Brûlures

En cas de fonctionnement avec de l'eau préchauffée, par exemple à partir d'une installation solaire thermique, la température de l'ECS peut varier par rapport à la température de consigne sélectionnée.



ATTENTION : Brûlures

En fonctionnement, le robinet peut atteindre des températures allant jusqu'à 65 °C (149 °F). Il existe un risque d'échaudure à des températures de sortie supérieures de 43 °C (110 °F).



DANGER : Blessure

Veuillez lire et suivre ces instructions. Le non-respect de ces instructions peut entraîner des blessures graves ou la mort.



ATTENTION : NE PAS INSTALLER DANS UNE ENCEINTE DE BAIN OU UNE CABINE DE DOUCHE. NE PAS RACCORDER À UN ADOUCISSEUR D'EAU RÉGÉNÉRÉ AU SEL OU UNE EAU L'APPROVISIONNEMENT EN EAU SALÉE.

A UTILISER UNIQUEMENT SUR UN CIRCUIT DE DÉRIVATION INDIVIDUEL.

ATTENTION : SE CONNECTER UNIQUEMENT À UN CIRCUIT PROTÉGÉ PAR UN DISJONCTEUR DE FUITE À LA TERRE DE CLASSE A

UTILISER LE CONDUCTEUR DE LIAISON CONFORMÉMENT AU CODE CANADIEN DE L'ÉLECTRICITÉ, PARTIE I



DANGER : Électrocution

Avant de procéder à toute installation, réglage, modification ou entretien de cet appareil, tous les disjoncteurs et sectionneurs qui desservent l'appareil doivent être éteints. Le non-respect de cette consigne peut entraîner des blessures graves ou la mort.



DANGER : Électrocution

Ne retirez jamais le couvercle du chauffe-eau, sauf si l'électricité qui alimente le chauffe-eau est coupée. Le non-respect de cette consigne peut entraîner des blessures ou la mort.



AVERTISSEMENT : Électrocution

Le raccordement à l'alimentation électrique n'est autorisé qu'en tant que connexion permanente en liaison avec une pince Romex 3/4 po. Assurez-vous que le chauffe-eau peut être séparé de l'alimentation électrique par un isolateur qui déconnecte tous les pôles avec une séparation des contacts d'au moins 3 mm (1/8 po.).



DOMMAGES AU CHAUFFE-EAU ET À L'ENVIRONNEMENT :

Le chauffe-eau doit être installé par un électricien et un plombier agréés. L'installation doit être conforme à tous les codes nationaux, régionaux et locaux de plomberie et d'électricité. L'entretien du chauffe-eau doit être effectué par des techniciens qualifiés.



DOMMAGES AU CHAUFFE-EAU ET À L'ENVIRONNEMENT :

Cet appareil ne doit être alimenté que par un système mis à la terre. Une borne verte (ou un connecteur de fil marqué « G », « GR », « MASSE », OU « MISE A LA MASSE ») est prévue pour le câblage de l'appareil. Pour réduire le risque de choc électrique, connectez cette borne ou ce connecteur à la borne de mise à la terre du panneau de service ou d'alimentation électrique avec un fil de cuivre continu, conformément au code des installations électriques.



AVERTISSEMENT : Blessure

Lorsque des enfants ou des personnes aux capacités physiques, sensorielles ou mentales limitées doivent être autorisés à commander ce chauffe-eau, assurez-vous que cela ne se fera que sous la surveillance ou après des instructions appropriées d'une personne responsable de leur sécurité. Les enfants doivent être surveillés afin de s'assurer qu'ils ne jouent jamais avec le chauffe-eau.

Lorsque des enfants ou des personnes aux capacités physiques, sensorielles ou mentales limitées sont autorisés à utiliser ce chauffe-eau, nous recommandons une limite de température permanente. Les options de limitation suivantes sont disponibles :

- Réglable par l'utilisateur : Limite de température (sécurité enfants)
- Entrepreneur qualifié ajustable : « Protection interne contre l'échaudure »



Pertes matérielles

L'utilisateur doit protéger le chauffe-eau contre le gel.

2.3 Label de conformité

Voir la plaque signalétique de l'appareil.

2.4 Homologation

- UL (U.S.A.) norme 499
- CSA (Canada) norme C22.2 No. 64

3. Inscrivez votre produit



Vous devez inscrire votre produit dans les 90 jours qui suivent la date d'achat sur notre site internet pour activer la garantie normale ou pour pouvoir réclamer la garantie prolongée. Rendez-vous à notre site internet à l'adresse suivante : www.stiebel-eltron-usa.com et cliquez sur « Register Your Product » (inscrivez votre produit).

Avant de lancer le processus d'inscription, nous vous conseillons d'avoir à portée de main la documentation nécessaire, à savoir :
Modèle, Exemple : DHC-E 4/6-2 Trend (de l'étiquette qui se trouve sur l'appareil)
Numéro apparaissant après « No. » (N°)
Lieu d'achat

Date d'achat
Prénom et nom de famille
Adresse courriel
Adresse postale
Numéro de téléphone
Date d'installation

Si vous avez des questions concernant le processus d'enregistrement ou la garantie, veuillez contacter directement Stiebel Eltron USA au 800.582.8423.

4. Description du chauffe-eau

Le chauffe-eau se met automatiquement en marche dès qu'un robinet d'eau chaude ou un autre point de prélèvement est ouvert. Le DHC-E chauffe l'eau au fur et à mesure qu'elle circule dans l'appareil. Lorsque le robinet est fermé, le chauffe-eau s'éteint automatiquement.

À partir du débit d'activation, l'unité de commande électronique régule la puissance de chauffage correcte en utilisant uniquement la puissance minimale nécessaire, en fonction de la température sélectionnée et de la température actuelle de l'eau froide entrante.

Le DHC-E Trend et le DHC-E Plus sont des chauffe-eau sans réservoir à commande électronique, et maintiennent une température de sortie constante. Ceci est indépendant de la température de l'eau d'entrée, jusqu'à la puissance maximale du chauffe-eau.

Les modèles DHC-E Plus sont équipés de la technologie Contrôleur du Débit Avancé™, une technologie brevetée par Stiebel Eltron en Allemagne (brevet n° DE 3805441 C2). Lorsque le rendement maximal d'un modèle DHC-E Plus est atteint, plutôt que de s'écarter de la température de consigne et de fournir de l'eau plus froide, les modèles DHC-E Plus utilisent une vanne motorisée à commande électronique pour réduire légèrement le débit d'eau uniquement dans la mesure nécessaire pour maintenir la température choisie par l'utilisateur. Lorsque la demande peut à nouveau être entièrement satisfaite, la vanne motorisée revient en position complètement ouverte, permettant ainsi le plein débit. Cela permet d'assurer un confort ininterrompu et de fournir de l'eau chaude à la température souhaitée à tout moment.

Si le chauffe-eau fonctionne avec de l'eau préchauffée, et que la température d'entrée dépasse la température de consigne sélectionnée, la température d'entrée s'affiche sur la deuxième ligne de l'écran (modèles DHC-E Plus uniquement) et clignote. L'eau n'est pas chauffée davantage.

Les modèles DHC-E sont équipés de fonctions permettant de limiter la température en permanence (sécurité enfants).

Le rétro-éclairage de l'écran s'allume automatiquement dès que l'eau traverse l'appareil, ou si un changement est effectué au niveau de l'interface utilisateur. Le rétro-éclairage s'éteint automatiquement si aucune modification n'est effectuée pendant 30 secondes, ou 5 secondes après l'arrêt de la consommation d'eau chaude.

Les modèles DHC-E permettent à l'utilisateur d'enregistrer différentes températures pré-réglées et de les appliquer rapidement.

Les modèles DHC-E Plus offrent également un affichage à deux lignes plus détaillé avec des fonctions améliorées. Le modèle DHC-E Trend dispose d'un écran à une rangée et d'un ensemble de fonctions plus basiques pour l'utilisateur.

Température de l'eau chaude sanitaire (ECS)

La température de sortie de l'eau chaude sanitaire peut être réglée de manière variable entre 20 et 60 °C (68 et 140 °F). La température sélectionnée est affichée.

Système de chauffage

Le système de chauffage enroulé est composé d'une chambre de chauffage en polyamide renforcé de verre, testé sous pression, avec un serpentin de chauffage direct en fil nichrome. Il convient aux zones d'eau dure et d'eau douce et est largement insensible à l'entartrage. Le système de chauffage enroulé assure une production d'eau chaude sanitaire rapide et efficace.

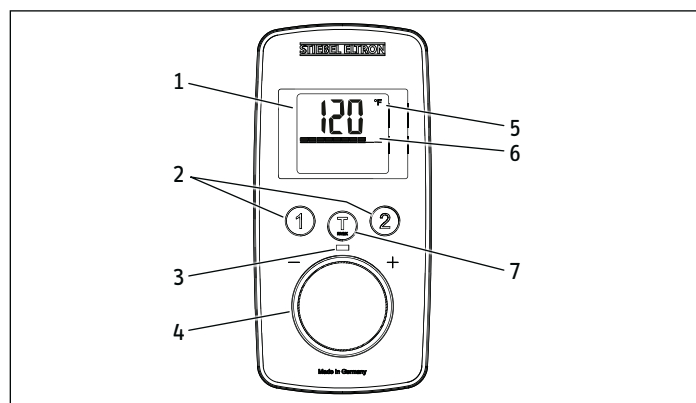


Note

Le chauffe-eau est équipé d'un détecteur d'air qui empêche en grande partie d'endommager le système de chauffage. Si, pendant le fonctionnement, de l'air est aspiré dans le chauffe-eau, celui-ci coupe la puissance de chauffage pendant une minute pour protéger le système de chauffage.

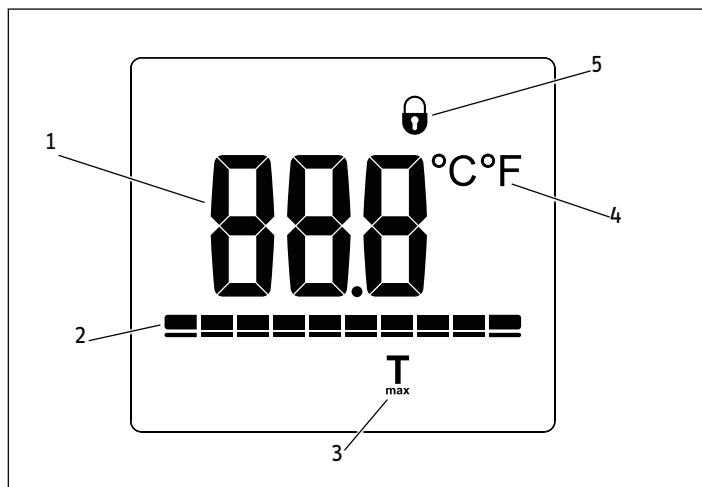
5. Paramètres et affichages

5.1 Interface utilisateur du DHC-E Trend



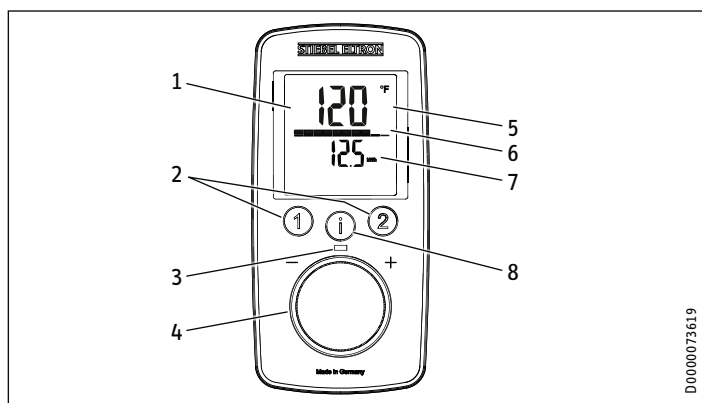
- 1 Affichage rétroéclairé
- 2 Touches de mémorisation de la température
- 3 LED de fonctionnement (clignote lorsque la limite de sortie est atteinte)
- 4 Bouton de commande
- 5 Affichage principal | affichage des informations | affichage des paramètres
- 6 Affichage par segment [10-100%]
- 7 «Bouton « T_{max} »

5.1.1 Vue d'ensemble de l'affichage du DHC-E Trend



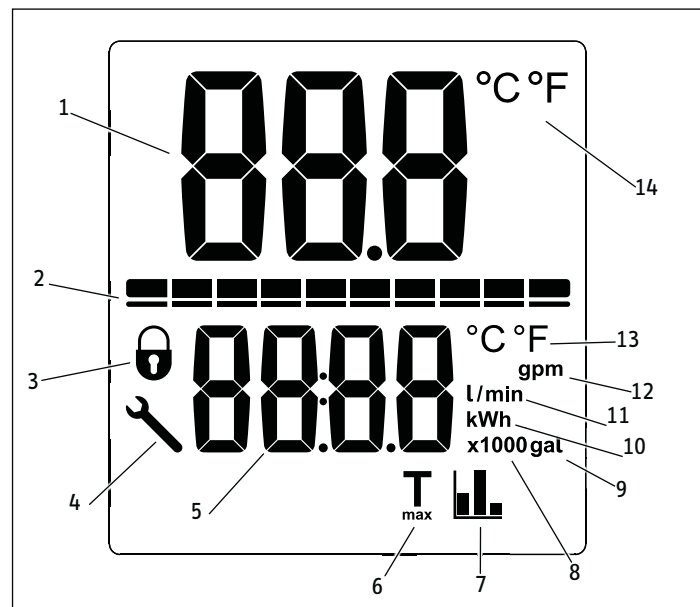
- 1 Affichage des chiffres
- 2 État de la capacité de production d'énergie
- 3 Indicateur T_{max}
- 4 Indicateur d'unité de température
- 5 Indicateur de verrouillage de l'affichage

5.2 Interface utilisateur du DHC-E Plus



- 1 Affichage rétroéclairé
- 2 Touches de mémorisation de la température
- 3 LED de fonctionnement (clignote lorsque la limite de sortie est atteinte)
- 4 Bouton de commande
- 5 Affichage principal | affichage des informations | affichage des paramètres
- 6 Affichage par segment [10-100%]
- 7 Deuxième ligne de l'écran (DHC-E Plus uniquement)
- 8 Bouton «i» pour récupérer les informations et sélectionner les menus

5.2.1 Vue d'ensemble de l'affichage du DHC-E Plus



- 1 Affichage des chiffres primaires
- 2 État de la capacité de production d'énergie
- 3 Indicateur de verrouillage de l'affichage
- 4 Symbole de code d'erreur
- 5 Affichage des chiffres secondaires
- 6 Indicateur T_{max}
- 7 Indicateur des statistiques sur l'épargne
- 8 x1000 valeur d'affichage secondaire
- 9 Gallons unité d'affichage secondaire
- 10 kWh unité d'affichage secondaire
- 11 Litres et litres par minute unité d'affichage secondaire
- 12 Gallons par minute unité d'affichage secondaire
- 13 Unité de température pour l'affichage secondaire
- 14 Unité de température pour l'affichage primaire

5.3 Utilisation des menus d'affichage

Le DHC-E Trend et le DHC-E Plus sont dotés d'un écran interactif qui permet de personnaliser l'appareil afin d'accroître le niveau de confort de l'utilisateur.

La structure du menu est conçue de manière intuitive et linéaire pour le rendre le plus navigable possible.

5.3.1 Entrée de l'utilisateur du DHC-E Trend

Entrée de l'utilisateur



Bouton T_{max} (la pression ou le maintien de ce bouton remplit différentes fonctions)

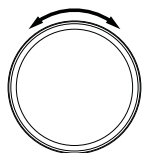


Bouton de pré-réglage 1 (la pression ou le maintien de ce bouton remplit différentes fonctions)

Entrée de l'utilisateur



Bouton de pré-réglage 2 (la pression ou le maintien de ce bouton remplit différentes fonctions)



Bouton de commande (tourner le bouton pour modifier les réglages)

5.3.2 Entrée de l'utilisateur du DHC-E Plus

Entrée de l'utilisateur



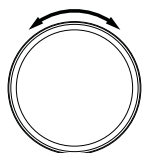
Bouton d'information (le fait d'appuyer ou de maintenir ce bouton remplit différentes fonctions)



Bouton de pré-réglage 1 (la pression ou le maintien de ce bouton remplit différentes fonctions)



Bouton de pré-réglage 2 (la pression ou le maintien de ce bouton remplit différentes fonctions)



Bouton de commande (tourner le bouton pour modifier les réglages)

5.4 Affichage du DHC-E Trend

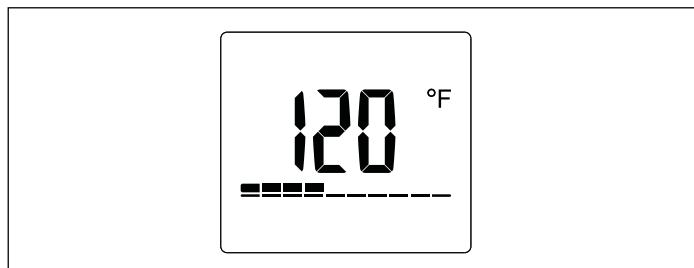
L'écran du DHC-E Trend comporte un affichage de la température et de la capacité de puissance. L'écran est rétro-éclairé et s'allume dès qu'une entrée de l'utilisateur est détectée. Le rétroéclairage s'éteint et se désactive si aucune entrée de l'utilisateur n'a été détectée pendant 30 secondes.

Pour connaître le nom de chaque élément d'affichage sur le DHC-E Trend, consultez la section 5.1.1, « Vue d'ensemble de l'affichage du DHC-E Trend », pg. 64.

5.4.1 Affichage de la base

L'écran de base affiche la température de consigne actuelle dans l'unité de température que vous préférez. La barre située sous la température indique la capacité de fonctionnement actuelle. Lorsque la demande d'eau chaude fluctue, l'état de la capacité de fonctionnement change pour afficher entre 0 et 10 segments. L'affichage ci-dessous montre que le chauffe-eau fonctionne à 40 % de sa capacité.

Tous les autres affichages du menu reviendront à l'affichage de base soit après une période de 15 secondes sans entrée de l'utilisateur, soit après une pression de 5 secondes sur le bouton T_{max} .



Modification de la température de consigne

Paramètres de température

Gamme	Incrément	Gamme	Incrément
68-140 °F	1 °F	20-60 °C	0,5 °C

La température de consigne peut être réglée entre 20 °C (68 °F) et 60 °C (140 °F).

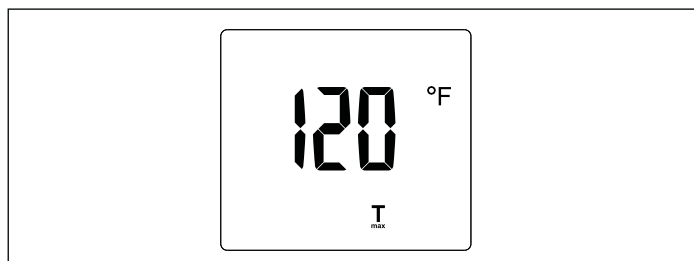
Le point de consigne peut être augmenté en tournant le bouton de commande dans le sens des aiguilles d'une montre, et diminué en le tournant dans le sens inverse. Le chauffe-eau peut être désactivé tout en restant alimenté en tournant le bouton de commande dans le sens inverse des aiguilles d'une montre, au-delà du réglage de 20 °C (68 °F).

5.4.2 Menu des paramètres

Lorsque vous êtes à l'écran de base, si vous maintenez la touche T_{max} enfoncée pendant 5 secondes, l'écran passe au premier menu de paramètres.

Paramétrage de T_{max}

Le premier menu de paramètres fixe la valeur de T_{max} . La valeur de T_{max} agit comme un limiteur de température élevée. Si la valeur de T_{max} est réglée, le point de consigne du chauffe-eau ne peut pas être réglé au-dessus de la valeur de T_{max} . Cette fonction est utile dans les cas où l'échaudure par l'eau chaude est une possibilité réelle.



Dans le menu de réglage T_{max} , l'affichage clignote, indiquant que la valeur peut être modifiée en tournant le bouton de commande. La valeur de T_{max} peut être augmentée en tournant le bouton de commande dans le sens des aiguilles d'une montre, et diminuée en le tournant dans le sens inverse. La valeur T_{max} peut être désactivée en tournant le bouton de commande dans le sens inverse des aiguilles d'une montre, au-delà du réglage de 20 °C (68 °F). L'affichage indiquera «Off» si T_{max} est inactif.

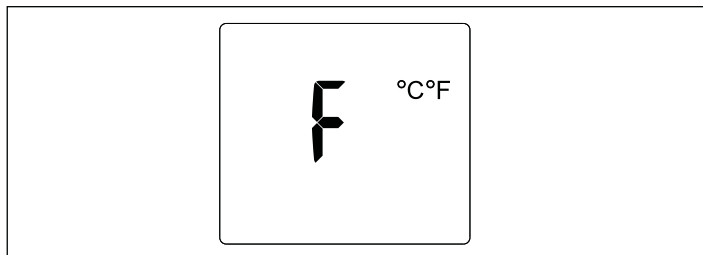
Si le symbole T_{max} est visible sur l'écran de base, alors la fonction T_{max} est active et limite la température maximale admissible au niveau pré-réglé.

Paramètres et affichages

En appuyant une fois sur la touche T_{max} pendant que l'écran est affiché, l'écran passe au paramétrage des unités de température.

Paramétrage des unités de température

Le DHC-E Trend est capable d'afficher la température en degrés Fahrenheit ou Celsius.

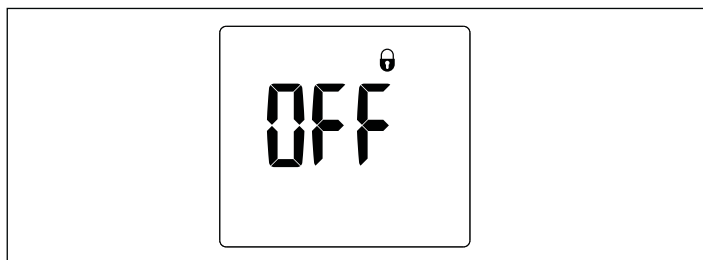


L'unité actuelle sera affichée et l'écran clignotera pour indiquer que la valeur peut être modifiée. Tournez le bouton de commande pour modifier la valeur entre Fahrenheit et Celsius.

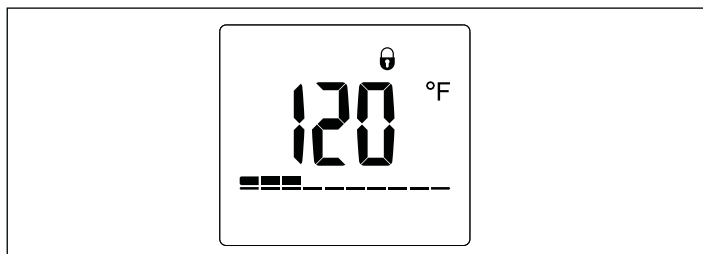
En appuyant une fois sur le bouton T_{max} pendant que l'écran est affiché, l'écran passe au réglage des paramètres de verrouillage de l'écran.

Paramétrage du verrouillage de l'affichage

L'écran peut être verrouillé pour empêcher toute modification de la température de consigne. Ce menu clignote, indiquant que la valeur peut être modifiée en tournant le bouton de commande. Tant que l'écran affiche « Off », le verrouillage n'est pas actif. Le verrouillage est actif lorsqu'il indique « On ».



Si le paramètre de verrouillage de l'affichage est réglé sur « On » et que l'utilisateur maintient la touche T_{max} enfoncée pendant 5 secondes ou laisse l'affichage s'éteindre pendant 15 secondes, le verrouillage de l'affichage devient actif.



Si le verrouillage de l'écran est actif, un symbole de verrouillage apparaîtra sur l'écran de base, et aucun paramètre ne pourra être modifié. Pour désactiver le verrouillage, maintenez la touche T_{max}

enfoncée pendant 12 secondes. Le verrou disparaîtra de l'écran et tous les paramètres pourront être à nouveau modifiés.

En appuyant une fois sur la touche T_{max} dans le menu de paramétrage du verrouillage de l'affichage, l'écran revient au menu de paramétrage T_{max} .

5.4.3 Retour à l'affichage de base

Pendant la navigation sur l'écran et dans tout menu autre que l'écran de base, le fait de maintenir la touche T_{max} enfoncée pendant 5 secondes ramènera l'écran à l'écran de base. En outre, l'écran revient à l'affichage de base après une période de 15 secondes sans aucune entrée de l'utilisateur.

5.5 Affichage du DHC-E Plus

Le DHC-E Plus comporte une zone d'affichage primaire et secondaire permettant l'affichage de plusieurs paramètres ou informations. Le DHC-E Plus est capable d'afficher le débit actuel de l'eau passant par le chauffe-eau, ainsi que de calculer les économies cumulées d'un chauffe-eau sans réservoir par rapport à un chauffe-eau avec réservoir.

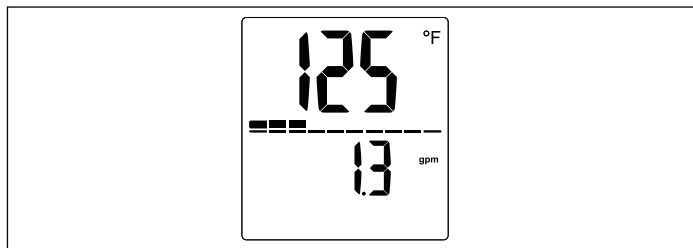
Pour connaître le nom de chaque élément d'affichage sur le DHC-E Plus, consultez la section 5.2.1, « Vue d'ensemble de l'affichage du DHC-E Plus », pg. 64.

5.5.1 Affichage de la base

L'écran de base du DHC-E Plus affiche la température de consigne actuelle dans l'unité de température de votre choix dans la moitié supérieure de l'écran.

La barre située en dessous de la température indique la fraction actuelle de la capacité totale à laquelle le chauffe-eau fonctionne. Lorsque la demande d'eau chaude fluctue, l'état de la capacité de puissance change pour afficher entre 0 et 10 segments. L'affichage ci-dessous montre que le chauffe-eau fonctionne à 30 % de sa capacité totale.

La moitié inférieure de l'écran indique le débit actuel de l'appareil en gallons par minute (gpm) ou en litres par minute (l/min).



Tous les autres menus reviendront à l'affichage de base soit après une période de 15 secondes sans saisie de l'utilisateur, soit après une pression de 5 secondes sur le bouton d'information.

Modification de la température de consigne

Paramètres de température			
Gamme	Incrément	Gamme	Incrément
68-140 °F	1 °F	20-60 °C	0,5 °C

Paramètres et affichages

La température de consigne peut être réglée entre 20 °C (68 °F) et 60 °C (140 °F).

Le point de consigne peut être augmenté en tournant le bouton de commande dans le sens des aiguilles d'une montre, et diminué en le tournant dans le sens inverse. Le chauffe-eau peut être désactivé tout en restant alimenté en tournant le bouton de commande dans le sens inverse des aiguilles d'une montre, au-delà du réglage de 20 °C (68 °F).

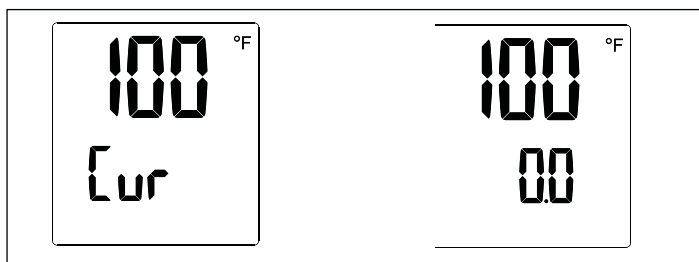
5.5.2 Menu information

La structure du menu d'information affiche des informations supplémentaires pour l'utilisateur. On accède au menu d'information en appuyant sur le bouton Information lorsqu'on se trouve à l'écran de base.

Affichage des économies de coûts cumulées

Si vous appuyez sur le bouton « Information » alors que l'écran affiche l'affichage de base, l'écran passe à l'affichage des économies cumulées.

L'affichage des économies cumulées affichera la température de consigne actuelle dans la moitié supérieure de l'écran, et la moitié inférieure de l'écran alternera entre « Cur » et les économies cumulées du chauffe-eau.



Les économies de coûts cumulées sont mises à jour quotidiennement et indiquent les économies estimées pour l'utilisateur par rapport à une installation où un chauffe-eau de type réservoir de 50 gallons était utilisé.



Note

Les valeurs d'économie d'énergie sont calculées à partir de la dernière remise à zéro.

Cette estimation des économies est basée sur le coût de l'électricité pour les utilisateurs. Pour obtenir l'estimation la plus précise, le coût local de l'électricité par kWh doit être défini dans le menu de paramétrage du coût de l'électricité. Pour plus d'informations sur la manière de procéder, voir la section, « Paramétrage des unités de température », pg. 66.

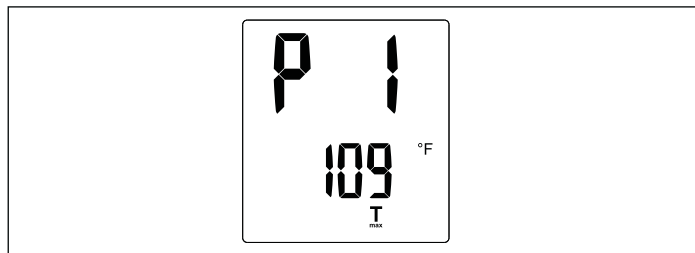
En appuyant sur le bouton « Information », on revient à l'écran de base. L'écran revient également à l'écran de base si aucune entrée de l'utilisateur n'est détectée pendant 10 secondes.

5.5.3 Menu des paramètres

Le menu des paramètres permet de modifier plusieurs paramètres du DHC-E Plus. Le menu des paramètres est accessible en appuyant sur le bouton Information pendant 5 secondes.

Paramétrage de T_{max}

Le premier menu de paramètres fixe la valeur de T_{max}. La valeur de T_{max} agit comme un limiteur de température élevée. Si la valeur de T_{max} est réglée, le point de consigne du chauffe-eau ne peut pas être réglé au-dessus de la valeur de T_{max}. Cette fonction est utile dans les cas où l'échaudure par l'eau chaude est une possibilité réelle.



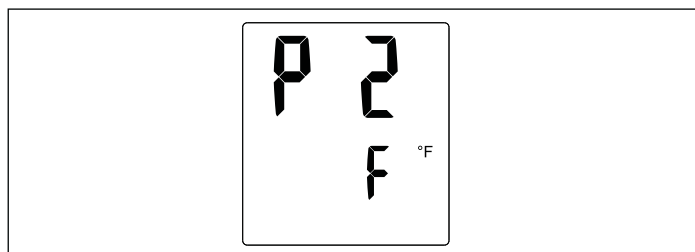
Dans le menu de réglage T_{max}, la valeur de la température clignote, indiquant que la valeur peut être modifiée en tournant le bouton de commande. La valeur T_{max} peut être augmentée en tournant le bouton de commande dans le sens des aiguilles d'une montre, et diminuée en le tournant dans le sens inverse. La valeur T_{max} peut être désactivée en tournant le bouton de commande dans le sens inverse des aiguilles d'une montre, au-delà du réglage de 20 °C (68 °F). L'affichage indiquera « Off » si T_{max} est inactif.

Si le symbole T_{max} est visible sur l'écran de base, alors la fonction T_{max} est active et limite la température maximale autorisée.

Si vous appuyez une fois sur le bouton « Information » pendant que vous êtes dans ce menu, l'écran affiche le paramétrage des unités de température.

Paramétrage des unités de température

Le DHC-E Plus est capable d'afficher la température en degrés Fahrenheit ou en degrés Celsius.



L'unité actuelle sera affichée et la valeur secondaire clignotera pour indiquer que la valeur peut être modifiée. Tournez le bouton de commande pour modifier la valeur entre les degrés Fahrenheit et les degrés Celsius.

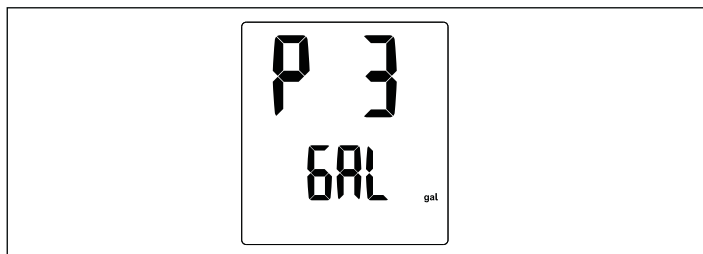
Si vous appuyez une fois sur le bouton d'information pendant que vous êtes dans ce menu, l'affichage se déplacera sur le paramétrage des unités de volume.

Paramétrage des unités de volume

Le DHC-E Plus est capable d'afficher le volume ou le débit en gallons par minute (gpm) ou en litres par minute (l/min).

OPÉRATION

Paramètres et affichages

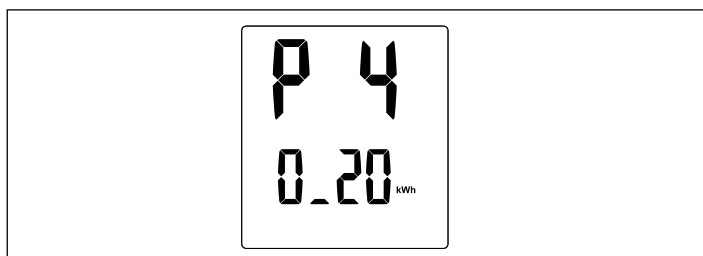


L'unité de volume actuelle sera affichée et la valeur clignotera pour indiquer qu'elle peut être modifiée. Tournez le bouton de commande pour modifier la valeur entre gallons par minute et litres par minute.

Si vous appuyez une fois sur le bouton « Information » pendant que vous êtes dans ce menu, l'affichage passe au réglage des paramètres de coût de l'électricité.

Paramétrage du coût de l'électricité

Le DHC-E Plus est doté d'une fonction intégrée qui permet de calculer les économies d'énergie de l'appareil par rapport à la consommation moyenne d'un chauffe-eau de type réservoir. Pour que cette fonction soit précise, le coût par kWh d'électricité doit être programmé dans le logiciel.

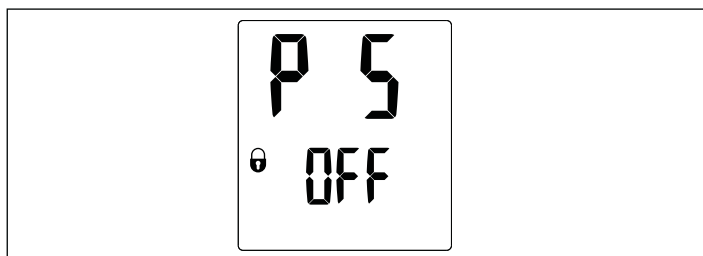


L'affichage secondaire clignote pour indiquer que la valeur peut être modifiée en tournant le bouton de commande. Consultez votre facture d'électricité pour déterminer le coût de l'électricité par kWh.

Si vous appuyez une fois sur le bouton d'information pendant que vous êtes dans ce menu, l'écran passe au réglage des paramètres de verrouillage de l'affichage.

Paramétrage du verrouillage de l'affichage

L'affichage peut être verrouillé pour éviter de modifier facilement le point de consigne de la température. Ce menu clignote, indiquant que la valeur peut être modifiée en tournant le bouton de commande. Lorsque « Off » est affiché, le verrouillage n'est pas actif. Le verrouillage est actif lorsque l'écran affiche « On ».



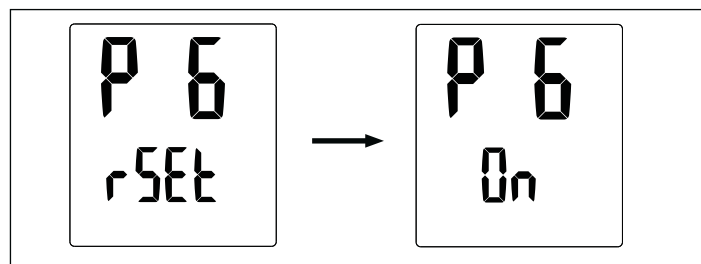
Si le paramètre de verrouillage de l'affichage est réglé sur « On » et que l'utilisateur maintient le bouton d'information pendant 5 secondes ou laisse l'affichage s'éteindre pendant 15 secondes, le verrouillage de l'affichage devient actif.

Lorsque le verrouillage de l'affichage est activé, un verrou apparaît sur l'écran de base et aucun paramètre ne peut être modifié. Pour désactiver le verrouillage, maintenez le bouton Information enfoncé pendant 12 secondes. Le verrouillage disparaîtra alors et tous les paramètres pourront à nouveau être modifiés.

En appuyant une fois sur le bouton Information dans le menu de paramétrage du verrouillage de l'affichage, l'écran passe au menu de paramétrage de réinitialisation du réglage d'usine.

Paramètre de réinitialisation réglé en usine

Le point de consigne de la température, les valeurs pré-réglées, les unités de température et de volume peuvent tous être réinitialisés à leurs réglages d'usine.

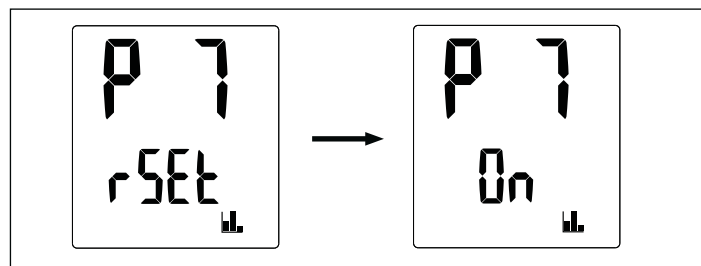


L'affichage clignote pour indiquer que la valeur peut être modifiée en tournant le bouton de commande. Pour réinitialiser, appuyez d'abord sur les deux boutons 1 et 2 pendant 5 secondes, « On » apparaît alors. Ensuite, appuyez sur le bouton d'information pendant 5 secondes pour réinitialiser.

En appuyant une fois sur le bouton « Information », l'affichage passe au menu des paramètres de réinitialisation de l'épargne accumulée.

Paramètre de réinitialisation de l'épargne accumulée

Tout comme le paramètre de réinitialisation du réglage d'usine, la valeur de l'épargne accumulée calculée peut être remise à zéro.



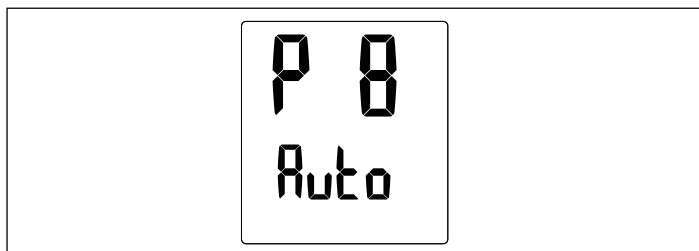
L'affichage clignote pour indiquer que la valeur peut être modifiée en tournant le bouton de commande. Pour réinitialiser, appuyez d'abord sur les deux boutons 1 et 2 pendant 5 secondes, « On » apparaît alors. Ensuite, appuyez sur le bouton d'information pendant 5 secondes pour réinitialiser.

En appuyant une fois sur le bouton Information, l'écran passe au paramètre de temporisation du rétro-éclairage de l'écran.

Paramètres et affichages

Paramètre de temporisation du rétro-éclairage de l'écran

Le rétro-éclairage de l'écran peut être réglé pour être toujours allumé, ou être réglé sur un mode automatique qui se désactive lorsqu'aucune entrée de l'utilisateur n'est détectée pendant 30 secondes.

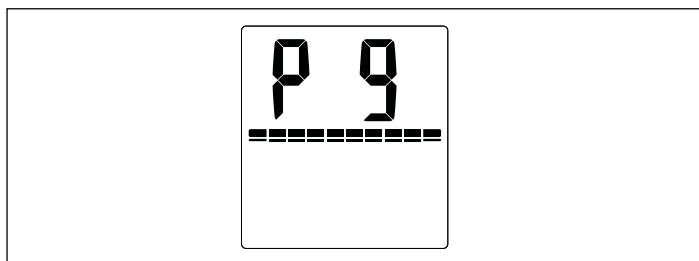


Tout l'affichage et le rétro-éclairage clignotent pour indiquer que la valeur peut être modifiée en tournant le bouton de commande. Lorsque la valeur est réglée sur «On», le rétro-éclairage est toujours allumé. Lorsque la valeur est réglée sur « Auto », il se désactive automatiquement après 30 secondes d'inactivité.

Si vous appuyez une fois sur le bouton «Information» pendant que vous êtes dans ce menu, l'écran passe au menu des paramètres de luminosité de l'écran rétroéclairé.

Paramètre de luminosité du rétroéclairage de l'écran

La luminosité du rétro-éclairage de l'écran peut être réglée selon deux paramètres différents. Un réglage haut et bas permet de personnaliser l'utilisateur en fonction des conditions de lumière du lieu d'installation.



La barre d'état de la capacité d'alimentation indique le réglage de la luminosité. Une barre de pleine capacité indique que la luminosité est au réglage élevé. Deux barres de capacité indiquent que la luminosité est en position basse.

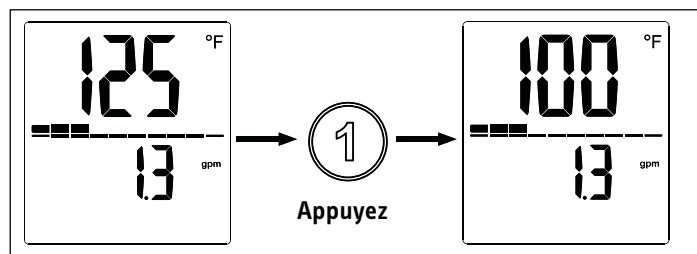
En appuyant une fois sur le bouton « Information » dans ce menu, l'écran revient à la page de réglage des paramètres T_{max} , intitulée « P1 ».

5.6 Options de pré-réglage de la température

Tous les modèles DHC-E sont dotés de deux réglages de température prédéfinis pour permettre un accès rapide aux points de consigne. Le bouton 1 et le bouton 2 permettent chacun de stocker une valeur de consigne indépendante.

Modification du point de consigne en valeurs prédéfinies

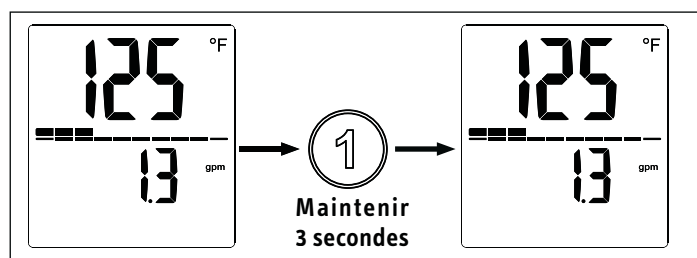
Pendant que l'affichage est à l'écran de base, l'utilisateur peut appuyer sur le bouton 1 ou le bouton 2 pour changer le point de consigne à la valeur mémorisée par les boutons.



Lorsque vous appuyez sur le bouton, la valeur du point de consigne se modifie en fonction de la valeur enregistrée jusqu'à ce moment.

Modification des valeurs prédéfinies

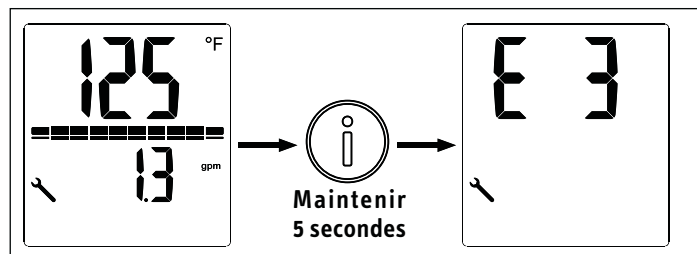
Les valeurs prédéfinies peuvent être modifiées par rapport aux valeurs de consigne par défaut.



Pour modifier la valeur du pré-réglage 1 ou du pré-réglage 2, tournez d'abord le bouton de commande sur la température que vous souhaitez régler. Ensuite, maintenez le bouton de pré-réglage pendant 3 secondes. L'écran clignote pour indiquer que la présélection a été modifiée avec succès.

5.7 Menu d'erreur

Si le DHC-E rencontre une erreur, une clé s'allume en bas à gauche de l'écran.



Pendant que la clé est affichée, appuyez sur le bouton « Information » (DHC-E Plus) ou sur le bouton T_{max} (DHC-E Trend) pendant cinq secondes pour faire avancer l'affichage jusqu'à la page d'affichage des erreurs. Voir section 16, « Dépannage », pg. 79, pour obtenir des informations sur la manière d'interpréter le code d'erreur signalé.

5.8 Retour à l'affichage de base

Pendant la navigation sur l'écran et dans tout menu autre que l'écran de base, une pression de 5 secondes sur le bouton Information ramène l'écran à l'écran de base. En outre, l'affichage reviendra d'un menu de paramètres à l'écran de base après une période de 15 secondes sans entrée de l'utilisateur, ou d'un menu d'information

à l'écran de base après une période de 10 secondes sans entrée de l'utilisateur.

5.9 Paramètres recommandés

Votre chauffe-eau électrique sans réservoir offre une précision et un confort maximum pour la production d'eau chaude sanitaire. Si vous utilisez néanmoins le chauffe-eau avec une vanne thermostatique, nous vous recommandons de le faire fonctionner :

- ▶ Réglez la température de consigne du chauffe-eau à plus de 50 °C (122 °F). Réglez ensuite la température de consigne souhaitée sur la vanne thermostatique.

Économies d'énergie

Les réglages recommandés ci-dessous permettront d'obtenir la consommation d'énergie la plus faible :

- 38 °C (100 °F) pour les lavabos, les douches et les bains
- 55 °C (131 °F) pour les éviers de cuisine

Protection interne contre l'échaudage (entrepreneurs qualifiés)

Si nécessaire, l'entrepreneur qualifié peut fixer une limite de température permanente, par exemple dans les crèches, les hôpitaux, etc. Voir section 12.1, « Protection interne contre l'ébouillantage grâce à une fente pour cavalier », pg. 75.

Réglage recommandé pour le fonctionnement avec une vanne thermostatique et de l'eau préchauffée par l'énergie solaire

- ▶ Réglez la température du chauffe-eau à la température maximale.

Suite à une interruption de l'approvisionnement en eau



Pertes matérielles

Pour s'assurer que le système de chauffage enroulé n'est pas endommagé suite à une interruption de l'approvisionnement en eau, le chauffe-eau doit être redémarré en prenant les mesures suivantes.

- ▶ Débranchez le chauffe-eau de l'alimentation électrique en coupant le disjoncteur connecté.
- ▶ Ouvrez et fermez toutes les vannes de tirage connectées au moins 5 fois, pendant au moins 3 minutes au total, jusqu'à ce que tout l'air ait été purgé de la tuyauterie et du chauffe-eau.
- ▶ Remettez le courant au disjoncteur branché.

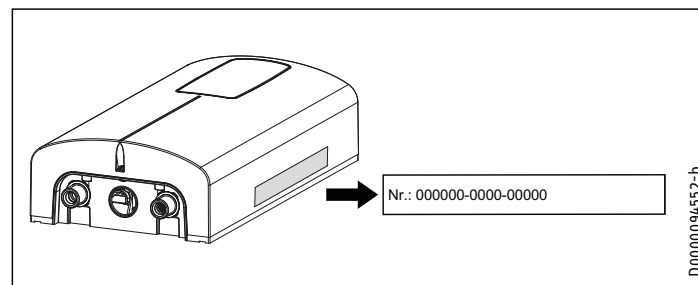
6. Nettoyage, entretien et maintenance

- ▶ N'utilisez jamais de produits de nettoyage abrasifs ou corrosifs. Un chiffon humide suffit pour nettoyer le chauffe-eau.
- ▶ Vérifiez régulièrement les robinets. Les dépôts calcaires à la sortie des robinets peuvent être éliminés à l'aide de détartrants disponibles dans le commerce.

7. Dépannage

Problème	Cause	Solution
Le chauffe-eau ne démarre pas bien que la vanne ECS soit complètement ouverte	Il n'y a pas de puissance	Vérifiez que le disjoncteur du panneau de disjoncteurs ne s'est pas déclenché. Réinitialiser si nécessaire L'interrupteur de sécurité blanc AE3 n'a pas été enclenché lors du démarrage initial. Activez si nécessaire (Voir section 12.3.1, « Activation initiale de l'interrupteur de sécurité AE3 », pg. 76). Si l'interrupteur AE3 s'est déclenché après l'installation initiale, contactez un entrepreneur qualifié pour en déterminer la cause
	L'aérateur du robinet ou de la pomme de douche est encrassé	Nettoyer et/ou détartrer l'aérateur ou la pomme de douche
	L'approvisionnement en eau a été interrompu	Ventiler le chauffe-eau et la conduite d'arrivée d'eau froide
Lorsque l'eau chaude est prélevée, l'eau froide coule pendant une courte période	Le détecteur d'air détecte l'air dans l'eau. Il coupe brièvement la puissance de chauffage	Le chauffe-eau redémarre automatiquement après 1 minute
La température requise ne peut pas être réglée	La protection interne contre l'échaudage est active	La protection anti-brûlure interne ne peut être ajustée que par des entrepreneurs qualifiés

Si vous ne pouvez pas résoudre le problème, contactez votre entrepreneur qualifié. Pour faciliter et accélérer votre demande, veuillez indiquer le numéro de série figurant sur la plaque signalétique (000000-0000-000000). Pour une assistance technique en direct, veuillez nous contacter au 800.582.8423. Vous pouvez également nous envoyer un courriel à l'adresse suivante : info@stiebel-eltron-usa.com



D000009452-b

INSTALLATION

8. Sécurité

Seul un entrepreneur qualifié doit effectuer l'installation, la mise en service, l'entretien et la réparation du chauffe-eau.

8.1 Instructions générales de sécurité

Nous garantissons un fonctionnement sans problème et une fiabilité opérationnelle uniquement si des accessoires et des pièces de rechange d'origine destinés au chauffe-eau sont utilisés.



Pertes matérielles

Respectez la température d'entrée maximale. Des températures plus élevées peuvent endommager le chauffe-eau. Vous pouvez limiter la température maximale d'entrée en installant une vanne thermostatique centrale.



AVERTISSEMENT Électrocution

Ce chauffe-eau contient des condensateurs qui se déchargent lorsqu'ils sont déconnectés de l'alimentation électrique. La tension de décharge des condensateurs peut dépasser brièvement 60 V DC.

8.2 Instructions, normes et règlements



Note

Respectez toutes les réglementations et instructions nationales et régionales applicables.

- La résistivité électrique de l'eau ne doit pas être inférieure à celle indiquée sur la plaque signalétique. Dans un réseau d'eau relié, il faut tenir compte de la résistivité électrique la plus faible de l'eau. Votre service d'approvisionnement en eau vous informera de la résistivité ou de la conductivité électrique de l'eau dans votre région.

9. Description du chauffe-eau

9.1 Livraison standard

Les éléments suivants sont livrés avec le chauffe-eau :

- Filtre à tamis, installé en usine dans l'arrivée d'eau froide
- Cavalier pour la protection anti-brûlure, ci-joint
- Cavalier pour la commutation de la puissance de sortie, ci-joint
- Cavalier, de rechange, attaché
- 2 x vis de montage
- 2 x ancrages muraux
- Réducteur/aérateur 1,9 l/min (0,5 gpm), DHC-E 3/3.5-1 Trend uniquement. Voir section 11.3, « Installation d'un aérateur au niveau du robinet raccordé », pg. 73, pour plus d'informations.

- 2 x réducteurs/aérateurs 1,9 l/min (0,5 gpm) et 1 x réducteur/aérateur 3,8 l/min (1,0 gpm), DHC-E 4/6-2 Trend uniquement. Voir section 11.3, « Installation d'un aérateur au niveau du robinet raccordé », pg. 73, pour plus d'informations.

10. Préparation

10.1 Site d'installation



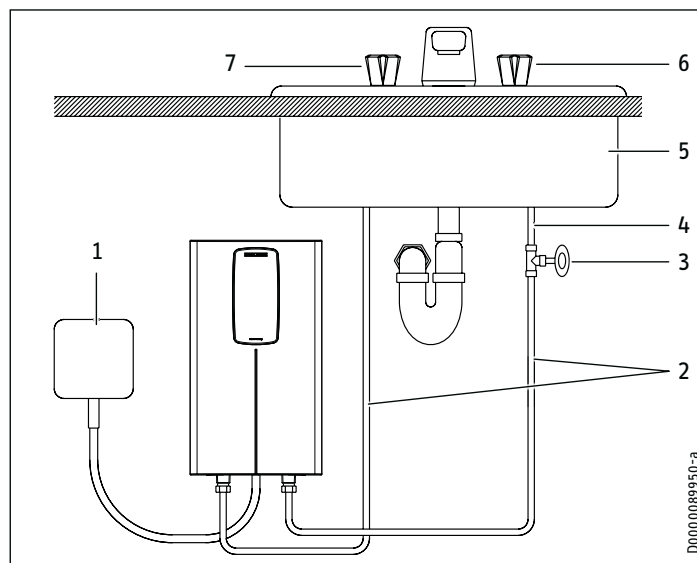
Pertes matérielles

Installez le chauffe-eau dans une pièce exempte de tout risque de gel.

- Installez le DHC-E dans un endroit à l'abri du gel. En cas de gel, retirez l'appareil avant que les températures de congélation ne s'installent.
- Installez toujours le chauffe-eau à la verticale, les raccords de plomberie étant dirigés vers le bas. Installez le chauffe-eau près du point de puisage afin de minimiser le tirage des tuyaux et les pertes thermiques.
- **Robinet :** N'utilisez pas de robinets ouverts ou non pressurisés.

Le chauffe-eau peut être installé sous l'évier ou au-dessus de l'évier.

Installation typique sous un évier



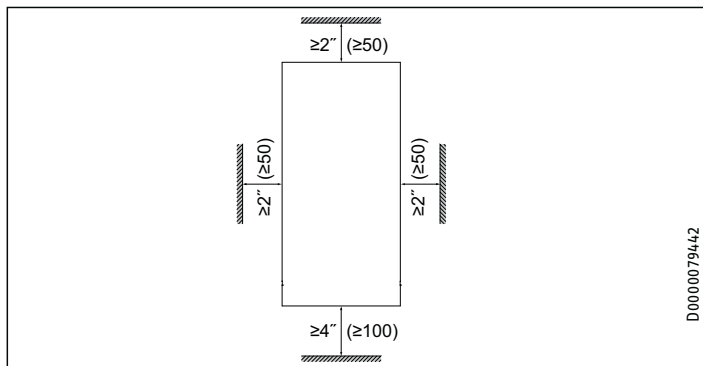
- 1 Boîte de jonction électrique
- 2 1/2 po. conduite d'alimentation en eau pour l'installation de robinets
- 3 Vanne d'arrêt
- 4 Approvisionnement en eau froide
- 5 Évier
- 6 Soupape de froid (à droite)
- 7 Vanne chaude (à gauche)



Note

► Installez le chauffe-eau au ras du mur. Le mur doit avoir une capacité de charge suffisante.

10.2 Dégagements minimaux



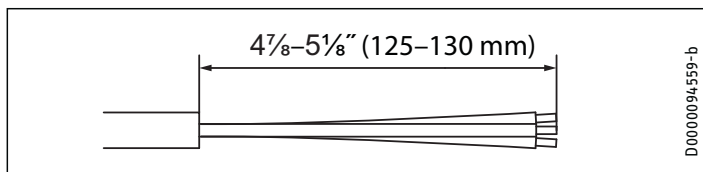
- ▶ Respectez les dégagements minimaux pour garantir un fonctionnement sans problème du chauffe-eau et faciliter les travaux d'entretien.

11. Installation

Paramètres par défaut	DHC-E 3/3.5-1 Trend	DHC-E 4/6-2 Trend	DHC-E 8/10-2 Trend	DHC-E 12/15-2 Trend & Plus
Limite de température interne, °C (°F)	60 (140)	60 (140)	60 (140)	60 (140)
Sortie de puissance				
@ 120 V	3,5 kW	-	-	-
@ 208 V	-	4,5 kW	7,2 kW	10,8 kW
@ 240 V	-	6,0 kW	9,6 kW	14,4 kW

11.1 Installation murale standard

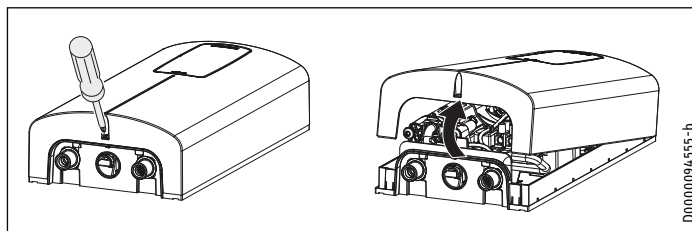
11.1.1 Préparer le câble d'alimentation



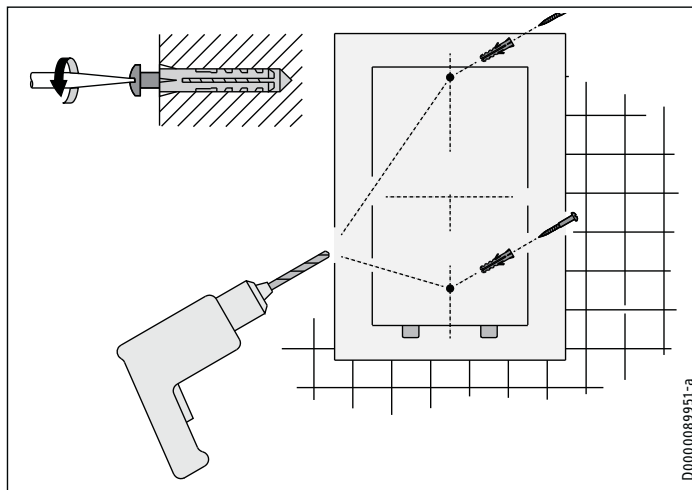
- ▶ Préparez le câble d'alimentation.

11.1.2 Instructions de montage

- ▶ Installez le DHC-E le plus près possible du point de prélèvement d'eau chaude, par exemple, directement sous l'évier.
- ▶ Installez le DHC-E dans un endroit à l'abri du gel. En cas de risque de gel, retirez l'appareil avant que les températures de congélation ne s'installent.
- ▶ Respectez les dégagements minimums de tous les côtés pour assurer un entretien sans entrave si nécessaire.
- ▶ Retirez le couvercle en plastique en desserrant la vis du fond. Soulevez le couvercle du fond.



- ▶ Marquez les 2 trous de perçage en vous référant à leur position en utilisant le panneau arrière du chauffe-eau comme guide.
- ▶ Mettez le panneau arrière du chauffe-eau de côté et percez les deux trous marqués.
- ▶ Installez les ancrages muraux dans le mur, puis insérez et serrez partiellement chaque vis de fixation. Les vis et les ancrages murales en plastique pour le montage sur des cloisons sèches ou du bois sont fournies.
- ▶ Accrochez l'appareil sur les 2 vis de fixation en vous assurant que l'arrière de l'appareil est bien à fleur du mur.
- ▶ Une fois l'appareil en place, fixez-le solidement au mur en serrant complètement les deux vis de fixation.



11.2 Raccordements à l'eau



ATTENTION : NE PAS INSTALLER DANS UNE ENCEINTE DE BAIN OU UNE CABINE DE DOUCHE. NE PAS RACCORDER À UN ADOUCISSEUR D'EAU RÉGÉNÉRÉ AU

SEL OU UNE EAU L'APPROVISIONNEMENT EN EAU SALÉE.

A UTILISER UNIQUEMENT SUR UN CIRCUIT DE DÉRIVATION INDIVIDUEL.

ATTENTION : SE CONNECTER UNIQUEMENT À UN CIRCUIT PROTÉGÉ PAR UN DISJONCTEUR DE FUITE À LA TERRE DE CLASSE A

UTILISER LE CONDUCTEUR DE LIAISON CONFORMÉMENT AU CODE CANADIEN DE L'ÉLECTRICITÉ, PARTIE I



Pertes matérielles

Effectuer tous les travaux de raccordement et d'installation de l'eau conformément à la réglementation.



Pertes matérielles

La chaleur excessive des soudures sur les tuyaux en cuivre à proximité du DHC-E peut endommager l'appareil ou le filtre en plastique situé dans l'entrée d'eau froide.



AVIS

Le raccordement à l'eau froide de l'appareil DOIT être débranché périodiquement afin de nettoyer la grille du filtre. Il est nécessaire d'utiliser des raccords d'eau qui sont facilement détachables, tels que des raccords flexibles en acier tressé.



AVIS

L'eau dure ou l'eau à forte teneur en minéraux peut endommager l'appareil. Les dommages causés à l'appareil par le calcaire ou une forte teneur en minéraux ne sont pas couverts par la garantie.



AVIS

Les chauffe-eau sans réservoir tels que le DHC-E ne sont pas tenus d'être équipés d'une soupape de sécurité température et pression (T&P). Si l'inspecteur local ne veut pas passer l'installation sans T&P, celle-ci doit être installée du côté de la sortie d'eau chaude de l'appareil.

11.2.1 Matériaux de raccordement à l'eau autorisés

- ▶ La sortie d'eau chaude du DHC-E (à gauche) est conçue pour être raccordée à un tube en cuivre, un tube PEX ou un tuyau en acier inoxydable tressé avec un filetage femelle conique 1/2 po. NPT.
- ▶ La tuyauterie du côté de l'entrée d'eau froide (à droite) doit être telle qu'elle puisse être facilement démontée pour permettre l'accès à la grille du filtre d'entrée. Le moyen le plus simple pour y parvenir est d'utiliser un raccord flexible en acier tressé avec un raccord NPT femelle 1/2 po.



Pertes matérielles

Si des systèmes de tuyauterie en plastique sont utilisés, il faut tenir compte de la température d'entrée maximale et de la pression maximale autorisée.

11.2.2 Débit

- ▶ Assurez-vous que le débit minimum d'activation pour la mise en marche du chauffe-eau est respecté : 1,0 l/min (0,264 gal).
- ▶ Si le débit minimum d'activation requis n'est pas atteint lorsque la vanne de tirage est complètement ouverte, augmentez la pression de la conduite d'eau. La pression d'alimentation minimale est de 1,8 bar (26,1 psi).

11.2.3 Instructions pour le raccordement à l'eau



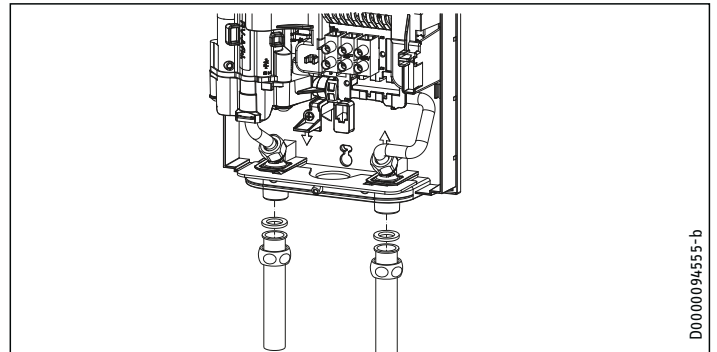
Pertes matérielles

S'il est nécessaire de souder à proximité de l'appareil, veuillez diriger la flamme loin du boîtier de l'appareil afin d'éviter tout dommage. Notez que la chaleur excessive provenant de la soudure (non recommandée) à proximité du raccord d'entrée d'eau froide peut endommager le filtre en plastique situé à l'intérieur.

Tous les travaux de plomberie doivent être conformes aux codes de plomberie nationaux et locaux en vigueur.

Le raccordement d'eau froide (entrée) se trouve sur le côté droit de l'appareil, le raccordement d'eau chaude (sortie) se trouve sur le côté gauche de l'appareil.

- ▶ Un réducteur de pression doit être installé si la pression d'alimentation en eau froide dépasse 10 bars (150 psi).
- ▶ Assurez-vous que la conduite d'alimentation en eau froide a été rincée pour éliminer le tartre et les saletés.
- ▶ Installez un robinet d'arrêt dans la conduite d'eau froide comme indiqué dans l'illustration de la page 71. Cela permet d'isoler facilement l'appareil à des fins d'entretien.



- ▶ Connexion de connecteurs flexibles en acier tressé (recommandé pour la sortie chaude, requis pour l'entrée froide, non fourni) aux connecteurs mâles jumeaux 1/2 po. NPT.
- ▶ Ouvrez la vanne d'arrêt dans la conduite d'entrée d'eau froide.

Lorsque tous les travaux de plomberie sont terminés, vérifiez s'il y a des fuites et prenez des mesures correctives avant de poursuivre.

11.3 Installation d'un aérateur au niveau du robinet raccordé

Le DHC-E 3/3.5-1 Trend est équipé d'un réducteur/actionneur à compensation de pression de 1,9 l/min (0,5 gpm) qui doit être installé sur le robinet auquel le chauffe-eau est raccordé. Si l'aérateur n'est pas installé, la température de l'eau peut être inférieure à celle souhaitée.

Le DHC-E 4/6-2 Trend est équipé d'un aérateur de 3,8 l/min (1,0 gpm) et de 2 aérateurs de 1,9 l/min (0,5 gpm), ce qui permet une flexibilité d'installation maximale. Un seul aérateur de 1,9 l/min ou 3,8 l/min, selon l'augmentation de température requise, doit être installé lorsque l'appareil est utilisé à la puissance de sortie [basse] (position du cavalier 1). Lorsque la puissance de sortie est réglée

sur [haute] (réglage par défaut en usine, cavalier en position 2), l'appareil peut être raccordé à un seul évier à l'aide de l'aérateur de 3,8 l/min, ou à deux éviers à l'aide des aérateurs de 2 x 1,9 l/min. Si le ou les aérateurs ne sont pas installés, la température de l'eau peut être inférieure à celle souhaitée.

11.4 Connexion électrique



AVERTISSEMENT Électrocution

Avant de commencer tout travail sur l'installation électrique, assurez-vous que les interrupteurs du panneau de disjoncteurs principaux sont «Off» pour éviter tout risque de choc électrique. Tous les travaux de montage et de plomberie doivent être terminés avant de procéder au branchement électrique.

L'appareil doit être correctement mis à la terre conformément aux codes locaux et d'État ou, en l'absence de tels codes, conformément au code électrique national ou au code électrique canadien. Le fait de ne pas mettre l'appareil à la terre peut entraîner des blessures graves, voire mortelles.



AVERTISSEMENT Électrocution

Le raccordement à l'alimentation électrique n'est autorisé qu'en tant que connexion permanente en liaison avec une pince Romex 3/4 po. Assurez-vous que le chauffe-eau peut être séparé de l'alimentation électrique par un isolateur qui déconnecte tous les pôles avec une séparation des contacts d'au moins 1/8 po. (3 mm).



ATTENTION : NE PAS INSTALLER DANS UNE ENCEINTE DE BAIN OU UNE CABINE DE DOUCHE. NE PAS RACCORDER À UN ADOUCISSEUR D'EAU RÉGÉNÉRÉ AU SEL OU UNE EAU L'APPROVISIONNEMENT EN EAU SALÉE.

A UTILISER UNIQUEMENT SUR UN CIRCUIT DE DÉRIVATION INDIVIDUEL.

ATTENTION : SE CONNECTER UNIQUEMENT À UN CIRCUIT PROTÉGÉ PAR UN DISJONCTEUR DE FUITE À LA TERRE DE CLASSE A

UTILISER LE CONDUCTEUR DE LIAISON CONFORMÉMENT AU CODE CANADIEN DE L'ÉLECTRICITÉ, PARTIE I



N'alimentez cet appareil qu'à partir d'un système mis à la terre. Une borne verte (ou un connecteur de fil marqué « G », « GR », « MASSE », OU « MISE À LA MASSE ») est fournie pour le câblage de l'appareil. Pour réduire le risque de choc électrique, connectez cette borne ou ce connecteur à la borne de mise à la terre du panneau de service ou d'alimentation électrique avec un fil de cuivre continu, conformément au code des installations électriques.



Pertes matérielles

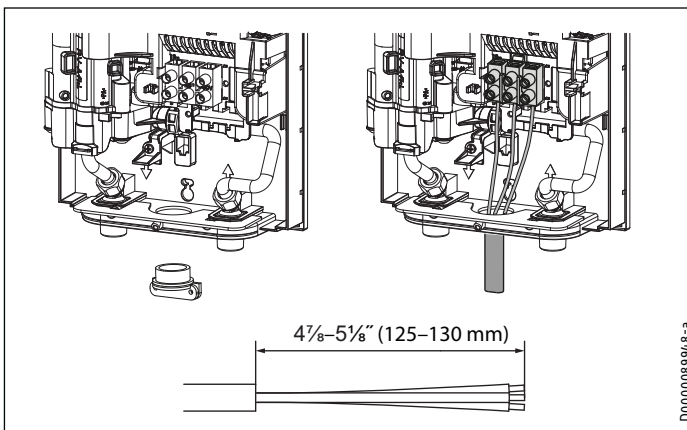
Observez la plaque signalétique. La tension nominale spécifiée doit correspondre à la tension de la ligne d'alimentation.



Pertes matérielles

Le DHC-E 3/3.5-1 Trend ne doit être raccordé qu'à une alimentation électrique de 120 V. Le branchement du DHC-E 3/3.5-1 Trend à une alimentation électrique de 208-240 V endommagera l'appareil de façon permanente et annulera la garantie d'usine.

- ▶ Tous les travaux électriques doivent être conformes aux codes électriques nationaux et locaux en vigueur.
- ▶ Le DHC-E doit être connecté à un circuit de dérivation dédié correctement mis à la terre et d'une tension nominale appropriée. Dans les installations comportant plusieurs DHC-E, chaque unité nécessite un circuit indépendant. Veuillez vous référer au tableau des données techniques pour connaître la taille correcte des fils et des disjoncteurs.
- ▶ Une pince Romex 3/4 po. (obligatoire, non fournie) doit être installée dans l'ouverture située entre les connexions d'eau chaude et froide. Le fil doit être introduit par la pince Romex. Les fils « sous tension » doivent être connectés aux fentes du bornier marquées N et L (DHC-E 3/3.5-1 Trend uniquement) ou L et L (toutes les autres versions). Le fil de terre doit être connecté à la fente marquée du symbole de terre. Voir section 17.2, « Schémas de câblage », pg. 81.



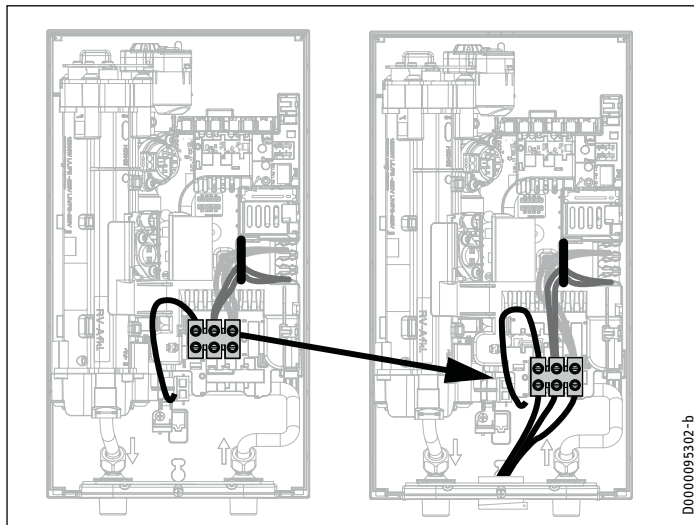
11.5 Connexion électrique avec un câble d'alimentation court

Si le câble d'alimentation n'est pas assez long, vous pouvez installer le bloc de câblage plus près de l'ouverture du chauffe-eau.

- ▶ Repositionnez le bloc de câblage du haut vers le bas. Pour ce faire, déclipser le bloc de câblage en le poussant fermement vers la gauche et en le tirant vers l'avant.

INSTALLATION

Mise en service



► Clipsez le bloc de câblage en bas en le poussant vers l'intérieur et vers la gauche jusqu'à ce qu'il s'enclenche en place.

11.6 Bloc de câblage

Consultez le tableau ci-dessous pour connaître les couples de serrage recommandés pour les vis du bloc de câblage.

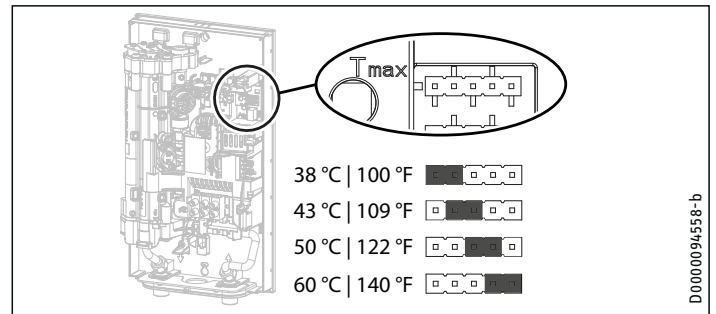
Taille de vis (mm)	Min. Couple (N•cm)	Min. Couple (lbf•in)
M6	200-250	17,7-22,1

L'utilisation de spécifications de couple appropriées pour fixer le fil au bloc de câblage permet d'éviter les pertes personnelles ou les dommages matériels.

12. Mise en service

12.1 Protection interne contre l'ébullition grâce à une fente pour cavalier

Pour une sécurité accrue, l'entrepreneur qualifié peut fixer une limite de température interne anti-brûlure via le cavalier « T_{max} ». La fonction de protection anti-brûlure limite la température de sortie maximale du chauffe-eau. Cette fonction a priorité sur l'affichage du réglage de la température sur la couverture avant (à la fois la sélection de la température et la limite de température via les fonctions du logiciel). Un utilisateur peut toujours effectuer des réglages de température en dessous de la limite anti-brûlure à l'aide de l'affichage, cependant, toute température sélectionnée qui est supérieure à la limite T_{max} réglée sera ignorée, et la température de sortie sera limitée à la valeur T_{max}.



Position du cavalier	Description
38 °C 100 °F	Applications de lavage des mains conformes au code
43 °C 109 °F	Demandes pour lesquelles le risque d'échauffure peut être un sujet de préoccupation
50 °C 122 °F	ECS pour évier de cuisine, évier de service, etc.
60 °C 140 °F	Applications commerciales (cuisines, etc.), exigences du code de la santé (réglage par défaut en usine)
Pas de cavalier	Limit 38 °C 100 °F

► Installez le cavalier à l'endroit voulu sur la bande à broches « T_{max} ».



ATTENTION Brûlures

Si l'eau fournie au chauffe-eau est préchauffée, la protection interne anti-brûlure et la limite de température réglable par l'utilisateur peuvent être dépassées. Dans ce cas, limitez la température à l'aide d'une vanne thermostatique centrale en amont.

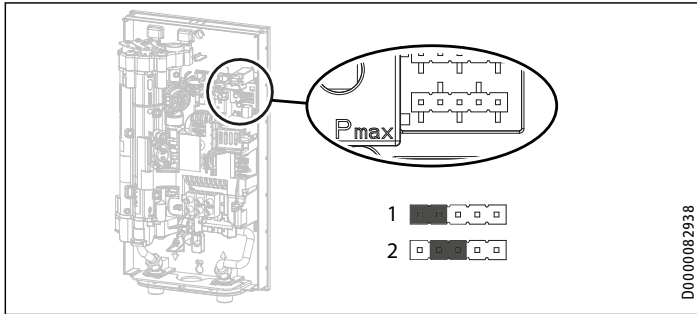
INSTALLATION

Mise en service

12.2 Changement de la puissance de sortie via la fente du cavalier

Les modèles DHC-E ont une puissance de sortie sélectionnable.

Si vous sélectionnez une valeur autre que le réglage par défaut de l'usine, vous devrez repositionner le cavalier.



- ▶ Installez le cavalier à l'endroit voulu sur la bande à broches « P_{max} ».

Position du cavalier		Puissance de sortie	
		DHC-E 3/3.5-1 Trend	DHC-E 4/6-2 Trend
1 [bas]	@ 120 V	3,0 kW	-
	@ 208 V	-	2,9 kW
	@ 240 V	-	3,8 kW
2 [haut]	@ 120 V	3,5 kW	-
	@ 240 V	-	6,0 kW
défaut usine	@ 208 V	-	4,5 kW
	@ 240 V	-	6,0 kW
Pas de cavalier	@ 120 V	3,0 kW	-
	@ 208 V	-	2,9 kW
	@ 240 V	-	3,8 kW

Position du cavalier		Puissance de sortie	
		DHC-E 8/10-2 Trend	DHC-E 12/15-2 Trend & Plus
1 [bas]	@ 208 V	5,4 kW	9,0 kW
	@ 240 V	7,2 kW	12,0 kW
2 [haut]	@ 208 V	7,2 kW	10,8 kW
	@ 240 V	9,6 kW	14,4 kW
défaut usine	@ 240 V	9,6 kW	14,4 kW
	@ 240 V	9,6 kW	14,4 kW
Pas de cavalier	@ 208 V	5,4 kW	9,0 kW
	@ 240 V	7,2 kW	12,0 kW

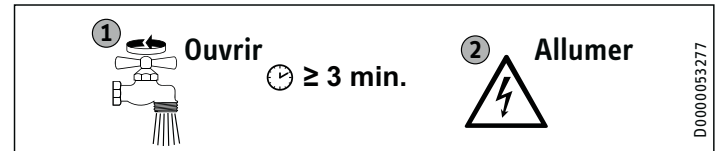
- ▶ Marquez la puissance de sortie sélectionnée sur la plaque signalétique. Utilisez un stylo à bille pour ce faire.

12.3 Démarrage initial



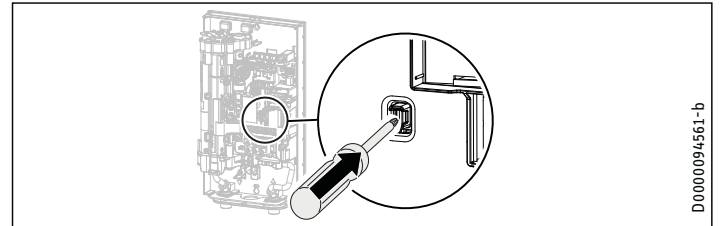
Note

Lors du premier démarrage, vous DEVEZ enclencher l'interrupteur de sécurité AE3 en appuyant sur le bouton blanc de réinitialisation avant d'alimenter le chauffe-eau. L'appareil ne fonctionnera PAS tant que l'interrupteur de sécurité n'aura pas été enclenché.

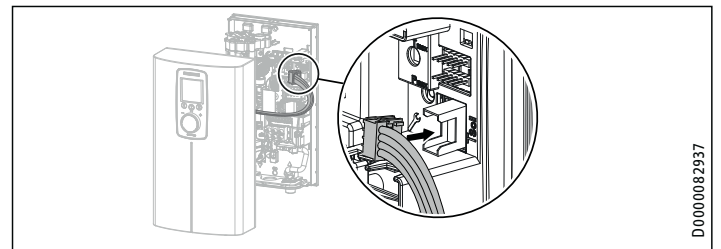


- ▶ Ouvrez et fermez toutes les vannes de tirage connectées au moins cinq fois au total. Laissez l'eau couler pendant au moins trois minutes, jusqu'à ce que tout l'air ait été purgé de la tuyauterie et du chauffe-eau.
- ▶ Assurez-vous qu'il n'y a pas de fuites d'eau au niveau des raccords de plomberie.

12.3.1 Activation initiale de l'interrupteur de sécurité AE3



- ▶ Engagez l'interrupteur de sécurité AE3 en appuyant fermement sur le bouton blanc de réarmement jusqu'à ce qu'il s'enclenche et se verrouille complètement en place (le chauffe-eau est livré avec l'interrupteur de sécurité désengagé).

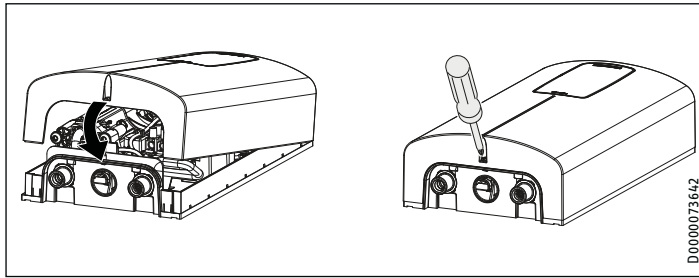


- ▶ Branchez la fiche du câble de connexion de l'unité de programmation à la carte de circuit imprimé.



Note

Il est essentiel de brancher le câble de connexion de l'unité de programmation sur la carte de circuit imprimé avant de mettre l'appareil sous tension. Sinon, l'unité de programmation ne fonctionnera pas.



- ▶ Accrochez le couvercle du chauffe-eau dans le panneau arrière du chauffe-eau, en haut à l'arrière. Faites pivoter le couvercle vers le bas. Vérifiez que le couvercle est bien en place en haut et en bas.
- ▶ Fixez le couvercle à l'aide de la vis.
- ▶ Retirez le film de protection du panneau avant.



- ▶ Allumez l'alimentation électrique.
- ▶ Assurez-vous que l'unité de programmation fonctionne correctement.

12.3.2 Remise du chauffe-eau

- ▶ Expliquez les fonctions du chauffe-eau aux utilisateurs et familiarisez-les avec son fonctionnement.
- ▶ Sensibiliser l'utilisateur aux dangers potentiels, en particulier au risque d'échaudure.
- ▶ Remettez-lui les instructions.

12.4 Fonctionnement avec de l'eau préchauffée

La température maximale d'entrée peut être limitée par l'installation d'une vanne thermostatique centrale. Utilisez la vanne thermostatique pour le pré-mélange central, par exemple lorsque vous utilisez un chauffe-eau sans réservoir avec de l'eau préchauffée. Pour une utilisation sous la douche, la vanne doit être réglée à un maximum de 55 °C (131 °F).

12.5 Remise en service



Pertes matérielles

Pour s'assurer que le système de chauffage enroulé n'est pas endommagé suite à une interruption de l'approvisionnement en eau, le chauffe-eau doit être redémarré en prenant les mesures suivantes.

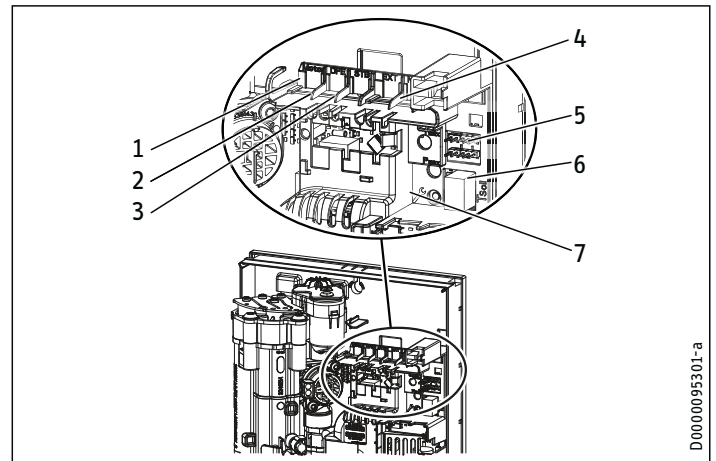
- ▶ Débranchez le chauffe-eau de l'alimentation électrique en coupant le disjoncteur connecté.
- ▶ Ouvrez et fermez toutes les vannes de tirage connectées au moins 5 fois, pendant au moins 3 minutes au total, jusqu'à ce que tout l'air ait été purgé de la tuyauterie et du chauffe-eau.
- ▶ Remettez le courant au disjoncteur branché.

13. Arrêt du chauffe-eau

- ▶ Mettez le disjoncteur connecté en position « Off ».
- ▶ Vidanger le chauffe-eau (Voir section 15.1, « Vidange du chauffe-eau », pg. 78").

14. Informations sur les services

Aperçu de la connexion/des composants



- 1 Valve motorisée
- 2 Capteur de débit
- 3 Coupure de sécurité à haute limite, réarmement automatique, Klixon
- 4 Capteur NTC
- 5 Bandes de broches pour la charge connectée et la protection anti-brûlure
- 6 Position d'enchâssement de l'unité de programmation
- 7 Lampes diagnostiques

15. Maintenance



AVERTISSEMENT Électrocution

Avant de commencer tout travail sur le chauffe-eau, assurez-vous que les disjoncteurs connectés sont « Off » pour éviter tout risque de choc électrique.

15.1 Vidange du chauffe-eau

Le chauffe-eau peut être vidangé pour les travaux d'entretien.



AVERTISSEMENT Brûlures

L'eau chaude peut s'échapper lorsque vous vidangez le chauffe-eau.

- ▶ Fermez la vanne d'arrêt dans la conduite d'arrivée d'eau froide.
- ▶ Ouvrez toutes les vannes de tirage.
- ▶ Desserrez les raccords d'eau sur le chauffe-eau.
- ▶ Conservez le chauffe-eau démonté à l'abri du gel, car les résidus d'eau restant à l'intérieur du chauffe-eau peuvent geler et causer des dommages.

15.2 Nettoyage de la grille de filtrage



AVERTISSEMENT Brûlures

L'eau chaude peut s'échapper lorsque vous vidangez le chauffe-eau.



Pertes matérielles

Pour s'assurer que le système de chauffage enroulé n'est pas endommagé suite à une interruption de l'approvisionnement en eau, le chauffe-eau doit être redémarré en prenant les mesures suivantes.

- ▶ Débranchez le chauffe-eau de l'alimentation électrique en coupant le disjoncteur connecté.
- ▶ Ouvrez et fermez toutes les vannes de tirage connectées au moins 5 fois, pendant au moins 3 minutes au total, jusqu'à ce que tout l'air ait été purgé de la tuyauterie et du chauffe-eau.
- ▶ Remettez le courant au disjoncteur branché.

Le DHC-E est équipé d'un filtre à sédiments intégré qui doit être nettoyé périodiquement :

- ▶ Coupez le courant du chauffe-eau au niveau du disjoncteur.
- ▶ Coupez l'alimentation en eau du chauffe-eau au niveau de la vanne d'arrêt.
- ▶ Ouvrez un robinet d'eau chaude raccordé pour réduire la pression accumulée (cela réduira les fuites lors du retrait du raccord de l'entrée d'eau froide).
- ▶ Débranchez le connecteur flexible en acier tressé du raccord d'entrée d'eau froide (à droite).
- ▶ Pour retirer la crêpine du bas de l'entrée d'eau froide, insérez soigneusement un tournevis à tête plate juste au-dessus de la lèvres en plastique de la crêpine, et tirez doucement vers le bas.

- ▶ Nettoyez la grille du filtre, réinsérez-la solidement dans le raccord d'entrée d'eau froide et reconnectez le connecteur flexible en acier tressé à l'entrée d'eau froide.
- ▶ Ouvrez la vanne d'arrêt de l'alimentation en eau froide.
- ▶ Purgez l'air des tuyaux et du chauffe-eau en ouvrant et en fermant toutes les vannes d'arrêt connectées au moins 5 fois, pendant au moins 3 minutes au total, jusqu'à ce que tout l'air ait été purgé des tuyaux et du chauffe-eau.
- ▶ Mettez le disjoncteur en marche pour alimenter l'appareil en électricité.

16. Dépannage



AVERTISSEMENT Électrocution

Ne retirez ou ne réinstallez jamais le couvercle du chauffe-eau, sauf si l'électricité qui alimente l'appareil est coupée. Le non-respect de cette consigne peut entraîner des blessures ou la mort.



AVERTISSEMENT Électrocution

Pour tester le chauffe-eau à l'aide des voyants de diagnostic internes, il doit être connecté à l'alimentation électrique.

Lorsque vous effectuez le test avec le couvercle fermé, ne touchez jamais aucune partie du chauffe-eau. Cela pourrait entraîner des blessures graves, voire mortelles.



Note

Lorsque vous testez le chauffe-eau à l'aide des voyants de diagnostic, de l'eau doit circuler dans l'appareil.

Lampes diagnostiques

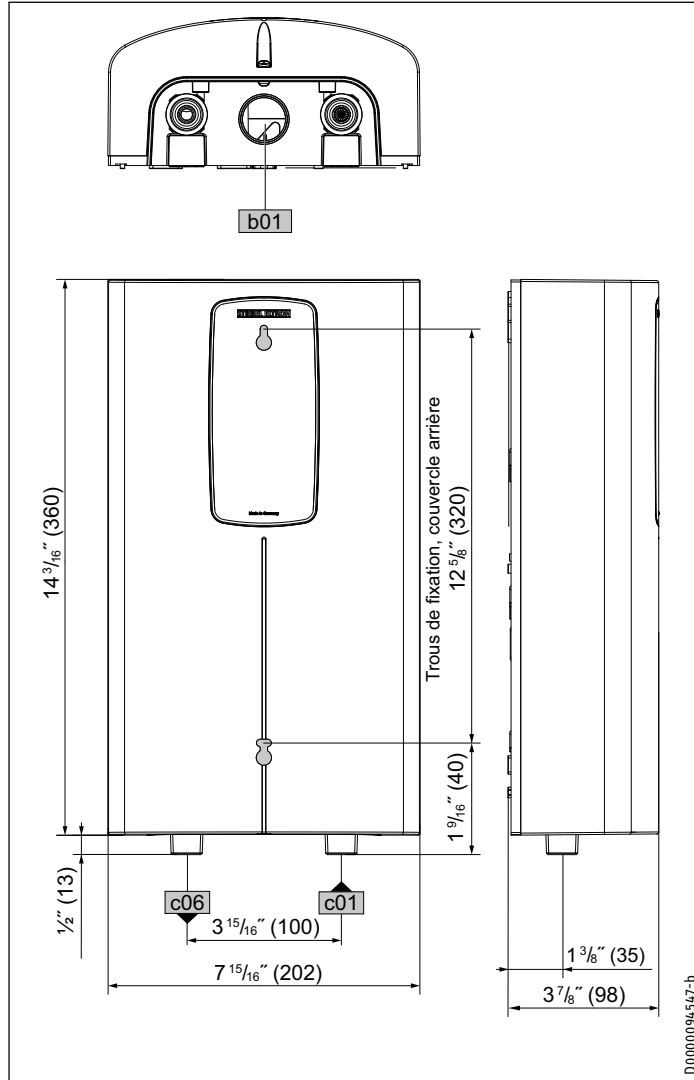
	Rouge	S'allume en cas d'erreur
	Jaune	S'allume en mode chauffage / clignote lorsque la limite de puissance est atteinte
	Vert	Clignotant : Chauffe-eau connecté à l'alimentation électrique

Lampes diagnostiques	Problème	Cause	Solution
Aucune LED n'est allumée	Le chauffe-eau ne chauffe pas	Il n'y a pas de puissance	Vérifiez que le disjoncteur connecté dans le panneau principal n'a pas déclenché. Réinitialisez si nécessaire
		Le PCB est défectueux	Remplacer le PCB
Vert clignotant, jaune éteint, rouge éteint	Pas d'ECS	La pomme de douche/l'aérateur est mis à l'échelle	Détartrer ou remplacer la pomme de douche/les aérateurs si nécessaire
		L'écran filtrant de l'entrée d'eau froide est sale	Nettoyer l'écran de filtrage
		Le capteur de débit n'est pas branché	Connecter le câble au PCB
		Le capteur de débit ne fonctionne pas correctement	Remplacer le capteur de débit
		Le PCB ne fonctionne pas correctement	Remplacer le PCB
Vert clignotant, jaune allumé, rouge éteint	L'écran de l'unité de programmation est éteint	Il y a un câble mal fixé entre le circuit imprimé et l'unité de programmation	Vérifiez le câble et branchez le câble dans l'unité de programmation et/ou la carte de circuit imprimé
		Le câble de l'unité de programmation ne fonctionne pas correctement	Vérifier le câble et le remplacer si nécessaire
		Le circuit imprimé de l'unité de programmation ne fonctionne pas correctement	Remplacer l'unité de programmation, disponible uniquement avec un nouveau couvercle de chauffage
		Le PCB ne fonctionne pas correctement	Remplacer le PCB
Vert clignotant, jaune allumé, rouge éteint	La température de sortie ne correspond pas à la valeur de consigne	L'unité de programmation n'a pas été branchée avant la mise sous tension	Effectuer une réinitialisation en coupant l'alimentation du chauffe-eau
		Le capteur de sortie ne fonctionne pas correctement	Remplacer le capteur de sortie
		Le robinet ne fonctionne pas correctement	Remplacer le robinet
		Le système de chauffage ne fonctionne pas correctement	Remplacer le système de chauffage
		Le PCB ne fonctionne pas correctement	Remplacer le PCB
Plus modèles seulement : Vert clignotant, jaune clignotant, rouge éteint	La température de sortie ne correspond pas à la valeur de consigne	Limite de la vanne motorisée atteinte	Réduire la température de consigne
		La vanne motorisée ne fonctionne pas correctement	Remplacer la vanne motorisée
Vert clignotant, jaune éteint, rouge allumé	Pas d'ECS	Air détecté	Continuer le tirage au sort pendant >1 minute

Lampes diagnostiques	Afficher la lecture	Problème	Cause	Solution
Vert clignotant, jaune éteint, rouge allumé	La clé clignote (affiche E1 et la clé dans le menu « Affichage du code d'erreur »)	Pas d'ECS	Interrupteur de sécurité AE3 non activé lors de la mise en service	Activez l'interrupteur de sécurité AE3 en appuyant fermement sur le bouton de réinitialisation. Voir section 12.3.1. « Activation initiale de l'interrupteur de sécurité AE3 », pg. 76
			Interrupteur de sécurité AE3 déclenché par un Klixon de sécurité haute limite à réenclenchement automatique	Vérifier le Klixon de sécurité de limite supérieure (connexion enfichable, câble de connexion) ; activer l'interrupteur de sécurité AE3
			L'interrupteur de sécurité AE3 réagit à nouveau après vérification du Klixon du limiteur de sécurité supérieur ; limiteur de sécurité supérieur défectueux	Remplacer le coupe-circuit de sécurité haute limite, Klixon ; activer l'interrupteur de sécurité AE3 et aspirer l'eau à la valeur maximale fixée pendant >1 min
			L'interrupteur de sécurité réagit à nouveau ; le PCB est défectueux	Remplacer le PCB
	La clé clignote (affiche E2 et la clé dans le menu « Affichage du code d'erreur »)	Pas d'ECS	Le PCB ne fonctionne pas correctement (rupture de fil ou court-circuit dans le capteur d'entrée)	Remplacer le PCB
	La clé clignote (affiche E3 et la clé dans le menu « Affichage du code d'erreur »)	Pas d'ECS	Court-circuit dans le capteur de sortie	Vérifier le capteur de sortie, le remplacer si nécessaire

17. Spécification

17.1 Dimensions et connexions



DHC-E		
b02	Câbles électriques d'entrée	
c01	Entrée d'eau froide	Fil mâle 1/2 po. NPT
c06	Sortie ECS	Fil mâle 1/2 po. NPT

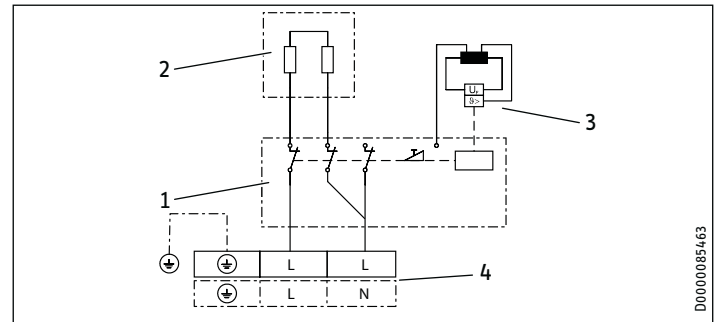
17.2 Schémas de câblage

DHC-E 3/3.5-1 Trend

⊕ L N 1/Neutre/Terre (GND) ~ 120V

DHC-E 4/6-2 Trend

⊕ L L 2/Terre (GND) ~ 208 / 240V

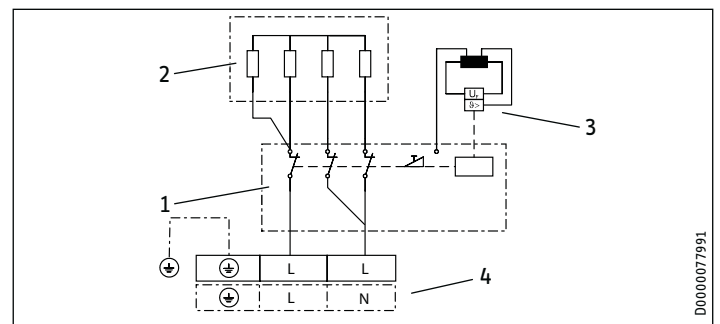


- 1 Circuit imprimé de puissance avec interrupteur de sécurité intégré
- 2 Système de chauffage enroulé
- 3 Disjoncteur de sécurité haute limite à réarmement automatique, Klixon
- 4 Bloc de câblage

DHC-E 8/10-2 Trend & Plus | DHC-E 12/15-2 Trend & Plus

⊕ L L 2/Terre (GND) ~ 208 / 240 V

⊕ L N 1/Neutre/Terre (GND) ~ 208 / 240 V



- 1 Circuit imprimé de puissance avec interrupteur de sécurité intégré
- 2 Système de chauffage enroulé
- 3 Disjoncteur de sécurité haute limite à réarmement automatique, Klixon
- 4 Bloc de câblage

INSTALLATION

Spécification

17.3 Production d'eau chaude

La production d'eau chaude sanitaire (ECS) dépend de l'alimentation électrique connectée, de la charge connectée du chauffe-eau et de la température d'entrée de l'eau froide. La tension nominale et la puissance nominale sont indiquées sur la plaque signalétique.

Modèle	Puissance en kW			100 °F production d'ECS en gpm			
	Tension nominale			Température d'entrée de l'eau froide			
	120 V	208 V	240 V	41 °F	50 °F	59 °F	68 °F
DHC-E 3/3.5-1	3,0			0,35	0,41	0,5	0,64
Trend	3,5			0,41	0,48	0,58	0,75
DHC-E 4/6-2		2,9		0,34	0,4	0,48	0,62
Trend		4,5		0,52	0,61	0,75	0,96
			3,8	0,44	0,52	0,63	0,81
			6,0	0,69	0,82	1,0	1,28
DHC-E 8/10-2		5,4		0,63	0,74	0,9	1,15
Trend		7,2		0,83	0,98	1,2	1,54
			7,2	0,83	0,98	1,2	1,54
			9,6	1,11	1,31	1,6	2,05
DHC-E 12/15-2		9,0		1,04	1,23	1,5	1,92
Trend & Plus		10,8		1,24	1,46	1,78	2,28
			12,0	1,39	1,64	2,0	2,56
			14,4	1,67	1,97	2,4	3,07

Modèle	Puissance en kW			122 °F production d'ECS en gpm			
	Tension nominale			Température d'entrée de l'eau froide			
	120 V	208 V	240 V	41 °F	50 °F	59 °F	68 °F
DHC-E 3/3.5-1	3,0			-	0,28	0,33	0,38
Trend	3,5			0,3	0,33	0,38	0,44
DHC-E 4/6-2		2,9		-	0,28	0,31	0,37
Trend		4,5		0,38	0,43	0,49	0,57
			3,8	0,32	0,36	0,41	0,48
			6,0	0,51	0,57	0,65	0,76
DHC-E 8/10-2		5,4		0,46	0,51	0,59	0,68
Trend & Plus		7,2		0,61	0,68	0,78	0,91
			7,2	0,61	0,68	0,78	0,91
			9,6	0,81	0,91	1,04	1,21
DHC-E 12/15-2		9,0		0,76	0,85	0,98	1,14
Trend & Plus		10,8		0,9	1,02	1,16	1,35
			12,0	1,01	1,14	1,3	1,52
			14,4	1,21	1,37	1,56	1,82

Modèle	Puissance en kW			38 °C Production d'ECS en L/min			
	Tension nominale			Température d'entrée de l'eau froide			
	120 V	208 V	240 V	5 °C	10 °C	15 °C	20 °C
DHC-E 3/3.5-1	3,0			1,3	1,5	1,9	2,4
Trend	3,5			1,5	1,8	2,2	2,8
DHC-E 4/6-2		2,9		1,3	1,5	1,8	2,3
Trend		4,5		1,9	2,3	2,8	3,6
			3,8	1,7	2,0	2,4	3,0
			6,0	2,6	3,1	3,7	4,8
DHC-E 8/10-2		5,4		2,3	2,8	3,4	4,3
Trend		7,2		3,1	3,7	4,5	5,7
			7,2	3,1	3,7	4,5	5,7
			9,6	4,2	4,9	6,0	7,6
DHC-E 12/15-2		9,0		3,9	4,6	5,6	7,1
Trend & Plus		10,8		4,6	5,5	6,6	8,5
			12,0	5,2	6,1	7,5	9,5
			14,4	6,2	7,3	8,9	11,4

Modèle	Puissance en kW			50 °C Production d'ECS en L/min			
	Tension nominale			Température d'entrée de l'eau froide			
	120 V	208 V	240 V	5 °C	10 °C	15 °C	20 °C
DHC-E 3/3.5-1	3,0			1,0	1,1	1,2	1,4
Trend	3,5			1,1	1,3	1,4	1,7
DHC-E 4/6-2		2,9		-	1,1	1,2	1,4
Trend		4,5		1,4	1,6	1,8	2,1
			3,8	1,2	1,4	1,6	1,8
			6,0	1,9	2,1	2,4	2,9
DHC-E 8/10-2		5,4		1,7	1,9	2,2	2,6
Trend & Plus		7,2		2,3	2,6	2,9	3,4
			7,2	2,3	2,6	2,9	3,4
			9,6	3,0	3,4	3,9	4,6
DHC-E 12/15-2		9,0		2,9	3,2	3,7	4,3
Trend & Plus		10,8		3,4	3,8	4,4	5,1
			12,0	3,8	4,3	4,9	5,7
			14,4	4,6	5,1	5,9	6,9

17.4 Domaines d'application/tableau de conversion

Ici, les données sont indiquées pour la résistivité électrique et la conductivité électrique.

Spécification standard à 15 °C		20 °C		25 °C	
Min.	Max.	Min.	Max.	Min.	Max.
résistivité $\rho \geq$		résistivité $\rho \geq$		résistivité $\rho \geq$	
conductivité $\sigma \leq$		conductivité $\sigma \leq$		conductivité $\sigma \leq$	
Ωcm	mS/m	$\mu\text{S/cm}$	Ωcm	mS/m	$\mu\text{S/cm}$
1100	91	910	970	103	1031
				895	112
					1117

17.4.1 Dimensionnement de la tuyauterie

Lors du calcul de la taille de la tuyauterie, une chute de pression de 0,97 bar (14,5 psi) est recommandée pour le chauffe-eau.

17.5 Conditions de défaillance

En cas de panne, des températures allant jusqu'à 80 °C (176 °F) à une pression de 1,0 MPa (145 psi) peuvent se produire brièvement dans l'installation.

INSTALLATION

Spécification

17.6 Tableaux de données

	DHC-E 3/3.5-1 Trend	DHC-E 4/6-2 Trend	
N° d'article	200057	200061	
Données électriques			
Phase (50/60 Hz)	1/N/GND	1/N/GND 2/GND	
Tension nominale	120 V	240 V	208 V
Sortie nominale ¹ , position du cavalier 1 [basse] / 2 [haute]	3,0 kW / 3,5 kW	3,8 kW / 6,0 kW	2,9 kW / 4,5 kW
Ampérage, position du cavalier 1 [basse] / 2 [haute]	25 A / 29,2 A	15,8 A / 25 A	13,9 A / 21,7 A
Taille minimale recommandée du disjoncteur ² , position du cavalier 1 [basse] / 2 [haute]	25 A / 30 A	20 A / 25 A	15 A / 25 A
Taille minimale recommandée du fil ³ (cuivre), position du cavalier 1 [basse] / 2 [haute]	10/2 AWG / 10/2 AWG	12/2 AWG / 10/2 AWG	14/2 AWG / 10/2 AWG
Résistivité min. $\rho_{15} \geq$	1100 Ω cm		
Conductivité max. $\sigma_{15} \leq$	910 μ S/cm		
Connexions			
Raccordements à l'eau	1/2 po. NPT		
Limites d'application			
Pression maximale admissible	1 MPa (145 psi)		
Température maximale d'entrée pour le réchauffement	55 °C (131 °F)		
Température d'entrée maximale	65 °C (149 °F)		
Plage de température sélectionnable par l'utilisateur	20-60 °C (68-140 °F)		
Valeurs limites de température de la protection anti-brûlure interne	38/43/50/60 °C (100/109/122/140 °F)		
Données hydrauliques			
Débit d'eau minimum pour activer l'unité	1,0 l/min (0,264 gal)		
Volume d'eau nominal	0,277 l (0,07 gal)		
Autres			
Type d'installation	Au-dessus de l'évier / en dessous de l'évier		
Classe de protection	1		
Bloc isolant	Polyamide renforcé de fibres de verre		
Système de chauffage	Chauffage enroulé		
Couverture et panneau arrière	Plastique		
Couleur	Blanc		
Dimensions			
Hauteur	360 mm (14 1/8 po.)		
Largeur	202 mm (8 po.)		
Profondeur	109 mm (4 5/16 po.)		
Poids			
Poids	2,5 kg (5,5 lbs)		

Le DHC-E 3/3.5-1 Trend est fourni avec un réducteur/actionneur à compensation de pression de 1,9 l/min (0,5 gpm) qui doit être installé.

Le DHC-E 4/6-2 Trend est fourni avec 2 x 1,9 l/min (0,5 gpm) et un réducteur de débit/aérateur à compensation de pression de 3,8 l/min (1,0 gpm) qui doit être installé. Voir section 11.3, « Installation d'un aérateur au niveau du robinet raccordé », pg. 73 pour plus d'informations.

¹ Le réglage d'usine par défaut est la position 2 du cavalier [haute].

² Protection contre les surintensités dimensionnée à 100% de la charge. Les chauffe-eau sans réservoir sont considérés comme une charge non continue. N'utilisez que des disjoncteurs de classe A à disjoncteur de fuite de terre (GFCI).

³ Il faut utiliser des conducteurs en cuivre dont la température nominale est supérieure ou égale à 75 °C. Les conducteurs doivent être dimensionnés pour maintenir une chute de tension inférieure à 3 % sous charge.

Ce sont nos recommandations. Vérifiez la conformité aux codes locaux si nécessaire.

INSTALLATION

Spécification

	DHC-E 8/10-2 Trend DHC-E 8/10-2 Plus	DHC-E 12/15-2 Trend DHC-E 12/15-2 Plus
N° d'article	200058 (Trend) 202145 (Plus)	200059 (Trend) 200056 (Plus)
Données électriques		
Phase (50/60 Hz)	1/N/GND 2/GND	
Tension nominale	240 V	208 V
Sortie nominale ¹ , position du cavalier 1 [basse] / 2 [haute]	7,2 kW / 9,6 kW	5,4 kW / 7,2 kW
Ampérage, position du cavalier 1 [basse] / 2 [haute]	30 A / 40 A	26 A / 34,6 A
Taille minimale recommandée du disjoncteur ² , position du cavalier 1 [basse] / 2 [haute]	30 A / 40 A	30 A / 35 A
Taille minimale recommandée du fil ³ (cuivre), position du cavalier 1 [basse] / 2 [haute]	10/2 AWG / 8/2 AWG	10/2 AWG / 8/2 AWG
Résistivité min. $\rho_{15} \geq$	1100 Ω cm	
Conductivité max. $\sigma_{15} \leq$	910 μ S/cm	
Connexions		
Raccordements à l'eau	1/2 po. NPT	
Limites d'application		
Pression maximale admissible	1 MPa (145 psi)	
Température maximale d'entrée pour le réchauffement	55 °C (131 °F)	
Température d'entrée maximale	65 °C (149 °F)	
Plage de température sélectionnable par l'utilisateur	20-60 °C (68-140 °F)	
Valeurs limites de température de la protection anti-brûlure interne	38/43/50/60 °C (100/109/122/140 °F)	
Données hydrauliques		
Débit d'eau minimum pour activer l'unité	1,0 l/min (0,264 gal)	
Volume d'eau nominal	0,277 l (0,07 gal)	
Autres		
Type d'installation	Au-dessus de l'évier / en dessous de l'évier	
Classe de protection	1	
Bloc isolant	Polyamide renforcé de fibres de verre	
Système de chauffage	Chauffage enroulé	
Couverture et panneau arrière	Plastique	
Couleur	Blanc	
Dimensions		
Hauteur	360 mm (14 1/8 po.)	
Largeur	202 mm (8 po.)	
Profondeur	109 mm (4 5/16 po.)	
Poids		
Poids	2,5 kg (5,5 lbs)	

¹ Le réglage d'usine par défaut est la position 2 du cavalier [haute].

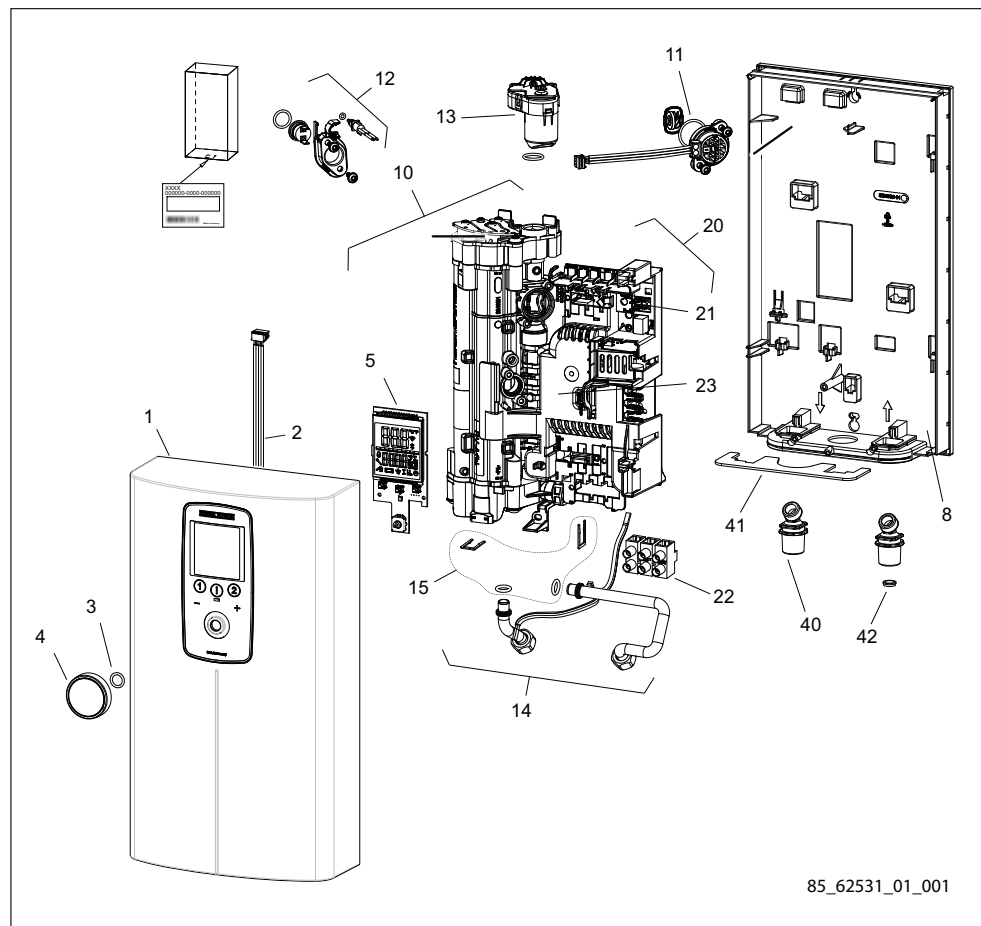
² Protection contre les surintensités dimensionnée à 100% de la charge. Les chauffe-eau sans réservoir sont considérés comme une charge non continue. N'utilisez que des disjoncteurs de classe A à disjoncteur de fuite de terre (GFCI).

³ Il faut utiliser des conducteurs en cuivre dont la température nominale est supérieure ou égale à 75 °C. Les conducteurs doivent être dimensionnés pour maintenir une chute de tension inférieure à 3 % sous charge.

Ce sont nos recommandations. Vérifiez la conformité aux codes locaux si nécessaire.

18. Pièces de rechange

No.	Pièce de rechange	DHC-E 3/3.5-1 Trend	DHC-E 4/6-2 Trend	DHC-E 8/10-2 Trend	DHC-E 8/10-2 Plus	DHC-E 12/15-2 Trend	DHC-E 12/15-2 Plus
1	Couvercle (à l'avant)	348146	348146	348146	348145	348146	348145
2	Câble de connexion au PCB	158010	158010	158010	158010	158010	158010
3	Joint torique 9,5x2 EPDM	269351	269351	269351	269351	269351	269351
4	Bouton de commande	323686	323686	323686	323686	323686	323686
5	Écran LCD	332991	332991	332991	332992	332991	332992
8	Couvercle (retour)	348143	348143	348143	348143	348143	348143
10	Système de chauffage	344153	344154	344152	344149	344150	344147
11	Capteur de débit	339979	339979	339979	339979	339979	339979
12	Disjoncteur de sécurité haute limite à réarmement automatique, Klixon, avec capteur de sortie	340528	340528	340528	340528	340528	340528
13	Valve motorisée	-	-	-	220502	-	220502
14	Tuyau coudé	340542	340542	340542	340542	340542	340542
15	Jeu de raccords coudés pour tuyaux (comprend les clips et les joints)	320540	320540	320540	320540	320540	320540
20	Carte électronique PCB	344144	344145	344143	344140	344141	344138
21	Cavalier (rouge)	283455	283455	283455	283455	283455	283455
22	Bloc de câblage	326655	326655	326655	326655	326655	326655
23	Couverture électronique	344146	344146	344146	344146	344146	344146
40	Raccords de raccordement à l'eau (2) - 1/2 po. NPT / G3/8 po.	326589	326589	326589	326589	326589	326589
41	Feuille de fermeture	326234	326234	326234	326234	326234	326234
42	Écran de filtrage	275981	275981	275981	275981	275981	275981



19. Garantie

Sous réserve du respect des termes et conditions définis dans la présente garantie à vie limitée, Stiebel Eltron, Inc. (ci-après, le « Fabricant ») garantit à l'acheteur d'origine (ci-après le « Propriétaire ») que tous les chauffe-eau électrique sans réservoir (ci-après, le « Chauffe-eau ») ne doit pas (i) des fuites dues à des défauts de matériaux ou de fabricant de fabrication pendant une période de dix (10) ans à compter de la date d'achat ou (ii) l'échec en raison de défauts dans les matériaux ou de fabrication du fabricant pour une période de trois (3) ans à compter de la date d'achat. Le seul et unique recours du propriétaire dans le cadre de la garantie susmentionnée sera pour le Propriétaire de soit réparer en usine, soit remplacer le Chauffe-eau défectueux (à la discrétion du fabricant) avec soit un appareil de rechange, soit une ou des pièces ayant les mêmes caractéristiques d'exploitation. La responsabilité financière maximale du Fabricant ne pourra en aucun cas aller au-delà du prix d'achat du le Chauffe-eau.

Cette garantie limitée représente la seule garantie accordée par le fabricant et annule toute les autres garanties, orales ou écrites, expresse ou implicites, y compris, mais sans y être limitées les garanties de qualité marchande ou d'aptitude à un usage particulier. Le fabricant rejette toute responsabilité pour les dommages ou frais indirects, consécutifs ou autres résultant directement ou indirectement de tout vice présent dans le chauffe-eau ou survenu lors de l'usage du Chauffe-eau. Le fabricant rejette toute responsabilité pour tout dégât des eaux ou tout autre dégât matériel encouru par le propriétaire, résultant directement ou indirectement de tout vice présent dans le Chauffe-eau ou survenu lors de l'usage du Chauffe-eau. Seul le Fabricant est autorisé à énoncer les garanties au nom du Fabricant et aucune déclaration, garantie ou autre document énoncé par une tierce partie ne saurait engager la responsabilité du Fabricant.

Le Fabricant rejette toute responsabilité pour tout dommage causé par ou en relation avec :

1. toute mauvaise utilisation ou négligence du chauffe-eau, tout accident subi par le chauffe-eau, toute modification du chauffe-eau ou tout autre usage non prévu,
2. les calamités naturelles ou toute autre circonstance sur laquelle le fabricant n'a aucun contrôle,
3. l'installation du chauffe-eau autre que conformément aux directives du fabricant et autre que conformément



L'installation, le raccordement électrique et la première mise en service de cet appareil doivent être effectués par un installateur qualifié.



L'entreprise n'est pas responsable des défaillances des biens fournis qui n'ont pas été installés et utilisés conformément aux instructions du fabricant.

- aux codes de la construction en vigueur,
4. le non-respect des procédures d'entretien du chauffe-eau ou l'utilisation du chauffe-eau non conformes aux directives du fabricant,
5. l'utilisation du chauffe-eau avec une pression d'eau irrégulière ou dans le cas où le chauffe-eau serait alimenté en eau non potable pour toute durée que ce soit,
6. une installation incorrecte ou l'utilisation de matériaux incorrects par un installateur et sans relation avec les vices de fabrication ou de matériel du fabricant,
7. déplacer le Chauffe-eau de son lieu d'installation d'origine;
8. l'exposition au gel,
9. problèmes de qualité de l'eau comme l'eau corrosive, l'eau dure et de l'eau contaminée par des polluants ou des additifs,

Si le Propriétaire désire renvoyer le Chauffe-eau au Fabricant pour qu'il soit réparé ou remplacé dans le cadre de cette Garantie, le Propriétaire doit d'abord obtenir l'autorisation écrite du Fabricant. Le Propriétaire doit apporter la preuve d'achat, y compris la date d'achat, et sera responsable de tous les frais de transport et de dépose. Si le Propriétaire ne peut pas apporter la preuve de la date d'achat, cette Garantie sera limitée à la période commençant à la date de fabrication estampée sur le Chauffe-eau. Le Fabricant se réserve le droit de rejeter toute couverture de la Garantie à la suite d'une inspection du Chauffe-eau par le Fabricant. Cette Garantie ne s'applique qu'au propriétaire et ne peut pas être transférée.

Certains États et Provinces n'autorisent pas l'exclusion ou la limitation de certaines garanties. Dans ce cas, les limites ci-mentionnées peuvent ne pas s'appliquer au propriétaire. Dans ce cas, la Garantie sera limitée à la période la plus courte et aux dommages et intérêts les plus faibles autorisés par la loi. Cette garantie vous octroie des droits légaux spécifiques. Il est toutefois possible que vous ayez d'autres droits en fonction de votre juridiction.

Le Propriétaire sera responsable de tous les frais de main-d'œuvre et autres encourus lors de la dépose ou de la réparation du Chauffe-eau sur le chantier. Veuillez également noter que le Chauffe-eau doit être installé de sorte qu'en cas de fuite, l'eau qui s'écoule doit couler de façon à ne pas endommager l'endroit où il est installé.

Environnement et recyclage

Aidez-nous à protéger l'environnement en éliminant les emballages conformément aux réglementations nationales en matière de traitement des déchets.

Cette garantie n'est valable que pour les États-Unis et le Canada. Les garanties peuvent varier selon les pays. Veuillez consulter votre représentant Stiebel Eltron local pour connaître la garantie dans votre pays.

NOTES

United States of America

STIEBEL ELTRON, Inc.
17 West Street | West Hatfield, MA 01088
Tel. 413.247.3380 | Fax 413.247.3369
Toll-free 800.582.8423
info@stiebel-eltron-usa.com
www.stiebel-eltron-usa.com

Austria

STIEBEL ELTRON Ges.m.b.H.
Eferdinger Str. 73 | 4600 Wels
Tel. 07242 47367-0 | Fax 07242 47367-42
info@stiebel-eltron.at
www.stiebel-eltron.at

Belgium

STIEBEL ELTRON bvba/sprl
't Hofveld 6 - D1 | 1702 Groot-Bijgaarden
Tel. 02 42322-22 | Fax 02 42322-12
info@stiebel-eltron.be
www.stiebel-eltron.be

Czech Republic

STIEBEL ELTRON spol. s r.o.
K Háji 946 | 155 00 Praha 5 - Stodůlky
Tel. 251116-111 | Fax 235512-122
info@stiebel-eltron.cz
www.stiebel-eltron.cz

Denmark

Pettinaroli A/S
Mandal Allé 21 | 5500 Middelfart
Tel. 06341 666-6 | Fax 06341 666-0
info@pettinaroli.dk
www.stiebel-eltron.dk

Finland

Insinööritoimisto Olli Andersson Oy
Kapinakuja 1 | 04600 Mäntsälä
Tel. 020 720-9988 | Fax 020 720-9989
info@stiebel-eltron.fi
www.stiebel-eltron.fi

France

STIEBEL ELTRON SAS
7-9, rue des Selliers
B.P 85107 | 57073 Metz-Cédex 3 Tel. 0387
7438-88 | Fax 0387 7468-26
info@stiebel-eltron.fr
www.stiebel-eltron.fr

Germany

STIEBEL ELTRON GmbH & Co. KG
Dr.-Stiebel-Straße | 37603 Holzminden
Tel. 05531 702-0 | Fax 05531 702-480
info@stiebel-eltron.de
www.stiebel-eltron.de

Hungary

STIEBEL ELTRON Kft.
Pacsirtamező u. 41 | 1036 Budapest Tel.
01 250-6055 | Fax 01 368-8097
info@stiebel-eltron.hu
www.stiebel-eltron.hu

Japan

NIHON STIEBEL Co. Ltd.
Ebara building 3F
2-9-3 Hamamatsu-cho
Minato-Ku | 105-0013 Tokyo
Tel. 03 34364662 | Fax 03 34594365
info@nihonstiebel.co.jp
www.nihonstiebel.co.jp

Netherlands

STIEBEL ELTRON Nederland B.V.
Daviottenweg 36
5222 BH 's-Hertogenbosch
Tel. 073 623-0000 | Fax 073 623-1141
stiebel@stiebel-eltron.nl
www.stiebel-eltron.nl

Poland

STIEBEL ELTRON Polska Sp. z o.o. ul.
Instalatorów 9 | 02-237 Warszawa Tel. 022
60920-30 | Fax 022 60920-29
stiebel@stiebel-eltron.com.pl
www.stiebel-eltron.com.pl

Russia

STIEBEL ELTRON LLC RUSSIA
Urzhumskaya street 4,
building 2 | 129343 Moscow
Tel. 0495 7753889 | Fax 0495 7753887
info@stiebel-eltron.ru
www.stiebel-eltron.ru

Slovakia

STIEBEL ELTRON Slovakia, s.r.o.
Hlavná 1 | 058 01 Poprad
Tel. 052 7127-125 | Fax 052 7127-148
info@stiebel-eltron.sk
www.stiebel-eltron.sk

Sweden

STENERGY
Vasagatan 14 | 545 30 Töreboda
Sales:
Tel. 0506 105-10 | info@stiebel-eltron.se
Technique & Service:
Tel. 0150 54200 | info@heatech.se
www.stiebel-eltron.se

Switzerland

STIEBEL ELTRON AG
Netzibodenstr. 23 c | 4133 Pratteln
Tel. 061 81693-33 | Fax 061 81693-44
info@stiebel-eltron.ch
www.stiebel-eltron.ch

Thailand

STIEBEL ELTRON Asia Ltd.
469 Moo 2 Tambol Klong-Jik
Amphur Bangpa-In | 13160 Ayutthaya
Tel. 035 220088 | Fax 035 221188
info@stiebel-eltronasia.com
www.stiebel-eltronasia.com

United Kingdom and Ireland

STIEBEL ELTRON UK Ltd.
Unit 12 Stadium Court
Stadium Road | CH62 3RP Bromborough
Tel. 0151 346-2300 | Fax 0151 334-2913
info@stiebel-eltron.co.uk
www.stiebel-eltron.co.uk

STIEBEL ELTRON

Irrtum und technische Änderungen vorbehalten! | Subject to errors and technical changes! | Sous réserve d'erreurs et de modifications techniques! | Onder voorbehoud van vergissingen en technische wijzigingen! | Salvo error o modificación técnica! | Rätt till misstag och tekniska ändringar förbehålls! | Excepto erro ou alteração técnica | Zastrzeżone zmiany techniczne i ewentualne błędy | Omyly a technické změny jsou vyhrazeny! | A muszaki változtatások és tévedések jogát fenntartjuk! | Отсутствие ошибок не гарантируется. Возможны технические изменения. | Chyby a technické zmeny sú vyhradené! | Stand 8643