

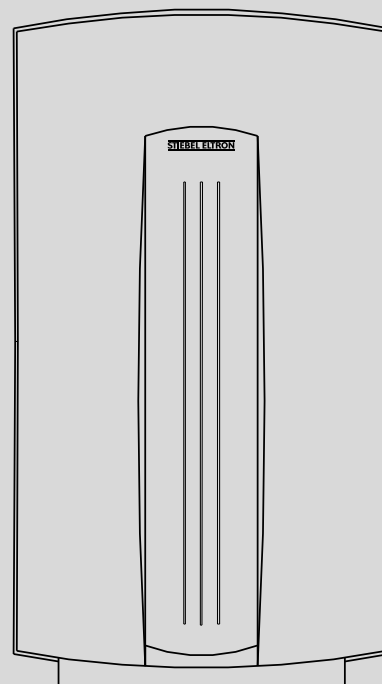
# OPERATION AND INSTALLATION OPERACIÓN E INSTALACIÓN UTILISATION ET INSTALLATION

Tankless Electric Water Heater

Calentador de Agua Instantáneos sin Tanque

Chauffe-Eau Électrique sans Accumulateur

- » DHC 3-1
- » DHC 3-2
- » DHC 4-2
- » DHC 4-3
- » DHC 5-2
- » DHC 6-2
- » DHC 8-2
- » DHC 9-3
- » DHC 10-2



Intertek

Certified to ANSI/UL Std. 499  
Conforms to CAN/CSA Std. E335-1 & E335-2-35

Certificación con ANSI/UL Std. 499  
Conforme a CAN/CSA Std. E335-1 & E335-2-35

Certifié à la norme ANSI/UL Std. 499  
Conforme à la norme CAN/CSA Std. E335-1 & E335-2-35



Tested and certified by WQA to NSF/ANSI 372  
for lead free compliance.

Probado y certificado por WQA NSF/ANSI 372 para  
el cumplimiento de las regulaciones sin plomo.

Testé et certifié par WQA à la NSF/ANSI 372 pour une  
utilisation sans plomb.

**STIEBEL ELTRON**

**OPERATION**

1. **General information** \_\_\_\_\_ 2  
 1.1 Safety information \_\_\_\_\_ 2  
 1.2 Other symbols in this document \_\_\_\_\_ 3  
 2. **Safety** \_\_\_\_\_ 3  
 2.1 Intended use \_\_\_\_\_ 3  
 2.2 General Information \_\_\_\_\_ 3  
 2.3 Safety Precautions \_\_\_\_\_ 3  
 2.4 Test symbols \_\_\_\_\_ 3  
 3. **Register your product** \_\_\_\_\_ 4  
 4. **General** \_\_\_\_\_ 4

**INSTALLATION**

5. **Mounting the unit** \_\_\_\_\_ 4  
 6. **Water connections** \_\_\_\_\_ 5  
 7. **Electrical connection** \_\_\_\_\_ 5  
 7.1 Terminal block \_\_\_\_\_ 6  
 8. **Commissioning** \_\_\_\_\_ 6  
 8.1 Appliance handover \_\_\_\_\_ 6  
 9. **Troubleshooting** \_\_\_\_\_ 7  
 10. **Normal maintenance** \_\_\_\_\_ 8  
 11. **Technical Data** \_\_\_\_\_ 8  
 11.1 Dimensions \_\_\_\_\_ 8  
 11.2 Wiring diagram \_\_\_\_\_ 8  
 11.3 Temperature increase above ambient water temperature \_\_\_\_\_ 9  
 11.4 Data table \_\_\_\_\_ 10  
 12. **Spare parts** \_\_\_\_\_ 11  
 13. **Warranty** \_\_\_\_\_ 12

# OPERATION

## 1. General information



**Note**

Read these instructions carefully before using the appliance and familiarize yourself with its functions. Keep these instructions safe. Pass on the instructions to a new user if required.

### 1.1 Safety information

#### 1.1.1 Structure of safety information



**KEYWORD Type of risk**

Here, possible consequences are listed that may result from not observing the safety information.

► Steps to prevent the risk are listed.

#### 1.1.2 Symbols, type of risk

Symbol	Type of risk
	Injury
	Electrocution
	Burns or scalding

#### 1.1.3 Keywords

KEYWORD	Description
DANGER	If this information is not observed, it will result in serious injury or death.
WARNING	If this information is not observed, it can result in serious injury or death.
CAUTION	If this information is not observed, it can lead to medium or minor injury.

1.2 Other symbols in this document



**Note**  
Notes are bordered by horizontal lines above and below the text. General information is identified by the symbol shown on the left.  
► Read these notes carefully.

Symbol	
	Damage to the appliance and environment
	Appliance disposal

► This symbol indicates that you have to do something. The action you need to take is described step by step.

2. Safety

Observe the following safety information and regulations.

Operate the appliance only when fully installed and with all safety equipment fitted.

2.1 Intended use

The appliance is intended for heating domestic hot water and can supply one draw-off point.

Any other use beyond that described shall be deemed inappropriate.

Observation of these instructions is also part of the correct use of this appliance.

2.2 General Information

This appliance is designed for domestic use. It can be used safely by untrained persons. The appliance can also be used in a non-domestic environment, e.g. in a small business, as long as it is used in the same way.

Read this entire manual. Failure to follow all the guides, instructions and rules could cause personal injury or property damage. Improper installation, adjustment, alteration, service and use of this appliance can result in serious injury.

This appliance must be installed by a licensed electrician and plumber. The installation must comply with all national, state and local plumbing and electric codes. Proper installation is the responsibility of the installer. Failure to comply with the installation and operating instructions or improper use voids the warranty.

Save these instructions for future reference. Installer should leave these instructions with the consumer.

If you have any questions regarding the installation, use or operation of this water heater, or if you need any additional installation manuals, please call our technical service line, see last side.

2.3 Safety Precautions



**DANGER: Injury**  
Please read and follow these instructions. Failure to follow these instructions could result in serious personal injury or death.



**Damage to the appliance and the environment**  
The appliance must be installed by a licensed electrician and plumber. The installation must comply with all national, state and local plumbing and electric codes. Service of the appliance must be performed by qualified service TECHNICIANS.



**DANGER: Electrocutation**  
Before proceeding with any installation, adjustment, alteration, or service of this appliance all circuit breakers and disconnect switches servicing the appliance must be turned off. Failure to do so could result in serious personal injury or death.



**DANGER: Electrocutation**  
Never remove the appliance's cover unless the electricity servicing the appliance is turned off. Failure to do so could result in personal injury or death.



**DANGER: Electrocutation**  
The appliance must be properly grounded. Failure to electrically ground the product could result in serious personal injury or death.



**DANGER: Burns**  
Water temperatures over 125 °F (52 °C) can cause severe burns instantly or death from scalding. A hot water scalding potential exists if the thermostat on the appliance is set too high. Households with small children, disabled or elderly persons may require that the thermostat be set at 113 °F (45 °C) or lower to prevent possible injury from hot water.



**WARNING: Injury**  
Where children or persons with limited physical, sensory or mental capabilities are to be allowed to control this appliance, ensure that this will only happen under supervision or after appropriate instructions by a person responsible for their safety. Children should be supervised to ensure that they never play with the appliance.


2.4 Test symbols

See type plate on the appliance.

# INSTALLATION

## REGISTER YOUR PRODUCT

### 3. Register your product

 You must register this product within 90 days of purchase on our web site in order to activate the standard warranty or to be eligible for the extended warranty. Go to our web site at [www.stiebel-eltron-usa.com](http://www.stiebel-eltron-usa.com) and click on register your product.

Before beginning the registration process, we suggest that you gather the necessary information which will be as follows:

Type, Example: DHC (from the label that is on the unit)

Number listed after "Nr."

Place of Purchase

Purchase Date

First & Last Name

Email address

Physical Address

Phone Number

Installation Date

IF YOU HAVE ANY QUESTIONS CONCERNING THE REGISTRATION PROCESS OR WARRANTY OPTIONS, PLEASE CONTACT STIEBEL ELTRON USA DIRECTLY AT (800)-582-8423.

### 4. General

The DHC tankless water heater differs from conventional storage type water heaters in several ways. It does not store hot water. Instead, water is heated instantaneously as it flows through the unit. The powerful heating elements are activated by a flow switch as water is drawn from a hot water faucet connected to the DHC. Due to the absence of stand-by losses, the DHC has greater energy efficiency than storage type water heaters.

The temperature of the hot water delivered by the DHC depends on the wattage of the heating element, the temperature of the incoming cold water, and the water flow rate through the unit. In order for the DHC to operate properly, it must be carefully matched to the application.

In case you have questions regarding the way you plan to use the DHC, please call our technical service line at 800-582-8423 (USA and Canada). For service outside the U.S. and Canada, please call us at USA 413-247-3380. You can also e-mail us at [info@stiebel-eltron-usa.com](mailto:info@stiebel-eltron-usa.com) or fax us at 413-247-3369.

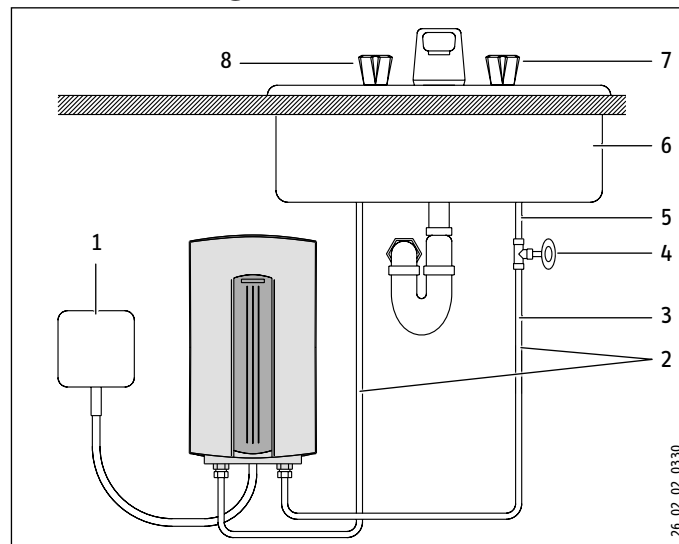
The DHC can be used for hand washing type applications in the U.S. and Canada:

- Restroom sinks in commercial/industrial facilities and homes
- Kitchen areas in commercial /industrial facilities and homes
- Cabins
- Special uses in photo developing shops, laboratories etc.

The DHC can also be used for whole apartments and homes in warm climate zones such as the Caribbean region, Central America and Mexico due to the higher ambient water temperatures.

# INSTALLATION

### 5. Mounting the unit



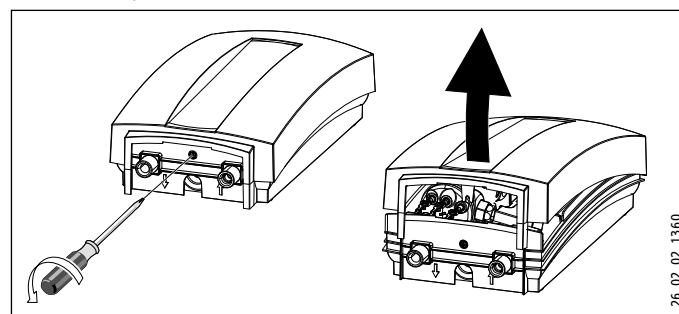
- 1 Electrical junction box
- 2 Water supply line for faucet installation
- 3 3/8" compression-T
- 4 Shut-off valve
- 5 1/2" main pipe
- 6 Sink
- 7 Cold valve (right)
- 8 Hot valve (left)



#### **DANGER: Electrocutation**

The unit must be installed in a vertical position with the water fittings pointing downward. Do not install unit where it would routinely be splashed with water. Electric shock may result.

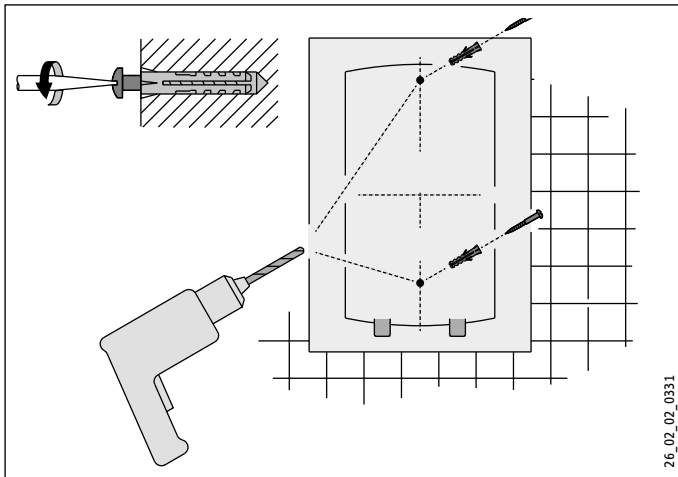
1. Install DHC as close as possible to the hot water draw-off point, for example, directly underneath the sink or next to the shower stall.
2. Install DHC in a frost free area. If frost may occur, remove unit before freezing temperatures set in.
3. Leave a minimum of 5" of clearance on all sides for servicing.
4. Remove plastic cover.



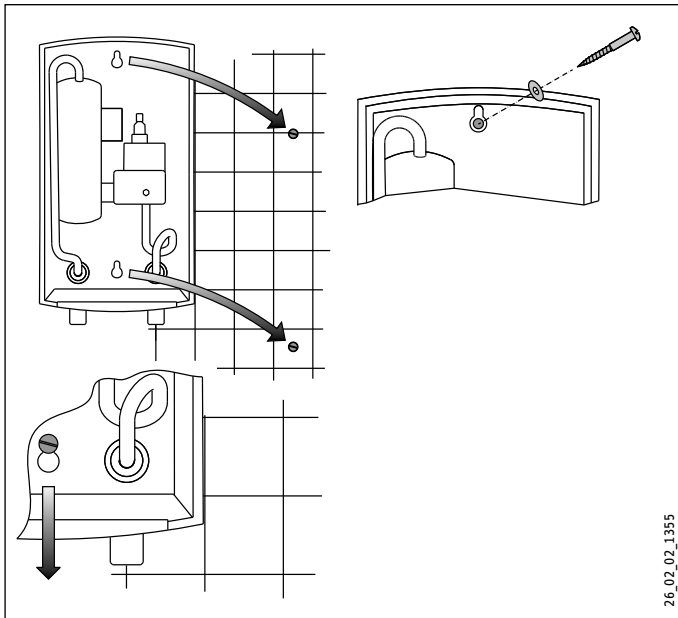
5. Mount unit securely to wall by putting two screws through mounting holes. Screws and plastic wall anchors for mounting on masonry or wood are provided.

# INSTALLATION

## WATER CONNECTIONS



26\_02\_02\_0331



26\_02\_03\_1355

### 6. Water connections

1. All plumbing work must comply with national and applicable state and local plumbing codes.
2. A pressure reducing valve must be installed if the cold water supply pressure exceeds 150 psi (10 bar).
3. Make certain that the cold water supply line has been flushed to remove any scale and dirt.
4. Install isolating valve in cold water line as shown in illustration. This allows the unit to be isolated for maintenance purposes.
5. Cold water connection (inlet) is on the right side of the unit, hot water connection (outlet) is on the left side of unit.



**Note**

Excessive heat from soldering on copper pipes near the DHC may cause damage.

6. Tankless water heaters such as the DHC are not required to be equipped with a Temperature and Pressure Relief Valve (T&P). If the local inspector will not pass the installation without a T&P, it should be installed on the hot water outlet side of appliance.

7. The DHC's hot water outlet is designed for connection to copper tubing, PEX tubing or a braided stainless steel hose with a 1/2" NPT female tapered thread.
8. The plumbing on the cold water inlet side needs to be such that it can easily be removed to allow access to the inlet filter screen. The easiest way to achieve this is to use a stainless steel braided hose connector. If soldering near the unit is necessary, please direct the flame away from the housing of the unit in order to avoid damage.
9. When all plumbing work is completed, check for leaks and take corrective action before proceeding.

### 7. Electrical connection

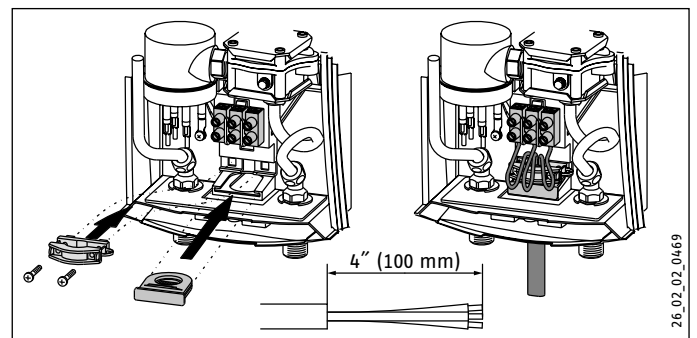


**WARNING:**

Before beginning any work on the electric installation, be sure that main breaker panel switches are "off" to avoid any danger of electric shock. All mounting and plumbing must be completed before proceeding with electrical hook-up. Where required by local, state or national electrical codes the circuits should be equipped with a "ground fault interrupter".

The unit must be properly grounded in accordance with state and local codes, or in absence of such codes, in accordance with national electric code or the Canadian electric code. Failure to electrically ground the product could result in serious personal injury or death.

1. All electrical work must comply with national and applicable state and local electrical codes.
2. The DHC should be connected to a properly grounded dedicated branch circuit of proper voltage rating. In installations with several DHC units, each unit requires an independent circuit. Please refer to the technical data table for the correct wire and circuit breaker size.
3. The wire must be fed through the rubber seal located between the hot and cold water connections. Then feed wires through strain relief clamp and tighten clamp down on wire. The "live" wires must be connected to the slots on the terminal block marked N and L (DHC 3-1 only) or L and L (all other versions). The ground wire must be connected to slot marked with the ground symbol.
4. Reinstall plastic cover.



26\_02\_02\_0469

---

# INSTALLATION

## COMMISSIONING

---

### 7.1 Terminal block

Consult the chart below for the recommended torque amounts on the terminal block screws.

Screw Size (mm)	Min. Torque (N•cm)	Min. Torque (Lbf•in)
M5	150-200	13.3-17.7

Using the proper torque specifications to secure wire to the wiring block helps to avoid personal loss or property damage.<sup>10</sup>

## 8. Commissioning



### WARNING:

Open hot water faucet for a few minutes until water flow is continuous and all air is purged from water pipes. The unit's cover must be installed before the circuit breakers are turned on.

1. Turn on circuit breaker to bring electrical power to the unit.
2. Open hot water faucet to a degree so that water flow is „typical“ i.e. until the water flow is the same as that encountered during normal use.
3. Wait twenty seconds until temperature has stabilized. Then check water temperature. If temperature is too low, the water flow rate needs to be reduced. In order to do this, turn off the unit's circuit breaker, remove the cover and turn the flow adjustment screw shown in illustration clockwise 1/2 turn (180 degrees). Then reinstall plastic cover, turn on circuit breaker and check water temperature. This procedure should be repeated until the desired temperature is achieved. In case the water temperature is too high, turn the flow adjustment screw counter clockwise in the same manner until the desired temperature is achieved. The arrows in illustration refer to the water temperature.
4. In order to obtain temperature control at a single spout mixer-type faucet, restrict cold water flow to faucet by partially closing the cold water shut-off valve under the sink until cold water and hot water flow rates are approximately the same.

### 8.1 Appliance handover

Explain the functions of the appliance to the user. Draw special attention to the safety information. Hand the operating and installation instructions to the user.

# INSTALLATION TROUBLESHOOTING

## 9. Troubleshooting

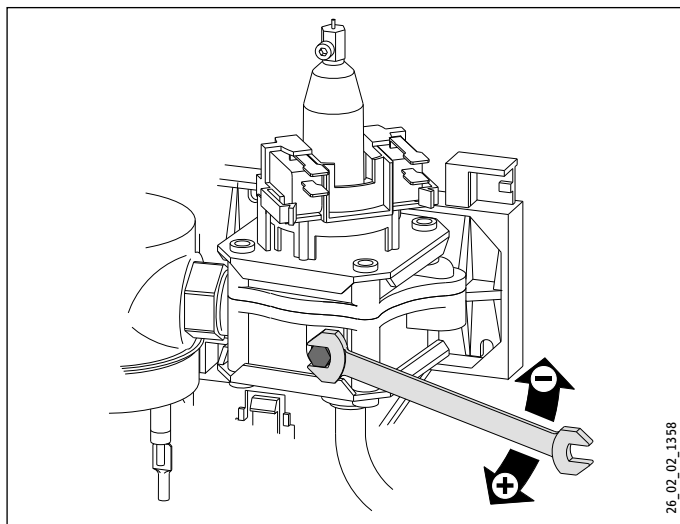
Symptom	Possible cause	Solution
No hot water but audible click can be heard when water is turned on.	Circuit breaker off	Circuit breaker on.
	Safety thermal cut-out tripped	Reset thermal cut-out.
	Heater may be undersized	See section 11.3, "Temperature increase above ambient water temperature", pg. 9
No hot water and no audible click can be heard when water is turned on	Water flow too low to activate flow switch	Clean faucet aerator.
		Open shut-off valve completely.
		Increase flow by opening flow adjustment screw (turn counterclockwise).
Water not warm enough	Water flow too high	Clean filter screen at DHC unit. See section 12, "Spare parts", pg. 11.
		Reduce water flow by closing flow adjustment screw (turn clockwise). See section 11.3, "Temperature increase above ambient water temperature", pg. 9
	Voltage too low	Supply correct voltage to unit.

If you are not able to resolve a problem please contact us toll free at 800-582-8423 before removing the unit from the wall. STIEBEL ELTRON is happy to provide technical assistance. In most instances, we can resolve the problem over the phone.

### Flow adjustment screw

To lower the water temperature or increase water flow, open the flow adjustment screw by turning counterclockwise (-). This **decreases** the water temperature by **increasing** water volume.

To raise the water temperature or reduce water flow, close the flow adjustment screw by turning clockwise (+). This **increases** the water temperature by **decreasing** water volume.

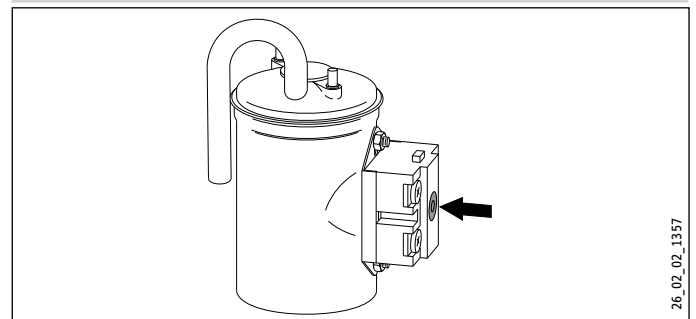


### Reset button from safety thermal cut out



#### **DANGER: Electrocutation**

**Do not attempt to reset the safety thermal cutout of this water heater unless power to the unit has been completely shut off at the circuit breakers.**



# INSTALLATION

## NORMAL MAINTENANCE

### 10. Normal maintenance

STIEBEL ELTRON DHC tankless heaters are designed for a very long service life. Actual life expectancy will vary with water quality and use. The unit itself does not require any regular maintenance. However, to ensure consistent water flow, it is recommended to periodically remove scale and dirt that may build up at the aerator of the faucet or in the shower head. Also, the DHC has a built in filter screen that should be cleaned from time to time. In order to do this, turn off the cold water supply at the isolating valve and remove the ground wire. Twist cold water supply tube counterclockwise by 90° and pull towards bottom of unit. Clean screen and put the screen, the cold water supply tube and the ground wire back into their original position. Please be sure that the ground wire is reinstalled and that ground screw is securely tightened after this procedure.

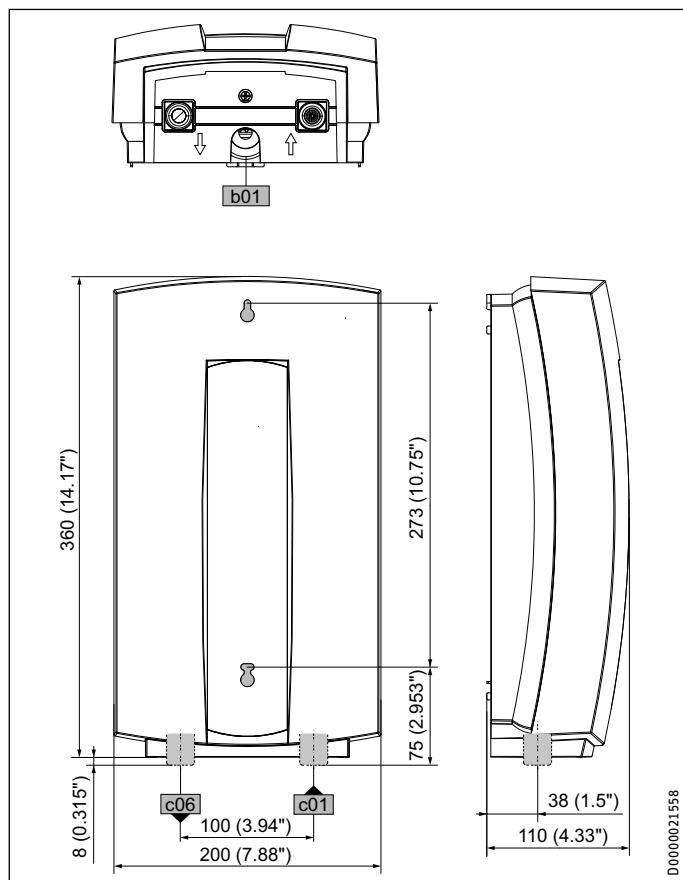


**Note:**

Other than the filter screen, the DHC does not contain any parts serviceable by the lay person. In case of malfunction please contact a licensed plumber or electrician.

### 11. Technical Data

#### 11.1 Dimensions



b01	electrical supply cable	
c01	cold water connection	1/2" NPT
c06	hot water connection	1/2" NPT

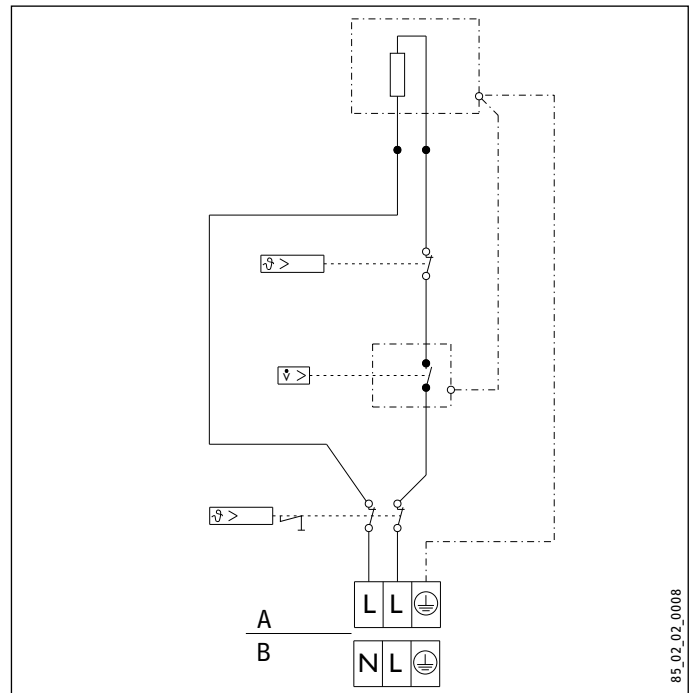
### 11.2 Wiring diagram

DHC 3-2, DHC 4-2, DHC 5-2

A 2/GND ~ 208 / 240 V

DHC 4-3

B 1/N/GND ~ 277 V




85\_02\_02\_0008



# INSTALLATION TECHNICAL DATA

DHC 6-2, DHC 8-2, DHC 10-2

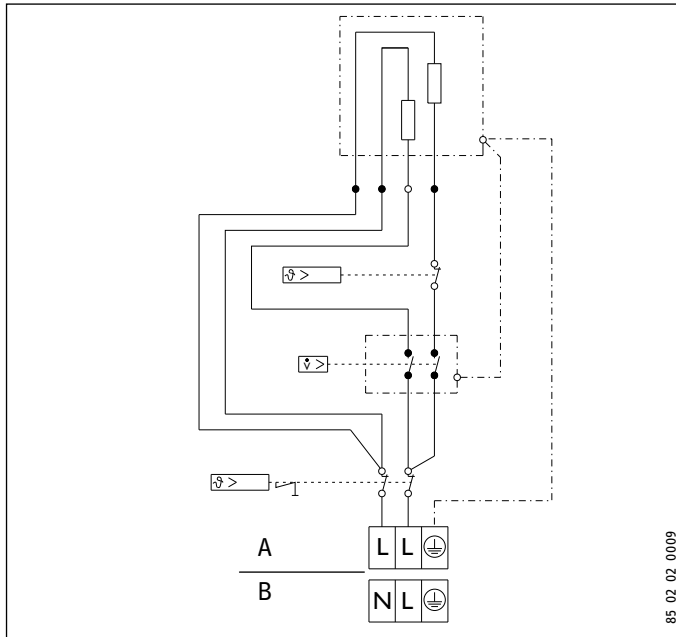
A  2/N/GND ~ 208 / 240V

DHC 9-3

B  1/N/GND ~ 277V


DHC 3-1

B  1/N/GND ~ 120V




## 11.3 Temperature increase above ambient water temperature

Typ	kW	[ °F ]									
		GPM (gallon per minute)									
		0.32	0.42	0.48	0.5	0.69	0.75	0.79	1.0	1.5	2.0
DHC 3-1	3.0	65	49	43	41	30	27	26	20	14	10
DHC 3-2	2.5	54	40	35	34	25	23	21	17	11	9
	3.3	71	53	47	45	33	30	28	22	15	11
DHC 4-2	2.9	-	47	41	40	29	26	25	20	13	10
	3.8	-	61	54	52	38	35	33	26	17	13
DHC 4-3	4.5	-	73	64	61	45	41	39	31	20	15
DHC 5-2	3.6	-	58	51	49	36	33	31	25	16	12
	4.8	-	77	68	65	48	44	41	33	22	16
DHC 6-2	4.5	-	-	64	61	45	41	39	31	20	15
	6.0	-	-	85	82	60	55	52	41	27	20
DHC 8-2	5.4	-	-	-	-	54	49	46	37	25	18
	7.2	-	-	-	-	71	65	62	49	33	25
DHC 9-3	9.0	-	-	-	-	-	-	77	58	41	31
DHC 10-2	7.2	-	-	-	-	-	-	62	49	33	25
	9.6	-	-	-	-	-	-	82	65	44	33

 Min. water flow to activate unit

Typ / Type	kW	[ °C ]								
		l/min								
		1.2	1.6	1.8	2.0	2.6	3.0	4.0	5.0	7.5
DHC 3-1	3.0	36	27	24	22	17	14	11	9	6
DHC 3-2	2.5	30	22	20	18	14	12	9	7	5
	3.3	39	30	26	24	18	16	12	9	6
DHC 4-2	2.9	-	26	23	21	16	14	10	8	6
	3.8	-	34	30	27	21	18	14	11	7
DHC 4-3	4.5	-	40	36	32	25	22	16	13	9
DHC 5-2	3.6	-	32	29	26	20	17	13	10	7
	4.8	-	43	38	34	26	23	17	14	9
DHC 6-2	4.5	-	-	36	32	25	22	16	13	9
	6.0	-	-	48	43	33	29	22	17	11
DHC 8-2	5.4	-	-	-	-	30	26	19	15	10
	7.2	-	-	-	-	40	34	26	21	14
DHC 9-3	9.0	-	-	-	-	-	43	32	26	17
DHC 10-2	7.2	-	-	-	-	-	34	26	21	14
	9.6	-	-	-	-	-	46	34	28	18

 Min. water flow to activate unit

# INSTALLATION TECHNICAL DATA

## 11.4 Data table

	DHC 3-1	DHC 3-2		DHC 4-2		DHC 4-3	DHC 5-2		DHC 6-2		DHC 8-2		DHC 9-3	DHC 10-2	
	074050	074052		074053		074051	074054		074424		074055		232204	074056	
<b>Electrical details</b>															
Voltage	120 V	208 V	240 V	208 V	240 V	277 V	208 V	240 V	208 V	240 V	208 V	240 V	277 V	208 V	240 V
Wattage	3.0 kW	2.5 kW	3.3 kW	2.9 kW	3.8 kW	4.5 kW	3.6 kW	4.8 kW	4.5 kW	6.0 kW	5.4 kW	7.2 kW	9 kW	7.2 kW	9.6 kW
Amperage	25 A	12 A	14 A	14 A	16 A	17 A	18 A	20 A	22 A	25 A	26 A	30 A	32.5 A	35 A	40 A
Min. recommended circuit breaker size <sup>1</sup>	25 A	15 A	15 A	15 A	20 A	20 A	20 A	20 A	25 A	25 A	30 A	30 A	35 A	35 A	40 A
Min. recommended wire size (copper) <sup>2</sup>	10 AWG	14 AWG		14 AWG	12 AWG	12 AWG	12 AWG		10 AWG		10 AWG	8 AWG		8 AWG	
Power connection	1/N/GND	2/GND		2/GND		1/N/GND	2/GND		2/GND		2/GND		2/GND	2/GND	
<b>Connections</b>															
Water connection <sup>3</sup>	1/2" NPT														
Total alkaline earths	2.5 mol/m <sup>3</sup>														
Total hardness (H <sub>2</sub> O)	14 Degree d														
Hardness range	2 (average hardness)														
<b>Hydraulic data</b>															
Rated capacity	0.5 l														
Rated capacity	0.13 gal														
<b>Values</b>															
Max. permissible inlet temp.	86 °F / 30°C														
Min. water flow to activate unit	1.2 l/min	1.2 l/min	1.6 l/min		1.6 l/min	1.6 l/min	1.6 l/min	1.8 l/min	2.6 l/min	3.0 l/min	3.0 l/min		3.0 l/min	3.0 l/min	
Min. water flow to activate unit	0.32 GPM	0.32 GPM	0.43 GPM		0.43 GPM	0.43 GPM	0.43 GPM	0.48 GPM	0.69 GPM	0.8 GPM	0.8 GPM		0.8 GPM	0.8 GPM	
Pressure drop at flow rate	0.023 MPa	0.023 MPa	0.023 MPa		0.023 MPa	0.023 MPa	0.023 MPa	0.023 MPa	0.025 MPa	0.03 MPa	0.03 MPa		0.03 MPa	0.03 MPa	
Pressure drop at flow rate	2.88 PSI	2.88 PSI	2.88 PSI		2.88 PSI	2.88 PSI	2.88 PSI	2.88 PSI	3.13 PSI	3.75 PSI	3.75 PSI		3.75 PSI	3.75 PSI	
Flow rate for pressure drop	1.2 l/min	1.2 l/min	1.6 l/min		1.6 l/min	1.6 l/min	1.8 l/min	2.6 l/min	3.0 l/min	3.0 l/min		3.0 l/min	3.0 l/min		
Flow rate for pressure drop	0.32 GPM	0.32 GPM	0.43 GPM		0.43 GPM	0.43 GPM	0.43 GPM	0.48 GPM	0.69 GPM	0.8 GPM	0.8 GPM		0.8 GPM	0.8 GPM	
DHW delivery	1.2 l/min	1.2 l/min	1.6 l/min		1.6 l/min	1.6 l/min	1.8 l/min	2.6 l/min	3.0 l/min	3.0 l/min		3.0 l/min	3.0 l/min		
DHW delivery	0.32 GPM	0.32 GPM	0.43 GPM		0.43 GPM	0.43 GPM	0.43 GPM	0.48 GPM	0.69 GPM	0.8 GPM	0.8 GPM		0.8 GPM	0.8 GPM	
<b>Application limits</b>															
Max. permissible pressure	1 MPa														
Max. permissible pressure	150 PSI														
Test pressure	2 MPa														
Test pressure	300 PSI														
<b>Versions</b>															
IP-Rating	IP25														
Material of the pressure vessel	Copper														
Heating system	Tubular heater														
Cover and back panel	Plastic														
Color	white														
<b>Dimensions</b>															
Height	14.17 in / 360 mm														
Width	7.88 in / 200 mm														
Depth	4.33 in / 100 mm														
<b>Weights</b>															
Weight	2.1 kg														
Weight	4.6 lb														

DHC 3-1, 3-2, 4-2 ship with a 0.5 gpm (1.9 l/min) pressure compensating flow-reducer/aerator that must be installed.

<sup>1</sup> This is our recommendation for overcurrent protection sized at 100% of load (DP for 240/208/277 V & SP for 120 V models).

Check local codes for compliance if necessary. Tankless water heaters are considered a non-continuous load.

<sup>2</sup> Copper must be used. Conductors should be sized to maintain a voltage drop of less than 3% under load.

<sup>3</sup> Suitable for supply with cold water only.

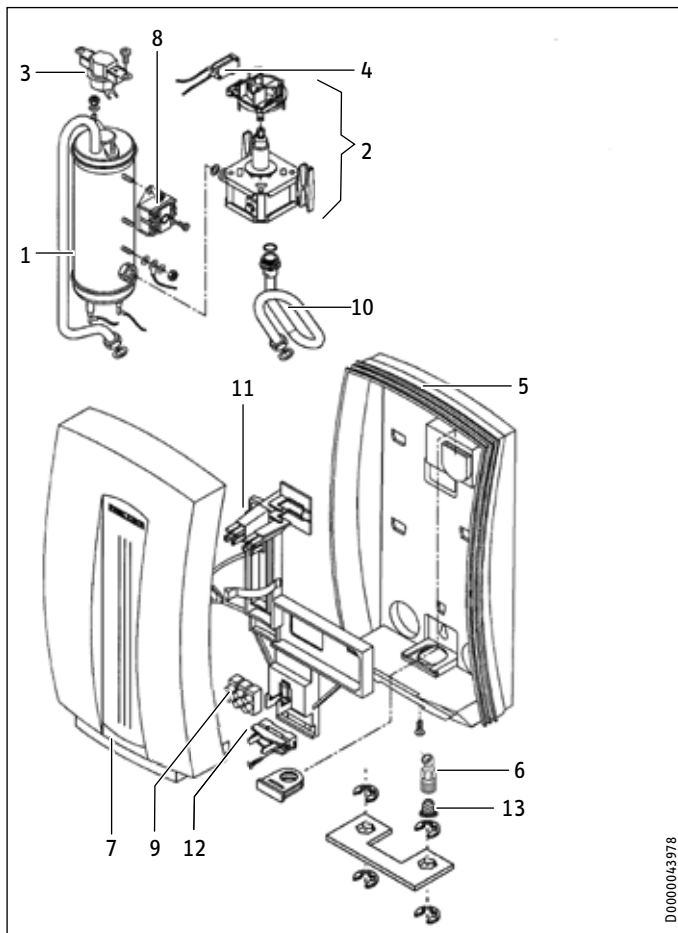
# INSTALLATION

## SPARE PARTS

### 12. Spare parts

No.	Spare part	DHC 3-1	DHC 3-2	DHC 4-2	DHC 4-3	DHC 5-2	DHC 6-2	DHC 8-2	DHC 9-3	DHC 10-2
1	Heating system	165889	167769	167770	165890	167771	171117	167772	296874	167773
2	Flow switch	165273	165273	162162	162162	162162	171105	162164	162465	162165
3	Thermostat	162472	162472	162472	162472	162472	162472	162472	162472	162472
4	Switch	168026	168026	168026	168026	168026	168026	168026	168026	168026
5	Housing (back)	165891	165891	165891	165891	165891	165891	165891	165891	165891
6	Plumbing connection	170789	170789	170789	170789	170789	170789	170789	170789	170789
7	Housing (front)	165892	165892	165892	165892	165892	165892	165892	165892	165892
8	Safety thermal cut out	162474	162474	162474	162474	162474	162474	162474	162474	162474
9	Wiring block	026010	026010	026010	026010	026010	026010	026010	026010	026010
10	Copper tube	162314	162314	162314	162314	162314	162314	162314	162314	162314
11	Module chassis	162462	162462	162462	162462	162462	162462	162462	162462	162462
12	Wire strain relief clamp	055754	055754	055754	055754	055754	055754	055754	055754	055754
13	Filter screen	275981	275981	275981	275981	275981	275981	275981	275981	275981

ENGLISH



### 13. Warranty

Subject to the terms and conditions set forth in this limited warranty, Stiebel Eltron, Inc. (the “Manufacturer”) hereby warrants to the original purchaser (the “Owner”) that each Tankless Electric Domestic Hot Water Heater (the “Heater”) shall not (i) leak due to defects in the Manufacturer’s materials or workmanship for a period of seven (7) years from the date of purchase or (ii) fail due to defects in the Manufacturer’s materials or workmanship for a period of three (3) years from the date of purchase. As Owner’s sole and exclusive remedy for breach of the above warranty, Manufacturer shall, at the Manufacturer’s discretion, send replacement parts for local repair; retrieve the unit for factory repair, or replace the defective Heater with a replacement unit with comparable operating features. Manufacturer’s maximum liability under all circumstances shall be limited to the Owner’s purchase price for the Heater.

This limited warranty shall be the exclusive warranty made by the Manufacturer and is made in lieu of all other warranties, express or implied, whether written or oral, including, but not limited to warranties of merchantability and fitness for a particular purpose. Manufacturer shall not be liable for incidental, consequential or contingent damages or expenses arising directly or indirectly from any defect in the Heater or the use of the Heater. Manufacturer shall not be liable for any water damage or other damage to property of Owner arising, directly or indirectly, from any defect in the Heater or the use of the Heater. Manufacturer alone is authorized to make all warranties on Manufacturer’s behalf and no statement, warranty or guarantee made by any other party shall be binding on Manufacturer.

Manufacturer shall not be liable for any damage whatsoever relating to or caused by:

1. any misuse or neglect of the Heater, any accident to the Heater, any alteration of the Heater, or any other unintended use;
2. acts of God and circumstances over which Manufacturer has no control;

3. installation of the Heater other than as directed by Manufacturer and other than in accordance with applicable building codes;
4. failure to maintain the Heater or to operate the Heater in accordance with the Manufacturer’s specifications;
5. operation of the Heater under fluctuating water pressure or in the event the Heater is supplied with non-potable water, for any duration;
6. improper installation and/or improper materials used by any installer and not relating to defects in parts or workmanship of Manufacturer;
7. moving the Heater from its original place of installation;
8. exposure to freezing conditions;
9. water quality issues such as corrosive water, hard water, and water contaminated with pollutants or additives;

Should owner wish to return the Heater to manufacturer for repair or replacement under this warranty, Owner must first secure written authorization from Manufacturer. Owner shall demonstrate proof of purchase, including a purchase date, and shall be responsible for all removal and transportation costs. If Owner cannot demonstrate a purchase date this warranty shall be limited to the period beginning from the date of manufacture stamped on the Heater. Manufacturer reserves the right to deny warranty coverage upon Manufacturer’s examination of Heater. This warranty is restricted to the Owner and cannot be assigned.

Some States and Provinces do not allow the exclusion or limitation of certain warranties. In such cases, the limitations set forth herein may not apply to the Owner. In such cases this warranty shall be limited to the shortest period and lowest damage amounts allowed by law. This warranty gives you specific legal rights and you may also have other rights which vary from State to State or Province to Province.

Owner shall be responsible for all labor and other charges incurred in the removal or repair of the Heater in the field. Please also note that the Heater must be installed in such a manner that if any leak does occur, the flow of water from any leak will not damage the area in which it is installed.



**The installation, electrical connection and first operation of this appliance should be carried out by a qualified installer.**



**The company does not accept liability for failure of any goods supplied which have not been installed and operated in accordance with the manufacturer’s instructions.**

### Environment and recycling

Please help us to protect the environment by disposing of the packaging in accordance with the national regulations for waste processing.

This Warranty is valid for U.S.A. & Canada only. Warranties may vary by country. Please consult your local Stiebel Eltron Representative for the Warranty for your country.

**UTILISATION**

1. **Remarques générales** \_\_\_\_\_ 2  
 1.1 Informations relatives à la sécurité \_\_\_\_\_ 2  
 1.2 Autres repérages utilisés dans ce document \_\_\_\_\_ 3  
 2. **Sécurité** \_\_\_\_\_ 3  
 2.1 Utilisation conforme \_\_\_\_\_ 3  
 2.2 Informations générales \_\_\_\_\_ 3  
 2.3 Précautions de sécurité \_\_\_\_\_ 3  
 2.4 Label de conformité \_\_\_\_\_ 3  
 3. **Inscrivez votre produit** \_\_\_\_\_ 4  
 4. **Général** \_\_\_\_\_ 4

**INSTALLATION**

5. **Montage de l'appareil** \_\_\_\_\_ 5  
 6. **Raccordements d'eau** \_\_\_\_\_ 6  
 7. **Raccordement électrique** \_\_\_\_\_ 6  
 7.1 Bloc de câblage \_\_\_\_\_ 6  
 8. **Mise en œuvre du chauffe-eau** \_\_\_\_\_ 7  
 9. **Dépannage** \_\_\_\_\_ 8  
 10. **Maintenance normale** \_\_\_\_\_ 9  
 11. **Caractéristiques techniques** \_\_\_\_\_ 9  
 11.1 Plan de cotes \_\_\_\_\_ 9  
 11.2 Schéma de câblage \_\_\_\_\_ 9  
 11.3 élévation de température au delà de la température ambiante de l'eau \_\_\_\_\_ 10  
 11.4 Tableau de données \_\_\_\_\_ 11  
 12. **Pièces de rechange** \_\_\_\_\_ 12  
 13. **Garantie** \_\_\_\_\_ 13

**UTILISATION**

**1. Remarques générales**



**Remarque:**

Lisez attentivement cette notice avant d'utiliser l'appareil et familiarisez-vous avec ses fonctions. Conservez la notice dans un endroit sûr. Remettez cette notice au nouvel utilisateur le cas échéant.

**1.1 Informations relatives à la sécurité**

**1.1.1 Structure des consignes de sécurité**

**MOT-CLÉ: Nature du danger**  
 Ici s'affichent les conséquences possibles de la non-observation des prescriptions de sécurité.  
 ► Les mesures permettant d'éviter ces dangers sont également indiquées.

**1.1.2 Symboles, nature du danger**

Symbole	Nature du danger
	Blessure
	Électrocution
	Brûlures ou ébouillancements

**1.1.3 Mots-clés**

MOT-CLÉ	Description
DANGER	La non-observation de ces informations entraîne des blessures graves, voire la mort.
AVERTISSEMENT	La non-observation de ces informations peut entraîner des blessures graves, voire la mort.
ATTENTION	La non-observation de ces informations peut entraîner des blessures moyennement graves ou légères.

### 1.2 Autres repérages utilisés dans ce document



#### Remarque:

Les remarques sont délimitées par des lignes horizontales au-dessus et en dessous du texte. Les remarques d'ordre général sont caractérisées par le symbole représenté ici à gauche.

► Lisez attentivement ces remarques.

Symbole	
	Dommages sur l'appareil et sur l'environnement
	Recyclage de l'appareil

► Ce symbole indique ce que vous devez faire. Ce que vous devez faire est décrit étape par étape.

## 2. Sécurité

Respectez les consignes suivantes et les prescriptions de sécurité. N'utilisez cet appareil que s'il est complètement installé et doté de tous les dispositifs de sécurité.

### 2.1 Utilisation conforme

L'appareil est destiné au chauffage de l'eau sanitaire et peut un point de soutirage.

Toute utilisation dépassant ces spécifications est considérée comme non conforme.

Le respect de la présente notice faite également partie de l'utilisation conforme de cet appareil.

### 2.2 Informations générales

L'appareil est destiné à une utilisation domestique. Il peut être utilisé par des personnes qui ne disposent pas de connaissances techniques particulières. L'appareil peut également être utilisé dans un environnement non domestique, p. ex. dans des petites entreprises, à condition que son utilisation soit du même ordre.

Lisez la notice en sa totalité. La non-observation de toutes les directives, notices et réglementations peut entraîner des blessures corporelles et/ou des dégâts matériels. Une installation, un paramétrage, une modification ou une maintenance effectuée de manière incorrecte sur cet appareil peut entraîner des blessures très importantes.

Cet appareil doit être installé par un installateur agréé. L'installation doit satisfaire à toutes les prescriptions nationales, régionales et locales. L'installateur est responsable de la réalisation correcte de l'installation. La non-observation de la notice d'installation et d'emploi ou toute installation non-conforme invalide la garantie.

Conservez la présente notice pour consultation ultérieure. L'installateur doit remettre cette notice à l'utilisateur.

En cas de questions à propos de l'installation, de l'utilisation et de l'exploitation de ce préparateur d'eau chaude sanitaire, ou bien si vous avez besoin de manuels d'installation supplémentaires, merci de contacter le numéro de téléphone de l'assistance technique (voir la dernière page).

### 2.3 Précautions de sécurité



#### AVERTISSEMENT: Blessure

Lisez et respectez la présente notice.

Le non-observation de cette notice peut entraîner des blessures très graves, voire la mort.



#### Dommages sur l'appareil et sur l'environnement:

L'appareil doit être installé par un installateur agréé. L'installation doit satisfaire à toutes les prescriptions nationales, régionales et locales.

La maintenance de l'appareil doit être effectuée par un installateur qualifié.



#### DANGER: Électrocution

Avant d'effectuer les travaux d'installation, de paramétrage, de modification ou de maintenance sur cet appareil, coupez tous les disjoncteurs et sectionneurs de l'alimentation électrique de l'appareil. La non-observation de ces consignes peut entraîner des blessures très graves, voire la mort.



#### DANGER: Électrocution

Ne retirez le capot de l'appareil qu'une fois l'alimentation électrique de l'appareil coupée. La non-observation de cette consigne peut entraîner des blessures, voire la mort.



#### DANGER: Électrocution

L'appareil doit être relié correctement à la terre. L'absence de liaison à la terre du produit peut entraîner des blessures très graves, voire la mort.



#### DANGER: Brûlures

L'eau à des températures supérieures à 52 °C (125 °F) peut entraîner des brûlures immédiates graves, voire la mort par ébullition. Le danger d'ébullition par eau brûlante existe lorsque le thermostat de l'appareil est sur un réglage trop élevé. Dans les foyers avec des enfants en bas âge, des personnes handicapées ou âgées, il peut être nécessaire de régler le thermostat sur 45 °C (113 °F) ou moins pour éviter les blessures dues à l'eau chaude.



#### AVERTISSEMENT: Blessure

L'appareil peut être utilisé par les enfants de 8 ans et plus ainsi que par les personnes aux facultés physiques, sensorielles ou mentales limitées ou manquant d'expérience et de connaissances, si elles sont supervisées ou si elles ont reçu les instructions d'usage de l'appareil et des risques pouvant résulter de son utilisation. Les enfants ne doivent pas jouer avec l'appareil. Les opérations de maintenance, de nettoyage à effectuer par l'utilisateur ne doivent pas être réalisées par des enfants sans surveillance.

### 2.4 Label de conformité

Voir la plaque signalétique de l'appareil.

### 3. Inscrivez votre produit



**Remarque:**  
Vous devez inscrire votre produit dans les 90 jours qui suivent la date d'achat sur notre site internet pour activer la garantie normale ou pour pouvoir réclamer la garantie prolongée, Rendez-vous à notre site internet à l'adresse suivante : [www.stiebel-eltron-usa.com](http://www.stiebel-eltron-usa.com) et cliquez sur « Register Your Product » (inscrivez votre produit),

Avant de lancer le processus d'inscription, nous vous conseillons d'avoir à portée de main la documentation nécessaire, à savoir :

Modèle, Exemple : DHC

Numéro apparaissant après « Nr, » (N°)

Lieu d'achat

Date d'achat

Prénom et nom de famille

Adresse courriel

Adresse postale

Numéro de téléphone

Date d'installation

**En cas de questions à propos du processus d'inscription ou des options pour la garantie, veuillez contacter Stiebel Eltron USA directement en composant le (800) 582-8423.**

### 4. Général

Le chauffe-eau DHC sans accumulateur diffère à plusieurs égards des chauffe-eau conventionnels à ballon d'eau chaude. Il ne stocke pas d'eau chaude. En fait, l'eau est chauffée instantanément lorsqu'elle passe dans l'appareil. Les puissants éléments chauffants sont activés par un commutateur de débit lorsque l'eau est tirée d'un robinet d'eau chaude relié au DHC. Comme il n'y a pas de perte due à la réserve d'eau, le DHC a une plus grande efficacité énergétique que les chauffe-eau à accumulation.

La température de l'eau chaude fournie par le DHC dépend de la puissance de l'élément chauffant, de la température de l'eau froide d'arrivée et du débit de l'eau à travers l'appareil. Afin que le DHC fonctionne correctement, il doit répondre exactement à son application.

Au cas où vous auriez des questions sur la manière dont vous prévoyez d'utiliser le DHC, n'hésitez pas à appeler notre service technique au n° 800-582-8423 (USA et Canada). Pour le service après-vente dans les autres pays, appelez nous au n° 413-247-3380 aux USA, vous pouvez aussi nous envoyer un e-mail à l'adresse [info@stiebel-eltron-usa.com](mailto:info@stiebel-eltron-usa.com) ou nous envoyer un fax au n° suivant: 413-247-3369.

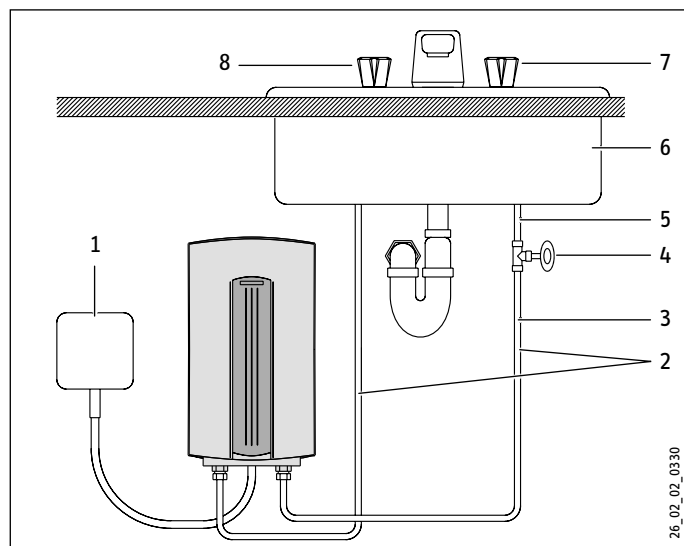
Le DHC peut être utilisé pour se laver les mains, aux USA et au Canada:

- Lavabos dans les toilettes de locaux commerciaux / industriels et d'habitations
- Cuisines dans les locaux commerciaux / industriels et les habitations
- Cabines
- Usages spéciaux dans les magasins de développement de photos, les laboratoires, etc.

Le DHC peut aussi être utilisé pour des appartements entiers et des habitations dans des zones à climat chaud comme dans la région des caraïbes, l'Amérique Centrale et le Mexique en raison des températures d'eau ambiante plus élevées.

# INSTALLATION

## 5. Montage de l'appareil



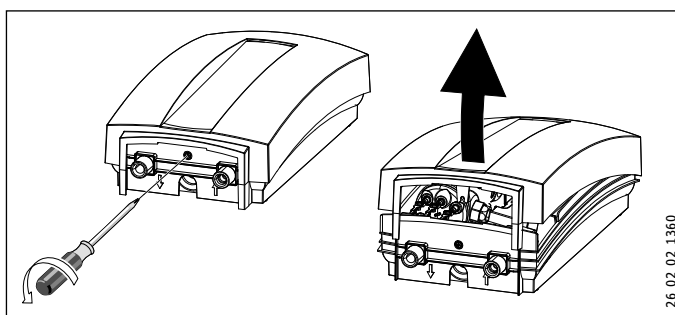
- 1 Boîte de raccordement électrique
- 2 Conduite d'alimentation en eau pour installation à robinet
- 3 T de réduction 3/8 po.
- 4 Vanne de fermeture
- 5 Tuyau principal 1/2 po.
- 6 Évier
- 7 Robinet d'eau (droit)
- 8 Robinet d'eau (gauche)



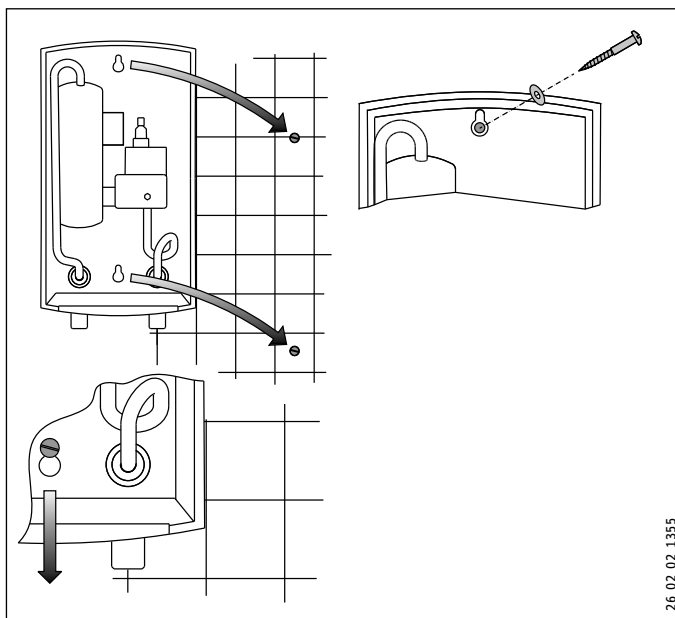
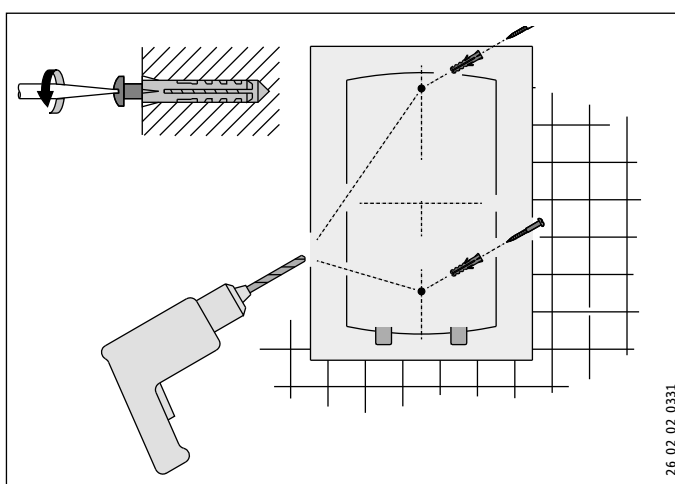
**DANGER: Électrocution**

L'appareil doit être installé en position verticale avec les sorties d'eau dirigées vers le bas. Ne pas installer l'appareil à un endroit où il serait régulièrement éclaboussé. Un choc électrique pourrait en résulter.

1. Installer le DHC aussi près que possible du point de tirage d'eau chaude, par exemple directement en dessous de l'évier ou juste à côté de la cabine de douche.
2. Installer le DHC dans une zone non exposée au gel. En cas de risque de gel, enlever l'appareil avant l'apparition des températures négatives.
3. Laisser un minimum de 5" d'espace libre sur tous les côtés pour la maintenance.
4. Enlever le cache en plastique.



5. Fixer solidement l'appareil en faisant coulisser les trous de montage sur les deux vis préalablement fixées au mur. Les vis et les chevilles en plastique pour montage sur maçonnerie ou bois sont fournies.





### 6. Raccordements d'eau

1. Tout le travail de plomberie doit répondre aux normes de plomberie nationales et locales applicables.
2. Une vanne de réduction de pression doit être installée si la pression d'alimentation d'eau froide dépasse 150 PSI (10 bar).
3. Assurez-vous que la conduite d'alimentation d'eau froide a été purgée pour enlever tout dépôt ou saleté.
4. Installer une vanne d'isolation dans la conduite d'eau froide comme le montre l'illustration. Cela permet à l'appareil d'être isolé pour des opérations de maintenance.
5. Le raccordement d'eau froide (entrée) est situé du côté droit de l'appareil, le raccordement d'eau chaude (sortie) est situé du côté gauche de l'appareil.



#### Remarque:

Une chaleur excessive de soudage sur les tuyaux de cuivre à proximité du DHC peut causer des dégâts.

6. Les chauffe-eau sans accumulateur tels que le DHC n'ont pas besoin d'être équipés d'une vanne de décharge de température et de pression. Si l'inspecteur local n'agrée pas l'installation sans cette vanne, la vanne devra être installée du côté de la sortie d'eau chaude de l'appareil.
7. La sortie d'eau chaude du DHC est conçue pour être connectée à des tubes en cuivre, PEX ou à un tuyau en acier inoxydable tressé avec un filetage conique femelle 1 / 2" NPT.
8. La plomberie côté entrée d'eau froide doit être telle qu'elle puisse être facilement retirée pour permettre l'accès au tamis du filtre d'entrée. La façon la plus simple d'y parvenir est d'utiliser un raccord de tuyau tressé en acier inoxydable. Si une soudure à proximité de l'unité est nécessaire, veuillez diriger la flamme loin du boîtier de l'unité afin d'éviter tout dommage.
9. Lorsque tout le travail de plomberie est terminé, chercher les fuites et prendre une action corrective avant d'aller plus loin.

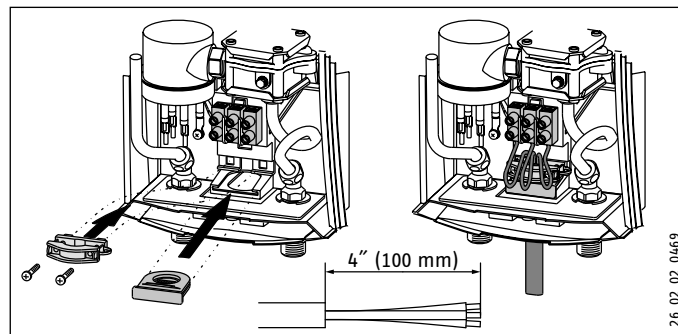
### 7. Raccordement électrique



#### DANGER: Électrocution

Avant de commencer toute opération sur l'installation électrique, s'assurer que l'interrupteur du disjoncteur principal est en position «arrêt» pour éviter tout risque d'électrocution. Toutes opérations de montage et de plomberie doivent être terminées avant de procéder à l'assemblage électrique. Si les normes électriques locales ou nationales l'exigent, le circuit doit être équipé d'un «interrupteur de terre».

1. Toutes les opérations électriques doivent répondre aux normes électriques nationales et locales applicables.
2. Le DHC doit être relié à un circuit de branchement dédié, correctement mis à la terre et d'une tension adéquate. Dans les installations ayant plusieurs DHC, chaque unité a besoin d'un circuit indépendant. Se référer au tableau de caractéristiques techniques pour la bonne taille des câbles et du coupe-circuit.
3. Le câble doit être alimenté à travers le joint de caoutchouc situé entre les branchements de l'eau chaude et de l'eau froide. Ensuite, faire passer le câble à travers le collier de serrage et resserrer le collier sur le câble. Les extrémités dénudées des câbles doivent être insérées dans les fentes sur le bloc terminal marqué N et L (pour le DHC 3-1 seulement) ou L et L (pour toutes les autres versions). Le conducteur de terre doit être inséré dans la fente identifiée par le symbole de la terre.
4. Réinstaller le cache en plastique.



#### DANGER: Électrocution

Comme avec n'importe quel appareil électrique, l'absence de mise à la terre peut entraîner la mort.

#### 7.1 Bloc de câblage

Consultez le tableau ci-dessous pour connaître la pression de serrage recommandée pour les vis de la plaque à bornes.

Diamètre de vis (mm)	Torque (N•cm)	Torque (Lbf•in)
M5	150-200	13.3-17.7

Utiliser la pression de serrage appropriée pour fixer les fils au bloc de câblage contribue à prévenir la perte de biens personnels et les dommages à la propriété.

#### 8. Mise en œuvre du chauffe-eau

**ATTENTION:**

Ouvrir le robinet d'eau chaude quelques minutes avant que le débit d'eau soit continu et que tout l'air soit purgé des canalisations d'eau. Le cache en plastique de l'appareil doit être installé avant que le disjoncteur soit mis en position de marche.

1. Mettre le disjoncteur en position de "marche" pour amener l'électricité à l'appareil.
2. Ouvrir le robinet d'eau chaude à un degré tel que l'écoulement d'eau soit "typique" c'est-à-dire avant que l'écoulement d'eau soit le même que celui qu'on rencontre en utilisation normale.
3. Attendre vingt secondes jusqu'à ce que la température soit stabilisée. Ensuite, vérifier la température de l'eau. Si la température est trop basse, le débit d'eau doit être réduit. Pour ce faire, fermer le disjoncteur de l'appareil, enlever le cache et tourner la vis de réglage de débit, montrée dans l'illustration, d'un 1/2 tour (à 180 degrés) dans le sens horaire. Ensuite, réinstaller le cache en plastique, remettre le disjoncteur en position "marche" et vérifier la température de l'eau. Cette procédure doit être répétée jusqu'à ce que la température désirée soit atteinte. Au cas où la température de l'eau est trop élevée, tourner de la même manière la vis de réglage de débit dans le sens antihoraire jusqu'à ce que la température désirée soit atteinte. Les flèches dans l'illustration se réfèrent à la température de l'eau.
4. Afin d'obtenir le contrôle de la température sur un robinet unique de type mitigeur, limiter le débit d'eau froide au robinet en fermant partiellement la vanne de fermeture d'eau froide sous l'évier jusqu'à ce que les débits d'eau froide et d'eau chaude soient approximativement les mêmes.

### 9. Dépannage

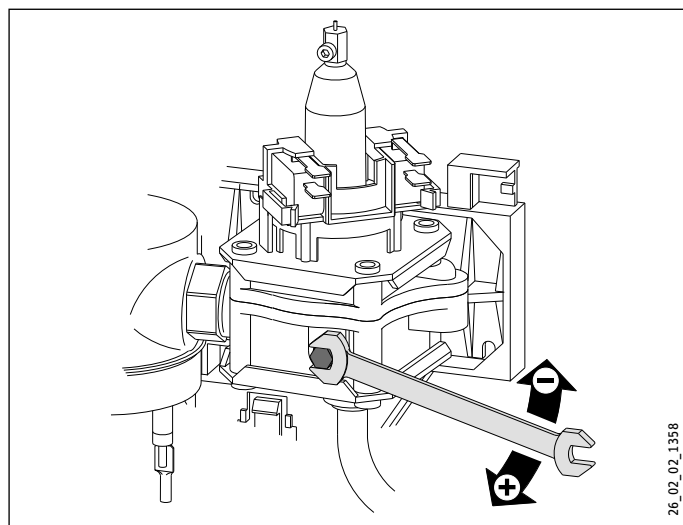
Symptôme	Causse possible	Solution
Pas d'eau chaude mais on entend un cliquetis quand l'eau est ouverte.	Disjoncteur fermé	Mettre le disjoncteur en marche.
	Le disjoncteur de sécurité s'est déclenché	Réarmer le disjoncteur.
Pas d'eau chaude et on n'entend pas de cliquetis quand l'eau est ouverte	Le chauffe-eau peut être trop petit	Voir section 11.3, «Élévation de température au delà de la température ambiante de l'eau», pg. 21
	L'écoulement d'eau est trop bas pour activer le commutateur de débit	Nettoyer l'évent du robinet.
L'eau n'est pas assez chaude		Ouvrir complètement la vanne de fermeture.
		Ouvrir la vis de réglage de débit.
		Nettoyer le filtre sur l'appareil DHC.
	Écoulement d'eau trop haut	Réduire l'écoulement d'eau, fermer la vis de réglage de l'écoulement.
	Tension trop basse	Fournir la tension correcte à l'appareil.

Si vous n'arrivez pas à résoudre un problème, contacter nous en appelant le numéro gratuit 800-582-8423 avant d'enlever l'appareil du mur. STIEBEL ELTRON est heureuse de vous fournir son assistance technique. Dans la plupart des cas, il s'agit d'un problème que nous pouvons résoudre par téléphone.

#### Réglage du débit

Pour abaisser la température de l'eau ou augmenter le débit d'eau, ouvrez la vis de réglage du débit en tournant dans le sens antihoraire (-). Cela diminue la température de l'eau en augmentant le volume d'eau.

Pour augmenter la température de l'eau ou réduire le débit d'eau, fermez la vis de réglage du débit en tournant dans le sens des aiguilles d'une montre (+). Cela augmente la température de l'eau en diminuant le volume d'eau.

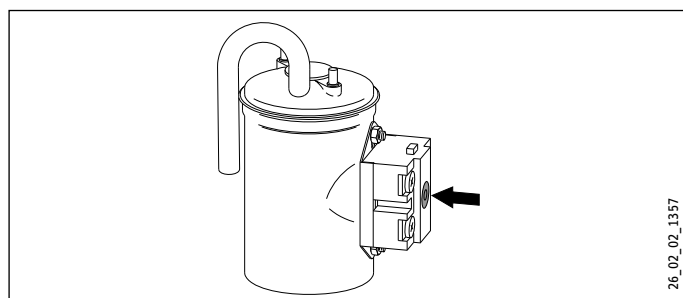


#### Bouton de réarmement du disjoncteur de sécurité



**DANGER: Électrocution**

N'essayez pas de réinitialiser l'interrupteur thermique de sécurité de ce chauffe-eau à moins que l'alimentation ait été complètement coupée au disjoncteur.



# INSTALLATION

## MAINTENANCE NORMALE

### 10. Maintenance normale

Les chauffe-eau DHC de STIEBEL ELTRON sont conçus pour une très longue durée de vie. La durée de vie réelle escomptée va varier avec la qualité et l'utilisation de l'eau. L'appareil lui-même ne nécessite pas de maintenance régulière. Cependant, pour assurer un écoulement d'eau homogène, il est recommandé d'enlever périodiquement les dépôts et saletés qui peuvent se constituer sur l'évent du robinet ou dans la pomme de douche. Le DHC a aussi un écran de filtrage intégré qui doit être nettoyé de temps en temps. Pour ce faire, fermer l'alimentation d'eau froide à la vanne d'isolation et enlever le conducteur de mise à la terre. Tourner le tube d'alimentation d'eau froide dans le sens antihoraire à 90° et tirer vers le fond de l'appareil. Nettoyer le filtre et remettre dans leur position d'origine le filtre, le tube d'alimentation d'eau froide et le conducteur de mise à la terre. S'assurer que le conducteur de mise à la terre est réinstallé et que la vis de mise à la terre est bien serrée après cette procédure.

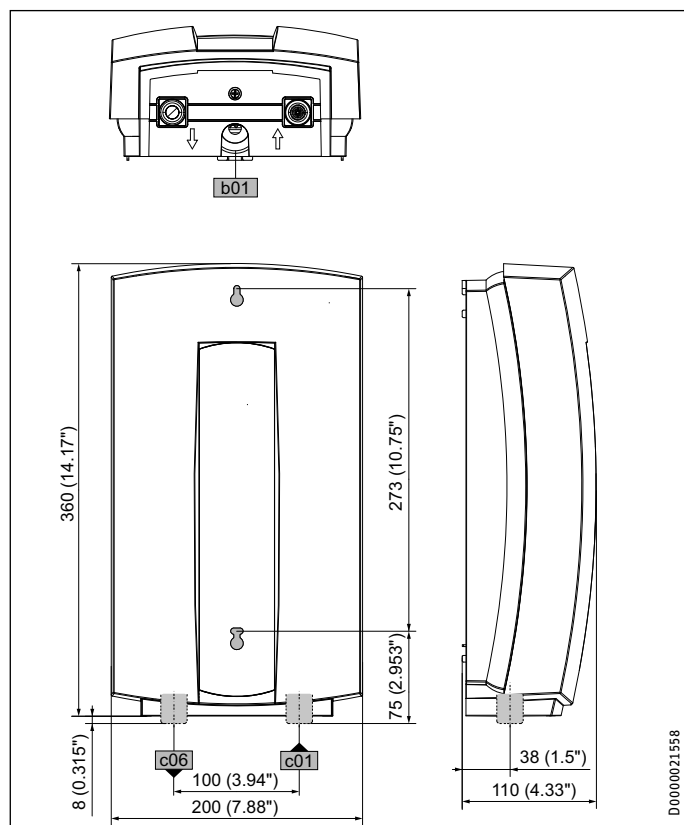


#### Remarque:

Mis à part le filtre, le DHC ne contient aucune pièce nécessitant un entretien particulier. En cas de mauvais fonctionnement, contacter un plombier ou un électricien professionnel.

### 11. Caractéristiques techniques

#### 11.1 Plan de cotes



b01	Câble d'alimentation secteur	
c01	Raccord d'eau froide	1/2" NPT
c06	Raccord d'eau chaude sanitaire	1/2" NPT

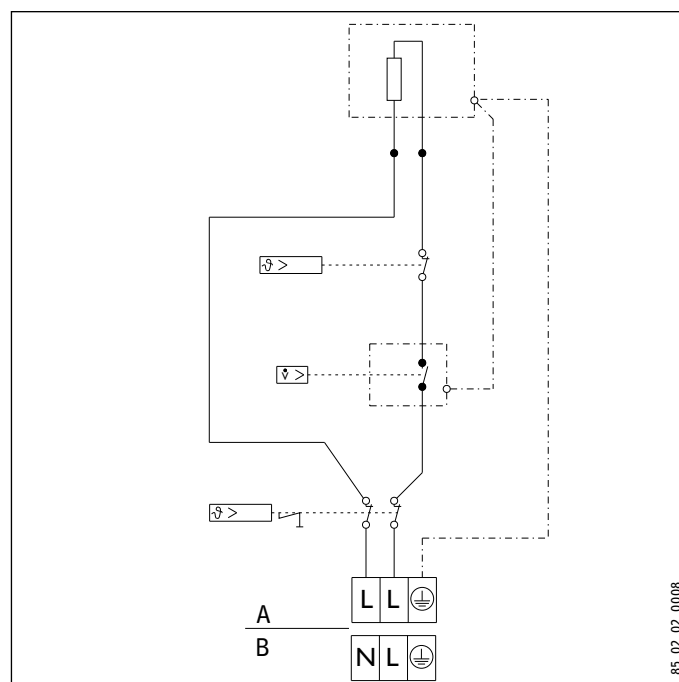
### 11.2 Schéma de câblage

DHC 3-2, DHC 4-2, DHC 5-2

A 2/GND ~ 208 / 240V

DHC 4-3

B 1/N/GND ~ 277V



85\_02\_02\_0008

DHC 6-2, DHC 8-2, DHC 10-2

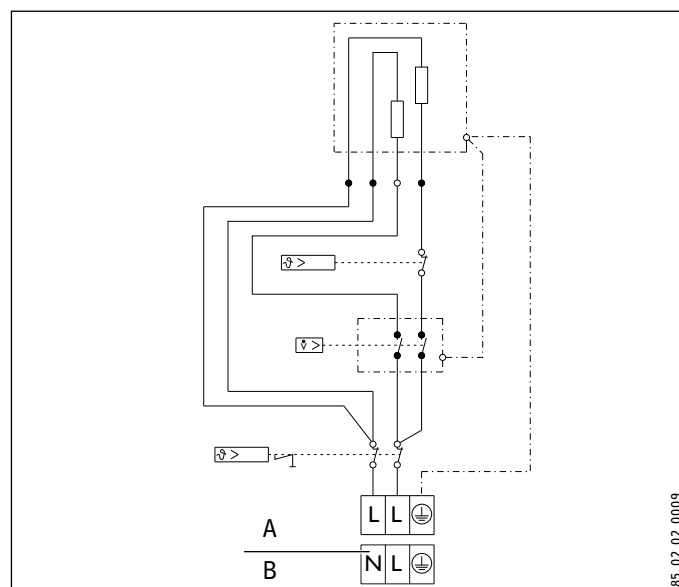
A 2/GND ~ 208 / 240V

DHC 9-3

B 1/N/GND ~ 277V

DHC 3-1

B 1/N/GND ~ 120V



85\_02\_02\_0009

# INSTALLATION

## CARACTÉRISTIQUES TECHNIQUES

### 11.3 Élévation de température au delà de la température ambiante de l'eau

Type	kW	[ °F ]									
		GPM ( gallons par minute )									
		0.32	0.42	0.48	0.5	0.69	0.75	0.79	1.0	1.5	2.0
DHC 3-1	3.0	65	49	43	41	30	27	26	20	14	10
DHC 3-2	2.5	54	40	35	34	25	23	21	17	11	9
	3.3	71	53	47	45	33	30	28	22	15	11
DHC 4-2	2.9	-	47	41	40	29	26	25	20	13	10
	3.8	-	61	54	52	38	35	33	26	17	13
DHC 4-3	4.5	-	73	64	61	45	41	39	31	20	15
DHC 5-2	3.6	-	58	51	49	36	33	31	25	16	12
	4.8	-	77	68	65	48	44	41	33	22	16
DHC 6-2	4.5	-	-	64	61	45	41	39	31	20	15
	6.0	-	-	85	82	60	55	52	41	27	20
DHC 8-2	5.4	-	-	-	-	54	49	46	37	25	18
	7.2	-	-	-	-	71	65	62	49	33	25
DHC 9-3	9.0	-	-	-	-	-	-	77	58	41	31
DHC 10-2	7.2	-	-	-	-	-	-	62	49	33	25
	9.6	-	-	-	-	-	-	82	65	44	33

Débit d'eau minimum pour activer l'appareil

Type	kW	[ °C ]								
		l/min								
		1.2	1.6	1.8	2.0	2.6	3.0	4.0	5.0	7.5
DHC 3-1	3.0	36	27	24	22	17	14	11	9	6
DHC 3-2	2.5	30	22	20	18	14	12	9	7	5
	3.3	39	30	26	24	18	16	12	9	6
DHC 4-2	2.9	-	26	23	21	16	14	10	8	6
	3.8	-	34	30	27	21	18	14	11	7
DHC 4-3	4.5	-	40	36	32	25	22	16	13	9
DHC 5-2	3.6	-	32	29	26	20	17	13	10	7
	4.8	-	43	38	34	26	23	17	14	9
DHC 6-2	4.5	-	-	36	32	25	22	16	13	9
	6.0	-	-	48	43	33	29	22	17	11
DHC 8-2	5.4	-	-	-	-	30	26	19	15	10
	7.2	-	-	-	-	40	34	26	21	14
DHC 9-3	9.0	-	-	-	-	-	43	32	26	17
DHC 10-2	7.2	-	-	-	-	-	34	26	21	14
	9.6	-	-	-	-	-	46	34	28	18

Débit d'eau minimum pour activer l'appareil

# INSTALLATION

## CARACTÉRISTIQUES TECHNIQUES

### 11.4 Tableau de données

	DHC 3-1	DHC 3-2	DHC 4-2	DHC 4-3	DHC 5-2	DHC 6-2	DHC 8-2	DHC 9-3	DHC 10-2
	074050	074052	074053	074051	074054	074424	074055	232204	074056
<b>Données électriques</b>									
Voltage	120 V	208 V 240 V	208 V 240 V	277 V	208 V 240 V	208 V 240 V	208 V 240 V	277 V	208 V 240 V
Puissance	3.0 kW	2.5 kW 3.3 kW	2.9 kW 3.8 kW	4.5 kW	3.6 kW 4.8 kW	4.5 kW 6.0 kW	5.4 kW 7.2 kW	9 kW	7.2 kW 9.6 kW
Intensité	25 A	12 A 14 A	14 A 16 A	17 A	18 A 20 A	22 A 25 A	26 A 30 A	32.5 A	35 A 40 A
Taille minimale nécessaire du disjoncteur <sup>1</sup>	25 A	15 A 15 A	15 A 20 A	20 A	20 A 20 A	25 A 25 A	30 A 30 A	35 A	35 A 40 A
Sect. de conducteur recommandée <sup>2</sup>	10 AWG	14 AWG	14 AWG 12 AWG	12 AWG	12 AWG	10 AWG	10 AWG	8 AWG	8 AWG
Raccord électrique	1/N/GND	2/GND	2/GND	1/N/GND	2/GND	2/GND	2/GND	1/N/GND	2/GND
<b>Raccordements</b>									
Raccord hydraulique <sup>3</sup>	1/2" NPT								
Total des métaux alcalino-terreux	2.5 mol/m <sup>3</sup>								
Dureté de l'eau (H <sub>2</sub> O)	14 Degré d								
Niveau de dureté	2 (dureté moyenne)								
<b>Données hydrauliques</b>									
Capacité nominale	0.5 l								
Capacité nominale	0.13 gal								
<b>Valeurs</b>									
Température d'arrivée max. admissible	86 °F / 30°C								
Marche	1.2 l/min	1.2 l/min	1.6 l/min	1.6 l/min	1.6 l/min	1.8 l/min	2.6 l/min	3.0 l/min	3.0 l/min
Marche	0.32 GPM	0.32 GPM	0.43 GPM	0.43 GPM	0.43 GPM	0.48 GPM	0.69 GPM	0.8 GPM	0.8 GPM
Pertes de charge avec débit volumétrique	0.023 MPa	0.023 MPa	0.023 MPa	0.023 MPa	0.023 MPa	0.023 MPa	0.025 MPa	0.03 MPa	0.03 MPa
Pertes de charge avec débit volumétrique	2.88 PSI	2.88 PSI	2.88 PSI	2.88 PSI	2.88 PSI	2.88 PSI	3.13 PSI	3.75 PSI	3.75 PSI
Débit volumétrique pour pertes de pression	1.2 l/min	1.2 l/min	1.6 l/min	1.6 l/min	1.6 l/min	1.8 l/min	2.6 l/min	3.0 l/min	3.0 l/min
Débit volumétrique pour pertes de pression	0.32 GPM	0.32 GPM	0.43 GPM	0.43 GPM	0.43 GPM	0.48 GPM	0.69 GPM	0.8 GPM	0.8 GPM
Volume eau chaude sanitaire disponible	1.2 l/min	1.2 l/min	1.6 l/min	1.6 l/min	1.6 l/min	1.8 l/min	2.6 l/min	3.0 l/min	3.0 l/min
Volume eau chaude sanitaire disponible	0.32 GPM	0.32 GPM	0.43 GPM	0.43 GPM	0.43 GPM	0.48 GPM	0.69 GPM	0.8 GPM	0.8 GPM
<b>Limites d'utilisation</b>									
Pression maxi. admissible	1 MPa								
Pression maxi. admissible	150 PSI								
Pression d'essai	2 MPa								
Pression d'essai	300 PSI								
<b>Fabrication</b>									
Indice de protection (IP)	IP25								
Matériau du réservoir à pression	cuivre								
Système de chauffage	Corps de chauffe tubulaire								
Cache et panneau arrière	plastique								
Couleur	blanc								
<b>Dimensions et Poids</b>									
Hauteur	14.17 in / 360 mm								
Largeur	7.88 in / 200 mm								
Profondeur	4.33 in / 100 mm								
Poids	2.1 kg								
Poids	4.6 lb								

Modèles DHC 3-1, 3-2, 4-2 navire avec une pression de 1,9 l/min (0,5 gpm) compensant flux réducteur/aérateur qui doit être installé.

<sup>1</sup> Ceci est notre recommandation pour la protection de surintensité à 100% de la charge. (2P pour 240/208/277V & 1P pour 120 V modèles). Vérifiez les codes locaux de la conformité si nécessaire. Les chauffe-eau sans réservoir sont considérés comme une charge non continue.

<sup>2</sup> Le cuivre doit être utilisé. Les conducteurs doivent être choisis pour maintenir une baisse de tension inférieure à 3% sous tension.

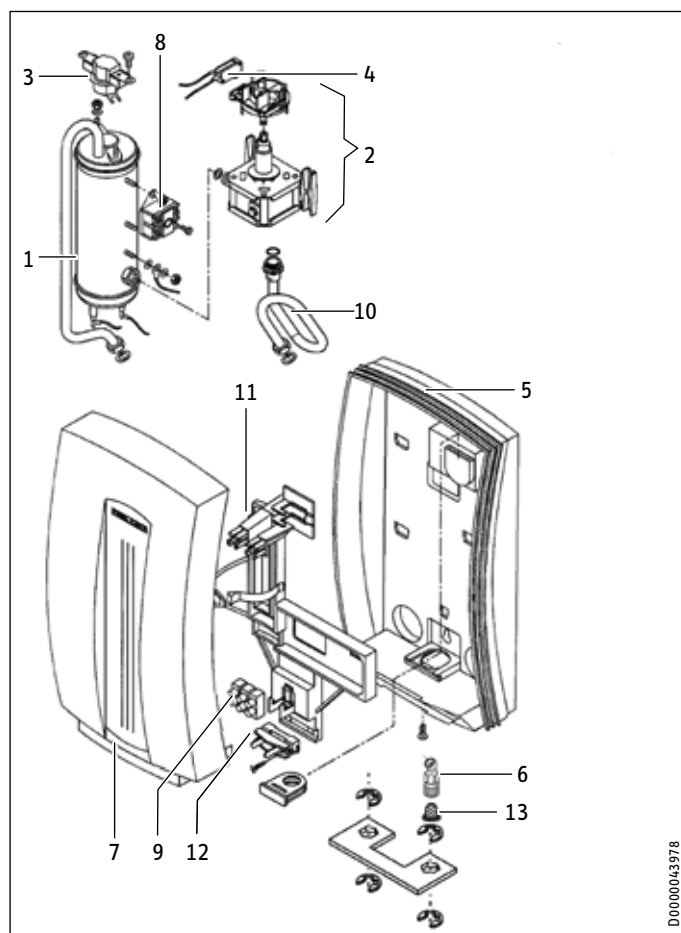
<sup>3</sup> Convenant pour l'alimentation en eau froide

# INSTALLATION

## PIÈCES DE RECHANGE

### 12. Pièces de rechange

N°	de pièce de rechange	DHC 3-1	DHC 3-2	DHC 4-2	DHC 4-3	DHC 5-2	DHC 6-2	DHC 8-2	DHC 9-3	DHC 10-2
1	Système de chauffage	165889	167769	167770	165890	167771	171117	167772	296874	167773
2	Commutateur de débit	165273	165273	162162	162162	162162	171105	162164	162465	162165
3	Thermostat	162472	162472	162472	162472	162472	162472	162472	162472	162472
4	Commutateur	168026	168026	168026	168026	168026	168026	168026	168026	168026
5	Cartier (arrière)	165891	165891	165891	165891	165891	165891	165891	165891	165891
6	Branchement de plomberie	170789	170789	170789	170789	170789	170789	170789	170789	170789
7	Cartier (avant)	165892	165892	165892	165892	165892	165892	165892	165892	165892
8	Disjoncteur thermique de sécurité	162474	162474	162474	162474	162474	162474	162474	162474	162474
9	Bloc de câblage	026010	026010	026010	026010	026010	026010	026010	026010	026010
10	Tube de cuivre	162314	162314	162314	162314	162314	162314	162314	162314	162314
11	Châssis du module	162462	162462	162462	162462	162462	162462	162462	162462	162462
12	Collier de serrage	055754	055754	055754	055754	055754	055754	055754	055754	055754
13	Filtre	275981	275981	275981	275981	275981	275981	275981	275981	275981



## 13. Garantie

Sous réserve du respect des termes et conditions définis dans la présente garantie à vie limitée, Stiebel Eltron, Inc. (ci-après, le « Fabricant ») garantit à l'acheteur d'origine (ci-après le « Propriétaire ») que tous les chauffe-eau électrique sans réservoir (ci-après, le « Chauffe-eau ») ne doit pas (i) des fuites dues à des défauts de matériaux ou de fabricant de fabrication pendant une période de sept (7) ans à compter de la date d'achat ou (ii) l'échec en raison de défauts dans les matériaux ou de fabrication du fabricant pour une période de trois (3) ans à compter de la date d'achat. Le seul et unique recours du propriétaire dans le cadre de la garantie susmentionnée sera pour le Propriétaire de soit réparer en usine, soit remplacer le Chauffe-eau défectueux (à la discrétion du fabricant) avec soit un appareil de rechange, soit une ou des pièces ayant les mêmes caractéristiques d'exploitation. La responsabilité financière maximale du Fabricant ne pourra en aucun cas aller au-delà du prix d'achat du le Chauffe-eau.

Cette garantie limitée représente la seule garantie accordée par le fabricant et annule toute les autres garanties, orales ou écrites, expresse ou implicites, y compris, mais sans y être limitées les garanties de qualité marchande ou d'aptitude à un usage particulier. Le fabricant rejette toute responsabilité pour les dommages ou frais indirects, consécutifs ou autres résultant directement ou indirectement de tout vice présent dans le chauffe-eau ou survenu lors de l'usage du Chauffe-eau. Le fabricant rejette toute responsabilité pour tout dégât des eaux ou tout autre dégât matériel encouru par le propriétaire, résultant directement ou indirectement de tout vice présent dans le Chauffe-eau ou survenu lors de l'usage du Chauffe-eau. Seul le Fabricant est autorisé à énoncer les garanties au nom du Fabricant et aucune déclaration, garantie ou autre document énoncé par une tierce partie ne saurait engager la responsabilité du Fabricant.

Le Fabricant rejette toute responsabilité pour tout dommage causé par ou en relation avec :

1. toute mauvaise utilisation ou négligence du chauffe-eau, tout accident subi par le chauffe-eau, toute modification du chauffe-eau ou tout autre usage non prévu,
2. les calamités naturelles ou toute autre circonstance sur laquelle le fabricant n'a aucun contrôle,
3. l'installation du chauffe-eau autre que conformément aux directives du fabricant et autre que conformément

- aux codes de la construction en vigueur,
4. le non-respect des procédures d'entretien du chauffe-eau ou l'utilisation du chauffe-eau non conformes aux directives du fabricant,
5. l'utilisation du chauffe-eau avec une pression d'eau irrégulière ou dans le cas où le chauffe-eau serait alimenté en eau non potable pour toute durée que ce soit,
6. une installation incorrecte ou l'utilisation de matériaux incorrects par un installateur et sans relation avec les vices de fabrication ou de matériel du fabricant,
7. déplacer le Chauffe-eau de son lieu d'installation d'origine;
8. l'exposition au gel,
9. problèmes de qualité de l'eau comme l'eau corrosive, l'eau dure et de l'eau contaminée par des polluants ou des additifs,

Si le Propriétaire désire renvoyer le Chauffe-eau au Fabricant pour qu'il soit réparé ou remplacé dans le cadre de cette Garantie, le Propriétaire doit d'abord obtenir l'autorisation écrite du Fabricant. Le Propriétaire doit apporter la preuve d'achat, y compris la date d'achat, et sera responsable de tous les frais de transport et de dépose. Si le Propriétaire ne peut pas apporter la preuve de la date d'achat, cette Garantie sera limitée à la période commençant à la date de fabrication estampée sur le Chauffe-eau. Le Fabricant se réserve le droit de rejeter toute couverture de la Garantie à la suite d'une inspection du Chauffe-eau par le Fabricant. Cette Garantie ne s'applique qu'au propriétaire et ne peut pas être transférée.

Certains États et Provinces n'autorisent pas l'exclusion ou la limitation de certaines garanties. Dans ce cas, les limites ci-mentionnées peuvent ne pas s'appliquer au propriétaire. Dans ce cas, la Garantie sera limitée à la période la plus courte et aux dommages et intérêts les plus faibles autorisés par la loi. Cette garantie vous octroie des droits légaux spécifiques. Il est toutefois possible que vous ayez d'autres droits en fonction de votre juridiction.

Le Propriétaire sera responsable de tous les frais de main-d'œuvre et autres encourus lors de la dépose ou de la réparation du Chauffe-eau sur le chantier. Veuillez également noter que le Chauffe-eau doit être installé de sorte qu'en cas de fuite, l'eau qui s'écoule doit couler de façon à ne pas endommager l'endroit où il est installé.

## Environnement et recyclage

Veuillez nous aider à protéger l'environnement en mettant les matériaux d'emballage au rebut conformément aux règlements nationaux relatifs au traitement des déchets.

Cette garantie n'est valide que pour le Canada et les États-Unis. Les garanties varient en fonction du pays. Veuillez vous adresser à votre représentant local Stiebel Eltron pour plus de détails sur la garantie s'appliquant à votre pays.



**L'installation, le branchement électrique et la première mise en route de cet appareil doivent être exécutés par un prestataire qualifié.**



**La société rejette toute responsabilité pour toute défaillance du produit livré qui n'aurait pas été installé et mis en route conformément aux directives du fabricant.**



**OPERACIÓN**

<b>1. Indicaciones generales</b>	<b>2</b>
1.1 Indicaciones para el cableado:	2
1.2 Otras marcas presentes en este documento	3
<b>2. Seguridad</b>	<b>3</b>
2.1 Uso previsto	3
2.2 Información general	3
2.3 Medidas de seguridad	3
2.4 Sello de certificación	3
<b>3. Registre su producto</b>	<b>4</b>
<b>4. Recomendaciones generales</b>	<b>4</b>

**INSTALACIÓN**

<b>5. Instalación física</b>	<b>4</b>
<b>6. Conexión de agua</b>	<b>5</b>
<b>7. Conexión eléctrica</b>	<b>5</b>
7.1 Bloque de terminales	6
<b>8. Operación de la unidad</b>	<b>6</b>
<b>9. Resolución de incidencias (troubleshooting)</b>	<b>7</b>
<b>10. Mantenimiento</b>	<b>8</b>
<b>11. Datos técnicos</b>	<b>8</b>
11.1 Plano dimensional	8
11.2 Diagrama eléctrico	8
11.3 Aumento de temperatura del agua	9
11.4 Tabla de especificaciones	10
<b>12. Piezas de recambio</b>	<b>11</b>
<b>13. Garantía</b>	<b>12</b>

# OPERACIÓN

## 1. Indicaciones generales



**Indicación:**

Lea atentamente estas instrucciones antes de utilizar el aparato y familiarícese con sus funciones. Conserve este manual en un lugar seguro. Si entregara este aparato a otros usuarios no olvide incluir el manual.

### 1.1 Indicaciones para el cableado:

#### 1.1.1 Estructura de las indicaciones de seguridad

**ADVERTENCIA: De tipo de peligro**  
Aquí aparecen las posibles consecuencias del desobedecimiento de las indicaciones de seguridad.  
▶ Se indican las medidas necesarias para evitar estos peligros.

#### 1.1.2 Símbolos, tipo de peligro

Símbolo	Tipo de peligro
	Lesión
	Electrocución
	Quemadura o escaldamiento

#### 1.1.3 Palabras clave

PALABRA CLAVE	Descripción
PELIGRO	El desobedecimiento de esta información conlleva graves lesiones o la muerte
ADVERTENCIA	El desobedecimiento de esta información puede conllevar graves lesiones o la muerte
ATENCIÓN	El desobedecimiento de esta información puede conllevar lesiones de mediana gravedad o lesiones leves

## 1.2 Otras marcas presentes en este documento



### Indicación:

La indicación está limitada por líneas horizontales sobre y bajo el texto. La información general se señala mediante el símbolo que se muestra a la izquierda.

► Lea atentamente las indicaciones.

Símbolo	
	Daños en el aparato y al medio ambiente
	Eliminación del aparato

► Este símbolo indica que debe usted hacer algo. Lo que debe hacer se describe en pasos individuales.

## 2. Seguridad

Observe las siguientes indicaciones y normas de seguridad.

El equipo sólo debe utilizarse después de haber sido instalado completamente y con todos los dispositivos de seguridad.

### 2.1 Uso previsto

El aparato está previsto para el calentamiento del agua potable y puede abastecer un punto de extracción.

El uso fuera de las especificaciones descritas se considera indebido.

Además, el obedecimiento de las presentes instrucciones forma parte del uso previsto de este aparato.

### 2.2 Información general

El aparato está previsto para utilizarse en un ámbito doméstico. Personas no instruidas lo pueden manejar de forma segura. El aparato puede utilizarse igualmente en ámbitos que no sean domésticos, como en pequeñas empresas, siempre que se maneje del mismo modo.

Lea el manual íntegramente. El desobedecimiento de las normas, instrucciones y reglamentos puede causar lesiones físicas a personas y/o daños materiales. La instalación, ajuste, modificación y mantenimiento incorrectos del presente aparato puede conducir a lesiones físicas considerables.

Este aparato debe ser instalado por un técnico autorizado. La instalación debe cumplir toda la normativa nacional, regional y local. El técnico especializado es responsable de la correcta instalación. El desobedecimiento de las instrucciones de instalación y operación o el uso indebido conducen a la anulación de la garantía.

Guarde el presente manual para futuras consultas. El técnico especializado debe entregar este manual al usuario.

En caso de cualquier consulta relativa a la instalación, uso u operación del presente calentador o, si fuera preciso en relación a cualquier otro manual de instalación, diríjase al teléfono de servicio técnico (véase última página).

## 2.3 Medidas de seguridad



### ADVERTENCIA: Peligro de lesiones

Lea y obedezca las siguientes instrucciones.

El desobedecimiento de esta información puede conllevar graves lesiones o la muerte.



### Daños en el aparato y al medio ambiente:

Este aparato debe ser instalado por un técnico autorizado. La instalación debe cumplir toda la normativa nacional, regional y local.

El mantenimiento del aparato debe ser realizado por técnicos autorizados.



### PELIGRO: Electrocuación

Antes de llevar a cabo cualquier tarea de instalación, ajuste, modificación o mantenimiento de este aparato deben desconectarse todos los interruptores de potencia y seccionadores de alimentación eléctrica del aparato. El desobedecimiento de estas indicaciones puede conllevar graves lesiones o la muerte.



### PELIGRO: Electrocuación

El aparato debe conectarse a tierra adecuadamente.

Si no se conecta a tierra el producto pueden producirse graves lesiones físicas o incluso la muerte.



### PELIGRO: Quemaduras

Las temperaturas del agua que superen los 125 °F (52 °C) pueden causar quemaduras graves repentinas o incluso la muerte por escaldamiento. El peligro de escaldamiento con agua caliente existe si el termostato del aparato presenta un ajuste demasiado alto. En hogares con niños pequeños, personas discapacitadas o personas mayores puede ser necesario ajustar el termostato a 113 °F (45 °C) o menos para evitar lesiones físicas por agua caliente.



### ADVERTENCIA: Peligro de lesiones

El aparato puede ser utilizado por niños a partir de 8 años, así como personas con capacidades físicas, sensoriales o mentales limitadas, o con falta de experiencia y conocimientos, solo bajo la vigilancia de otra persona o si antes han recibido instrucciones sobre el uso seguro del aparato y han comprendido los peligros que pueden derivarse. No deje que los niños jueguen con el aparato. Las tareas de limpieza y mantenimiento propias del usuario no deben ser realizadas por niños sin vigilancia.

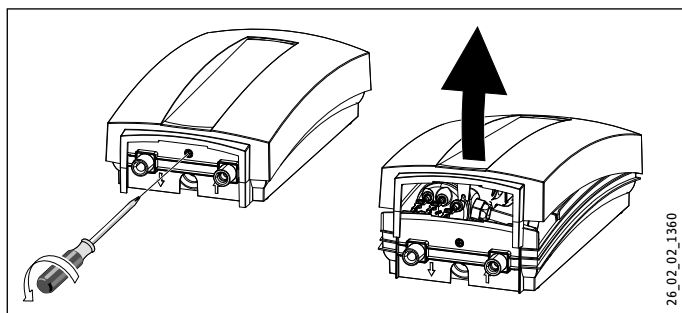
## 2.4 Sello de certificación

Consulte la placa de especificaciones del aparato.



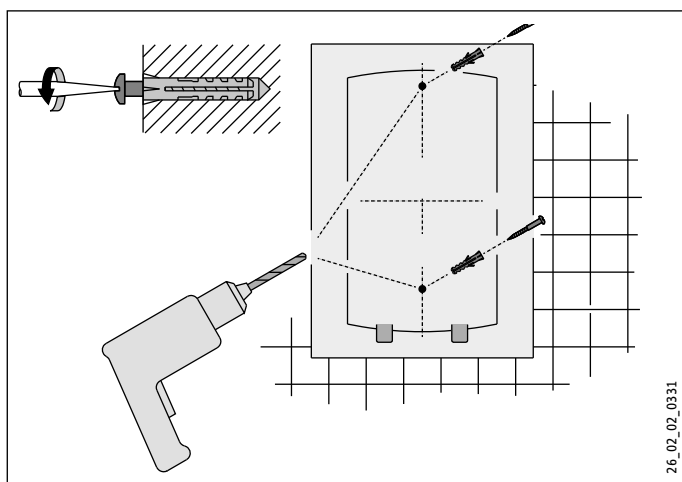
# INSTALACIÓN

## CONEXIÓN DE AGUA

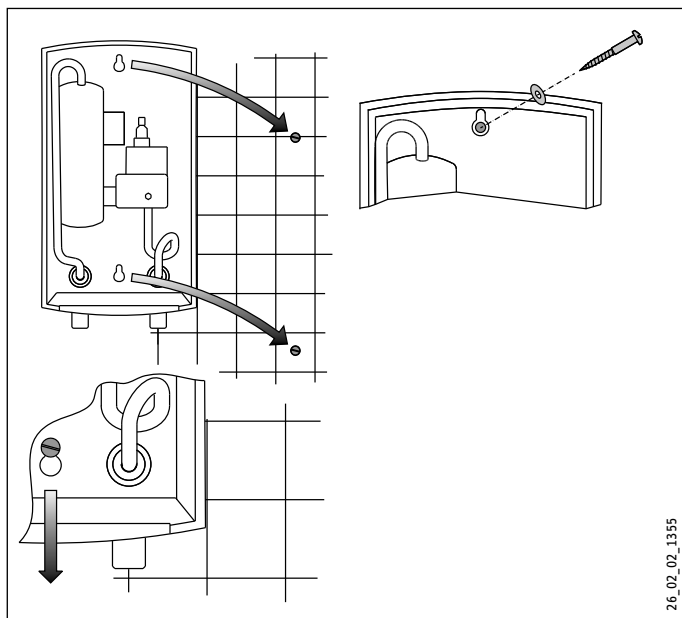


26\_02\_02\_1360

5. Conexión de agua de suministro (entrada) es al lado derecho de la unidad. La conexión de agua caliente (salida) debe ser al lado izquierdo de la unidad.



26\_02\_02\_0331



26\_02\_02\_1355

## 6. Conexión de agua

1. Todo trabajo de plomería debe cumplir con los códigos de plomería. Nacional y/o Local.
2. Una válvula reductora de presión debe ser instalada si la línea de suministro de agua excede una presión de 150 psi (10 bar).
3. Asegúrese de dejar correr el agua por la línea de suministro antes de cualquier conexión para eliminar cualquier depósito o sucio en la misma.
4. Instalar válvula de servicio en línea de suministro de agua. Esto permite aislar la unidad para propósitos de mantenimiento.
5. Conexión de agua de suministro (entrada) es al lado derecho de la unidad. La conexión de agua caliente (salida) debe ser al lado izquierdo de la unidad.



**Nota:**

**Calor excesivo de las soldaduras en las líneas de cobre puede causar daños al calentador.**

6. El calentador de agua DHC Classic no requiere una válvula de alivio por presión y temperatura (PTRV). Si el inspector la requiere se debe instalarla después de la salida de agua caliente de la unidad.
7. La salida de agua caliente del DHC Classic está diseñada para conectarse a tubos de cobre, tubos PEX o una manguera de acero inoxidable trenzada con una rosca cónica hembra de 1/2 pulg. NPT.
8. La conexión de agua fría a la unidad esta sujeta a ser desconectada periódicamente par poder limpiar el pequeño filtro / malla que se encuentra adentro de la misma. Sugerimos utilizar conexiones, uniones de tope y mangueras flexibles, resistentes al agua caliente, que permitan hacer tal servicio de mantenimiento preventivo. Si es necesario realizar cualquier trabajo de soldadura cerca de la unidad dirija la llama apartándola de la carcasa de la unidad para evitar que se produzcan daños.
9. Una vez realizados todos los trabajos de fontanería, revise la instalación para comprobar si existen fugas y tome medidas correctivas antes de comenzar a utilizar la unidad.

### 7. Conexión eléctrica



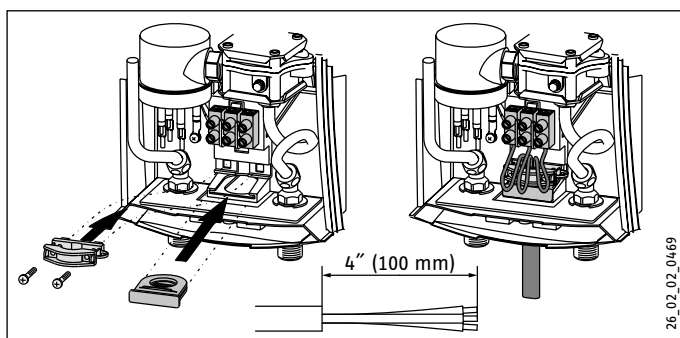
**PELIGRO: Electrocutación**

Antes de comenzar la instalación eléctrica asegúrese de que el interruptor termomagnético principal del panel eléctrico este apagado para evitar posible descarga eléctrica.

**NOTA:**

Toda instalación eléctrica y de plomería debe completarse antes de encender el interruptor termomagnético principal. El circuito debe ser equipado con un interruptor de conexión a tierra („ground fault interrupter“) cuando sea requerido por el código eléctrico nacional y/o local.

1. Todo trabajo eléctrico debe cumplir con las disposiciones del Colegio de Peritos Electricistas y Códigos Nacionales y/o Locales.
2. La unidad DHC Classic debe tener su circuito independiente utilizando tres alambres de cobre de tamaño apropiado y protegido por un interruptor termomagnético (breaker) correctamente seleccionado. Para instalar varias unidades DHC se requiere un circuito independiente para cada una.
3. La cablearía debe entrar a la unidad a través del sello de goma localizado en la parte inferior de la misma entre las conexiones de agua fría y caliente. Alimente los cables a través de la abrazadera localizada dentro de la unidad y ajuste esta firmemente contra los cables. Los cables vivos deben ser conectados en los terminales N y L para los modelos DHC 3-1 Classic. El DHC 3-2 Classic y en todos los demás modelos los cables vivos deben ser conectadas en los terminales L y L (Favor ver diagramas eléctrico).
4. Reinstalar cubierta plástica. El cable de conexión a tierra „ground“ debe ser conectado al terminal marcado con el símbolo de tierra.



**PELIGRO: Electrocutación**

Como cualquier otro aparato eléctrico el no conectarlo a tierra puede resultar en una descarga eléctrica, grave lesión y/o incluso ocasionar muerte.

#### 7.1 Bloque de terminales

Consulte el siguiente diagrama para ver el nivel recomendado de torsión en los tornillos del bloque de terminales.

Diámetro del cable (mm)	Torsión (N•cm)	Torsión (Lbf•in)
M5	150-200	13.3-17.7

Usar las especificaciones de torsión adecuadas para fijar el cable al bloque de cableado ayuda a evitar pérdidas personales o daños a la propiedad.

### 8. Operación de la unidad



**ADVERTENCIA:**

Abra la llave de agua caliente por varios minutos hasta que el flujo de agua sea continuo y todo el aire haya salido de la tubería. La cobertura plástica de la unidad debe ser instalada antes de encender el „breaker“ del circuito.

1. Encender el „breaker“ del circuito para proveer corriente a la unidad. Abrir la llave de agua caliente a un punto típico, o sea, hasta que el flujo de agua sea igual al de uso normal. Espere 60 segundos hasta que la temperatura se estabilice.
2. Probar temperatura del agua, si la temperatura es muy baja, el flujo de agua debe ser reducido. Para reducir el flujo apague el „breaker“ de circuito, remueva cobertura plástica y dele media vuelta (180 grados) en dirección manecillas del reloj („clockwise“) al tornillo de ajuste de flujo.
3. Reinstale cobertura plástica, encienda el „breaker“ y verifique la temperatura del agua nuevamente. Este procedimiento debe repetirse hasta que se obtenga la temperatura de agua deseada. Por lo contrario, si la temperatura de agua es muy alta ajuste el tornillo de flujo, en contra de las manecillas del reloj (counterclockwise) de la misma manera hasta obtener la temperatura deseada.
4. Para obtener control de temperatura con una llave tipo mezcladora, restrinja el flujo de agua fría a la mezcladora cerrando parcialmente la llave de paso de dicha mezcladora hasta tanto el flujo de agua fría y caliente sean aproximadamente iguales.

### 9. Resolución de incidencias (troubleshooting)

Síntoma	Posible causa	Solución
No hay agua caliente pero se escucha el „click“ al abrir agua caliente.	Se cayó el breaker	Usar breaker adecuado..
	Protección termal activada	Oprimir protector termal (botón)
No hay agua caliente y no se oye el „click“.	El calentador de agua puede ser pequeño	Ver sección 11.3, "Aumento de temperatura del agua" 11.3, pág. 32
	No hay flujo de agua suficiente para activar unidad	Limpiar „aerators“. Abrir valvula al máximo Abrir tornillo de ajuste de flujo. Limpie el filtro en el dispositivo.
Agua no caliente suficiente	Bajo flujo de agua	Disminuir flujo de agua (cerrar tornillo de ajuste.)
	Voltaje muy bajo ó incorrecto	Suministrar voltaje correcto.

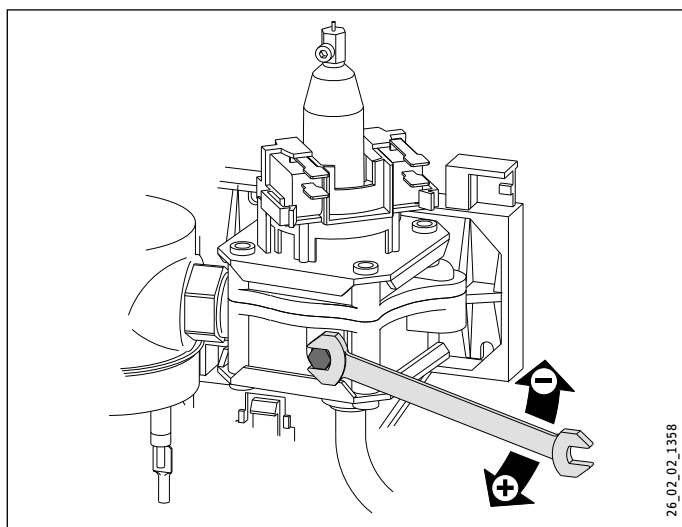
Si el problema no puede solucionarse, diríjase a nosotros (véase última página) antes de retirar el aparato de la pared.

STIEBEL ELTRON le proporcionará asistencia técnica con mucho gusto. En la mayoría de los casos, el problema puede solucionarse mediante una consulta telefónica.

#### Tornillo de flujo

Para bajar la temperatura del agua o aumentar el flujo de agua, abra el tornillo de ajuste del flujo girándolo en sentido antihorario (-). Esto disminuye la temperatura del agua al aumentar el volumen de agua.

Para aumentar la temperatura del agua o reducir el flujo de agua, cierre el tornillo de ajuste del flujo girando en sentido horario (+). Esto aumenta la temperatura del agua al disminuir el volumen de agua.

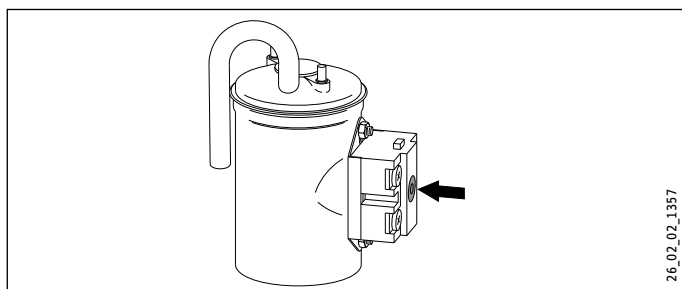


#### Protección termal con botón de activación



##### PELIGRO: Electrocción

No intente restablecer el corte térmico de seguridad de este calentador de agua a menos que la unidad haya sido completamente desconectada de los interruptores automáticos.



## 10. Mantenimiento

Los calentadores de agua Stiebel Eltron DHC están diseñados para una larga y duradera vida de servicio. La vida útil del equipo depende de la calidad de agua y del uso. La unidad, de por sí, no requiere de ningún tipo de mantenimiento. Sin embargo, para asegurar el flujo de agua se recomienda que se remuevan los depósitos que puedan acumularse en el filtro („aerator“) del lavamanos o en las duchas.

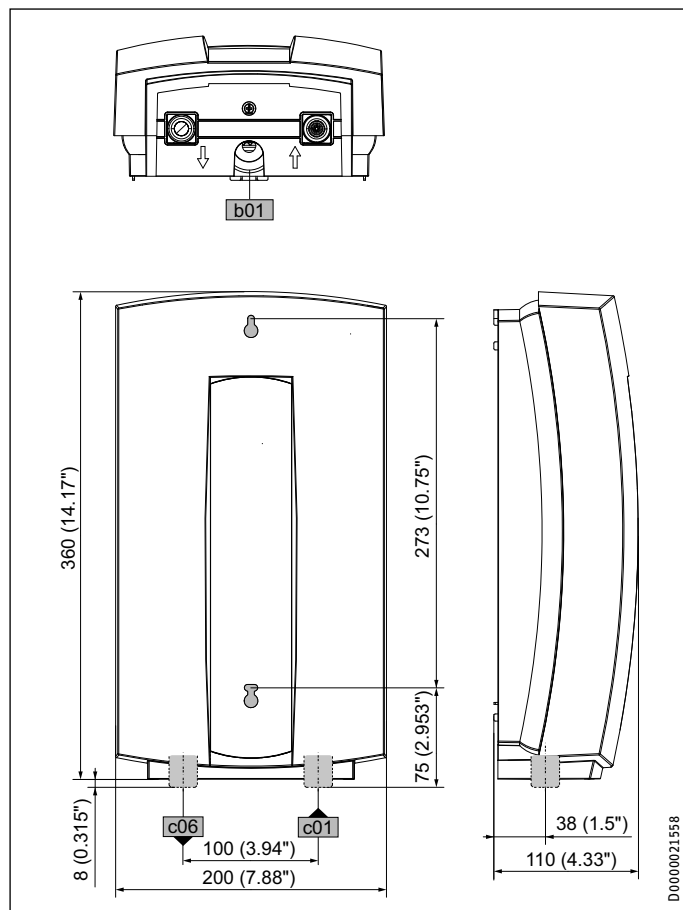


### Nota:

En caso de mal funcionamiento del equipo favor solicitar los servicios de un plomero o electricista certificado. Por favor no intente repararlo usted mismo.

## 11. Datos técnicos

### 11.1 Plano dimensional



b01	Cable de alimentación	
c01	Conexión de agua fría	1/2" NPT
c06	Conexión de agua caliente	1/2" NPT

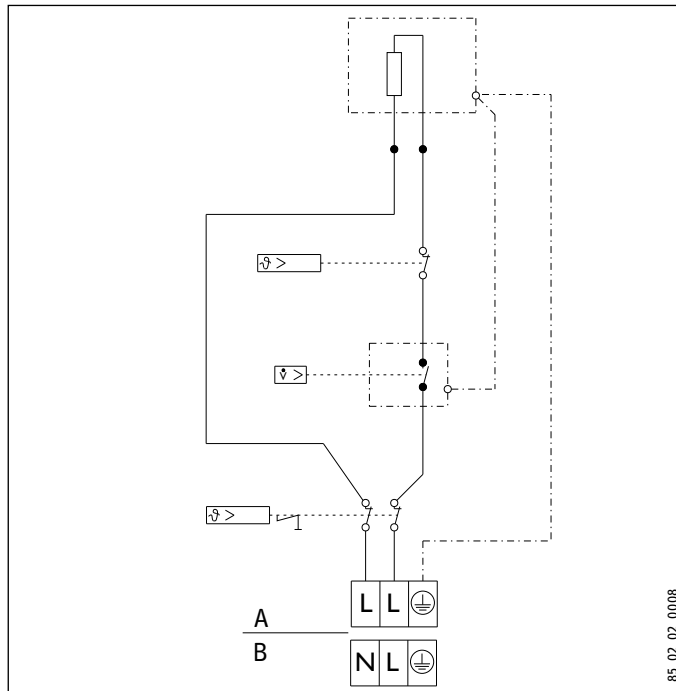
### 11.2 Diagrama eléctrico

DHC 3-2, DHC 4-2, DHC 5-2

A 2/GND ~ 208 / 240V

DHC 4-3

B 1/N/GND ~ 277V



DHC 6-2, DHC 8-2, DHC 10-2

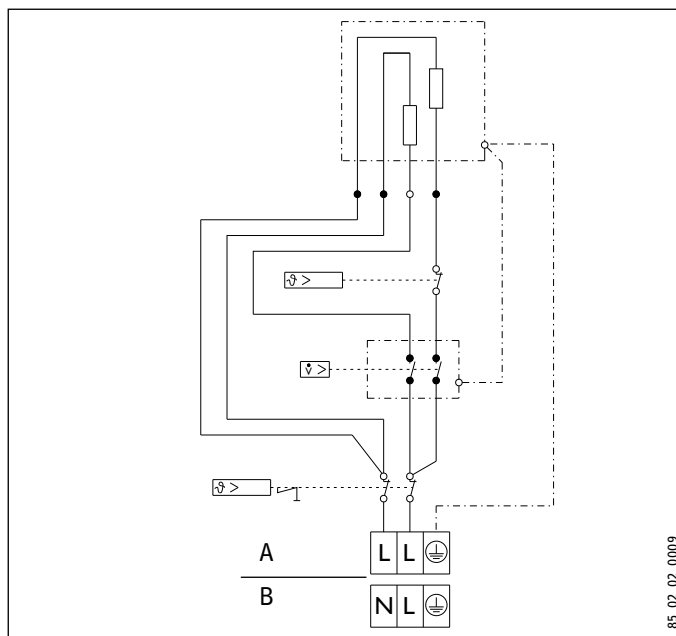
A 2/GND ~ 208 / 240V

DHC 9-3

B 1/N/GND ~ 277V

DHC 3-1

B 1/N/GND ~ 120V



# INSTALACIÓN

## DATOS TÉCNICOS

### 11.3 Aumento de temperatura del agua

Typ / Type	kW	°F									
		GPM (galones por minuto)									
		0.32	0.42	0.48	0.5	0.69	0.75	0.79	1.0	1.5	2.0
DHC 3-1	3.0	65	49	43	41	30	27	26	20	14	10
DHC 3-2	2.5	54	40	35	34	25	23	21	17	11	9
	3.3	71	53	47	45	33	30	28	22	15	11
DHC 4-2	2.9	-	47	41	40	29	26	25	20	13	10
	3.8	-	61	54	52	38	35	33	26	17	13
DHC 4-3	4.5	-	73	64	61	45	41	39	31	20	15
DHC 5-2	3.6	-	58	51	49	36	33	31	25	16	12
	4.8	-	77	68	65	48	44	41	33	22	16
DHC 6-2	4.5	-	-	64	61	45	41	39	31	20	15
	6.0	-	-	85	82	60	55	52	41	27	20
DHC 8-2	5.4	-	-	-	-	54	49	46	37	25	18
	7.2	-	-	-	-	71	65	62	49	33	25
DHC 9-3	9.0	-	-	-	-	-	-	77	58	41	31
DHC 10-2	7.2	-	-	-	-	-	-	62	49	33	25
	9.6	-	-	-	-	-	-	82	65	44	33

Flujo de agua mínimo para activar la unidad.

Typ / Type	kW	°C								
		l/min								
		1.2	1.6	1.8	2.0	2.6	3.0	4.0	5.0	7.5
DHC 3-1	3.0	36	27	24	22	17	14	11	9	6
DHC 3-2	2.5	30	22	20	18	14	12	9	7	5
	3.3	39	30	26	24	18	16	12	9	6
DHC 4-2	2.9	-	26	23	21	16	14	10	8	6
	3.8	-	34	30	27	21	18	14	11	7
DHC 4-3	4.5	-	40	36	32	25	22	16	13	9
DHC 5-2	3.6	-	32	29	26	20	17	13	10	7
	4.8	-	43	38	34	26	23	17	14	9
DHC 6-2	4.5	-	-	36	32	25	22	16	13	9
	6.0	-	-	48	43	33	29	22	17	11
DHC 8-2	5.4	-	-	-	-	30	26	19	15	10
	7.2	-	-	-	-	40	34	26	21	14
DHC 9-3	9.0	-	-	-	-	-	43	32	26	17
DHC 10-2	7.2	-	-	-	-	-	34	26	21	14
	9.6	-	-	-	-	-	46	34	28	18

Flujo de agua mínimo para activar la unidad.



# INSTALACIÓN

## DATOS TÉCNICOS

### 11.4 Tabla de especificaciones

	DHC 3-1	DHC 3-2		DHC 4-2		DHC 4-3	DHC 5-2		DHC 6-2		DHC 8-2		DHC 9-3	DHC 10-2	
	074050	074052		074053		074051	074054		074424		074055		232204	074056	
<b>Especificaciones eléctricas</b>															
Voltaje	120 V	208 V	240 V	208 V	240 V	277 V	208 V	240 V	208 V	240 V	208 V	240 V	277 V	208 V	240 V
Potencia de funcionamiento	3.0 kW	2.5 kW	3.3 kW	2.9 kW	3.8 kW	4.5 kW	3.6 kW	4.8 kW	4.5 kW	6.0 kW	5.4 kW	7.2 kW	9 kW	7.2 kW	9.6 kW
Corriente nominal AMPS	25 A	12 A	14 A	14 A	16 A	17 A	18 A	20 A	22 A	25 A	26 A	30 A	32.5 A	35 A	40 A
Tamaño Mínimo Requerido del Interruptor Auto. „Breaker“ <sup>1</sup>	25 A	15 A	15 A	15 A	20 A	20 A	20 A	20 A	25 A	25 A	30 A	30 A	35 A	35 A	40 A
Tamaño de cable requerido <sup>2</sup>	10 AWG	14 AWG		14 AWG		12 AWG	12 AWG		10 AWG		10 AWG		8 AWG	8 AWG	
Conexión eléctrico	1/N/GND	2/GND		2/GND		1/N/GND	2/GND		2/GND		2/GND		1/N/GND	2/GND	
<b>Conexiones</b>															
Conexión para agua <sup>3</sup>	1/2" NPT														
Cantidad total de alcalinotérreos	2.5 mol/m <sup>3</sup>														
Dureza general (H <sub>2</sub> O)	14 Grado d														
Rango de dureza	2 (moderadamente dura)														
<b>Datos del sistema hidráulico</b>															
Contenido nominal	0.5	0.5	0.5		0.5	0.5	0.5	0.5	0.5	0.5	0.5	0.5	0.5	0.5	0.5
Contenido nominal	0.13	0.13	0.13		0.13	0.13	0.13	0.13	0.13	0.13	0.13	0.13	0.13	0.13	0.13
<b>Valores</b>															
Temperatura de admisión máxima admisible	86 °F / 30°C														
Encendido (ON)	1.2 l/min	1.2 l/min	1.6 l/min		1.6 l/min	1.6 l/min	1.6 l/min	1.6 l/min	1.8 l/min	2.6 l/min	2.6 l/min	2.6 l/min	3.0 l/min	3.0 l/min	3.0 l/min
Encendido (ON)	0.32 GPM	0.32 GPM	0.43 GPM		0.43 GPM	0.43 GPM	0.43 GPM	0.43 GPM	0.48 GPM	0.69 GPM	0.69 GPM	0.69 GPM	0.8 GPM	0.8 GPM	0.8 GPM
Pérdida de carga para caudal volumétrico	0.023 MPa	0.023 MPa	0.023 MPa		0.023 MPa	0.023 MPa	0.023 MPa	0.023 MPa	0.023 MPa	0.025 MPa	0.025 MPa	0.025 MPa	0.03 MPa	0.03 MPa	0.03 MPa
Pérdida de carga para caudal volumétrico	2.88 PSI	2.88 PSI	2.88 PSI		2.88 PSI	2.88 PSI	2.88 PSI	2.88 PSI	2.88 PSI	3.13 PSI	3.13 PSI	3.13 PSI	3.75 PSI	3.75 PSI	3.75 PSI
Caudal para pérdida de presión	1.2 l/min	1.2 l/min	1.6 l/min		1.6 l/min	1.6 l/min	1.6 l/min	1.6 l/min	1.8 l/min	2.6 l/min	2.6 l/min	2.6 l/min	3.0 l/min	3.0 l/min	3.0 l/min
Caudal para pérdida de presión	0.32 GPM	0.32 GPM	0.43 GPM		0.43 GPM	0.43 GPM	0.43 GPM	0.43 GPM	0.48 GPM	0.69 GPM	0.69 GPM	0.69 GPM	0.8 GPM	0.8 GPM	0.8 GPM
Representación del ACS	1.2 l/min	1.2 l/min	1.6 l/min		1.6 l/min	1.6 l/min	1.6 l/min	1.6 l/min	1.8 l/min	2.6 l/min	2.6 l/min	2.6 l/min	3.0 l/min	3.0 l/min	3.0 l/min
Representación del ACS	0.32 GPM	0.32 GPM	0.43 GPM		0.43 GPM	0.43 GPM	0.43 GPM	0.43 GPM	0.48 GPM	0.69 GPM	0.69 GPM	0.69 GPM	0.8 GPM	0.8 GPM	0.8 GPM
<b>Límites de utilización</b>															
Presión máxima admisible	1 MPa														
Presión máxima admisible	150 PSI														
Presión de prueba	2 MPa														
Presión de prueba	300 PSI														
<b>Modelos</b>															
Tipo de protección (IP)	IP25														
Material del depósito a presión	Cobre														
Sistema de calefacción	Radiador de tubos														
Cubierta y pared trasera	Plástico														
Color	blanco														
<b>Dimensiones</b>															
Altura	14.17 in / 360 mm														
Anchura	7.88 in / 200 mm														
Profundidad	4.33 in / 100 mm														
<b>Pesos</b>															
Peso	2.1 kg														
Peso	4.6 lb														

ESPAÑOL

Modelos DHC 3-1, 3-2, 4-2 se suministran con una presión de 0.5 gpm (1.9 l/min) compensar reductor de flujo / aireador que se debe instalar.

<sup>1</sup> Esta es nuestra recomendación por sobre la protección actual de tamaño al 100% de la carga. (2P para 240/208/277V & 1P para 120V modelos). Compruebe normativa local si es necesario.

Los calentadores sin tanque eléctricos son considerados una carga no continua.

<sup>2</sup> Debe usarse cobre. Los conductores deben ser dimensionados para mantener una caída de tensión de menos del 3 % en situación de carga.

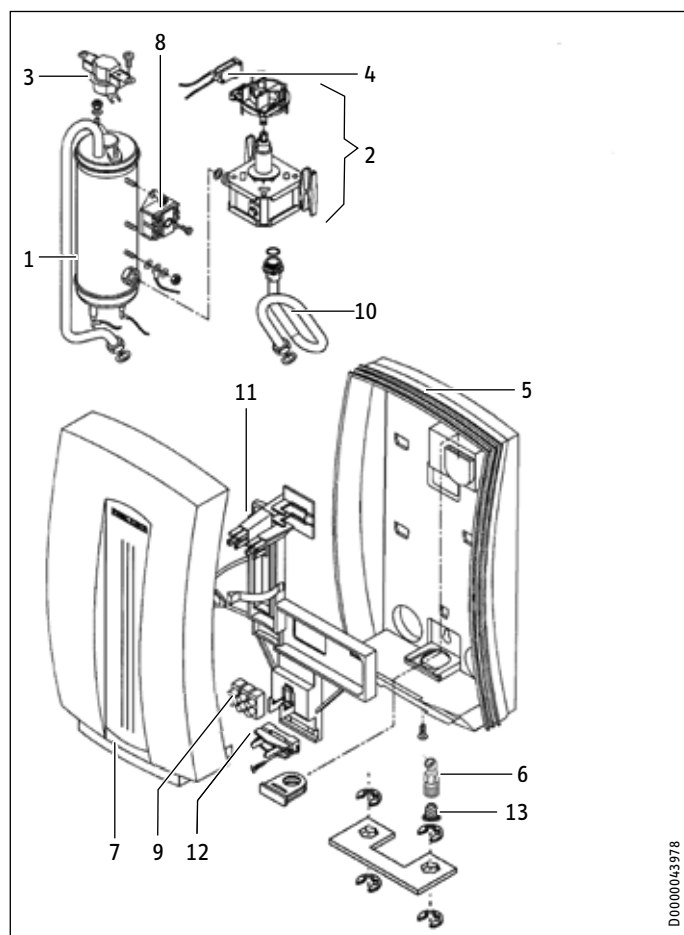
<sup>3</sup> Los equipos están apropiados solo para ser alimentados con agua fría.

# INSTALACIÓN

## PIEZAS DE RECAMBIO

### 12. Piezas de recambio

No.	Piezas de recambio	DHC 3-1	DHC 3-2	DHC 4-2	DHC 4-3	DHC 5-2	DHC 6-2	DHC 8-2	DHC 9-3	DHC 10-2
1	Sistema de Calentamiento	165889	167769	167770	165890	167771	171117	167772	296874	167773
2	Interruptor de Flujo	165273	165273	162162	162162	162162	171105	162164	162465	162165
3	Termostato	162472	162472	162472	162472	162472	162472	162472	162472	162472
4	Interruptor	168026	168026	168026	168026	168026	168026	168026	168026	168026
5	Caja Exterior (parte trasera)	165891	165891	165891	165891	165891	165891	165891	165891	165891
6	Conexiones de Tubería	170789	170789	170789	170789	170789	170789	170789	170789	170789
7	Caja Exterior (parte delantera)	165892	165892	165892	165892	165892	165892	165892	165892	165892
8	Interruptor de Seguridad (temperatura)	162474	162474	162474	162474	162474	162474	162474	162474	162474
9	Bloque de Alambrado	026010	026010	026010	026010	026010	026010	026010	026010	026010
10	Tubo de Cobre	162314	162314	162314	162314	162314	162314	162314	162314	162314
11	Armazón Interior	162462	162462	162462	162462	162462	162462	162462	162462	162462
12	Abrazadera para Cables Eléctricos	055754	055754	055754	055754	055754	055754	055754	055754	055754
13	Filtro	275981	275981	275981	275981	275981	275981	275981	275981	275981



## 13. Garantía

Sujeto a los términos y condiciones expresados en esta Garantía Limitada de por vida, Stiebel Eltron, Inc. (el "Fabricante") por la presente asegura al comprador original (el "Propietario") que cada calentador de agua eléctrico de calor sin tanque (el "Calentador") no deberá (i) tener fugas debido a defectos en los materiales del fabricante o mano de obra por un período de siete (7) años desde la fecha de compra o (ii) falla debido a defectos en los materiales o mano de obra del fabricante por un período de tres (3) años a partir de la fecha de compra. Como única y exclusiva solución para el Propietario en cuanto a la presente garantía, el Fabricante, a discreción del Fabricante, reparará en fábrica o reemplazará el Calentador defectuoso con una unidad o repuesto de reemplazo con características de funcionamiento comparables. La máxima responsabilidad del Fabricante en cualquier circunstancia se limitará al precio de compra del Calentador que pagó el Propietario.

Esta garantía limitada será la garantía exclusiva que el Fabricante otorga, y reemplaza todas las demás garantías, expresas o implícitas, escritas u orales, que incluyen pero no se limitan a las garantías de comerciabilidad o adecuación para un fin determinado. El Fabricante no será responsable de daños incidentales, indirectos o contingentes o gastos que surjan, de manera directa o indirecta, de cualquier defecto del Calentador o del uso del mismo. El Fabricante no será responsable por daños ocasionados por el agua o cualquier otro daño a la propiedad del Propietario que surja, de manera directa o indirecta, de cualquier defecto del Calentador o del uso del mismo. Solo el Fabricante está autorizado a conceder todas las garantías en representación del Fabricante, y ninguna declaración o garantía realizada por cualquier otra parte será vinculante para el Fabricante.

El Fabricante no será responsable de ningún daño relacionado o causado por:

1. cualquier uso indebido o falta de cuidado del Calentador, cualquier accidente que afecte al Calentador, cualquier alteración al Calentador, o cualquier otro uso incorrecto;
2. casos fortuitos o circunstancias sobre las cuales el Fabricante no tiene control;
3. instalación del Calentador que se desvíe de las directivas del Fabricante o no observe los códigos de

- construcción pertinentes;
4. negligencia en cuanto a mantener el Calentador u operar el Calentador según las especificaciones del Fabricante;
5. hacer funcionar el Calentador en condiciones de presión de agua fluctuante o en caso de que el Calentador se alimente de agua no potable durante un período de cualquier duración;
6. instalación defectuosa y/o uso de materiales inapropiados por parte de cualquier instalador y que no se relacione con defectos en los repuestos o la mano de obra del Fabricante;
7. mover el Calentador de su lugar original de instalación;
8. exposición a condiciones de congelamiento;
9. los problemas de calidad del agua, como el agua corrosiva, el agua dura y agua contaminada con contaminantes o aditivos;

Si el Propietario desea devolver el Calentador al Fabricante para su reparación o reemplazo bajo esta garantía, el Propietario debe obtener primero la autorización por escrito del Fabricante. El Propietario deberá presentar una prueba de compra, incluida la fecha de compra, y será responsable de los costos de desinstalación y transporte. Si el Propietario no puede demostrar una fecha de compra, esta garantía se limitará al período que comienza a partir de la fecha de compra impresa en el Calentador. El Fabricante se reserva el derecho de negar la cobertura de esta garantía después de examinar el Calentador. Esta garantía se limita al Propietario y es intransferible.

Algunos Estados y Provincias no permiten la exclusión o limitación de ciertas Garantías. En dichos casos, las limitaciones aquí expresadas pueden no aplicarse al Propietario. En dichos casos esta Garantía se limitará al período más corto y las menores cifras de daños permitidas por ley. Esta Garantía le da derechos legales específicos y puede que usted tenga otros derechos que variarán de Estado a Estado y de Provincia a Provincia.

El Propietario será responsable de todos los costos de mano de obra y otros cargos incurridos al retirar o reparar el Calentador en el lugar de instalación. Por favor obsérvese que el Calentador debe instalarse de tal manera que, en caso de pérdida, el flujo de agua de la pérdida no dañe el lugar en que está instalado.



**La compañía no acepta responsabilidad alguna por la falla de cualquier artículo suministrado que no haya sido instalado y operado de acuerdo con las instrucciones del fabricante.**



**La instalación, conexión eléctrica y primera operación de este artefacto debe ser realizada por un instalador calificado.**

## Medioambiente y reciclaje

Por favor ayúdenos a proteger el medioambiente eliminando el embalaje en concordancia con la normativa nacional para el tratamiento de residuos.

Esta Garantía solo es válida en Estados Unidos y Canadá. Las garantías pueden variar de un país a otro. Consulte a su representante de Stiebel Eltron local para conocer la Garantía correspondiente a su país.

STIEBEL ELTRON, Inc.  
17 West Street | West Hatfield MA 01088  
Tel. 413-247-3380 | Fax 413-247-3369  
info@stiebel-eltron-usa.com  
www.stiebel-eltron-usa.com



Subject to errors and technical changes! | Salvo error o modificación técnica! |  
Sous réserve d'erreurs et de modifications techniques!

**STIEBEL ELTRON**

A 316814-4.1688-9526