

# Operation and Installation

## Funcionamiento e Instalación

## Mode D'emploi et Installation

Tankless Electric Water Heater with Electromechanical Flow Switch  
Calentador Eléctrico de Agua Sin Tanque con Sensor Electromecánico de Flujo  
Chauffe-Eau Électrique Sans Réservoir avec Contacteur Debitmetrique Électromécanique

- » Mini™ 2-1
- » Mini™ 2.5-1
- » Mini™ 3-1
- » Mini™ 3.5-1
- » Mini™ 4-2
- » Mini™ 6-2



Conforms to ANSI/UL Std. 499  
Certified to CAN/CSA Std. E335-1 & E335-2-35

Conforme a ANSI/UL Std. 499  
Certificación con CAN/CSA Std. E335-1 & E335-2-35

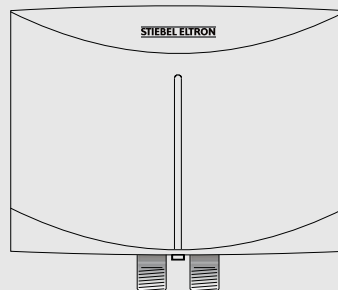
Conforme à la norme ANSI/UL Std. 499  
Certifié à la norme CAN/CSA Std. E335-1 & E335-2-35



Tested and certified by WQA to NSF/ANSI/CAN 372  
for lead free compliance.

Probado y certificado por WQA NSF/ANSI/CAN 372  
para el cumplimiento de las regulaciones sin plomo.

Testé et certifié par WQA à la NSF/ANSI/CAN 372  
pour une utilisation sans plomb.



**STIEBEL ELTRON**

---

## GENERAL INFORMATION

---

<b>1.</b>	<b>General Information</b>	<b>2</b>
1.1	Symbol key	3
<b>2.</b>	<b>Safety precautions</b>	<b>4</b>
<b>3.</b>	<b>Register your product</b>	<b>5</b>
<b>4.</b>	<b>Temperature increase above ambient water temperature</b>	<b>6</b>
<b>5.</b>	<b>Technical drawings</b>	<b>7</b>
<b>6.</b>	<b>Overview</b>	<b>10</b>
6.1	General Description	10
6.2	Important information before supplying power to unit	11
6.3	Hot water output using required aerators	12
6.4	Incorrect use	12
6.5	First steps to be taken in the event of malfunction	12
6.6	Maintenance and care	13
<b>7.</b>	<b>Installation instructions</b>	<b>13</b>
7.1	Mounting the unit	13
7.2	Plumbing connections	14
7.3	Electrical connection	15
<b>8.</b>	<b>Initial start-up</b>	<b>16</b>
<b>9.</b>	<b>Water heater hand over</b>	<b>16</b>
<b>10.</b>	<b>Normal maintenance</b>	<b>16</b>
<b>11.</b>	<b>Technical data</b>	<b>17</b>
<b>12.</b>	<b>Troubleshooting</b>	<b>19</b>

<b>13.</b>	<b>Spare parts</b>	<b>20</b>
<b>14.</b>	<b>Warranty</b>	<b>21</b>

### 1. General Information

Read this entire manual. Failure to follow all the guides, instructions and rules could cause personal injury or property damage. Improper installation, adjustment, alteration, service and use of this unit can result in serious injury.

This unit must be installed by a licensed electrician and plumber. The installation must comply with all national, state and local plumbing and electric codes. Proper installation is the responsibility of the installer. Failure to comply with the installation and operating instructions or improper use voids the warranty.

Save these instructions for future reference. Installer should leave these instructions with the consumer.

If you have any questions regarding the installation, use or operation of this water heater, or if you need any additional installation manuals, please call our technical service line at 800.582.8423 (USA and Canada only). If you are calling from outside the USA or Canada, please call USA 413.247.3380 and we will refer you to a qualified Stiebel Eltron service representative in your area.

# GENERAL INFORMATION



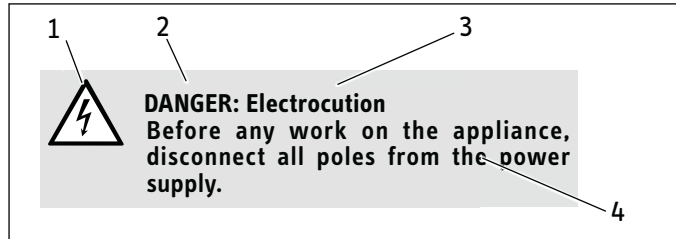
This is the safety alert symbol. It is used to alert you to potential personal injury hazard. Obey all safety messages that follow this symbol to avoid possible injury or death.

The chapter **Operation** is intended for homeowners, heating contractors, plumbers and electricians.

The chapter **Installation** is intended for heating contractors, plumbers and electricians only.

## 1.1 Symbol key

### 1.1.1 Layout of safety information



- 1 Symbol (see 1.1.2 “Symbols”, below)
- 2 Keyword (see 1.1.3 “Keywords”, below)
- 3 Description (see 1.1.2 “Symbols”, below)
- 4 Information text

### 1.1.2 Symbols

Symbol	Description
	Injury
	Electrocution
	Burns or scalding
	Other situations

---

## SAFETY PRECAUTIONS

---

### 1.1.3 Keywords

#### KEYWORD

**DANGER** The keyword DANGER indicates information that must be observed, otherwise serious injury or death will result.

---

**WARNING** The keyword WARNING indicates information that must be observed, otherwise serious injury or death may result.

---

**CAUTION** The keyword CAUTION indicates information that must be observed, otherwise relatively serious or light injuries may result.

---

## 2. Safety precautions



Please read and follow these instructions. Failure to follow these instructions could result in serious bodily injury or death.

The unit must be installed by a licensed electrician and plumber. The installation must comply with all national, state and local plumbing and electric codes.

Service of the unit must be performed by qualified service technicians.



Before proceeding with any installation, adjustment, alteration, or service of this unit, all circuit breakers and disconnect switches servicing the unit must be turned off. Failure to do so could result in serious personal injury or death.



**DANGER:** Never remove the unit's cover unless the electricity servicing the unit is turned off. Failure to do so could result in personal injury or death.



**WARNING:** The unit must be properly grounded. Failure to electrically ground the product could result in serious personal injury or death.

---

## REGISTER YOUR PRODUCT

---



**DANGER:** Water temperatures over 125 °F (52 °C) can cause severe burns instantly or death from scalding. A hot water scalding potential exists if the output from the unit is too high. Households with small children, disabled or elderly persons may require that a mixing valve be installed to deliver water temperatures of 120 °F (49 °C) or lower to prevent possible injury from hot water.

### 3. Register your product



You must register this product within 90 days of purchase on our web site in order to activate the standard warranty or to be eligible for the extended warranty. Go to our web site at [www.stiebel-eltron-usa.com](http://www.stiebel-eltron-usa.com) and click on register your product.

Before beginning the registration process, we suggest that you gather the necessary information which will be as follows:

**Type, Example:** Mini 3-1 (from the white label that is on the right side of the unit)

**Number listed after "Nr."**

**Place of Purchase**

**Purchase Date**

**First & Last Name**

**Email address**

**Physical Address**

**Phone Number**

If you have any questions concerning the registration process or warranty options, please contact Stiebel Eltron USA directly at 800.582.8423.

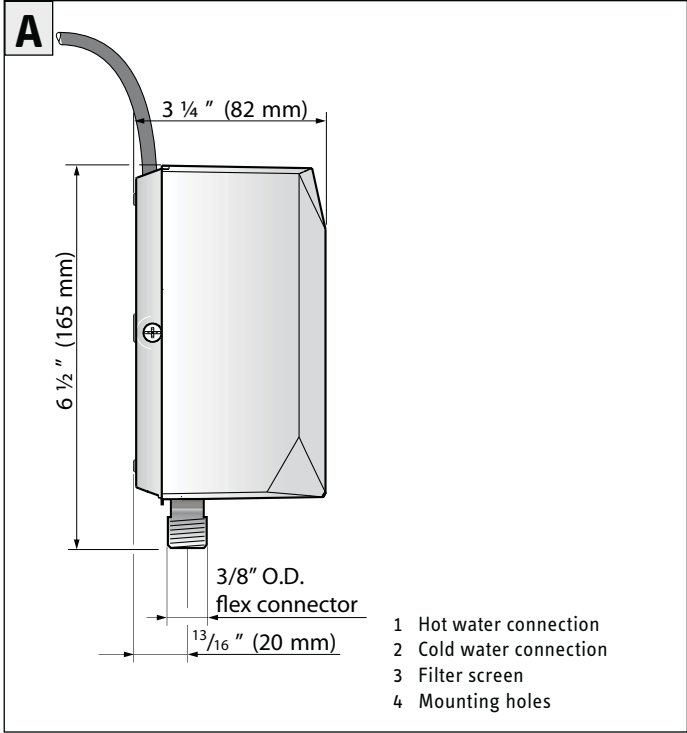
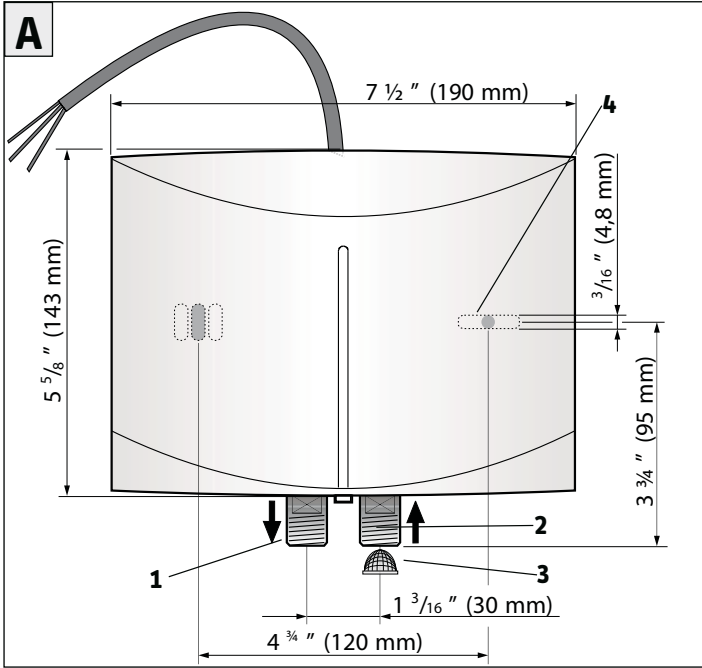
# TEMPERATURE INCREASE ABOVE AMBIENT WATER TEMPERATURE

## 4. Temperature increase above ambient water temperature

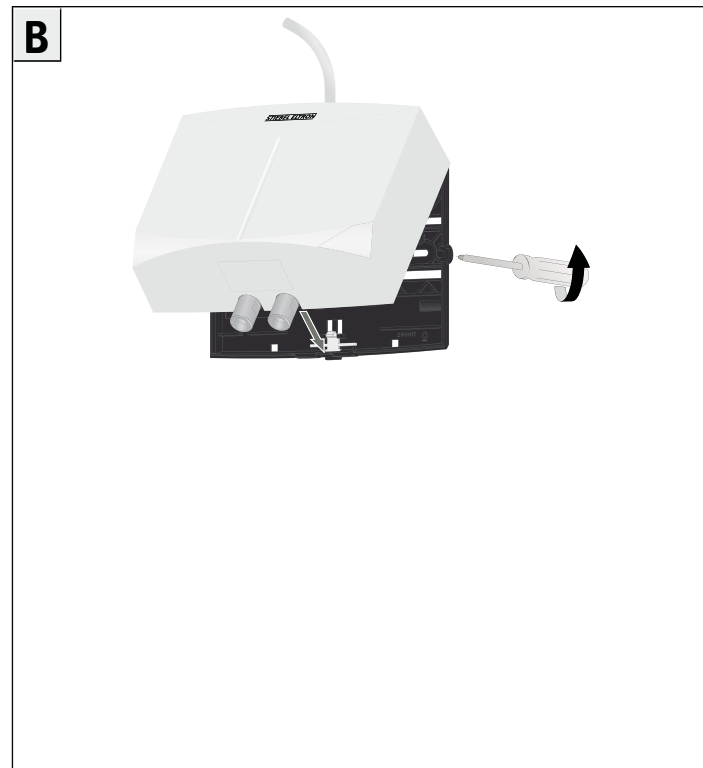
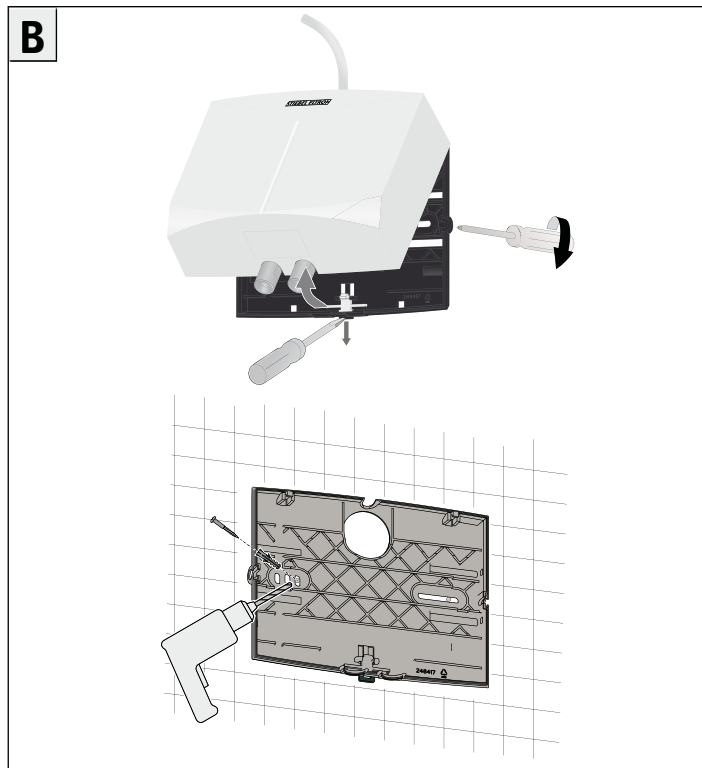
Unit	Heating Capacity	Temp. rise above incoming water temp. (°F)								Temp. rise above incoming water temp. (°C)							
		GPM								l/m							
		0.32	0.42	0.48	0.53	0.69	0.85	1.06	1.14	1.2	1.6	1.8	2.0	2.6	3.2	4.0	4.3
Mini 2-1*	1.8 kW @ 110-120 V	39	-	-	-	-	-	-	-	22	-	-	-	-	-	-	-
Mini 2.5-1	2.4 kW @ 110-120 V	-	39	34	33	24	-	-	-	-	22	19	17	13	-	-	-
Mini 3-1	3.0 kW @ 110-120 V	-	49	43	41	30	-	-	-	-	27	24	22	17	-	-	-
Mini 3.5-1	3.5 kW @ 110-120 V	-	57	50	45	35	-	-	-	-	31	28	25	19	-	-	-
Mini 4-2	3.5 kW @ 220-240 V	-	57	50	45	35	-	-	-	-	31	28	25	19	-	-	-
Mini 6-2	5.7 kW @ 220-240 V	-	-	-	-	-	46	37	34	-	-	-	-	-	25.5	20.4	19.0

\* Mini 2-1 is internally restricted to 0.32 gpm (1.2 l/min)

5. Technical drawings

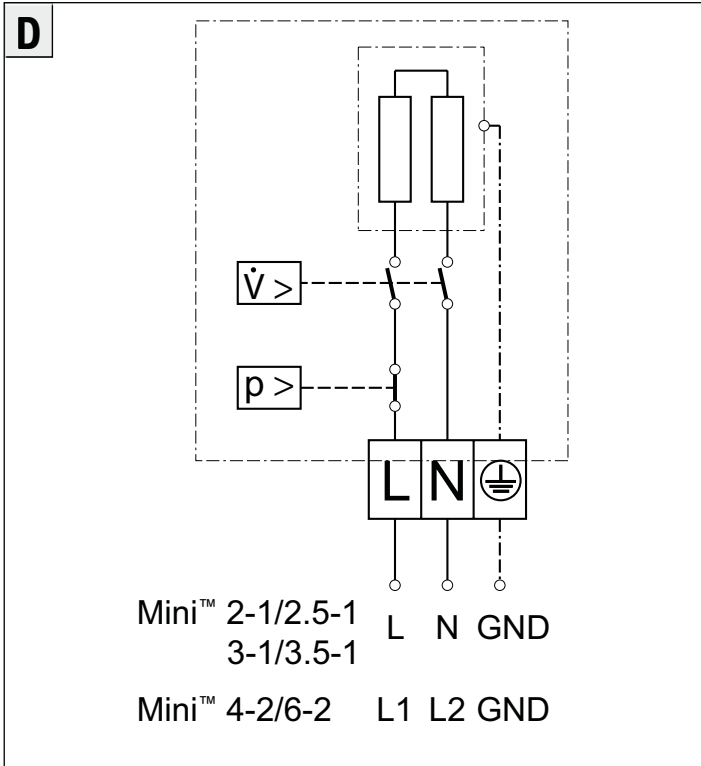
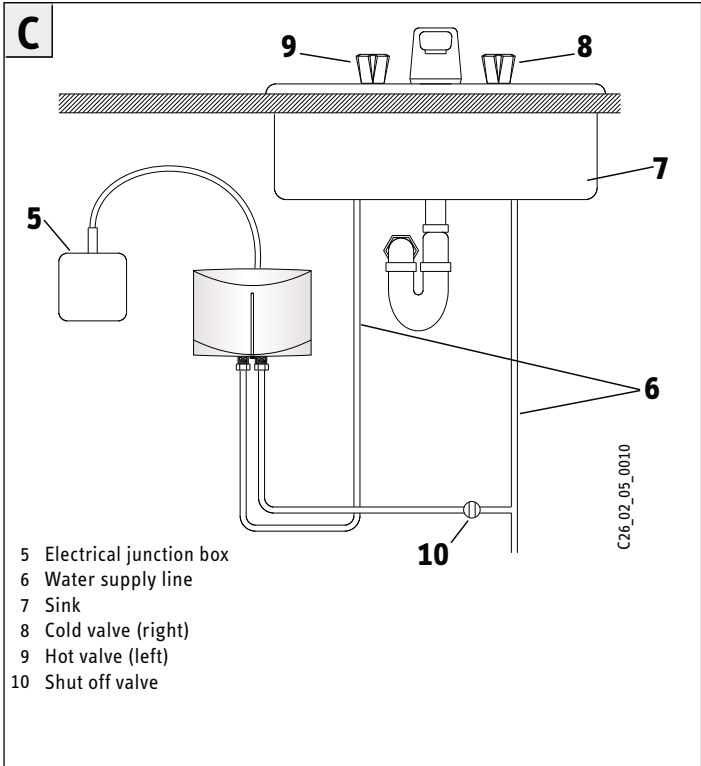


## TECHNICAL DRAWINGS





# TECHNICAL DRAWINGS



ENGLISH



This manual must be read carefully before attempting to install the Mini water heater. If you do not follow the safety rules or the instructions outlined in this manual, the unit may not operate properly and it could cause property damage, serious bodily injury and/or death.

Stiebel Eltron, Inc. will not be liable for any damages because of failure to comply with the installation and operating instructions outlined in this manual or because of improper use. Improper use includes the use of this appliance to heat any liquid other than water. Failure to comply with the installation and operating instructions or improper use voids warranty. Never remove the unit's cover unless the electricity is turned off.

If you have any questions regarding the installation or operation of this water heater, or if you need any additional installation manuals, please call our technical service line on 800.582.8423 (USA and Canada only). If you are calling from outside the U.S. Or Canada, please call us at 413.247.3380 and we will refer you to a qualified Stiebel Eltron service representative in your area.

## 6. Overview

### 6.1 General Description

The Mini tankless water heater differs from conventional storage type water heaters in several ways. It does not store hot water. Instead, water is heated instantaneously as it flows through the unit. The powerful heating elements are activated by a flow switch as water is drawn from a hot water faucet connected to the Mini. Due to the absence of stand-by losses, the Mini offers greater energy efficiency than storage type water heaters. The unit will continuously supply hot water as long as the faucet is open.

The temperature of the hot water delivered by the Mini depends on the wattage of the heating element, the temperature of the incoming cold water, and the water flow rate through the unit. In order for the Mini to operate properly, it must be carefully matched to the application.

In case you have questions regarding the way you plan to use the Mini, please call our technical service line at 800.582.8423 (USA and Canada). For service outside the U.S. and Canada, please call us at USA 413.247.3380. You can also email us at [info@stiebel-eltron-usa.com](mailto:info@stiebel-eltron-usa.com) or fax us at 413.247.3369.

---

## OVERVIEW

---

The Mini can be used for hand washing type applications in the U.S. and Canada:

- Restroom sinks in commercial/industrial facilities and homes
- Kitchen areas in commercial /industrial facilities and homes
- Cabins
- Special uses in photo developing shops, laboratories etc.

The Mini can also be used for whole apartments and homes in warm climate zones such as the Caribbean region, Central America and Mexico due to the higher ambient water temperatures.

### 6.2 Important information before supplying power to unit



**Air in the cold water pipe will destroy the Advanced Direct Coil™ heating system of the Mini. If the water supply to the Mini has been interrupted, for example due to the risk of frost or work on the water pipe, the following steps must be carried out before the unit is used again.**

- » 1. Turn off circuit breaker.

- » 2. Open a hot water tap downstream of the unit for as long as is necessary for the unit and the cold water pipe to be free of air.
- » 3. Turn on circuit breaker.

All information in these Instructions for Use and Installation must be followed carefully. They provide important information with regard to safety, operation, installation, and maintenance of the device.

## OVERVIEW

### 6.3 Hot water output using required aerators

Model	Wattage at max rated voltage	Typical hot water output with required aerator installed <sup>†</sup>
Mini 2-1*	1.8 kW	0.32 gpm (1.2 l/min)
Mini 2.5-1	2.4 kW	0.50 gpm (1.9 l/min)
Mini 3-1	3.0 kW	0.50 gpm (1.9 l/min)
Mini 3.5-1, 4-2	3.5 kW	0.66 / 0.50 gpm (2.5 / 1.9 l/min)
Mini 6-2	5.7 kW	1.0 gpm (3.8 l/min)

All Mini models ship with appropriately sized pressure compensating flow-reducer/aerators that must be installed.

\* Mini 2-1 is internally restricted to 0.32 gpm (1.2 l/min)

† Mini 2-1 ships with a 0.35 gpm (1.3 l/min) aerator

† Mini 2.5-1, 3-1 ship with a 0.5 gpm (1.9 l/min) aerator

† Mini 3.5-1, 4-2 ship with 2 aerators, one must be installed. Install the 0.66 gpm aerator and test the water temperature. If the water is not warm enough, remove the 0.66 gpm aerator and install the 0.5 gpm aerator in its place.

† Mini 6-2 ships with a 1.0 gpm (3.8 l/min) aerator

### 6.4 Incorrect use

The following are not permitted and will void the factory warranty:

- Installation of the appliance where it is at risk from frost
- Installation in rooms where the appliance is at risk from explosions as a result of dust, gases or vapors
- Ignoring safety clearances and safety zones
- Incorrect power connection
- Operation of the appliance without water flowing through the unit, or with air in the lines (See section 8, "Initial start-up", pg. 16)
- Operation of the unit with the cover off
- Heating liquids other than potable water

### 6.5 First steps to be taken in the event of malfunction



**WARNING: Always shut off power and water to the unit prior to removing the filter screen. Failure to do so may cause serious bodily injury or death.**

- » Check the circuit breaker
- » Check the filter screen for scale blockage or dirt accumulation. (See section 12, "Troubleshooting", pg. 19.)

# INSTALLATION INSTRUCTIONS

## 6.6 Maintenance and care



Maintenance work, such as checking electrical safety, may only be carried out by a qualified installer.



**WARNING:** Always shut off power and water to the unit prior to removing the filter screen. Failure to do so may cause serious bodily injury or death.

Regularly clean and descale the filter screen located in the cold water inlet connection and if necessary replace. Always shut off power and water to the unit prior to removing the filter screen.

A damp cloth is sufficient for cleaning of the unit's housing. Do not use any abrasive or corrosive cleaning agents.

## 7. Installation instructions



Keep these instructions carefully and pass them on to your successor in the event of a change in ownership, in the event of maintenance and possible repair work they should be passed to the qualified installer for his or her reference.

## 7.1 Mounting the unit



Unit must be installed with the plumbing connections pointing downward or upward only.



**WARNING:** Do not install unit where it would routinely be splashed with water. Electric shock or death may result.

- » 1. Install Mini as close as possible to the hot water draw-off point, for example, directly underneath the sink or next to the shower stall.
- » 2. Install Mini in a frost free area. If frost may occur, remove unit before freezing temperatures set in.
- » 3. Leave a minimum of 5" of clearance on all sides for servicing.
- » 4. Remove plastic cover by removing screws located on the left and right sides of the unit **B**.
- » 5. Remove plastic backplate by pulling on the tab with a screwdriver **B**.
- » 6. Mount backplate securely to wall by putting two screws through mounting holes **A B**.
- » 7. Snap unit back onto mounting plate **B**.
- » 8. Reinstall cover with screws on left and right side of unit **B**.

---


# INSTALLATION INSTRUCTIONS

---

## 7.2 Plumbing connections



**NOTE:** If soldering near the unit is necessary, please direct the flame away from the housing of the unit in order to avoid damage. Excessive heat from soldering on copper pipes near the Mini may cause damage. All plumbing work must comply with national and applicable state and local plumbing codes.

- » 1. All plumbing work must comply with national and applicable state and local plumbing codes.
- » 2. A pressure reducing valve must be installed if the cold water supply pressure exceeds 150 psi (10 bar).
- » 3. Make certain that the cold water supply line has been flushed to remove any scale and dirt.
- » 4. Install isolating valve in cold water line as shown in illustration . This allows the unit to be isolated for maintenance purposes.
- » 5. Cold water connection (inlet) is on the right side of the unit, hot water connection (outlet) is on the left side of unit.
- » 6. Tankless water heaters such as the Mini are not required to be equipped with a Pressure and Temperature Relief Valve (except in Massachusetts). If the local inspector will not pass the installation without a P+T valve, it should be installed on the hot water outlet side of unit.
- » 7. The Mini is designed for connection to a braided stainless steel hose with a 3/8" O.D. tube outlet.

- » 8. When all plumbing work is completed, check for leaks and take corrective action before proceeding.

## 7.3 Electrical connection



**WARNING:** Before beginning any work on the electric installation, be sure that the main circuit breaker panel switch is "off" to avoid any danger of electric shock. Failure to do so may result in serious injury or death. All mounting and plumbing must be completed before proceeding with electrical hook-up. Where required by local, state or national electrical codes, the circuit should be equipped with a ground fault interrupter.

**WARNING:** As with any electric appliance, failure to electrically ground unit may result in serious injury or death.

**CAUTION:** Installing a Mini 2-1, Mini 2.5-1, Mini 3-1, or Mini 3.5-1 on a 208 V or 220–240 V circuit will destroy the heating element. This is considered improper installation and will void your factory warranty.

---

# INSTALLATION INSTRUCTIONS

---

## 7.3.1 Wiring

For 120 V units, the brown wire of the pigtail should be hooked up to L (Load/Live), the blue wire to N (Neutral), and the green/yellow wire to the ground GND.

For 208/240 V units, the brown wire of the pigtail should be hooked up to L1, the blue wire to L2, and the green/yellow wire to the ground GND.

## 7.3.2 Voltage

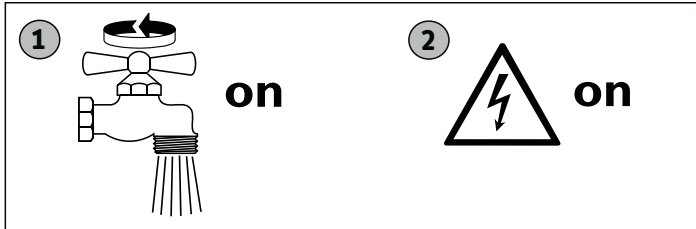
Model	Voltage
Mini 2-1	110-120 V
Mini 2.5-1	110-120 V
Mini 3-1	110-120 V
Mini 3.5-1	110-120 V
Mini 4-2	220-240 V, 208 V
Mini 6-2	220-240 V, 208 V

1. All electrical work must comply with national and applicable state and local electrical codes.
2. The Mini should be connected to a properly grounded dedicated branch circuit of proper voltage rating. In installations with several Mini units, each unit requires an independent circuit. Please refer to the technical data table for the correct wire and circuit breaker size.
3. The open ends of the “pigtail” must be feed into an electrical junction box. Then feed wires through strain relief clamp and tighten clamp down on wire.
4. Reinstall plastic cover.

### 8. Initial start-up



**WARNING:** Open hot water faucet for a few minutes until water flow is continuous and all air is purged from water pipes. The unit's plastic cover must be installed before the circuit breaker is turned on.



### 9. Water heater hand over

Explain the functions of the unit to the user and familiarize him or her with its use.

Important instructions:

- » Draw the user's attention to possible hazards (scalding).
- » Hand over these instructions for future reference.

- » In order to obtain a proper temperature at a single spout mixer-type faucet, restrict cold water flow to faucet by partially closing the cold water shut-off valve under the sink until cold water and hot water flow rates are approximately the same.

### 10. Normal maintenance



**CAUTION:** Other than the filter screen, the Mini does not contain any parts serviceable by the lay person. In case of malfunction please contact a licensed plumber or electrician.

Stiebel Eltron Mini tankless heaters are designed for a very long service life. Actual life expectancy will vary with water quality and use. To ensure consistent water flow, it is recommended to periodically remove scale and dirt that may build up at the aerator of the faucet or in the shower head. Also, the Mini has a built in filter screen that should be cleaned from time to time. In order to do this, turn off the cold water supply at the isolating valve. Clean screen and put the screen back into its original position.



# TECHNICAL DATA

## 11. Technical data

	Mini™ 2-1*	Mini™ 2.5-1	Mini™ 3-1	Mini™ 3.5-1	Mini™ 4-2	Mini™ 6-2
Part number	231045	232098	220816	232099	222039	220817
<b>Electrical data</b>						
Phases	1 - 50/60 Hz					
Voltage <sup>1</sup>	110-120 V	110-120 V	110-120 V	110-120 V	220-240 V 208 V	220-240 V 208 V
Wattage	1.8 kW	2.4 kW	3.0 kW	3.5 kW	3.5 kW 2.6 kW	5.7 kW 4.3 kW
Amperage draw	15 A	20 A	25 A	29 A	15 A 13 A	24 A 21 A
Min. recommended circuit breaker size <sup>2</sup>	15 A	20 A	25 A	30 A	15 A	25 A
Min. recommended wire size <sup>3</sup> (copper)	14 AWG	12 AWG	10 AWG	10 AWG	14 AWG	10 AWG
<b>Connections</b>						
Water connection <sup>4</sup>	3/8" O.D. flex connector or 3/8" compression fitting					
<b>Application limits</b>						
Max. permissible pressure	150 psi (10 bar)					
Recommended inlet temperature	41-77°F (5-25°C)					
Minimum water flow to activate unit	0.21 gpm (0.8 l/m)	0.40 gpm (1.5 l/m)	0.40 gpm (1.5 l/m)	0.40 gpm (1.5 l/m)	0.40 gpm (1.5 l/m)	0.77 gpm (2.9 l/m)

\* Mini 2-1 is internally restricted to 0.32 gpm (1.2 l/min).

<sup>1</sup> Nominal mains voltage is 110-120 V and 220-240 V.

<sup>2</sup> This is our recommendation for overcurrent protection sized at 100% of load. Check local codes for compliance if necessary.

Tankless water heater are considered a non-continuous load.

<sup>3</sup> Copper must be used. Conductors should be sized to maintain a voltage drop of less than 3% under load.

<sup>4</sup> For use with cold water supply only.

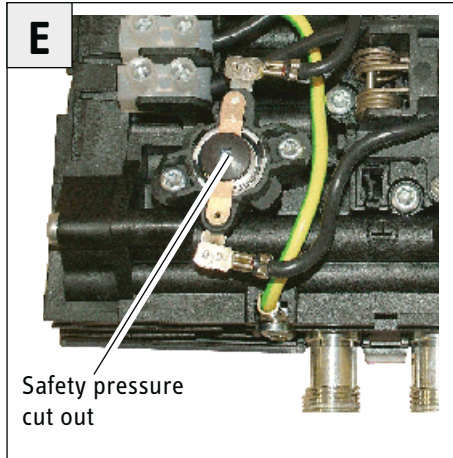
## TECHNICAL DATA

	Mini™ 2-1*	Mini™ 2.5-1	Mini™ 3-1	Mini™ 3.5-1	Mini™ 4-2	Mini™ 6-2
Miscellaneous						
Heating element	Nichrome wire					
Color	White					
Included pressure compensating flow reducer/aerator that must be installed	0.35 gpm (1.3 l/min)	0.5 gpm (1.9 l/min)	0.5 gpm (1.9 l/min)	0.66 gpm (2.5 l/min) 0.5 gpm (1.9 l/min)	0.66 gpm (2.5 l/min) 0.5 gpm (1.9 l/min)	1.0 gpm (3.8 l/min)
Dimensions						
Height	6½" (143 mm)					
Width	7½" (190 mm)					
Depth	3¼" (82 mm)					
Weights						
Weight	3.3 lbs (1.5 kg)					

Mini 3.5-1, 4-2 ship with 2 flow-reducer/aerators, one must be installed. Install the 0.66 gpm aerator and test the water temperature. If the water is not warm enough, remove the 0.66 gpm aerator and install the 0.5 gpm aerator in its place.

# TROUBLESHOOTING

## 12. Troubleshooting



Symptom	Possible cause	Solution
No hot water despite fully opened hot water faucet.	No electrical power.	Check the circuit breaker and check voltage at the wiring block.
	The activation flow rate needed to turn on the heating element has not been reached.	<ul style="list-style-type: none"><li>- Clean filter screen</li><li>- Clean aerator installed at faucet</li></ul>
	Safety cut out tripped	<ul style="list-style-type: none"><li>- Turn circuit breakers off</li><li>- Open hot valve to release pressure from the unit</li><li>- Reset safety pressure cut out <b>E</b></li><li>- Turn circuit breakers on</li></ul>



### **DANGER: Electrocutation**

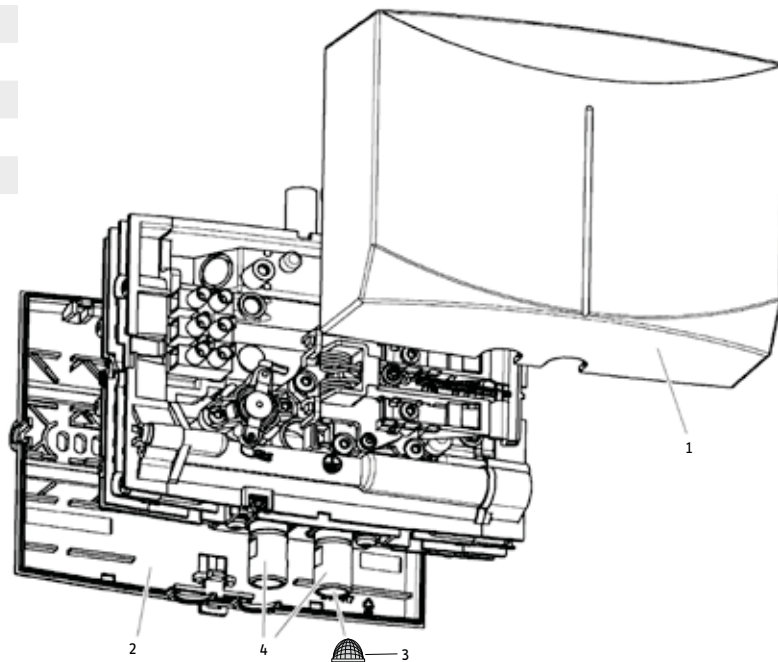
Do not attempt to reset the safety pressure cutout of this water heater unless power to the unit has been completely shut off at the circuit breakers.

## SPARE PARTS

### 13. Spare parts

Spare Part (all Mini™ models) Item no.

1	Front cover	271010
2	Rear housing	271011
3	Filter screen	272884
4	Plumbing connections	272777
5	O-rings (not shown)	083043



## 14. Warranty

Subject to the terms and conditions set forth in this limited warranty, Stiebel Eltron, Inc. (the "Manufacturer") hereby warrants to the original purchaser (the "Owner") that each Tankless Electric Domestic Hot Water Heater (the "Heater") shall not (i) leak due to defects in the Manufacturer's materials or workmanship for a period of ten (10) years from the date of purchase or (ii) fail due to defects in the Manufacturer's materials or workmanship for a period of three (3) years from the date of purchase. As Owner's sole and exclusive remedy for breach of the above warranty, Manufacturer shall, at the Manufacturer's discretion, send replacement parts for local repair; retrieve the unit for factory repair, or replace the defective Heater with a replacement unit with comparable operating features. Manufacturer's maximum liability under all circumstances shall be limited to the Owner's purchase price for the Heater.

This limited warranty shall be the exclusive warranty made by the Manufacturer and is made in lieu of all other warranties, express or implied, whether written or oral, including, but not limited to warranties of merchantability and fitness for a particular purpose. Manufacturer shall not be liable for incidental, consequential or contingent damages or expenses arising directly or indirectly from any defect in the Heater or the use of the Heater. Manufacturer shall not be liable for any water damage or other damage to property of Owner arising, directly or indirectly, from any defect in the Heater or the use of the Heater. Manufacturer alone is authorized to make all warranties on Manufacturer's behalf and no statement, warranty or guarantee made by any other party shall be binding on Manufacturer.

Manufacturer shall not be liable for any damage whatsoever relating to or caused by:

1. any misuse or neglect of the Heater, any accident to the Heater, any alteration of the Heater, or any other unintended use;
2. acts of God and circumstances over which Manufacturer has no control;
3. installation of the Heater other than as directed by Manufacturer and other than in accordance with applicable building codes;
4. failure to maintain the Heater or to operate the Heater in accordance with the Manufacturer's specifications;
5. operation of the Heater under fluctuating water pressure or in the event the Heater is supplied with non-potable water, for any duration;

6. improper installation and/or improper materials used by any installer and not relating to defects in parts or workmanship of Manufacturer;
7. moving the Heater from its original place of installation;
8. exposure to freezing conditions;
9. water quality issues such as corrosive water, hard water, and water contaminated with pollutants or additives;

Should owner wish to return the Heater to manufacturer for repair or replacement under this warranty, Owner must first secure written authorization from Manufacturer. Owner shall demonstrate proof of purchase, including a purchase date, and shall be responsible for all removal and transportation costs. If Owner cannot demonstrate a purchase date this warranty shall be limited to the period beginning from the date of manufacture stamped on the Heater. Manufacturer reserves the right to deny warranty coverage upon Manufacturer's examination of Heater. This warranty is restricted to the Owner and cannot be assigned.

Some States and Provinces do not allow the exclusion or limitation of certain warranties. In such cases, the limitations set forth herein may not apply to the Owner. In such cases this warranty shall be limited to the shortest period and lowest damage amounts allowed by law. This warranty gives you specific legal rights and you may also have other rights which vary from State to State or Province to Province.

Owner shall be responsible for all labor and other charges incurred in the removal or repair of the Heater in the field. Please also note that the Heater must be installed in such a manner that if any leak does occur, the flow of water from any leak will not damage the area in which it is installed.

This Warranty is valid for U.S.A. & Canada only. Warranties may vary by country. Please consult your local Stiebel Eltron Representative for the Warranty for your country.

## Environment and recycling

Please help us to protect the environment by disposing of the packaging in accordance with the national regulations for waste processing.

# INFORMACIÓN GENERAL

<b>1.</b>	<b>Información general</b>	<b>22</b>
1.1	Explicación de símbolos	23
<b>2.</b>	<b>Precauciones de seguridad</b>	<b>24</b>
<b>3.</b>	<b>Registre su producto</b>	<b>25</b>
<b>4.</b>	<b>Aumento de la temperatura por encima de la temperatura ambiente del agua</b>	<b>26</b>
<b>5.</b>	<b>Diagramas técnicos</b>	<b>27</b>
<b>6.</b>	<b>Resumen general</b>	<b>30</b>
6.1	Descripción general	30
6.2	Información importante a tener en cuenta antes de conectar la unidad a la red eléctrica	31
6.3	Salida de agua caliente utilizando aireadores requeridos	32
6.4	Uso incorrecto	32
6.5	Primeros pasos a dar en caso de mal funcionamiento	32
6.6	Mantenimiento y cuidado	33
<b>7.</b>	<b>Instrucciones de instalación</b>	<b>33</b>
7.1	Montaje de la unidad	33
7.2	Conexiones de agua	34
7.3	Conexión eléctrica	35
<b>8.</b>	<b>Puesta en marcha inicial</b>	<b>36</b>
<b>9.</b>	<b>Traspaso del calentador de agua</b>	<b>36</b>
<b>10.</b>	<b>Mantenimiento de rutina</b>	<b>36</b>

<b>11.</b>	<b>Datos técnicos</b>	<b>37</b>
<b>12.</b>	<b>Resolución de problemas</b>	<b>39</b>
<b>13.</b>	<b>Repuestos</b>	<b>40</b>
<b>14.</b>	<b>Garantía</b>	<b>41</b>

## 1. Información general

Lea este manual en su totalidad. El incumplimiento de alguna de las pautas, instrucciones o reglas puede ocasionar lesiones personales o daños a la propiedad. La inadecuada instalación, ajuste, alteración, mantenimiento y uso de la unidad puede resultar en lesiones severas.

Esta unidad debe ser instalada por un electricista y sanitario autorizado. La instalación debe cumplir con todos los códigos sanitarios y eléctricos nacionales, estatales y locales. La instalación adecuada es responsabilidad del instalador. El incumplimiento de las instrucciones de instalación y operación o el uso inadecuado invalidan la garantía. Guarde este instructivo para consultas futuras. El instalador debe devolverle este instructivo al usuario.

Si tiene cualquier consulta relacionada con la instalación, uso u operación de este calentador de agua, o si necesita cualquier manual de instalación adicional, comuníquese por favor con nuestra línea de servicio técnico a través del 800.582.8423 (solo

# INFORMACIÓN GENERAL

para EE.UU. y Canadá). Si está llamando desde fuera de EE.UU. y Canadá, comuníquese por favor con EE.UU. ++413.247.3380 y le informaremos sobre un representante calificado del servicio Stiebel Eltron en su zona.



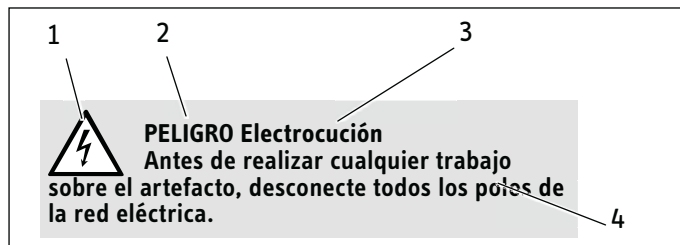
Este es el símbolo de alerta de seguridad. Se utiliza para alertarle sobre potenciales peligros de lesiones personales. Obedezca todos los mensajes de seguridad que siguen a este símbolo para evitar posibles lesiones o muerte.

El capítulo **Operación** está dirigido a dueños de casa, técnicos en calefacción, sanitarios y electricistas.

El capítulo **Instalación** está dirigido solamente a técnicos en calefacción, sanitarios y electricistas.

## 1.1 Explicación de símbolos

### 1.1.1 Presentación de la información de seguridad



- 1 Símbolo (Véase la sección 1.1.2 “Símbolos”, abajo)
- 2 Palabra clave (Véase la sección 1.1.3, “Palabras clave”, pág. 24)
- 3 Denominación (Véase la sección 1.1.2 “Símbolos”, abajo)
- 4 Texto informativo

### 1.1.2 Símbolos

Símbolo	Denominación
	Lesiones
	Electrocución
	Quemaduras o escaldaduras
	Otras situaciones

# PRECAUCIONES DE SEGURIDAD

## 1.1.3 Palabras clave

### Palabra clave

**PELIGRO** La palabra clave PELIGRO indica información que debe respetarse, ya que de lo contrario se producirán lesiones serias o incluso la muerte.

**ADVERTENCIA** La palabra clave ADVERTENCIA indica información que debe respetarse, ya que de lo contrario pueden producirse lesiones serias o incluso la muerte.

**PRECAUCIÓN** La palabra clave PRECAUCIÓN indica información que debe respetarse, ya que de lo contrario pueden producirse lesiones serias o incluso la muerte.

## 2. Precauciones de seguridad



Por favor lea y siga estas instrucciones. El incumplimiento de estas instrucciones puede resultar en lesiones corporales severas o incluso la muerte.

La unidad debe ser instalada por un electricista y un sanitario autorizado. La instalación debe cumplir con todos los códigos sanitarios y eléctricos nacionales, estatales y locales.

El mantenimiento de la unidad debe ser realizado por técnicos calificados.



**PELIGRO:** Antes de realizar cualquier instalación, ajuste, alteración o servicio de mantenimiento de la unidad todos los disyuntores e interruptores del circuito que alimenta la unidad deben ser desconectados. No hacerlo puede resultar en lesiones personales severas o incluso la muerte.



**PELIGRO:** Nunca retire la cubierta de la unidad sin haber desconectado primero la alimentación eléctrica de la unidad. No hacerlo puede resultar en lesiones personales severas o incluso la muerte.



## REGISTRE SU PRODUCTO



**PELIGRO:** Temperaturas de agua mayores a 125 °F (52 °C) pueden causar quemaduras instantáneas severas o muerte por escaldaduras. Existe riesgo de escaldadura con agua caliente si la salida de la unidad es demasiado elevada. Los hogares con niños pequeños, personas discapacitadas o personas mayores pueden requerir que se instale una válvula mezcladora para suministrar la temperatura de agua a 120 °F (49 °C) o menos para evitar posibles lesiones por agua caliente.



**ADVERTENCIA:** La unidad debe ser correctamente conectada a tierra. No conectar la unidad a tierra puede resultar en lesiones personales severas o incluso la muerte.

### 3. Registre su producto



Debe registrar este producto en nuestro sitio web dentro de los 90 días de la compra para activar la garantía estándar o para ser elegible para la garantía extendida. Diríjase a nuestro sitio web en [www.stiebel-eltron-usa.com](http://www.stiebel-eltron-usa.com) y haga clic en registre su producto.

Antes de comenzar el proceso de registro, le sugerimos que reúna la información necesaria que será la siguiente:

**Tipo, por ejemplo:** Mini 3-1 (de la etiqueta blanca que se encuentra en el lado derecho de la unidad)

**Número indicado después de "Nr."**

**Lugar de compra**

**Fecha de compra**

**Nombre y apellido**

**Dirección de correo electrónico**

**Dirección física**

**Número telefónico**

Si desea realizar cualquier consulta respecto del proceso de registro o las opciones de garantía, póngase por favor en contacto directamente con Stiebel Eltron EE.UU. al 800.582.8423.

# AUMENTO DE LA TEMPERATURA POR ENCIMA DE LA TEMPERATURA AMBIENTE DEL AGUA

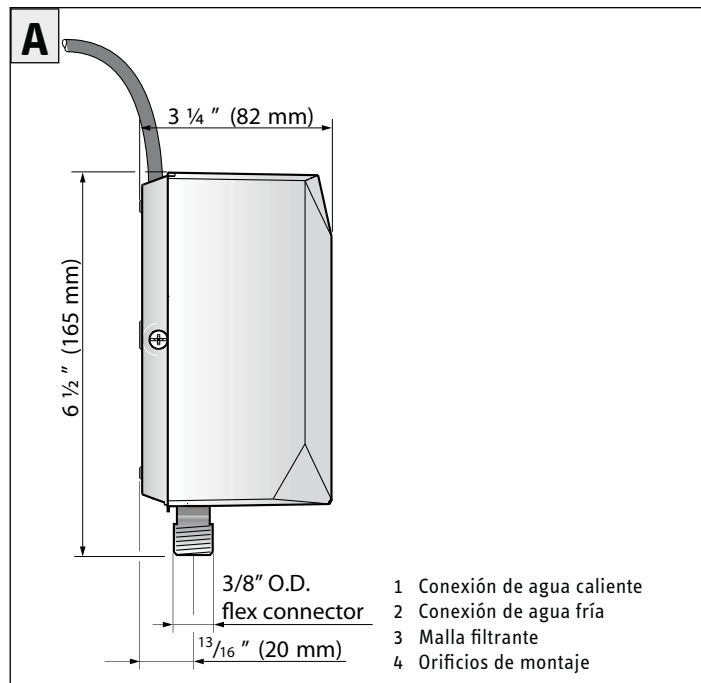
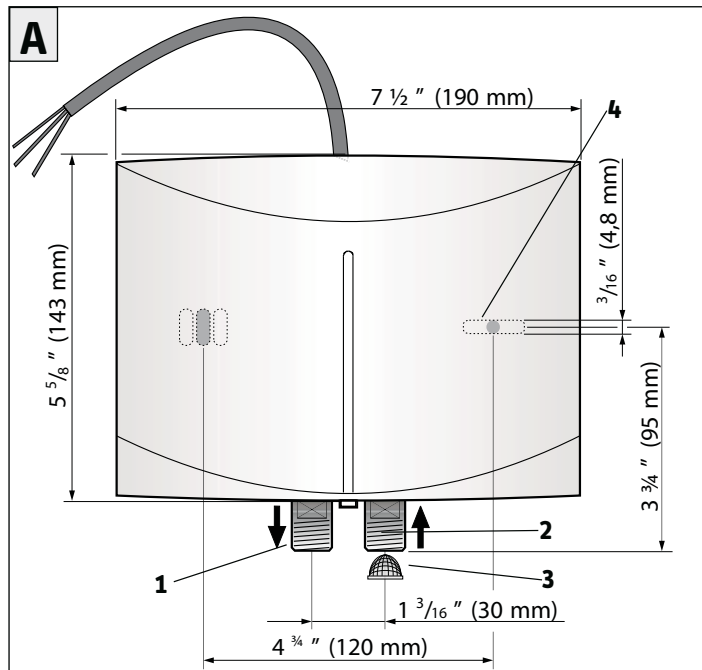
## 4. Aumento de la temperatura por encima de la temperatura ambiente del agua

Aparato	Potencia de funcionamiento	Aumento de la temperatura (°F)							Aumento de la temperatura (°C)								
		GPM							l/m								
		0.32	0.42	0.48	0.53	0.69	0.85	1.06	1.14	1.2	1.6	1.8	2.0	2.6	3.2	4.0	4.3
Mini 2-1*	1.8 kW @ 110-120 V	39	-	-	-	-	-	-	-	22	-	-	-	-	-	-	-
Mini 2.5-1	2.4 kW @ 110-120 V	-	39	34	33	24	-	-	-	-	22	19	17	13	-	-	-
Mini 3-1	3.0 kW @ 110-120 V	-	49	43	41	30	-	-	-	-	27	24	22	17	-	-	-
Mini 3.5-1	3.5 kW @ 110-120 V	-	57	50	45	35	-	-	-	-	31	28	25	19	-	-	-
Mini 4-2	3.5 kW @ 220-240 V	-	57	50	45	35	-	-	-	-	31	28	25	19	-	-	-
Mini 6-2	5.7 kW @ 220-240 V	-	-	-	-	-	46	37	34	-	-	-	-	-	25.5	20.4	19.0

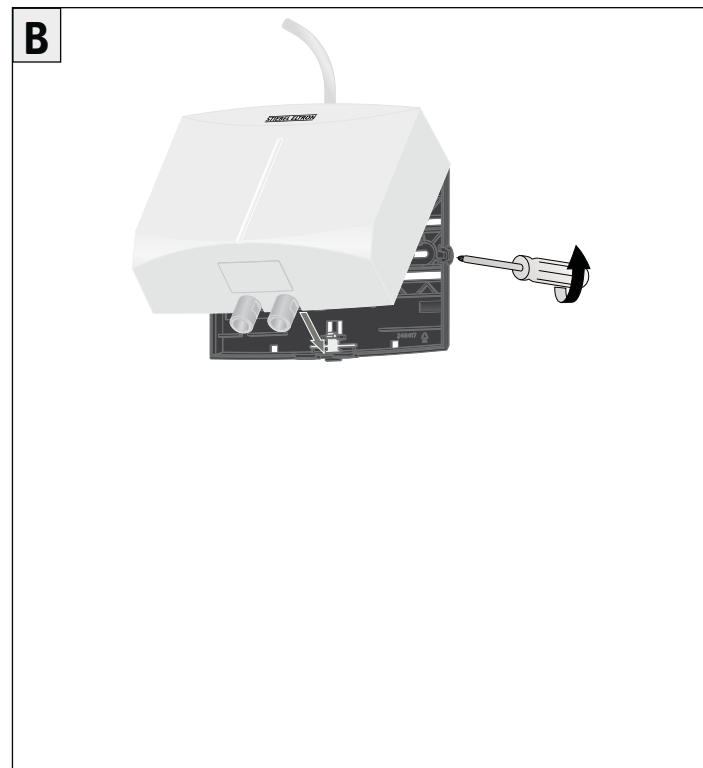
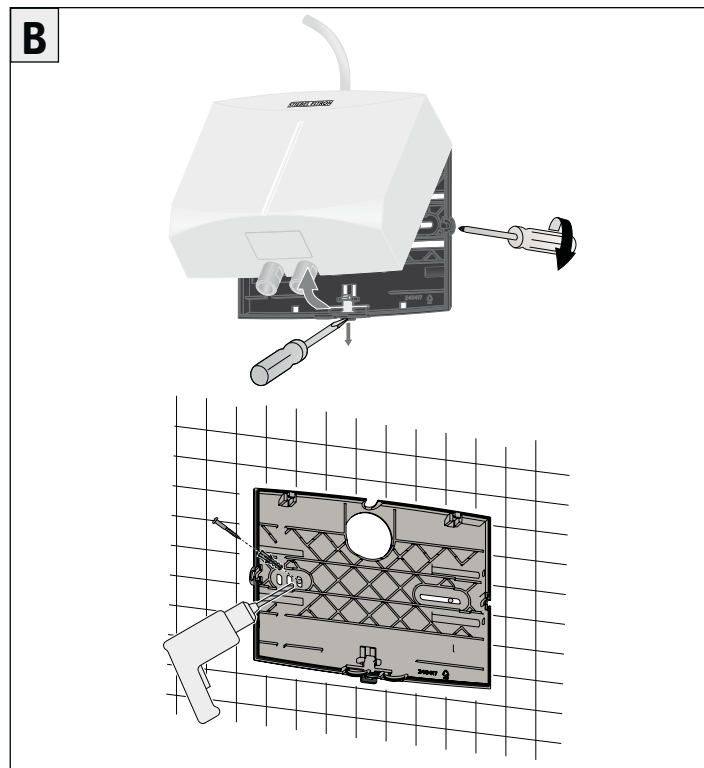
\* Mini 2-1 está limitado internamente a 0.32 gpm (1.2 l/min)

# DIAGRAMAS TÉCNICOS

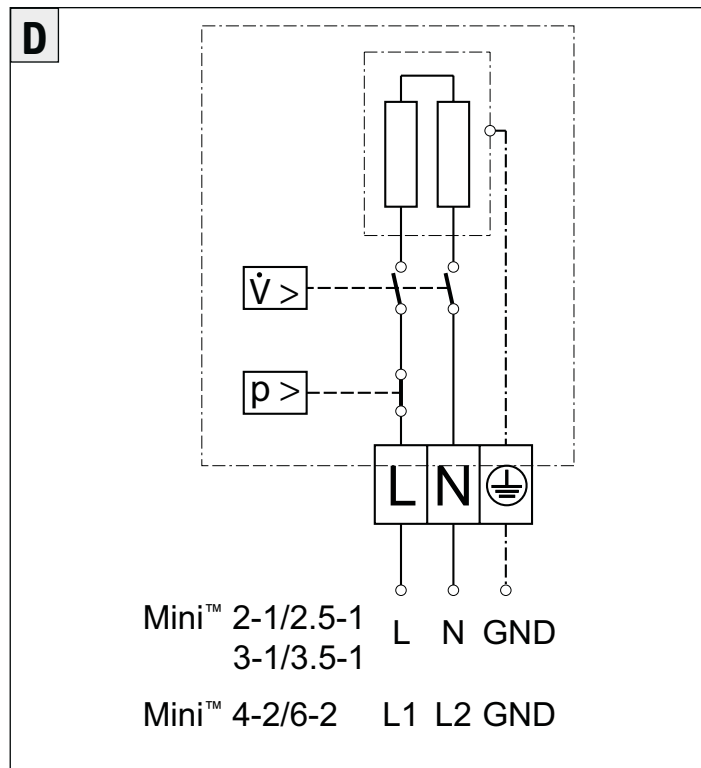
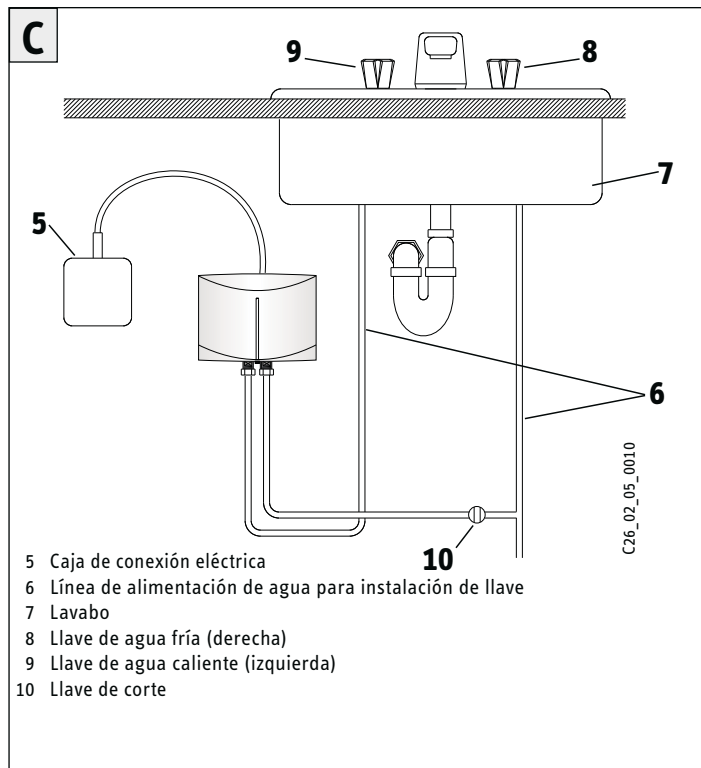
## 5. Diagramas técnicos



## DIAGRAMAS TÉCNICOS



# DIAGRAMAS TÉCNICOS



ESPAÑOL



Este manual debe ser leído cuidadosamente antes de intentar instalar el calentador de agua mini. Si ud no sigue las normas de seguridad o las instrucciones descritas en este manual, la unidad puede no operar adecuadamente y puede ocasionar daños a la propiedad, lesiones corporales severas y/o la muerte.

Stiebel Eltron no será responsable por cualquier daño ocasionado por el incumplimiento de las instrucciones de instalación y operación descritas en este manual o por uso inadecuado. Como uso inadecuado se incluye el uso de este artefacto para calentar cualquier otro líquido que no sea agua. El incumplimiento de las instrucciones de instalación y operación o el uso inadecuado invalidan la garantía. Nunca retire la cubierta de la unidad sin haber desconectado primero la electricidad.

Si tiene cualquier consulta relacionada con la instalación u operación de este calentador de agua, o si necesita cualquier manual de instalación adicional, comuníquese por favor con nuestra línea de servicio técnico a través del 800.582.8423 (Solo para EE.UU. y Canadá). Si está llamando desde fuera de EE.UU. y Canadá, comuníquese por favor con EE.UU. 413.247.3380 y le informaremos sobre un representante calificado del servicio stiebel eltron en su zona.

## 6. Resumen general

### 6.1 Descripción general

El calentador de agua sin tanque Mini difiere de los calentadores de agua tradicionales de acumulación en varios aspectos. No almacena agua caliente. En cambio, el agua se calienta en forma instantánea cuando fluye a través de la unidad. Los poderosos elementos calefactores se activan por un sensor de flujo cuando se extrae agua de una llave de agua caliente conectada al Mini. Debido a la ausencia de pérdidas en modo de espera, el Mini ofrece mayor eficiencia energética que los calentadores de agua de acumulación. La unidad suministrará agua caliente de forma continua mientras que la llave esté abierta.

La temperatura del agua caliente entregada por el Mini depende de la potencia del elemento calefactor, la temperatura del agua fría de entrada y el flujo de agua a través de la unidad. Para que el Mini funcione correctamente, debe ser ajustado cuidadosamente a la aplicación que se le va a dar.

Si tiene consultas relacionadas con el modo en que piensa utilizar el Mini, por favor comuníquese con nuestra línea de servicio técnico al 800.582.8423 (EE.UU. y Canadá). Para servicios fuera de EE.UU. y Canadá, por favor comuníquese con EE.UU. 413.247.3380.

## RESUMEN GENERAL

También puede comunicarse por correo electrónico a: [info@stiebel-eltron-usa.com](mailto:info@stiebel-eltron-usa.com) o por fax al 413.247.3369.

El Mini puede ser utilizado para aplicaciones de lavado de manos en EE.UU. y Canadá:

- Lavabos de baño en instalaciones comerciales/industriales y hogares
- Cocinas en instalaciones comerciales/industriales y hogares
- Cabañas
- Usos especiales en locales de revelado de fotografías, laboratorios, etc.

El Mini también puede ser utilizado para apartamentos completos y casas en zonas de clima cálido como la región del Caribe, América Central y México, debido a que se registran temperaturas ambiente del agua superiores.

### 6.2 Información importante a tener en cuenta antes de conectar la unidad a la red eléctrica



La presencia de aire en la cañería de agua fría destruirá el sistema calefactor de Advanced Direct Coil™ do del Mini. Si se ha interrumpido la alimentación de agua al Mini, por ejemplo debido a riesgos de formación de escarcha o a trabajos en la cañería de agua, se deben ejecutar los siguientes pasos antes de volver a utilizar la unidad:

- » 1. Desconecte el disyuntor del circuito.
- » 2. Abra una llave de agua caliente ubicada a continuación de la unidad durante el tiempo necesario para que la unidad y la cañería de agua fría queden libres de aire.
- » 3. Conecte el disyuntor del circuito.

Toda la información contenida en estas Instrucciones de Uso debe ser seguida cuidadosamente. Las Instrucciones de Uso brindan información importante en relación a la seguridad, operación, instalación y mantenimiento de la unidad.

## RESUMEN GENERAL

### 6.3 Salida de agua caliente utilizando aireadores requeridos

Modelo	Potencia a voltaje nominal máx.	Salida de agua caliente típica con aireadores requeridos <sup>†</sup>
Mini 2-1*	1.8 kW	0.32 gpm (1.2 l/min)
Mini 2.5-1	2.4 kW	0.50 gpm (1.9 l/min)
Mini 3-1	3.0 kW	0.50 gpm (1.9 l/min)
Mini 3.5-1, 4-2	3.5 kW	0.66 / 0.50 gpm (2.5 / 1.9 l/min)
Mini 6-2	5.7 kW	1.0 gpm (3.8 l/min)

Todos los modelos Mini se suministran con aireadores / reductores de flujo del tamaño adecuado que debe instalarse.

\* Mini 2-1 está limitado internamente a 0.32 gpm (1.2 l/min)

† Mini 2-1 se suministra con un aireador de 0.35 gpm (1.3 l/min)

† Mini 2.5-1, 3-1 se suministra con un aireador de 0.50 gpm (1.9 l/min)

† Mini 3.5-1, 4-2 se suministran con dos aireadores, uno debe estar instalado. Instale el aireador de 0.66 gpm y pruebe la temperatura de agua. Si el agua no está lo suficientemente caliente, retire el 0.66 gpm aireador e instale el aireador de 0.5 gpm en su lugar.

† Mini 6-2 se suministra con un aireador de 1.0 gpm (3.8 l/min)

### 6.4 Uso incorrecto

No están permitidas e invalidarán la garantía de fábrica:

- La instalación del artefacto donde exista riesgo de formación de escarcha
- La instalación en habitaciones donde el artefacto esté en riesgo de explosión como resultados de polvos, gases o vapores
- Ignorar las holguras y zonas de seguridad
- Conexión eléctrica incorrecta
- La operación del artefacto sin que fluya agua por la unidad, o con aire en las cañerías (Véase la sección 8, “Puesta en marcha inicial”, pág. 36)
- La operación de la unidad sin tener colocada la cubierta
- Calentar líquidos diferentes del agua potable

### 6.5 Primeros pasos a dar en caso de mal funcionamiento



**ADVERTENCIA:** Siempre desconecte la energía eléctrica y el agua de la unidad antes de retirar la malla filtrante. No hacerlo puede resultar en lesiones personales severas o incluso la muerte.



# INSTRUCCIONES DE INSTALACIÓN

- » Revise el disyuntor
- » Revise la malla filtrante para detectar el bloqueo por incrustaciones o la acumulación de suciedad. (Véase la sección 12, “Resolución de problemas”, pág. 39)

## 6.6 Mantenimiento y cuidado



El trabajo de mantenimiento, tal como comprobar la seguridad eléctrica, solo puede ser realizado por un instalador calificado.



**ADVERTENCIA:** Siempre desconecte la energía eléctrica y el agua de la unidad antes de retirar la malla filtrante. No hacerlo puede resultar en lesiones personales severas o incluso la muerte.

Periódicamente limpie y elimine las incrustaciones de la malla filtrante ubicada en la conexión de entrada de agua fría, y si es necesario reemplácela. Siempre desconecte la energía eléctrica y el agua de la unidad antes de retirar la malla filtrante.

Para limpiar la carcasa de la unidad es suficiente utilizar un paño húmedo. No utilice ningún agente de limpieza abrasivo o corrosivo.

## 7. Instrucciones de instalación



Guarde estas instrucciones cuidadosamente y entréguelas a su sucesor en caso de ocurrir un cambio en la propiedad; si se debe realizar mantenimiento o un posible trabajo de reparación, estas instrucciones deben ser entregadas al instalador calificado para su consulta.

### 7.1 Montaje de la unidad



La unidad solamente debe ser montada con las conexiones sanitarias apuntando hacia arriba o hacia abajo.



**ADVERTENCIA:** No instale la unidad en un lugar donde pueda ser salpicada a menudo con agua. Puede resultar en shock eléctrico o incluso muerte.

- » 1. Instale el Mini tan cerca como sea posible del punto donde se extraerá el agua caliente, por ejemplo directamente debajo del lavabo o junto al ducha.
- » 2. Instale el Mini en una zona libre de escarcha. Si se formase escarcha, retire la unidad antes que se alcance la temperatura de congelación.

# INSTRUCCIONES DE INSTALACIÓN

- » 3. Deje una holgura mínima de 13 cm en todas las caras para realizar el mantenimiento.
- » 4. Para retirar la cubierta de plástico desenrosque los tornillos ubicados en el lado izquierdo y el lado derecho de la unidad **B**.
- » 5. Retire el panel trasero de plástico tirando de la lengüeta con un destornillador **B**.
- » 6. Asegure el panel trasero a la pared colocando dos tornillos a través de los orificios de montaje **A B**.
- » 7. Vuelva a encajar la unidad sobre el panel de montaje **B**.
- » 8. Vuelva a colocar la cubierta sujetándola con los tornillos ubicados en el lado izquierdo y el lado derecho de la unidad **B**.

## 7.2 Conexiones de agua



**NOTA:** Si fuera necesario soldar cerca de la unidad, por favor dirija la llama lejos de la carcasa de la unidad para evitar daños. El calor excesivo ocasionado por soldar cañerías de cobre cerca del Mini puede causar daños.

Todo el trabajo plomería debe cumplir con los códigos de plomería nacionales, estatales y locales aplicables.

- » 1. Todo el trabajo plomería debe cumplir con los códigos de plomería nacionales, estatales y locales aplicables.
- » 2. Si la presión de la alimentación de agua fría supera los 1,034 MPa (150 psi o 10 bar) se debe instalar una válvula reductora de presión.
- » 3. Asegúrese que la línea de alimentación de agua fría ha sido enjuagada para retirar cualquier incrustación o suciedad.
- » 4. Instale una llave de paso en la cañería de agua fría tal como se muestra en la ilustración **C**. Esto permite aislar la unidad para propósitos de mantenimiento.
- » 5. La conexión de agua fría (entrada) se encuentra del lado derecho de la unidad, la conexión de agua caliente (salida) se encuentra del lado izquierdo de la unidad.
- » 6. Los calentadores de agua sin tanque, tal como el Mini, no requieren estar equipados con una válvula de alivio de presión y temperatura (salvo en Massachusetts). Si el inspector local no aprueba la instalación sin una válvula de presión y temperatura, la misma debe ser instalada del lado de la unidad donde se encuentra la salida de agua caliente.
- » 7. El Mini está diseñado para ser conectado con una manguera trenzada de acero inoxidable con un diámetro exterior del tubo de salida de 7,6 cm (3/8 pulg.).
- » 8. Cuando se haya completado todo el trabajo de sanitaria, compruebe que no existen pérdidas y tome medidas correctivas antes de proceder.

## 7.3 Conexión eléctrica



**ADVERTENCIA:** Antes de comenzar cualquier trabajo de instalación eléctrica, asegúrese que el interruptor del panel del circuito disyuntor principal esté en posición “off” para evitar peligro de shock eléctrico. No hacerlo puede resultar en lesiones personales severas o incluso la muerte. Todo el montaje e instalación sanitaria debe completarse antes de proceder a la conexión eléctrica. Cuando lo requieran los códigos locales, estatales o nacionales, el circuito debe estar equipado con un interruptor de falla a tierra.

**ADVERTENCIA:** Como con cualquier artefacto eléctrico, la no conexión de la unidad a tierra puede resultar en lesiones severas o incluso la muerte.

**PRECAUCIÓN:** La instalación de un Mini 2-1, Mini 2.5-1, Mini 3-1, o Mini 3.5-1 en un circuito de 208 V o 240 V destruirá el elemento calefactor. Ésto se considera instalación indebida e invalidará su garantía de fábrica.

### 7.3.1 Alambrado

Para las unidades de 120 V, el cable marrón del cable flexible debe estar conectado a L (carga / vida), el cable azul a N (neutro) y el cable verde / amarillo a tierra GND.

Para las unidades de 208/240 V, el cable marrón del cable flexible debe estar conectado a L1, el cable azul a L2 y el cable verde / amarillo a tierra GND.

### 7.3.2 Voltaje


Modelo	Voltaje
Mini 2-1	110-120 V
Mini 2.5-1	110-120 V
Mini 3-1	110-120 V
Mini 3.5-1	110-120 V
Mini 4-2	220-240 V, 208 V
Mini 6-2	220-240 V, 208 V

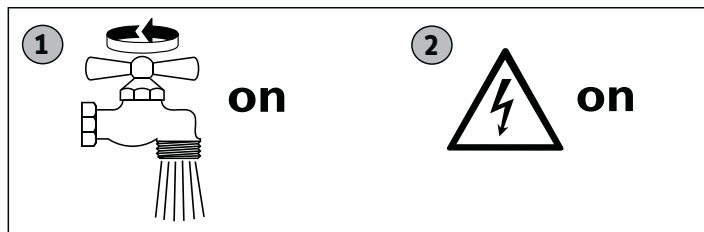
1. Todo el trabajo eléctrico debe cumplir con los códigos sanitarios nacionales, estatales y locales aplicables.
2. El Mini debe ser conectado a un ramal dedicado del circuito con una conexión a tierra adecuada y el voltaje apropiado. En instalaciones con varias unidades Mini, cada unidad requiere un circuito independiente. Por favor consulte la tabla de datos técnicos para conocer el dimensionado correcto de los cables y el disyuntor.
3. Introduzca los extremos libres del cable flexible en una caja de conexión eléctrica. Pase luego los cables a través de la abrazadera de alivio de tensión y ajuste la abrazadera sobre el cable.

## PUESTA EN MARCHA INICIAL

4. Vuelva a colocar la cubierta plástica.

### 8. Puesta en marcha inicial

 **ADVERTENCIA:** Abra la llave de agua caliente por unos minutos hasta que el flujo de agua sea continuo y todo el aire haya sido purgado de las cañerías de agua. La cubierta plástica de la unidad debe ser instalada antes de conectar el disyuntor del circuito.




### 9. Traspaso del calentador de agua

Explique las funciones de la unidad al usuario y haga que se familiarice con su uso. Instrucciones importantes:

- » Advierta al usuario de posibles peligros (escaldaduras).
- » Entréguele este instructivo para consultas futuras.

- » Para obtener una temperatura adecuada en la salida de una llave única tipo mezcladora, restrinja el flujo de agua fría a la llave cerrando parcialmente la válvula de corte del agua fría ubicada debajo del lavabo, hasta que los flujos de agua fría y caliente sean aproximadamente iguales.

### 10. Mantenimiento de rutina

 **PRECAUCIÓN:** Salvo el tamiz filtrante, el Mini no posee ninguna parte que pueda ser mantenida por una persona no especializada. En caso de mal funcionamiento, por favor contacte a un sanitario o electricista autorizado.

Los calentadores de agua sin tanque Mini de Stiebel Eltron están diseñados para una larga vida útil. La expectativa de vida real variará con la calidad del agua y el uso. Para asegurar un flujo de agua uniforme, se recomienda remover periódicamente las incrustaciones y la suciedad que puede depositarse en el aireador de la llave o en el cabezal de la ducha. El Mini también tiene incorporado un tamiz filtrante que debe limpiarse de tanto en tanto. Para hacer esto, corte la alimentación de agua fría con la llave de paso. Limpie el tamiz y vuelva a colocarlo en su posición original.

## 11. Datos técnicos

	Mini™ 2-1*	Mini™ 2.5-1	Mini™ 3-1	Mini™ 3.5-1	Mini™ 4-2	Mini™ 6-2
# Catálogo	231045	232098	220816	232099	222039	220817
<b>Datos eléctricos</b>						
Fase	1 - 50/60 Hz					
Tensión <sup>1</sup>	110-120 V	110-120 V	110-120 V	110-120 V	220-240 V 208 V	220-240 V 208 V
Potencia de funcionamiento	1.8 kW	2.4 kW	3.0 kW	3.5 kW	3.5 kW 2.6 kW	5.7 kW 4.3 kW
Corriente nominal	15 A	20 A	25 A	29 A	15 A 13 A	24 A 21 A
Interrupción auto. # requerido <sup>2</sup>	15 A	20 A	25 A	30 A	15 A	25 A
Calibre de alambre, cobre <sup>3</sup>	14 AWG	12 AWG	10 AWG	10 AWG	14 AWG	10 AWG
<b>Conexión</b>						
Conexión de agua <sup>4</sup>	una manguera trenzada de acero inoxidable con un diámetro exterior del tubo de salida de 7,6 cm (3/8 pulg.)					
<b>Límites de aplicación</b>						
Presión de trabajo, máx.	150 psi (10 bar)					
Temperatura de entrada recomendada	41-77 °F (5-25 °C)					
<b>Flujo mínimo de agua para activar</b>						
la unidad	0.21 gpm (0.8 l/m)	0.40 gpm (1.5 l/m)	0.40 gpm (1.5 l/m)	0.40 gpm (1.5 l/m)	0.48 gpm (1.8 l/m)	0.58 gpm (2.2 l/m)

\* Mini 2-1 está limitado internamente a 0.32 gpm (1.2 l/min).

<sup>1</sup> El voltaje nominal de la red es 110-120V y 220-240V.

<sup>2</sup> Esta es nuestra recomendación por sobre la protección actual de tamaño al 100% de la carga. Compruebe normativa local si es necesario. Los calentadores sin tanque eléctricos son considerados una carga no continua.

<sup>3</sup> Debe usarse cobre. Los conductores deben ser dimensionados para mantener una caída de tensión de menos del 3 % en situación de carga.

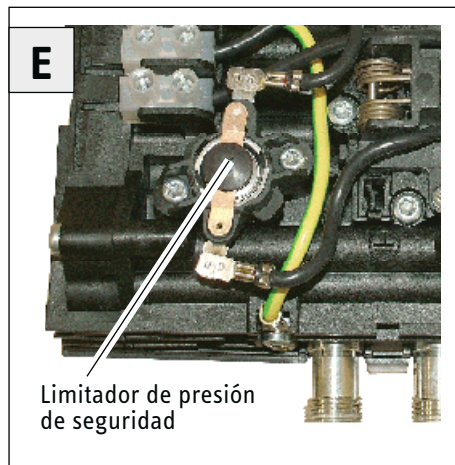
<sup>4</sup> Los equipos están apropiados solo para ser alimentados con agua fría.

## DATOS TÉCNICOS

	Mini™ 2-1*	Mini™ 2.5-1	Mini™ 3-1	Mini™ 3.5-1	Mini™ 4-2	Mini™ 6-2
Diverso						
Sistema calefactor	Cable de Nicromo					
Color	Blanco					
Reductor / aireador compensador de presión que debe ser instalado	0.35 gpm (1.3 l/min)	0.5 gpm (1.9 l/min)	0.5 gpm (1.9 l/min)	0.66 gpm (2.5 l/min) 0.5 gpm (1.9 l/min)	0.66 gpm (2.5 l/min) 0.5 gpm (1.9 l/min)	1.0 gpm (3.8 l/min)
Dimensiones						
Altura	6½ pulg. (143 mm)					
Ancho	7½ pulg. (190 mm)					
Profundidad	3¼ pulg. (82 mm)					
Peso						
Peso	3.3 lbs (1.5 kg)					

Mini 3.5-1, 4-2 se suministran con 2 reductores de flujo / aireadores, uno debe estar instalado. Instale el aireador de 0.66 gpm y pruebe la temperatura de agua. Si el agua no está lo suficientemente caliente, retire el 0.66 gpm aireador e instale el aireador de 0.5 gpm en su lugar.

## 12. Resolución de problemas



Limitador de presión de seguridad



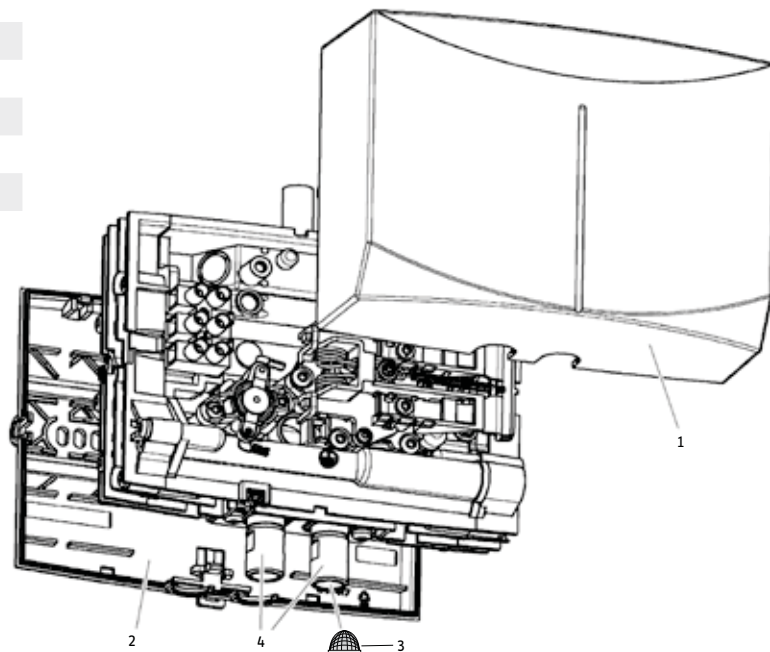
### PELIGRO: Electrocutación

No intente restablecer el corte de presión de seguridad de este calentador de agua a menos que la unidad haya sido completamente desconectada de los interruptores automáticos.

Síntoma	Causa posible	Solución
No sale agua caliente a pesar que la llave de agua caliente está completamente abierta.	Sin energía eléctrica.	Verifique el disyuntor del circuito y compruebe el voltaje en el bloque de conexiones.
	No se ha alcanzado el flujo de activación requerido para encender el elemento calefactor.	<ul style="list-style-type: none"> <li>- Limpie la malla filtrante.</li> <li>- Limpie el aireador instalado en el grifo.</li> </ul>
	Se activó el limitador de seguridad	<ul style="list-style-type: none"> <li>- Desconecte los disyuntores del circuito</li> <li>- Abra la llave caliente para liberar presión de la unidad</li> <li>- Reinicie el limitador de seguridad de presión <b>E</b></li> <li>- Conecte los disyuntores del circuito</li> </ul>

## 13. Repuestos

Repuesto (todos los modelos Mini™)	Nº
1 Cubierta frontal	271010
2 Cubierta trasera	271011
3 Malla filtrante	272884
4 Conexiones de agua	272777
5 Juntas circulares (no se muestra aquí)	083043





## 14. Garantía

Sujeto a los términos y condiciones expresados en esta Garantía Limitada de por vida, Stiebel Eltron, Inc. (el "Fabricante") por la presente asegura al comprador original (el "Propietario") que cada calentador de agua eléctrico de calor sin tanque (el "Calentador") no deberá (i) tener fugas debido a defectos en los materiales del fabricante o mano de obra por un período de diez (10) años desde la fecha de compra o (ii) falla debido a defectos en los materiales o mano de obra del fabricante por un período de tres (3) años a partir de la fecha de compra. Como única y exclusiva solución para el Propietario en cuanto a la presente garantía, el Fabricante, a discreción del Fabricante, reparará en fábrica o reemplazará el Calentador defectuoso con una unidad o repuesto de reemplazo con características de funcionamiento comparables. La máxima responsabilidad del Fabricante en cualquier circunstancia se limitará al precio de compra del Calentador que pagó el Propietario.

Esta garantía limitada será la garantía exclusiva que el Fabricante otorga, y reemplaza todas las demás garantías, expresas o implícitas, escritas u orales, que incluyen pero no se limitan a las garantías de comerciabilidad o adecuación para un fin determinado. El Fabricante no será responsable de daños incidentales, indirectos o contingentes o gastos que surjan, de manera directa o indirecta, de cualquier defecto del Calentador o del uso del mismo. El Fabricante no será responsable por daños ocasionados por el agua o cualquier otro daño a la propiedad del Propietario que surja, de manera directa o indirecta, de cualquier defecto del Calentador o del uso del mismo. Solo el Fabricante está autorizado a conceder todas las garantías en representación del Fabricante, y ninguna declaración o garantía realizada por cualquier otra parte será vinculante para el Fabricante.

El Fabricante no será responsable de ningún daño relacionado o causado por:

1. cualquier uso indebido o falta de cuidado del Calentador, cualquier accidente que afecte al Calentador, cualquier alteración al Calentador, o cualquier otro uso incorrecto;
2. casos fortuitos o circunstancias sobre las cuales el Fabricante no tiene control;
3. instalación del Calentador que se desvíe de las directivas del Fabricante o no observe los códigos de construcción pertinentes;
4. negligencia en cuanto a mantener el Calentador u operar el Calentador según las especificaciones del Fabricante;
5. hacer funcionar el Calentador en condiciones de presión de agua fluctuante o en caso de que el Calentador se alimente de agua no potable durante un período de cualquier duración;

6. instalación defectuosa y/o uso de materiales inapropiados por parte de cualquier instalador y que no se relacione con defectos en los repuestos o la mano de obra del Fabricante;
7. mover el Calentador de su lugar original de instalación;
8. exposición a condiciones de congelamiento;
9. los problemas de calidad del agua, como el agua corrosiva, el agua dura y agua contaminada con contaminantes o aditivos;

Si el Propietario desea devolver el Calentador al Fabricante para su reparación o reemplazo bajo esta garantía, el Propietario debe obtener primero la autorización por escrito del Fabricante. El Propietario deberá presentar una prueba de compra, incluida la fecha de compra, y será responsable de los costos de desinstalación y transporte. Si el Propietario no puede demostrar una fecha de compra, esta garantía se limitará al período que comienza a partir de la fecha de compra impresa en el Calentador. El Fabricante se reserva el derecho de negar la cobertura de esta garantía después de examinar el Calentador. Esta garantía se limita al Propietario y es intransferible.

Algunos Estados y Provincias no permiten la exclusión o limitación de ciertas Garantías. En dichos casos, las limitaciones aquí expresadas pueden no aplicarse al Propietario. En dichos casos esta Garantía se limitará al período más corto y las menores cifras de daños permitidas por ley. Esta Garantía le da derechos legales específicos y puede que usted tenga otros derechos que variarán de Estado a Estado y de Provincia a Provincia.

El Propietario será responsable de todos los costos de mano de obra y otros cargos incurridos al retirar o reparar el Calentador en el lugar de instalación. Por favor obsérvese que el Calentador debe instalarse de tal manera que, en caso de pérdida, el flujo de agua de la pérdida no dañe el lugar en que está instalado.

Esta Garantía solo es válida en Estados Unidos y Canadá.

Las garantías pueden variar de un país a otro. Consulte a su representante de Stiebel Eltron local para conocer la Garantía correspondiente a su país.

## Medioambiente y reciclaje

Por favor ayúdenos a proteger el medioambiente eliminando el embalaje en concordancia con la normativa nacional para el tratamiento de residuos.

# INFORMATIONS GÉNÉRALES

<b>1.</b>	<b>Informations générales</b>	<b>42</b>
1.1	Légende des symboles	43
<b>2.</b>	<b>Consignes de sécurité</b>	<b>45</b>
<b>3.</b>	<b>Enregistrez votre produit</b>	<b>46</b>
<b>4.</b>	<b>Augmentation de la température au dessus de la température ambiante de l'eau</b>	<b>47</b>
<b>5.</b>	<b>Dessins techniques</b>	<b>48</b>
<b>6.</b>	<b>Présentation</b>	<b>51</b>
6.1	Description générale	51
6.2	Informations importantes avant de mettre l'appareil sous tension	52
6.3	Sortie d'eau chaude avec les aérateurs requis	52
6.4	Mauvaise utilisation	53
6.5	Premières choses à faire en cas de mauvais fonctionnement	53
6.6	Maintenance et entretien	54
<b>7.</b>	<b>Instructions d'installation et d'utilisation</b>	<b>54</b>
7.1	Monter l'appareil	54
7.2	Raccordements de plomberie	55
7.3	Connexion électrique	56
<b>8.</b>	<b>Première mise en fonction</b>	<b>57</b>
<b>9.</b>	<b>Passer la main</b>	<b>57</b>

<b>10.</b>	<b>Entretien normal</b>	<b>57</b>
<b>11.</b>	<b>Données techniques</b>	<b>58</b>
<b>12.</b>	<b>Résolution de problèmes</b>	<b>60</b>
<b>13.</b>	<b>Pièces détachées</b>	<b>61</b>
<b>14.</b>	<b>Garantie</b>	<b>62</b>

## 1. Informations générales

Veillez lire l'intégralité de ce mode d'emploi. Le fait de ne pas suivre tous les guides, toutes les instructions et règles peut entraîner des blessures ou des dommages matériels. Une installation, un réglage, une modification, une utilisation ou un entretien incorrects de cet appareil peut entraîner des blessures graves.

Cet appareil doit être installé par un électricien et un plombier agréés. L'installation doit être conforme à toutes les normes électriques et de plomberie nationales, d'état ou locales. La responsabilité d'installer cet appareil correctement incombe à l'installateur. Le non-respect des instructions de montage et d'utilisation ou une mauvaise utilisation annulent la garantie.

# INFORMATIONS GÉNÉRALES

Veillez conserver ces instructions pour référence ultérieure. L'installateur doit laisser ces instructions au consommateur.

Si vous avez des questions concernant l'installation ou l'utilisation de ce chauffe-eau, ou si vous avez besoin de manuels d'installations supplémentaires, veuillez appeler notre service technique au 800.582.8423 (depuis les États-Unis et le Canada uniquement). Si vous effectuez votre appel hors des États-Unis et du Canada, veuillez composer le ++413.247.3380 (numéro aux États-Unis) et nous vous dirigerons vers un représentant Stiebel Eltron qualifié proche de chez vous.



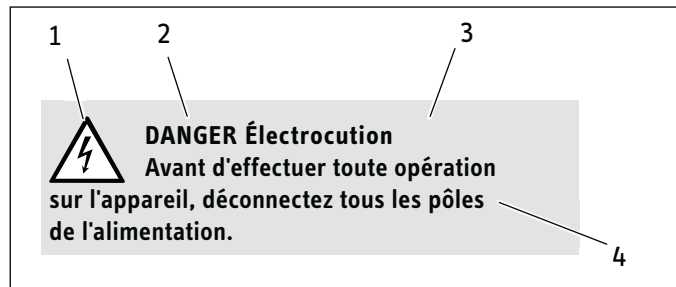
**Ceci est le symbole d'alerte de sécurité. Il sert à vous alerter d'un risque potentiel de blessure. Veuillez obéir à tous les messages précédés de ce symbole afin d'éviter toute blessure ou la mort.**

Le chapitre Utilisation est destiné aux propriétaires, plombiers-chauffagistes, et électriciens.

Le chapitre Installation est destiné aux plombiers-chauffagistes et aux électriciens uniquement.

## 1.1 Légende des symboles





### 1.1.1 Présentation des informations de sécurité



- 1 Symbole (Voir 1.1.2 « Symboles », dessous)
- 2 Mot-clé (Voir la section 1.1.3, « Mots-clés », p. 44)
- 3 Dénominations (Voir 1.1.2 « Symboles », dessous)
- 4 Informations

# INFORMATIONS GÉNÉRALES

## 1.1.2 Symboles

Symbole	Dénominations
	Blessure
	Électrocution
	Brûlures
	Autres situations

## 1.1.3 Mots-clés

MOT-CLÉ	
DANGER	Le mot-clé « DANGER » indique que les informations doivent être observées. Si elles ne le sont pas, il en résultera une blessure ou la mort.
AVERTISSEMENT	Le mot-clé « AVERTISSEMENT » indique que les informations doivent être observées. Si elles ne le sont pas, il en résultera une blessure ou la mort.
ATTENTION	Le mot-clé « ATTENTION » indique que les informations doivent être observées. Si elles ne le sont pas, il pourra en résulter des blessures relativement graves ou légères, ou la mort.

# CONSIGNES DE SÉCURITÉ

## 2. Consignes de sécurité



**Veuillez lire et suivre les instructions suivantes. Le non-respect de ces instructions peut entraîner des blessures graves ou la mort.**

L'appareil doit être installé par un électricien et un plombier agréés. L'installation doit être conforme à toutes les normes électriques et de plomberie nationales, d'état ou locales.

La maintenance de l'appareil doit être effectuée par des techniciens qualifiés.



**DANGER : Avant de commencer toute installation, modification, tout entretien ou réglage de cet appareil, tous les disjoncteurs et sectionneurs desservant l'appareil doivent être éteints. Le non-respect de cette consigne peut entraîner des blessures graves ou la mort.**



**DANGER : Ne jamais retirer le couvercle de l'appareil sans avoir au préalable coupé le courant électrique le desservant. Le non-respect de cette consigne peut entraîner des blessures graves ou la mort.**



**AVERTISSEMENT : L'appareil doit être correctement mis à la terre. Le fait de ne pas relier l'appareil à la terre peut entraîner des blessures graves ou la mort.**



**DANGER : L'eau à des températures supérieures à 52 °C (125 °F) peut causer de graves brûlures instantanément ou même la mort. Le risque de brûlure à l'eau chaude existe si le rendement de l'unité est trop élevée. Dans les habitations avec des enfants en bas âge, des personnes handicapées ou âgées, peuvent nécessiter l'installation d'une vanne de mélange pour fournir une température de l'eau à 49 °C (120 °F) ou moins, afin de prévenir les risques de blessures dues à l'eau chaude.**

---

## ENREGISTREZ VOTRE PRODUIT

---

### 3. Enregistrez votre produit



**Vous devez enregistrer ce produit dans les 90 jours suivant l'achat sur notre site web pour activer la garantie standard ou pour être admissible à la garantie prolongée. Allez sur notre site web, [www.stiebel-eltron-usa.com](http://www.stiebel-eltron-usa.com) et cliquez sur enregistrer votre produit.**

Avant d'entamer l'enregistrement du produit, nous vous conseillons de rassembler toutes les informations nécessaires comme suit :

**Type, Exemple : Mini 3-1 (voir l'étiquette blanche sur le côté droit de l'appareil)**

**Numéro inscrit après « Nr. »**

**Lieu de l'achat**

**Date de l'achat**

**Nom et prénom**

**Adresse e-mail**

**Adresse postale**

**Numéro de téléphone**

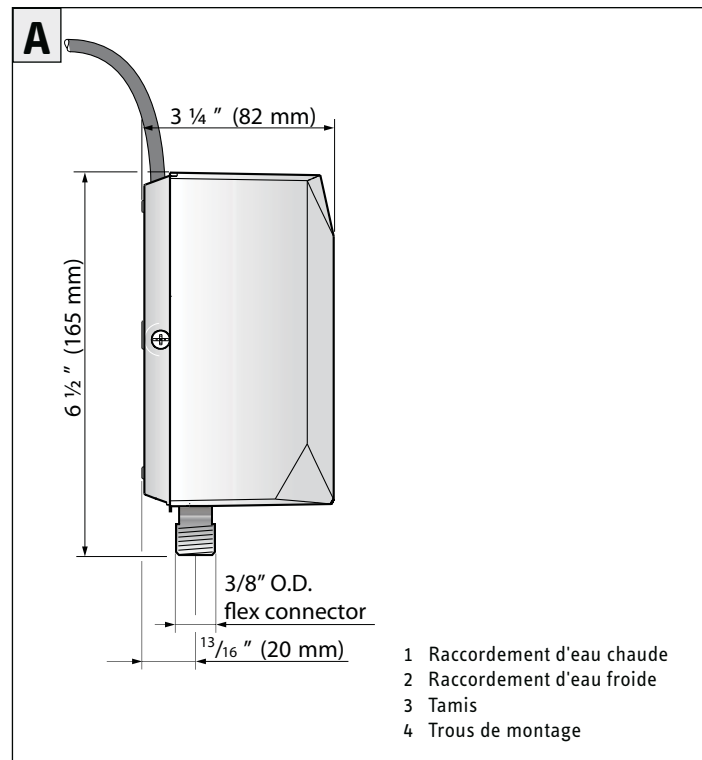
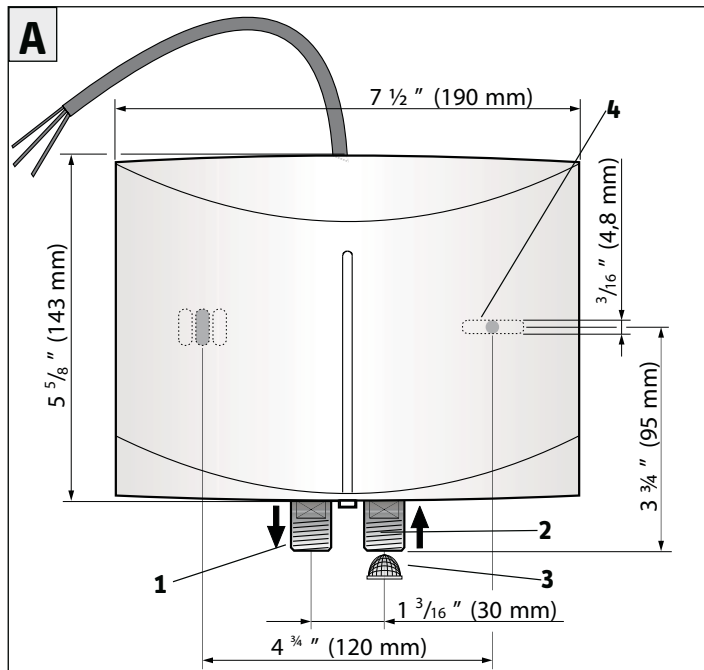
**Pour toute question concernant l'enregistrement du produit ou les options de garantie, veuillez contacter Stiebel Eltron USA directement au 800.582.8423.**

## 4. Augmentation de la température au dessus de la température ambiante de l'eau

Appareil	Puissance	Hausse de température (°F)								Hausse de température (°C)							
		GPM								l/m							
		0,32	0,42	0,48	0,53	0,69	0,85	1,06	1,14	1,2	1,6	1,8	2,0	2,6	3,2	4,0	4,3
Mini 2-1	1,8 kW @ 110-120 V	39	-	-	-	-	-	-	-	22	-	-	-	-	-	-	-
Mini 2.5-1	2,4 kW @ 110-120 V	-	39	34	33	24	-	-	-	-	22	19	17	13	-	-	-
Mini 3-1	3,0 kW @ 110-120 V	-	49	43	41	30	-	-	-	-	27	24	22	17	-	-	-
Mini 3.5-1	3,5 kW @ 110-120 V	-	57	50	45	35	-	-	-	-	31	28	25	19	-	-	-
Mini 4-2	3,5 kW @ 220-240 V	-	57	50	45	35	-	-	-	-	31	28	25	19	-	-	-
Mini 6-2	5,7 kW @ 220-240 V	-	-	-	-	-	46	37	34	-	-	-	-	-	25,5	20,4	19,0

\* L'Mini 2-1 est limité 1,2 l/min (0,32 gpm)

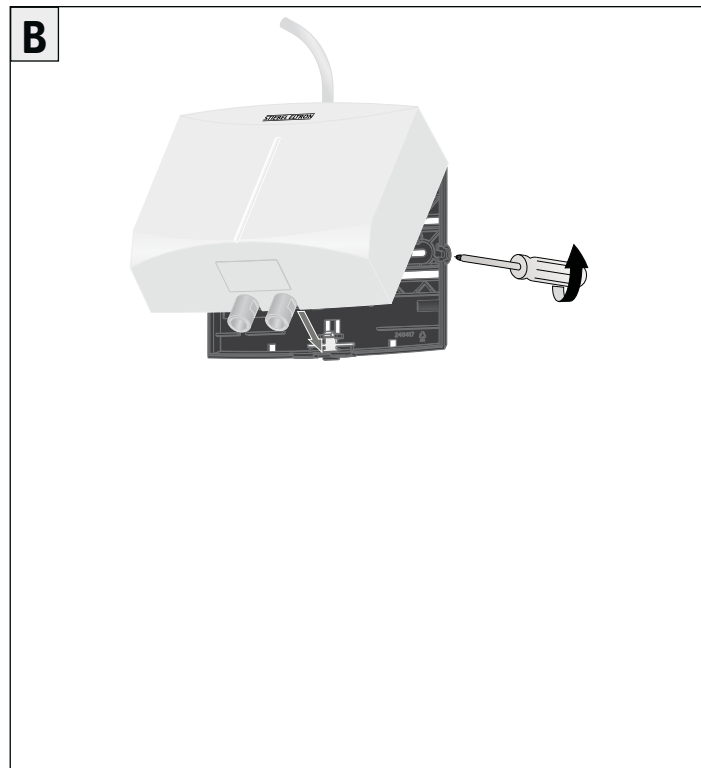
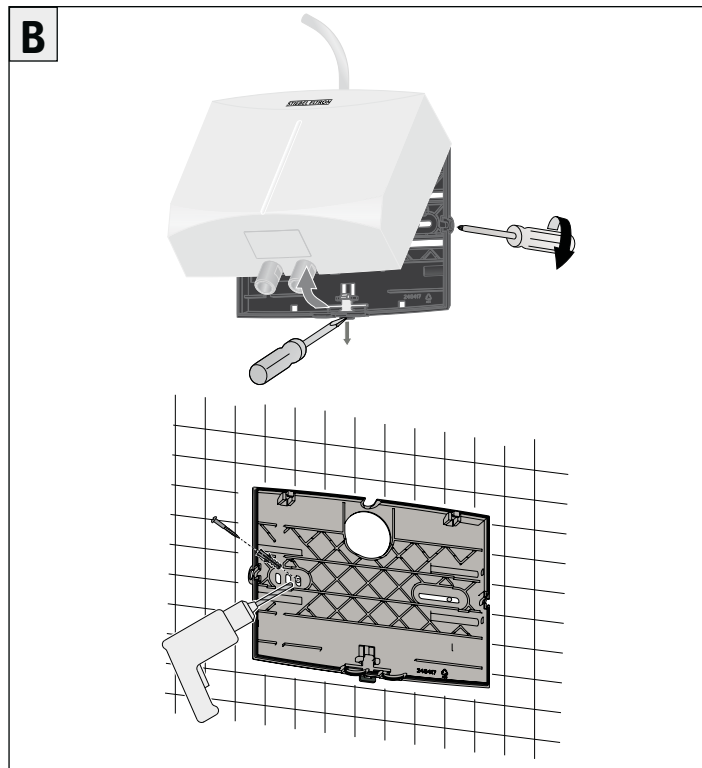
## 5. Dessins techniques



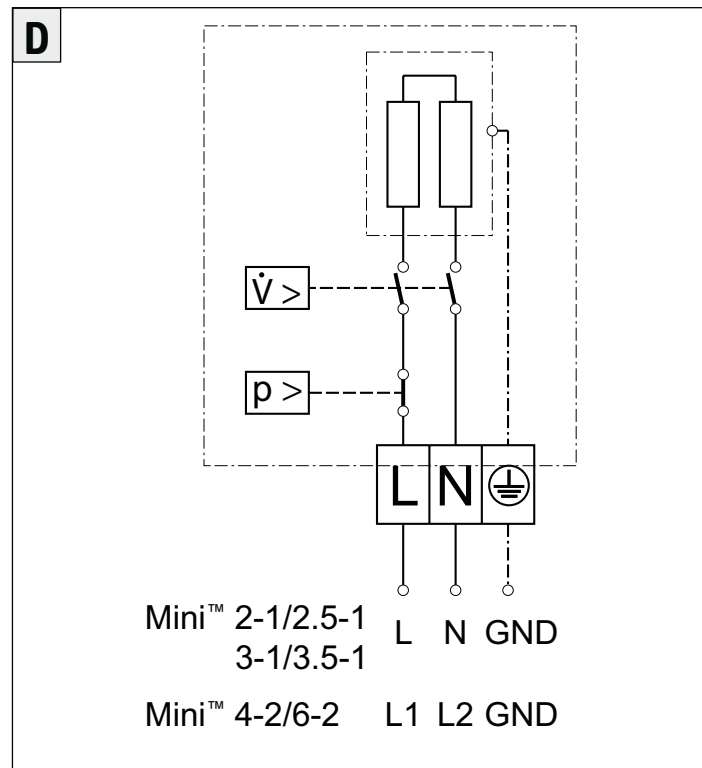
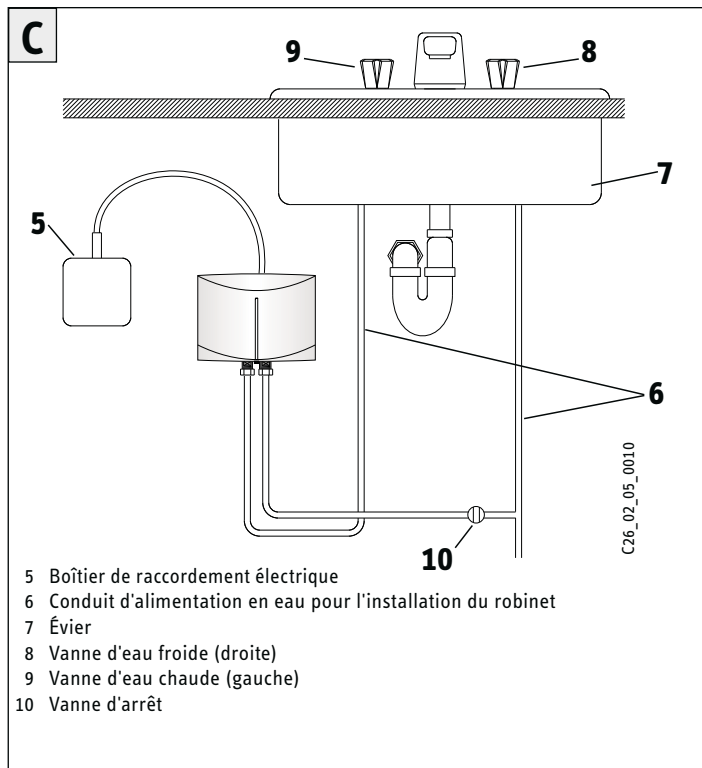
- 1 Raccordement d'eau chaude
- 2 Raccordement d'eau froide
- 3 Tamis
- 4 Trous de montage



## DESSINS TECHNIQUES



# DESSINS TECHNIQUES





Il est indispensable de lire ce manuel attentivement avant de tenter d'installer le chauffe-eau Mini Si vous ne suivez pas les règles de sécurité ou les instructions décrites dans ce manuel, l'appareil pourrait ne pas fonctionner correctement et causer des dégâts matériels, des blessures graves et / ou la mort.

Stiebel Eltron ne sera pas responsable des dommages dus au non-respect des instructions d'installation et d'utilisation décrites dans ce manuel ou à une mauvaise utilisation. Les mauvaises utilisations comprennent le fait de chauffer tout liquide autre que de l'eau. Le non-respect des instructions d'installation et d'utilisation ainsi qu'une mauvaise utilisation annulent la garantie. Ne jamais ouvrir le capot de l'appareil sans avoir au préalable coupé l'électricité.

Pour toute question concernant l'installation ou l'utilisation de ce chauffe-eau, ou si vous avez besoin de manuels d'installation supplémentaires, veuillez contacter notre service technique au 800.582.8423 (USA et Canada uniquement). Si vous effectuez votre appel hors des États-Unis ou du Canada, veuillez appeler le ++413.247.3380 (USA) et nous vous dirigerons vers un représentant Stiebel Eltron qualifié proche de chez vous.

## 6. Présentation

### 6.1 Description générale

Le chauffe-eau sans réservoir Mini comporte plusieurs différences avec les chauffe-eau traditionnels avec stockage. Il n'emmagasine pas d'eau chaude. Au lieu de cela, l'eau est chauffée instantanément en passant à travers l'appareil. De puissants éléments de chauffage sont activés par un contacteur débitmétrique lorsque l'eau arrive depuis le robinet d'eau chaude raccordé à l'Mini. L'absence de perte à vide rend l'Mini plus rentable que les chauffe-eau à réservoir sur le plan énergétique. L'appareil délivre constamment de l'eau chaude à partir du moment où le robinet est ouvert.

La température de l'eau chaude délivrée par l'Mini dépend de la puissance électrique de l'élément de chauffage, de la température de l'eau froide arrivant dans l'appareil, et du débit d'eau à travers l'appareil. Pour que l'Mini fonctionne correctement, il doit être bien adapté à son application.

Si vous avez des questions concernant l'utilisation que vous allez faire de l'Mini, veuillez contacter notre service technique au 800.582.8423 (USA et Canada). Pour toute assistance en dehors des États-Unis et du Canada, composez le ++413.247.3380 (USA). Vous pouvez aussi nous écrire à [info@stiebel-eltron-usa.com](mailto:info@stiebel-eltron-usa.com) ou nous envoyer un fax au 413.247.3369.

# PRÉSENTATION

Aux États-Unis et au Canada, l'Mini peut être mis en application pour se laver les mains dans les contextes suivants :

- Lavabos des toilettes dans des locaux industriels/commerciaux ou des maisons
- Cuisines dans des locaux industriels/commerciaux et des maisons
- Cabanes
- Utilisations spéciales dans des ateliers de développement photo, laboratoires, etc.

L'Mini peut également être utilisé pour des maisons et appartements entiers dans les régions au climat chaud tels que les Caraïbes, l'Amérique centrale et le Mexique car la température ambiante de l'eau y est plus élevée.

## 6.2 Informations importantes avant de mettre l'appareil sous tension



La présence d'air dans le conduit d'eau froide détruira le système de chauffage à Advanced Direct Coil™ de l'Mini. Si l'approvisionnement en eau de l'Mini est interrompu, par exemple à cause d'un risque de gel ou de travaux sur le conduit d'eau, il faudra faire ce qui suit avant de réutiliser l'appareil.

- » 1. Coupez le disjoncteur.

- » 2. Ouvrez un robinet d'eau chaude en aval de l'appareil et laissez couler l'eau jusqu'à ce qu'il n'y ait plus d'air dans l'appareil et dans le conduit d'eau froide.
- » 3. Rallumez le disjoncteur.

Toutes les instructions d'utilisation et d'installation de ce manuel doivent être suivies attentivement. Elles contiennent des informations importantes concernant la sécurité, l'utilisation de l'appareil, son installation et son entretien.

## 6.3 Sortie d'eau chaude avec les aérateurs requis

Modèle	Puissance à tension nominale max.	Débit d'eau chaude typique avec l'aérateur requis installé <sup>†</sup>
Mini 2-1*	1,8 kW	1,2 l/min (0,32 gpm)
Mini 2.5-1	2,4 kW	1,9 l/min (0,50 gpm)
Mini 3-1	3,0 kW	1,9 l/min (0,50 gpm)
Mini 3.5-1, 4-2	3,5 kW	2,5 / 1,9 l/min (0,66 / 0,50 gpm)
Mini 6-2	5,7 kW	3,8 l/min / 1,0 gpm

Tous les modèles Mini sont fournis avec aérateurs / réducteurs de débit de taille appropriée qui doit être installé.

# PRÉSENTATION

- \* Mini 2-1 est limitée en interne à 1,2 l/min (0,32 gpm).
- † Mini 2-1 navire avec une pression de 1,3 l/min (0,35 gpm) compensant flux réducteur/aérateur qui doit être installé.
- † Mini 2.5-1, 3-1 navire avec une pression de 1,9 l/min (0,5 gpm) compensant flux réducteur/aérateur qui doit être installé.
- † Mini 3.5-1, 4-2 navire avec 2 réducteurs de débit / aérateurs, il faut en installer un. Installez l'aérateur à 0,66 gpm et testez la température de l'eau. Si l'eau n'est pas assez chaude, retirez l'aérateur de 0,66 gpm et installez l'aérateur de 0,5 gpm à sa place.
- † Mini 6-2 navire avec une pression de 3,8 l/min (1,0 gpm) compensant flux réducteur/aérateur qui doit être installé.

## 6.4 Mauvaise utilisation

Ce qui suit est interdit et annule la garantie d'usine :

- Installation de l'appareil dans un endroit à risque de gel
- Installation dans des pièces où l'appareil risque une explosion due à des poussières, gaz ou vapeurs
- Ignorer les distances et les zones de sécurité
- Connexion électrique incorrecte
- Utilisation sans que l'eau ne coule à travers l'appareil, ou avec de l'air dans les tuyaux (Voir la section 8, « Première mise en fonction », p. 57)

- Utilisation de l'appareil sans le couvercle
- Chauffer des liquides autres que l'eau potable

## 6.5 Premières choses à faire en cas de mauvais fonctionnement



**AVERTISSEMENT : Coupez toujours l'alimentation en eau et en électricité de l'appareil avant de retirer le tamis. Le non-respect de cette consigne peut causer de graves blessures corporelles ou la mort.**

- » Vérifiez le disjoncteur
- » Regardez si le tamis est bloqué par du tartre ou s'il y a accumulation de poussière. (Voir la section 12, « Résolution de problèmes », p. 61.)

## 6.6 Maintenance et entretien



Tout travail de maintenance, comme la vérification de la sûreté électrique par exemple, ne peut être effectué que par un installateur qualifié.



**AVERTISSEMENT :** Coupez toujours l'alimentation en eau et en électricité de l'appareil avant de retirer le tamis. Le non-respect de cette consigne PEUT causer de graves blessures corporelles ou la mort.

Nettoyez et détartrez régulièrement le tamis situé dans le raccordement d'arrivée d'eau froide, et remplacez-le si nécessaire. Coupez toujours l'alimentation en eau et en électricité de l'appareil avant de retirer le tamis.

Pour nettoyer le boîtier, utilisez simplement un chiffon humide. Ne pas utiliser de produits nettoyants abrasifs ou corrosifs.

## 7. Instructions d'installation et d'utilisation



Veillez conserver ce manuel et le donner à votre successeur si le propriétaire venait à changer. Si vous faites des travaux de maintenance ou des réparations potentielles, il devrait être donné à l'installateur qualifié pour qu'il puisse s'y référer.

### 7.1 Monter l'appareil



L'appareil doit être installé avec les raccordements de plomberie orientés vers le bas ou le haut uniquement.



**AVERTISSEMENT :** ne pas installer l'appareil dans un endroit où il sera fréquemment éclaboussé d'eau. Cela pourrait entraîner une électrocution ou la mort.

- » 1. Installez l'Mini aussi près que possible de l'arrivée d'eau chaude, par exemple directement sous l'évier ou à côté de la cabine de douche.
- » 2. Installez l'Mini à l'abri du gel. Si le gel est une possibilité, retirez l'appareil avant l'arrivée des températures en dessous de zéro.

# INSTRUCTIONS D'INSTALLATION ET D'UTILISATION

- » 3. Laissez un espace de 13 cm (5 po.) minimum de chaque côté de l'appareil pour permettre la maintenance.
  - » 4. Enlevez le couvercle en plastique en retirant les vis situées sur les côtés droits et gauche de l'appareil **B**.
  - » 5. Retirez la plaque arrière en plastique en tirant sur la languette avec un tournevis **B**.
  - » 6. Fixez solidement la plaque arrière au mur en passant deux vis à travers les trous de montage **A B**.
  - » 7. Repositionnez l'appareil sur la plaque de montage **B**.
  - » 8. Remplacez le couvercle avec les vis sur les côtés gauche et droit de l'appareil **B**.
- » 1. Tout travail de plomberie doit se conformer aux lois nationales, d'état et locales en vigueur concernant la plomberie.
  - » 2. Si la pression de l'arrivée d'eau froide dépasse 10 bar (150 psi), un détendeur de pression doit être installé.
  - » 3. Assurez-vous bien que le conduit d'arrivée d'eau froide a été purgé pour en retirer le tartre et la saleté.
  - » 4. Installez la vanne d'isolement sur l'arrivée d'eau froide comme décrit sur l'illustration. Cela permet d'isoler l'appareil pour les travaux d'entretien.
  - » 5. Le raccordement d'eau froide (arrivée) est sur le côté droit de l'appareil, le raccordement d'eau chaude (sortie) est sur le côté gauche de l'appareil.
  - » 6. Les chauffe-eau sans réservoir tels que l'Mini ne doivent pas obligatoirement être équipés d'une soupape de sûreté à pression et température (sauf dans le Massachusetts). Dans le cas où l'inspecteur local ne validerait pas l'installation sans une soupape P et T, il faudra en installer une sur la sortie d'eau chaude de l'appareil.
  - » 7. L'Mini est conçu pour être raccordé à un tuyau tressé en acier inoxydable avec une sortie tubulaire OD de 3/8 po.
  - » 8. Lorsque le travail de plomberie est terminé, vérifiez qu'il n'y a pas de fuites et corrigez tout défaut avant de continuer.

## 7.2 Raccordements de plomberie



**REMARQUE :** S'il est nécessaire de faire une soudure près de l'appareil, veuillez diriger la flamme en direction opposée de l'appareil pour ne pas l'endommager. Une chaleur excessive due à une soudure sur les tuyaux en cuivre près de l'Mini peut l'endommager.

Tout travail de plomberie doit se conformer aux lois nationales, d'état et locales en vigueur concernant la plomberie.

## 7.3 Connexion électrique



**AVERTISSEMENT :** Avant de commencer l'installation électrique, assurez-vous que l'interrupteur principal du panneau du disjoncteur est sur « off » pour éviter tout danger d'électrocution. Le non-respect de cette consigne peut entraîner des blessures graves ou la mort. Il est obligatoire de fixer l'appareil et de terminer tout travail de plomberie avant de commencer les travaux d'électricité. La ou cela est exigé par les lois locales, de l'état ou nationales concernant l'électricité, le circuit doit être équipé d'un disjoncteur de fuite à la terre.

**AVERTISSEMENT :** Comme pour tout appareil électrique, le fait de ne pas relier l'appareil à la terre peut causer des blessures graves ou la mort.

**ATTENTION :** Si vous installez un Mini 2-1, Mini 2.5-1, Mini 3-1, ou Mini 3.5-1 sur un circuit 208 V ou 220-240 V, cela détruira l'élément de chauffage. Cela est considéré comme une installation incorrecte et annulera la garantie d'usine.

### 7.3.1 Câblage

Pour les unités 120 V, le fil marron de la queue de cochon doit être raccordé à L (sous tension), le fil bleu à N (neutre) et le fil vert / jaune à la masse GND.

Pour les unités 208/240 V, le fil marron de la queue de cochon doit être raccordé à L1, le fil bleu à L2 et le fil vert / jaune à la masse GND.

### 7.3.2 Tension

Modèle	Tension
Mini 2-1	110-120 V
Mini 2.5-1	110-120 V
Mini 3-1	110-120 V
Mini 3.5-1	110-120 V
Mini 4-2	220-240 V, 208 V
Mini 6-2	220-240 V, 208 V

1. Tout travail d'électricité doit se conformer aux lois nationales, d'état et locales en vigueur concernant l'électricité.
2. L'Mini doit être raccordé à un circuit de dérivation dédié à l'appareil et correctement mis à la terre, et de tension appropriée. Dans le cas d'une installation de plusieurs appareils Mini, chaque appareil doit



## PREMIÈRE MISE EN FONCTION

être sur un circuit indépendant. Veuillez vous référer au tableau de données techniques pour déterminer la taille correcte des câbles et du disjoncteur.

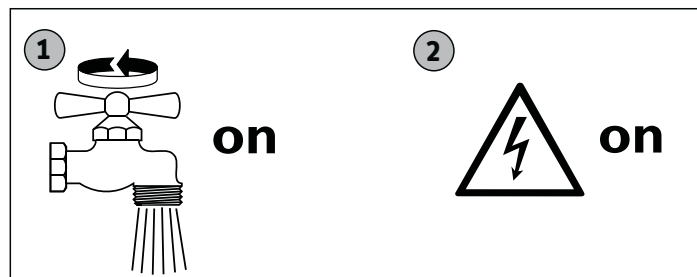
3. Passez les bouts dénudés dans un boîtier de raccordement électrique. Passez ensuite les câbles dans un collier de serrage et serrez-les pour les maintenir en place.

4. Remplacez le couvercle en plastique.

### 8. Première mise en fonction



**AVERTISSEMENT :** Ouvrez le robinet d'eau chaude pendant quelques minutes jusqu'à ce que l'eau s'écoule de façon continue et que tout l'air contenu dans les tuyaux d'eau en soit purgé. Le couvercle en plastique doit être installé avant de rebrancher le disjoncteur.



### 9. Passer la main

Expliquez les fonctions de l'appareil à l'utilisateur pour qu'il ou elle se familiarise avec son utilisation.

Instructions importantes :

- » Attirez l'attention de l'utilisateur sur les dangers potentiels (brûlures).
- » Veuillez lui donner ces instructions pour référence ultérieure.
- » Pour obtenir une température convenable dans le cas d'un robinet mélangeur à un seul bec, limitez le débit d'eau froide en fermant partiellement la vanne d'eau froide située sous l'évier jusqu'à ce que les débits d'eau froide et d'eau chaude soient approximativement les mêmes.

### 10. Entretien normal



**ATTENTION : Exception faite du tamis, aucun des composants de l'Mini ne peut être entretenu par quelqu'un d'autre qu'un expert. En cas de mauvais fonctionnement, veuillez contacter un électricien ou un plombier agréé.**

Les chauffe-eau sans réservoir Mini d'Stibel Eltron sont conçus pour une durée de vie très longue. La durée de vie réelle dépendra de l'utilisation et de la qualité de l'eau. Afin de garantir un débit d'eau constant, nous recommandons de retirer régulièrement le tartre et la saleté qui peuvent s'accumuler au niveau de l'aérateur du robinet ou dans le pommeau de douche. L'Mini a également un tamis qui doit être nettoyé de temps en temps. Pour faire cela, fermez l'arrivée d'eau froide au niveau de la vanne d'isolement. Nettoyez le tamis et replacez-le dans sa position d'origine.

## 11. Données techniques

	Mini™ 2-1*	Mini™ 2.5-1	Mini™ 3-1	Mini™ 3.5-1	Mini™ 4-2	Mini™ 6-2
Numéro de l'article	231045	232098	220816	232099	222039	220817
<b>Données électriques</b>						
Phase	1 - 50/60 Hz					
Tension <sup>1</sup>	110-120 V	110-120 V	110-120 V	110-120 V	220-240 V 208 V	220-240 V 208 V
Puissance	1,8 kW	2,4 kW	3,0 kW	3,5 kW	3,5 kW 2,6 kW	5,7 kW 4,3 kW
Charge maximale	15 A	20 A	25 A	29 A	15 A 13 A	24 A 21 A
Taille requise disjoncteur <sup>2</sup> (bipolaire)	15 A	20 A	25 A	30 A	15 A	25 A
Taille de câble requise, cuivre <sup>3</sup>	14 AWG	12 AWG	10 AWG	10 AWG	14 AWG	10 AWG
<b>Raccordements</b>						
Raccords hydraulique <sup>4</sup>	Acier inoxydable avec une sortie tubulaire OD de 7,6 cm (3/8 po)					
<b>Limites d'utilisation</b>						
Pression max. admissible	10 bar (150 psi)					
Plage de temp. d'arrivée recommandée	5-25 °C (41-77 °F)					
Débit d'eau min. pour activer l'appareil	0,8 l/min (0,21 gpm)	1,5 l/min (0,40 gpm)	1,5 l/min (0,40 gpm)	1,5 l/min (0,40 gpm)	1,5 l/min (0,40 gpm)	2,9 l/min (0,77 gpm)

\* Mini 2-1 est limitée en interne à 1,2 l/min (0,32 gpm).

<sup>1</sup> Tension nominale comprise entre 110-120 V et 220-240 V.

<sup>2</sup> Ceci est notre recommandation pour la protection de surintensité à 100% de la charge. Vérifiez les codes locaux de la conformité si nécessaire. Les chauffe-eau sans réservoir sont considérés comme une charge non continue.

<sup>3</sup> Le cuivre doit être utilisé. Les conducteurs doivent être choisis pour maintenir une baisse de tension inférieur à 3% sous tension.

<sup>4</sup> Convenant pour l'alimentation en eau froide.

## DONNÉES TECHNIQUES

	Mini™ 2-1*	Mini™ 2.5-1	Mini™ 3-1	Mini™ 3.5-1	Mini™ 4-2	Mini™ 6-2
Divers						
Système de chauffage	Fil Nichrom					
Couleur	Blanc					
Réducteurs de débit / aérateurs qui doit être installé	1,3 l/min (0,35 gpm)	1,9 l/min (0,5 gpm)	1,9 l/min (0,5 gpm)	2,5 l/min (0,66 gpm) 1,9 l/min (0,5 gpm)	2,5 l/min (0,66 gpm) 1,9 l/min (0,5 gpm)	3,8 l/min (1,0 gpm)
Dimensions						
Hauteur	143 mm (6 <sup>1</sup> / <sub>2</sub> po)					
Largeur	190 mm (7 <sup>1</sup> / <sub>2</sub> po)					
Profondeur	82 mm (3 <sup>1</sup> / <sub>4</sub> po)					
Poids						
Poids	1,5 kg (3,3 lbs)					

Mini 3.5-1 4-2 navire avec 2 réducteurs de débit / aérateurs, il faut en installer un. Installez l'aérateur à 0,66 gpm et testez la température de l'eau. Si l'eau n'est pas assez chaude, retirez l'aérateur de 0,66 gpm et installez l'aérateur de 0,5 gpm à sa place.

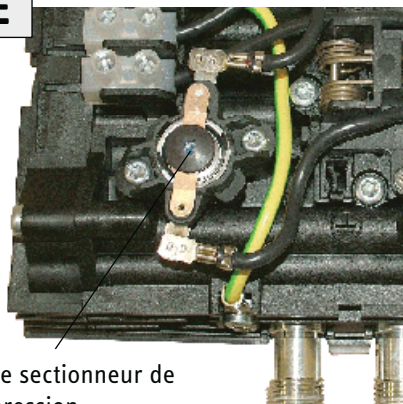


### **DANGER: Électrocution**

**N'essayez pas de réinitialiser l'interrupteur de pression de sécurité de ce chauffe-eau à moins que l'alimentation ait été complètement coupée au disjoncteur.**

## 12. Résolution de problèmes

**E**

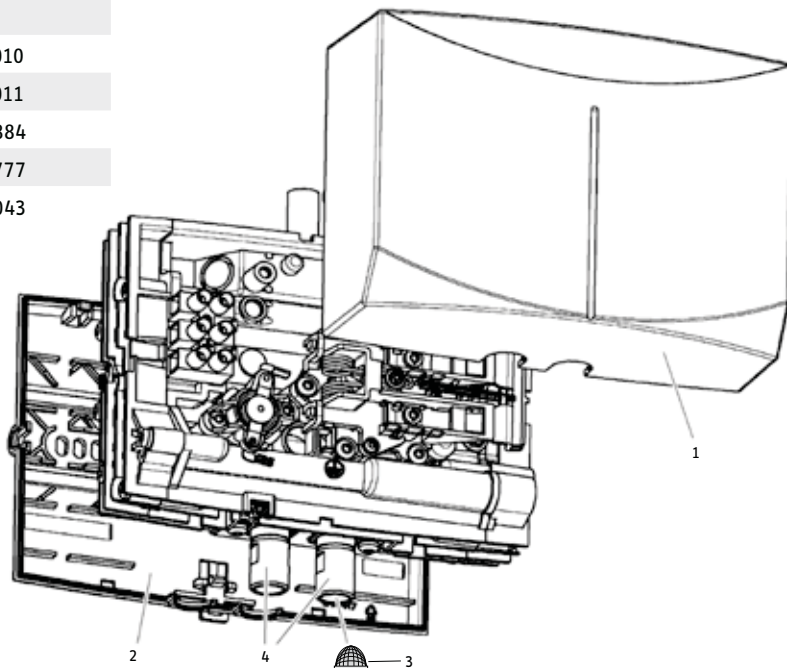


Le sectionneur de pression

Symptôme	Cause possible	Solution
Pas d'eau chaude malgré un robinet d'eau chaude grand ouvert.	Pas d'électricité.	Vérifiez le disjoncteur et contrôlez la tension au bloc de câblage.
	Le débit d'activation nécessaire à l'allumage de l'élément de chauffage n'a pas été atteint.	<ul style="list-style-type: none"><li>- Nettoyez le tamis.</li><li>- Nettoyez l'aérateur installé au robinet.</li></ul>
	Le sectionneur de pression s'est déclenché	<ul style="list-style-type: none"><li>- Déconnectez les disjoncteurs</li><li>- Ouvrez la vanne d'eau chaude pour relâcher la pression de l'appareil</li><li>- Réinitialisez le sectionneur de pression de sécurité <b>E</b></li><li>- Connectez les disjoncteurs</li></ul>

## 13. Pièces détachées

Pièce détachée (tous les modèles Mini™)	No.
1 Carter (arrière)	271010
2 Carter (avant)	271011
3 Tamis	272884
4 Raccordements d'eau	272777
5 Joints toriques (non représenté ici)	083043



## 14. Garantie

Sous réserve du respect des termes et conditions définis dans la présente garantie à vie limitée, Stiebel Eltron, Inc. (ci-après, le « Fabricant ») garantit à l'acheteur d'origine (ci-après le « Propriétaire ») que tous les chauffe-eau électrique sans réservoir (ci-après, le « Chauffe-eau ») ne doit pas (i) des fuites dues à des défauts de matériaux ou de fabricant de fabrication pendant une période de dix (10) ans à compter de la date d'achat ou (ii) l'échec en raison de défauts dans les matériaux ou de fabrication du fabricant pour une période de trois (3) ans à compter de la date d'achat. Le seul et unique recours du propriétaire dans le cadre de la garantie susmentionnée sera pour le Propriétaire de soit réparer en usine, soit remplacer le Chauffe-eau défectueux (à la discrétion du fabricant) avec soit un appareil de rechange, soit une ou des pièces ayant les mêmes caractéristiques d'exploitation. La responsabilité financière maximale du Fabricant ne pourra en aucun cas aller au-delà du prix d'achat du le Chauffe-eau.

Cette garantie limitée représente la seule garantie accordée par le fabricant et annule toute les autres garanties, orales ou écrites, expresses ou implicites, y compris, mais sans y être limitées les garanties de qualité marchande ou d'aptitude à un usage particulier. Le fabricant rejette toute responsabilité pour les dommages ou frais indirects, consécutifs ou autres résultant directement ou indirectement de tout vice présent dans le chauffe-eau ou survenu lors de l'usage du Chauffe-eau. Le fabricant rejette toute responsabilité pour tout dégât des eaux ou tout autre dégât matériel encouru par le propriétaire, résultant directement ou indirectement de tout vice présent dans le Chauffe-eau ou survenu lors de l'usage du Chauffe-eau. Seul le Fabricant est autorisé à énoncer les garanties au nom du Fabricant et aucune déclaration, garantie ou autre document énoncé par une tierce partie ne saurait engager la responsabilité du Fabricant.

Le Fabricant rejette toute responsabilité pour tout dommage causé par ou en relation avec :

1. toute mauvaise utilisation ou négligence du chauffe-eau, tout accident subi par le chauffe-eau, toute modification du chauffe-eau ou tout autre usage non prévu,
2. les calamités naturelles ou toute autre circonstance sur laquelle le fabricant n'a aucun contrôle,
3. l'installation du chauffe-eau autre que conformément aux directives du fabricant et autre que conformément aux codes de la construction en vigueur,
4. le non-respect des procédures d'entretien du chauffe-eau ou l'utilisation du chauffe-eau non conformes aux directives du fabricant,
5. l'utilisation du chauffe-eau avec une pression d'eau irrégulière ou dans le cas où le chauffe-eau serait alimenté en eau non potable pour toute durée que ce soit,

6. une installation incorrecte ou l'utilisation de matériaux incorrects par un installateur et sans relation avec les vices de fabrication ou de matériel du fabricant,
7. déplacer le Chauffe-eau de son lieu d'installation d'origine;
8. l'exposition au gel,
9. problèmes de qualité de l'eau comme l'eau corrosive, l'eau dure et de l'eau contaminée par de polluants ou des additifs,

Si le Propriétaire désire renvoyer le Chauffe-eau au Fabricant pour qu'il soit réparé ou remplacé dans le cadre de cette Garantie, le Propriétaire doit d'abord obtenir l'autorisation écrite du Fabricant. Le Propriétaire doit apporter la preuve d'achat, y compris la date d'achat, et sera responsable de tous les frais de transport et de dépose. Si le Propriétaire ne peut pas apporter la preuve de la date d'achat, cette Garantie sera limitée à la période commençant à la date de fabrication estampée sur le Chauffe-eau. Le Fabricant se réserve le droit de rejeter toute couverture de la Garantie à la suite d'une inspection du Chauffe-eau par le Fabricant. Cette Garantie ne s'applique qu'au propriétaire et ne peut pas être transférée.

Certains États et Provinces n'autorisent pas l'exclusion ou la limitation de certaines garanties. Dans ce cas, les limites ci-mentionnées peuvent ne pas s'appliquer au propriétaire. Dans ce cas, la Garantie sera limitée à la période la plus courte et aux dommages et intérêts les plus faibles autorisés par la loi. Cette garantie vous octroie des droits légaux spécifiques. Il est toutefois possible que vous ayez d'autres droits en fonction de votre juridiction.

Le Propriétaire sera responsable de tous les frais de main-d'œuvre et autres encourus lors de la dépose ou de la réparation du Chauffe-eau sur le chantier. Veuillez également noter que le Chauffe-eau doit être installé de sorte qu'en cas de fuite, l'eau qui s'écoule doit couler de façon à ne pas endommager l'endroit où il est installé.

Cette garantie n'est valide que pour le Canada et les États-Unis. Les garanties varient en fonction du pays. Veuillez vous adresser à votre représentant local Stiebel Eltron pour plus de détails sur la garantie s'appliquant à votre pays.

## Environnement et recyclage

Veuillez nous aider à protéger l'environnement en mettant les matériaux d'emballage au rebut conformément aux règlements nationaux relatifs au traitement des déchets.

**United States of America**

STIEBEL ELTRON, Inc.

17 West Street | West Hatfield, MA 01088

Tel. 0413 247-3380 | Fax 0413 247-3369

Toll-free 800.582.8423

[info@stiebel-eltron-usa.com](mailto:info@stiebel-eltron-usa.com)

[www.stiebel-eltron-usa.com](http://www.stiebel-eltron-usa.com)

**STIEBEL ELTRON**

A 270578-44365-9744