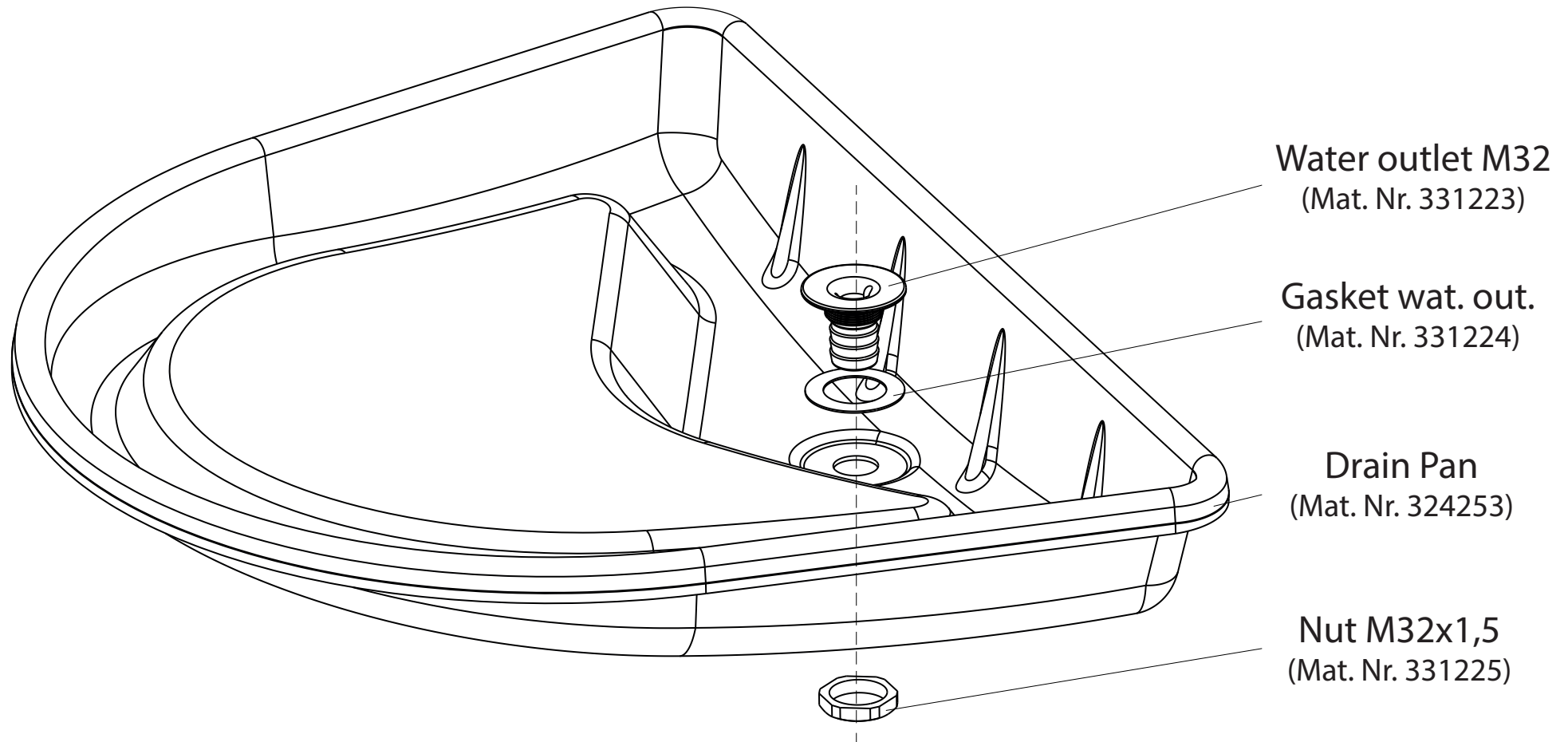
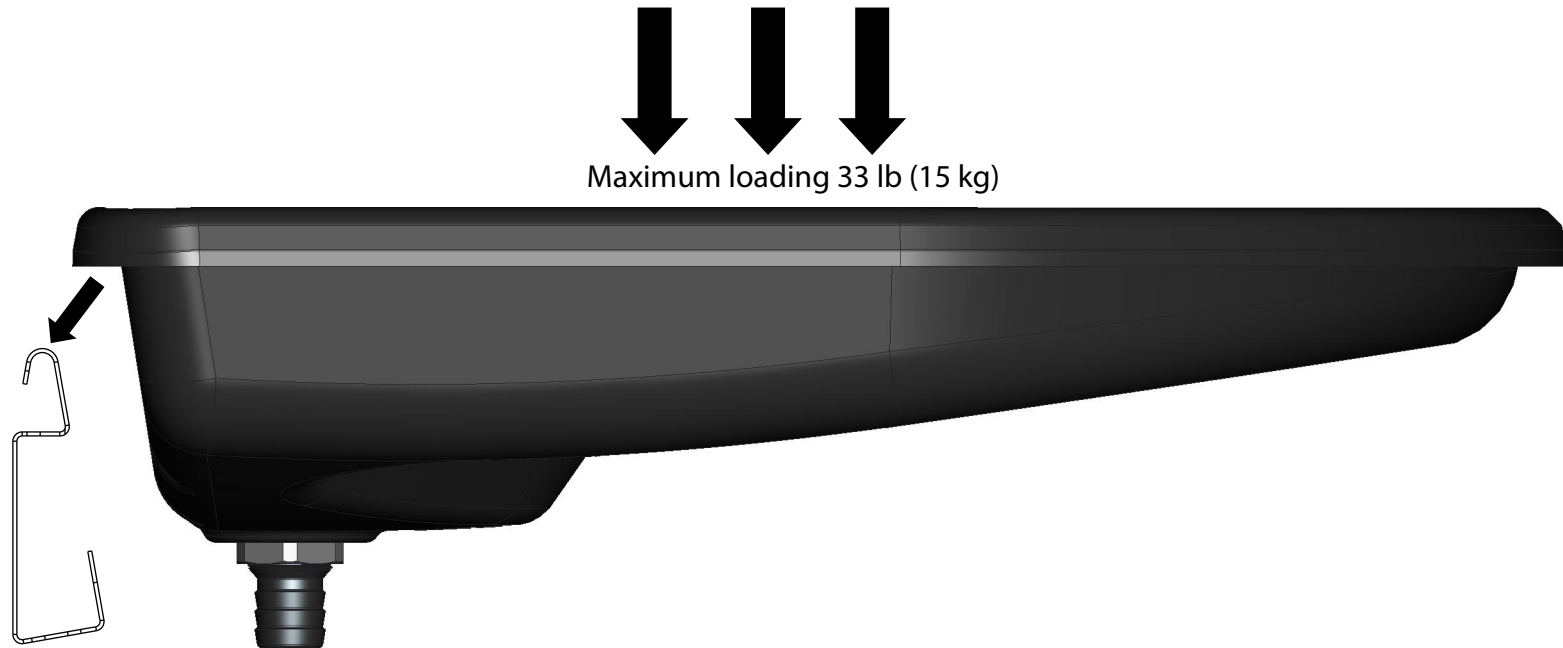


# Mounting instructions - PSH Plus Drain Pan



4 lbf·ft (5,5 Nm) - Maximum tightening torque nut (M32x1,5)

## Mounting Drain Pan on console



## Drain Pan console - Max. / Min. dimensions for wall mounting

