

CK Plus & CK Premium Surface-Mounted Electric Fan Heaters**Description**

Stiebel Eltron CK Plus and CK Premium wall-mounted electric heaters are designed for installation where quick heat is needed. They have an ultra-quiet fan and will replace existing recess-mount heaters. A built-in thermostat has a frost protection setting. The CK Premium adds an interactive full digital display with features like customizable time programs, night mode, open window detection, adaptive start, and a 120-minute booster heater function. CK Premium also features two heating stages, with a nearly-silent low-power economy mode.



Conforms to UL Std. 1278, 2021
Certified to CAN/CSA Std. 22.2 No. 46

CK Premium

CK Plus

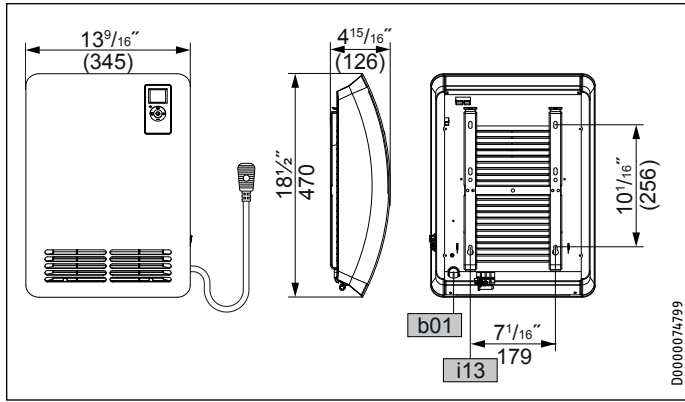
**Specifications**

Model	CK 150-1 Plus	CK 150-1 Premium	CK 200-2 Plus		CK 200-2 Premium	
Item number	202031	202033	202032		202034	
Voltage	120 V	120 V	240 V or 208 V		240 V or 208 V	
Heating output stages	1	2	1		2	
Wattage	1500 W	1500 W / 750 W	2000 W	1500 W	2000 W / 1000 W	1500 W / 750 W
Max. amperage	12.5 A	12.5 A	8.3 A	7.5 A	8.3 A	7.5 A
Rated output Btu/hr	5118	5118 / 2559	6824	5118	6824	5118 / 2559
Air volume	106 CFM	106 CFM	106 CFM		106 CFM	
Recommended circuit breaker size ¹	15 A	15 A	15 A		15 A	
Minimum wire size (copper)	14 AWG	14 AWG	14 AWG		14 AWG	
Electrical connection	Power cord with plug 39" (1.0 m), hard-wiring optional	Power cord with plug 39" (1.0 m), hard-wiring optional	Junction box, rear		Junction box, rear	
User interface	Control knob	Illuminated LCD display	Control knob		Illuminated LCD display	
Timer	no	yes	no		yes	
Room size estimate	150 sq.ft.	150 sq.ft.	200 sq.ft.		200 sq.ft.	
Operating noise (& "quiet" mode if available)	48 dB(a)	48 dB(a) / 37 dB(a)	48 dB(a)		48 dB(a) / 37 dB(a)	
Heating element	nichrome wire					
Dimensions	H 18 ¹ / ₂ " (470 mm) x W 13 ⁹ / ₁₆ " (345 mm) x D 4 ¹⁵ / ₁₆ " (126 mm)					
Weight	11.7 lb (5.3 kg)					
Temperature range	41-86 °F (5-30 °C)					
Frost protection setting	45 °F (7 °C)					

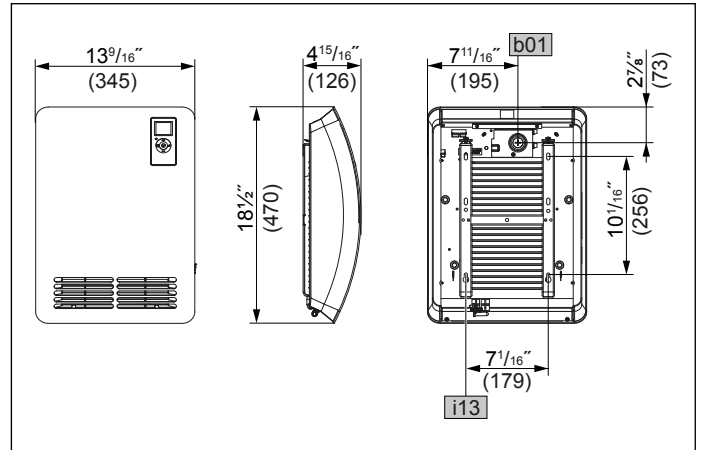
¹ This is our recommendation as the manufacturer. Check local codes for compliance if necessary.

Dimensions & clearances

CK 150-1 Plus, CK 150-1 Premium

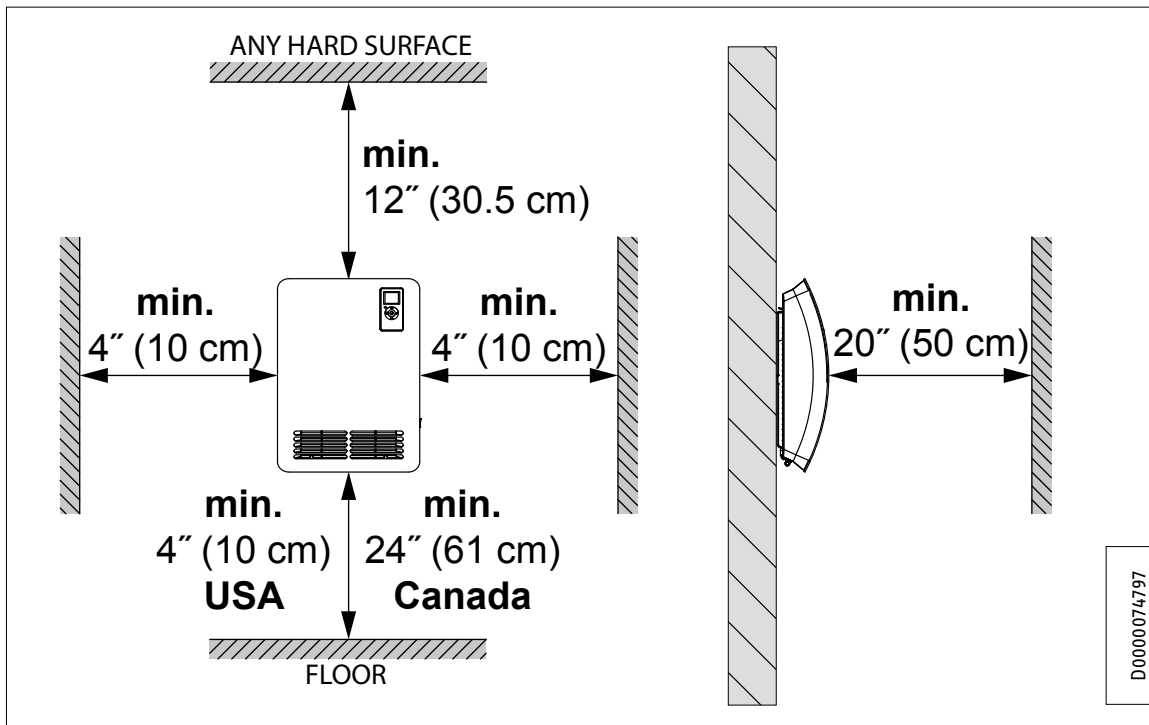


CK 200-2 Plus, CK 200-2 Premium

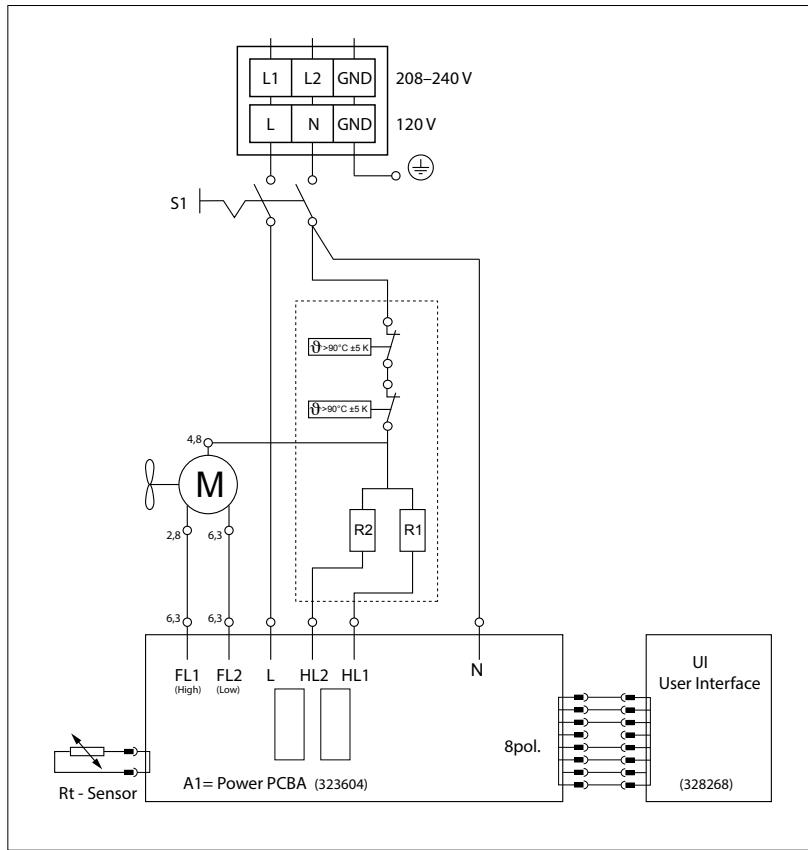


CK Plus/Premium	
b01	Power cord entry, 120 V models
i13	Wall mounting bracket

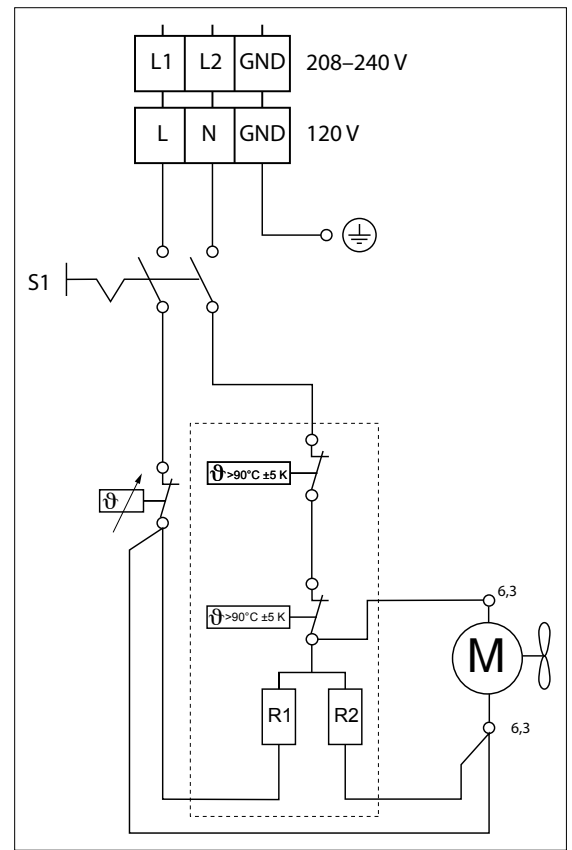
CK Plus/Premium	
b01	Position of junction box knockout, hard-wired 208-240 V models
i13	Wall mounting bracket



Wiring diagram CK 150-1 Premium, CK 200-2 Premium



Wiring diagram CK 150-1 Plus, CK 200-2 Plus



Specification

Contractor shall supply and install Stiebel Eltron CK electric fan heater(s) of the wattage and voltage specified on the plan. Heater(s) shall be surface-mounted fan type, with an operating noise of 48.0 dB(a). Heater(s) shall have a body constructed of stove enameled aluminum in Alpine White color. Heater(s) shall have a selectable temperature range of 41 °F to 86 °F (5 °C to 30 °C), and a frost protection setting which switches on the heating element automatically if the room temperature drops below the frost protection temperature of 45 °F (7 °C). Heater(s) shall be mounted with a minimum clearance from the finished floor of at least 4" (6-8" recommended) or 24" for installation in Canada, a minimum clearance from the left and right sides of the heater of at least 4", a minimum clearance from the top of the heater of at least 12", and a minimum clearance to the back of the heater of at least 1". Heater(s) shall have an electrical cable entrance on the right side. Heater(s) shall be ETL listed to be certified to ANSI/UL Std. 1278 or 2021 and to conform to CAN/CSA C22.2 No. 46.

Engineer/Architect _____ Date _____

Job Name/Customer _____ Location _____

Contractor _____ Representative _____

CK model	Qty	W	Voltage	Amps
_____	_____	_____	_____	_____