

# Galaxy™ Hand Dryers - Touchless Automatic

## Features

- › Ultra quiet hand dryer at 53 dB(a)
- › Advanced touchless technology turns unit on and off as hands are sensed
- › Unit is not programmed to run for a pre-determined time
- › Rugged construction
- › Contemporary design
- › Fast drying
- › Five-year warranty
- › Trouble free operation
- › Easy installation

## Applications

**Ideal for:**

- › Restaurants
- › Office buildings
- › Banks
- › Hospitals
- › Athletic stadiums
- › Malls
- › Department stores
- › Gas stations
- › Prisons
- › Hotels
- › Schools
- › Airports
- › Professional offices



## Models & Specifications

Model	Galaxy™ 1	Galaxy™ 2	Galaxy™ M 1	Galaxy™ M 2
Item number	073009	073010	073724_*	073725_*
Phase	Single	Single	Single	Single
Voltage	120 V	240 V	208 V	240 V
Wattage	1850 W	2000 W	1500 W	1850 W
Amperage	15.42 A	8.34 A	7.21 A	8.34 A
Min. required breaker size	20 A	15 A	20 A	15 A
Min. required wire size	12 AWG	12 AWG	12 AWG	12 AWG
Degree of protection (IP)	IP 23	IP 23	IP 23	IP 23
Sound power level	53 dB(a)	53 dB(a)	53 dB(a)	53 dB(a)
Air speed	NA	NA	NA	NA
Air volume	90.0 CFM	95.0 CFM	90.0 CFM	95.0 CFM
Drying time (approx.)	30 sec.	30 sec.	30 sec.	30 sec.
Height	9 7/8" / 250 mm	9 7/8" / 26 mm	10 1/2" / 266 mm	10 1/2" / 266 mm
Width	9 1/16" / 230 mm	9 1/8" / 232 mm	9 1/16" / 230 mm	9 1/8" / 232 mm
Depth	9 1/16" / 230 mm	9 1/16" / 230 mm	9 1/16" / 230 mm	9 1/16" / 230 mm
Weight	5.5 lb / 2.5 kg	5.5 lb / 2.5 kg	8.8 lb / 4.0 kg	8.8 lb / 4.0 kg
Color	Alpine white	Alpine white	Alpine white Charcoal Gray (opt.) Silver Metallic (opt.)	Alpine white Silver Metallic (opt.)
Housing	ABS polycarbonate	ABS polycarbonate	Cast aluminum	Cast aluminum

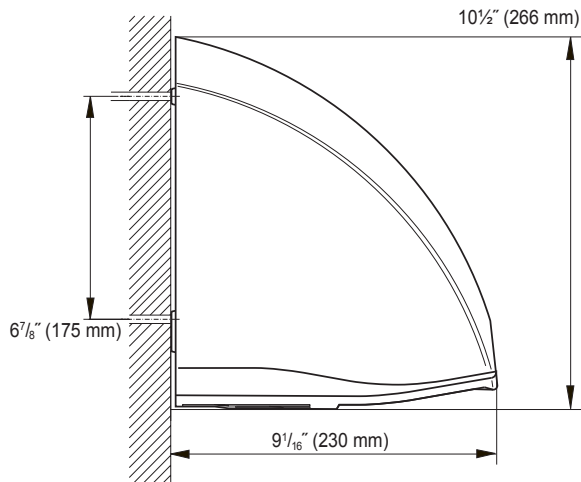
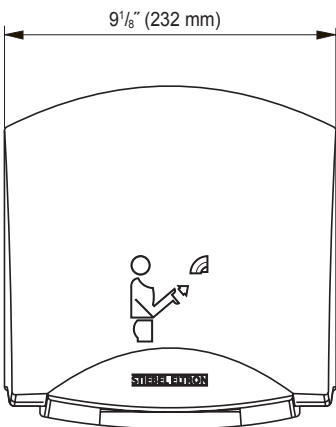
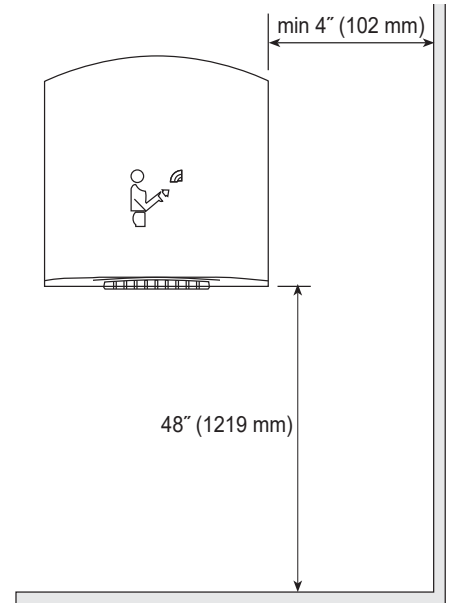
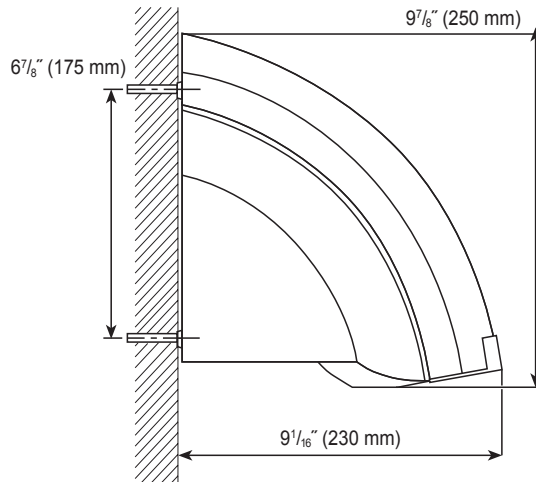
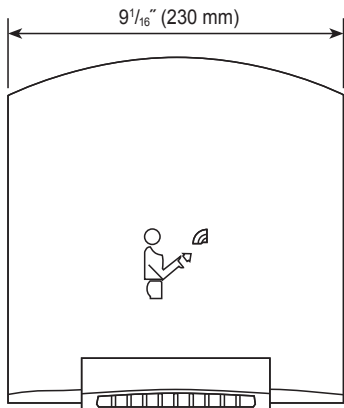


Conforms to UL Std. 499  
Certified to CAN/CSA Std. 22.2 No. 36



\* Insert "S" for Silver Metallic / "G" for Charcoal Gray / Leave blank for Alpine White

# Dimensions & Colors



rev. 9.2024 Due to our continuous process of engineering and technological advancement, specifications may change without notice.

# Specification

Galaxy™ 1 & 2 hand dryers shall be manufactured by Stiebel Eltron, Inc. to include a cover of ABS polycarbonate designed for light to medium traffic areas. Motor shall be thermally protected brush type with a single shaft. Dryer shall deliver 90 cubic feet per minute of air volume and shall be activated by an infrared sensor automatically detecting hands when present. Hand dryer shall be listed under of ETL as conforming to ANSI/UL Std. 499 and certified to CAN/CSA Std. 22.2 No. 36.

Galaxy™ M1 & M2 hand dryers shall be manufactured by Stiebel Eltron, Inc. to include a cover of cast aluminum designed for high traffic areas. Motor shall be thermally protected brush type with a single shaft. Dryer shall deliver 95 cubic feet per minute of air volume and shall be activated by an infrared sensor automatically detecting hands when present. Hand dryer shall be listed under of ETL as conforming to ANSI/UL Std. 499 and certified to CAN/CSA Std. 22.2 No. 36.

Engineer/Architect _____	Date _____
Job Name/Customer _____	Location _____
Contractor _____	Representative _____
	Qty                      kW                      Voltage                      Amps
Galaxy™ model _____	_____

rev. 9.2024 Due to our continuous process of engineering and technological advancement, specifications may change without notice.