

SBB Indirectly Fired Water Heater Tanks

Features

- » Heavy gauge steel with porcelain enamel coating
- » Superb quality with long service life
- » Fitted with one or two large heat exchangers
- » Sacrificial anode rod
- » Up to 3" R-21 urethane foam insulation for low standby heat loss
- » Large clean out port for ease of maintenance
- » Limited lifetime warranty

Left to right:
SBB 300
SBB 400
SBB 600 Plus



Models & Specifications

	SBB 300 Plus	SBB 400 Plus	SBB 600 Plus
Item Number	187873	187874	187875
Contents			
Storage Capacity	80.6 gal / 305 l	108.6 gal / 411 l	162.9 gal / 617 l
Volume of heat exchanger, top	1.9 gal / 7.3 l	2.2 gal / 8.2 l	2.5 gal / 9.6 l
Volume of heat exchanger, bottom	2.7 gal / 10.1 l	2.9 gal / 11.3 l	3.5 gal / 13.2 l
Pressure			
Working pressure	150 PSI / 10 bar	150 PSI / 10 bar	150 PSI / 10 bar
Tested to pressure	217 PSI / 15 bar	217 PSI / 15 bar	217 PSI / 15 bar
Max. pressure of upper loop	150 PSI / 10 bar	150 PSI / 10 bar	150 PSI / 10 bar
Temperature			
Max. temperature of lower loop	266 °F / 130 °C	266 °F / 130 °C	266 °F / 130 °C
Max temperature of upper loop	266 °F / 130 °C	266 °F / 130 °C	266 °F / 130 °C
Heat exchanger			
Surface area heat exchanger top	1,705 sq. in / 1.1 m ²	2,015 sq. in / 1.3 m ²	2,945 sq. in / 1.9 m ²
Surface area heat exchanger bottom	2,325 sq. in / 1.5 m ²	2,635 sq. in / 1.7 m ²	3,875 sq. in / 2.5 m ²
Output rating heat exchanger top	111,000 Btu/hr / 32 kW	128,000 Btu/hr / 37 kW	182,000 Btu/hr / 53 kW
Output rating heat exchanger bottom	150,000 Btu/hr / 44 kW	164,000 Btu/hr / 48 kW	242,000 Btu/hr / 71 kW
Recovery rate (maximum input)	180 gal/hr / 681 l/hr	186 gal/hr / 704 l/hr	224 gal/hr / 848 l/hr
Weights			
Tank weight empty	339 lb / 154 kg	412 lb / 187 kg	544 lb / 247 kg
Tank weight full	1051 lb / 477 kg	1362 lb / 618 kg	1955 lb / 887 kg
Other			
Standby losses in 24 hours	6500 Btu / 1.9 kWh	7500 Btu / 2.2 kWh	10000 Btu / 2.9 kWh
Cold/hot water connection			
Dimensions			
Height with insulation	66 3/32 in / 1,679 mm	72 11/16 in / 1,848 mm	68 5/16 in / 1,735 mm
Width with insulation	27 9/16 in / 700 mm	29 1/2 in / 750 mm	36 1/4 in / 920 mm *
Width of insulation	3 in / 75 mm	3 in / 75 mm	3 11/32 in / 85 mm *

* Insulation is partially removable to reduce width to 31.5" for clearance purposes

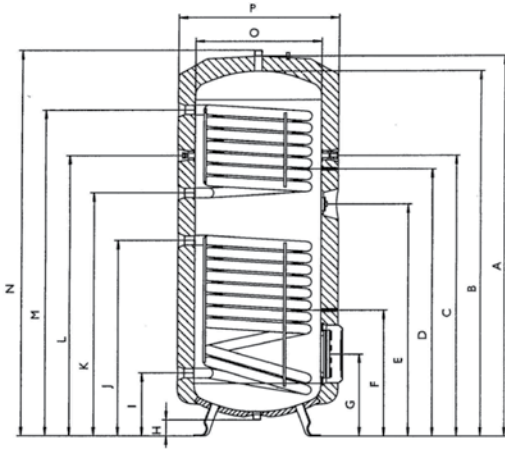


SBB tanks are ETL certified in US and Canada to IAS U.S. Requirements for Indirect Fired Water Heaters For Use With External Heat Source. No 1-91, Dated June 6, 1992

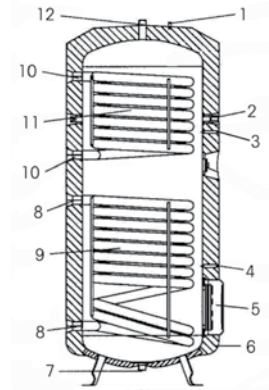
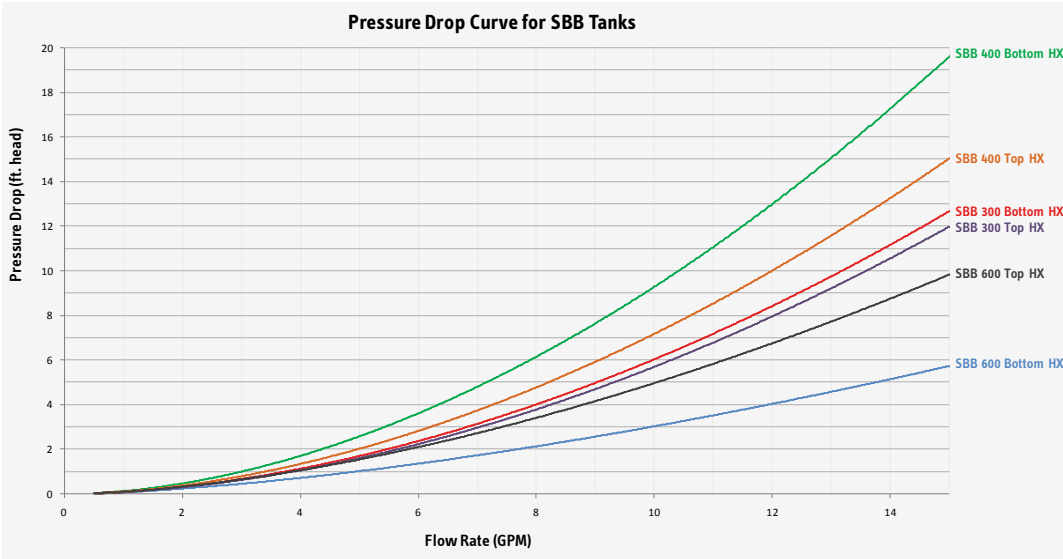


Tested and Certified by WQA against NSF/ANSI/CAN 372 for lead free compliance.

Dimensions



Type		SBB 300 Plus	SBB 400 Plus	SBB 600 Plus
A	Height of unit w/insulation	66.1/1679	72.7/1848	68.3/1735
B	Height of unit without insulation	63.3/1609	70.1/1781	65.7/1670
C	Height of well for temp. sensor	46.4/1179	48.7/1238	46.9/1192
D	Height thermometer	41.1/1045	43.0/1093	41.5/1055
E	Height spare port	40.3/1025	42.4/1078	40.9/1040
F	Height of well for temp. sensor	21.9/557	22.0/560	23.4/595
G	Height inspection flange	14.4/365	14.4/367	15.9/405
H	Height cold water feed	2.9/73	2.6/65	2.0/50
I	Height solar cold feed	11.0/280	11.1/282	10.9/277
J	Height solar hot return	34.0/865	34.1/867	33.9/862
K	Height heater hot boiler return	38.4/975	44.5/1130	42.9/1089
L	Height circulation port	52.7/1339	63.0/1600	57.2/1453
M	Height cold boiler feed	52.7/1339	63.0/1600	57.2/1453
N	Overall height	67.08/1704	73.74/1873	69.29/1760
O	Width without thermal insulation	21.65/550	23.62/600	29.52/750
P	Width with thermal insulation	27.55/700	29.52/750	36.22/920



- 1 Sacrificial anode indicator
- 2 Thermometer
- 3 Well for temperature sensor (boiler)
- 4 Well for temperature sensor (solar)
- 5 Clean-out port
- 6 Foam insulation
- 7 Cold water inlet
- 8 Heat exchanger ports lower loop (solar)
- 9 Lower exchanger coil (solar)
- 10 Heat exchanger ports upper loop (boiler)
- 11 Upper exchanger coil (boiler)
- 12 Hot water outlet

Specification

Tank shall be constructed of steel with porcelain enamel coating on all surfaces in contact with DHW. Tank shall be insulated with urethane foam insulation 2.95 in. (70 mm.) thick to R-21 with an ABS outer casing cover. Standby heat loss shall be between 1.9 and 2.9 kWh (6,500-10,000 Btu) per 24 hours. Tank shall be delivered wrapped in plastic on a one-way pallet. Tank shall have been pressure tested to 217 PSA/15 bar and the maximum operating pressure shall be 150 PSI/10 bar. Tank shall be ETL certified in USA and Canada to IAS U.S. Requirements for Indirect Fired Water Heaters For Use With External Heat Source. No 1-91, Dated June 6, 1992. Tank shall be equipped with welded steel plain-ended pipe heat exchangers, hot water corrosion protection via special enamel coating and magnesium sacrificial anode, three immersion sleeves for housing of temperature probe and thermometer, circulation socket, inspection/cleaning port with cover.

Engineer/Architect _____	Date _____
Job Name/Customer _____	Location _____
Contractor _____	Representative _____
Qty _____	Volume _____
SBB model _____	