

SHC Mini-Tank Electric Water Heaters

Description

SHC Mini-Tank installs right under or near a sink and provides hot water for hand washing or kitchen type applications either as a stand-alone hot water source or as a booster for a remote central tank. Lightweight and compact, the SHC mounts to the wall (bracket included), draws 11.3 A and plugs into a 110-120V outlet.

- › T & P valve included
- › Glass-lined tank
- › 1/2" NPT brass water connections
- › Wall mounted
- › Stainless steel dip tube
- › Plugs into 120 V, 15 A outlet
- › 6-year warranty on tank /2-year on components
- › Reduces standby losses
- › Manufactured in Germany



Applications

Commercial > Industrial > Institutional

- › Office buildings
- › Malls & Stores
- › Food Trucks
- › Warehouses
- › Gas stations
- › Schools
- › Hotels/Motels
- › Restaurants

Residential

- › Bathroom Sinks
- › Kitchen & Laundry Sinks
- › RVs
- › Cabins/cottages

› SHC mini-tanks are suitable for use as a stand-alone hot water source for a sink(s), as a booster for a long pipe run from a remote hot water source, or in a recirculation loop.

Models & Dimensions

Model	Voltage	Watts	Amps	Nominal Water Vol.	Max. Adj. Temperature	Recovery Time	Standby energy loss
SHC 2.5	120 V	1300 W	11.3 A	2.65 gal (10 l)	140 °F (60 °C)	18 min.	0.37 kW/day ¹
SHC 4	120 V	1300 W	11.3 A	3.96 gal (15 l)	140 °F (60 °C)	27 min.	0.39 kW/day ¹
SHC 6	120 V	1300 W	11.3 A	6.0 gal (22.7 l)	140 °F (60 °C)	45 min.	0.43 kW/day ¹

¹ Measured at 131 °F (55 °C) set point temperature in 68 °F (20 °C) ambient air temperature.

SHC Model	SHC 2.5	SHC 4	SHC 6
Part number	233219	234046	235089
Weight Empty (lbs / kg)	15.9 lbs (7.2 kg)	19.8 lbs (9.0 kg)	26.5 lbs (12.0 kg)
Height	18 11/16" (475 mm)	19 3/4" (501 mm)	20 1/2" (520 mm)
Width	11" (280 mm)	12 5/8" (320 mm)	15 1/8" (385 mm)
Depth	10 5/8" (270 mm)	12 1/2" (318 mm)	15" (380 mm)
Max. Operating Pressure	150 psi (10 bar)	150 psi (10 bar)	150 psi (10 bar)
Cover Material and Color	Alpine White ABS	Alpine White ABS	Alpine White ABS



Intertek

Conforms to UL Std. 174
Certified to CAN/CSA Std. C22.2 No. 110

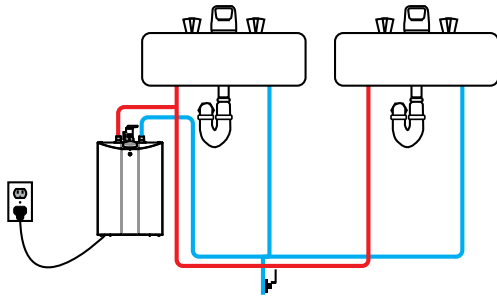


Tested and certified by WQA against NSF/ANSI/CAN 372 for lead free compliance.

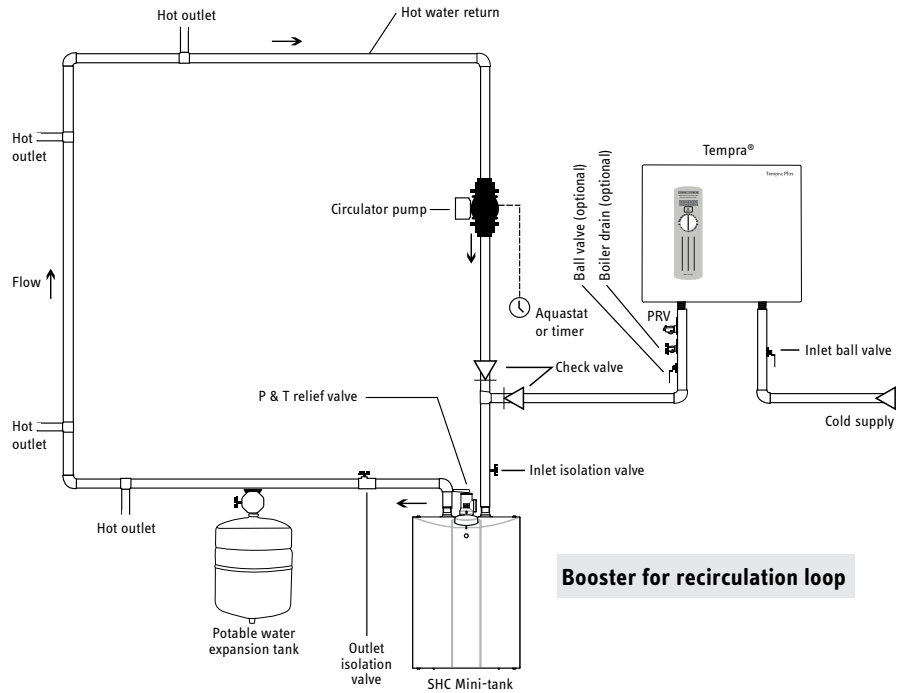
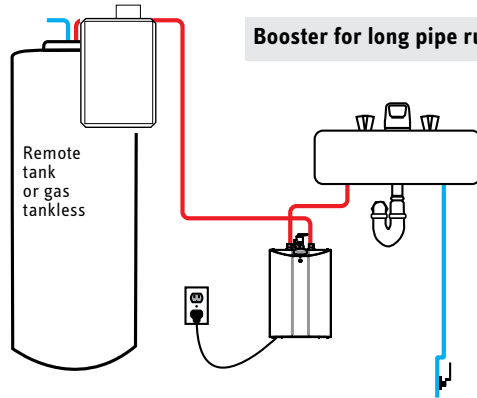
ISO 9001
CERTIFIED

Typical Installations

Mini-Tank for hot water at sink(s)



Booster for long pipe runs



Booster for recirculation loop

Specification

Mini-tank water heater shall be Stiebel Eltron model SHC [2.5/4/6] with a storage capacity of [2.5/4.0/6.0] gallons, a copper-sheathed electric resistance immersion element with a rating of 1.3 kW, a recovery time of [18/27/45] minutes, and a maximum operating pressure of 150 psi (10 bar). The water heater pressure vessel shall be welded glass-lined steel with a sacrificial anode rod, 1/2" NPT male brass inlet and outlet nipples, equipped with both a thermostat capable of setting temperatures from 86 °F to 140 °F (30 °C to 60 °C) and a high limit temperature switch, and polystyrene insulation capable of limiting standby heat loss to [0.37/0.39/0.43] kWh/day. Water heater shall be supplied with an ASME-rated and lead-free automatic reseating combination temperature and pressure relief valve set at 150 psi (10 bar) and 210 °F (99 °C). Water heater shall be ETL listed to conform to ANSI/UL Std. 174 and certified to CAN/CSA Std. C22.2 No. 110, and certified by WQA against NSF/ANSI 372 for lead-free compliance. Manufacturer shall provide a parts warranty for both residential and commercial installation that the water heater shall be free from defects in workmanship and materials for a period of two (2) years from the date of purchase and the tank will be free from leakage for a period of six (6) years from the date of purchase.

Engineer/Architect _____ Date _____

Job Name/Customer _____ Location _____

Contractor _____ Representative _____

Qty _____ kW _____ Voltage _____ Amps _____

SHC model _____