

Ultronic™ Touchless Automatic Hand Dryers

Features

- › Quiet for a high speed hand dryer at 82 dB(a)
- › Advanced touchless technology turns unit on and off as hands are sensed
- › Unit is not programmed to run for a pre-determined time
- › Rugged construction
- › Fast drying
- › Five-year warranty
- › Trouble free operation
- › Easy installation



Ultronic™ S
Stainless Steel
Metallic Finish



Ultronic™ W
Alpine White
Powder Coat Finish

Models

Model	Ultronic™ 1 S	Ultronic™ 1 W	Ultronic™ 2 S		Ultronic™ 2 W	
Item number	231584	231585	231586		231587	
Phase	Single	Single	Single	Single	Single	Single
Voltage	120 V	120 V	240 V	208 V	240 V	208 V
Wattage	985 W	985 W	1000 W	775 W	1000 W	775 W
Amperage	8.5 A	8.5 A	4.3 A	3.85 A	4.3 A	3.85 A
Min. required breaker size	15 A	15 A	15 A		15 A	
Min. required wire size	14 AWG	14 AWG	14 AWG		14 AWG	
Degree of protection	IP 23	IP 23	IP 23		IP 23	
Sound level	82 dB	82 dB	82 dB		82 dB	
Air speed	210 mph / 94 m/s	210 mph / 94 m/s	210 mph / 94 m/s		210 mph / 94 m/s	
Air volume	170.7 CFM	170.7 CFM	170.7 CFM		170.7 CFM	
Drying time (approx.)	15 sec.	15 sec.	15 sec.		15 sec.	
Height	11 ³ / ₈ " / 289 mm	11 ³ / ₈ " / 289 mm	11 ³ / ₈ " / 289 mm		11 ³ / ₈ " / 289 mm	
Width	10 ¹ / ₈ " / 257 mm	10 ¹ / ₈ " / 257 mm	10 ¹ / ₈ " / 257 mm		10 ¹ / ₈ " / 257 mm	
Depth	9 3/16" / 234 mm	9 3/16" / 234 mm	9 3/16" / 234 mm		9 3/16" / 234 mm	
Weight	9.7 lb / 4.4 kg	9.7 lb / 4.4 kg	9.7 lb / 4.4 kg		9.7 lb / 4.4 kg	
Color	Stainless steel	Alpine white	Stainless steel		Alpine white	
Housing	Cast aluminum	Cast aluminum	Cast aluminum		Cast aluminum	



Intertek

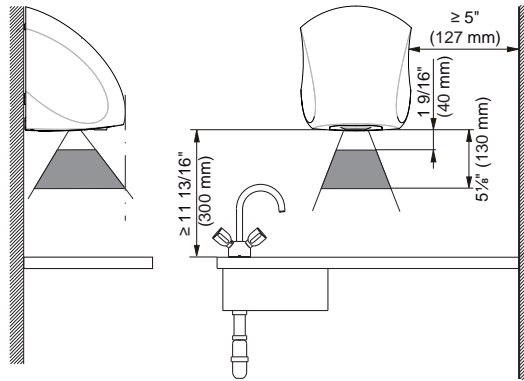
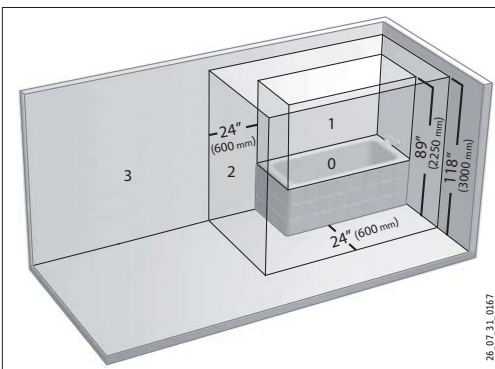
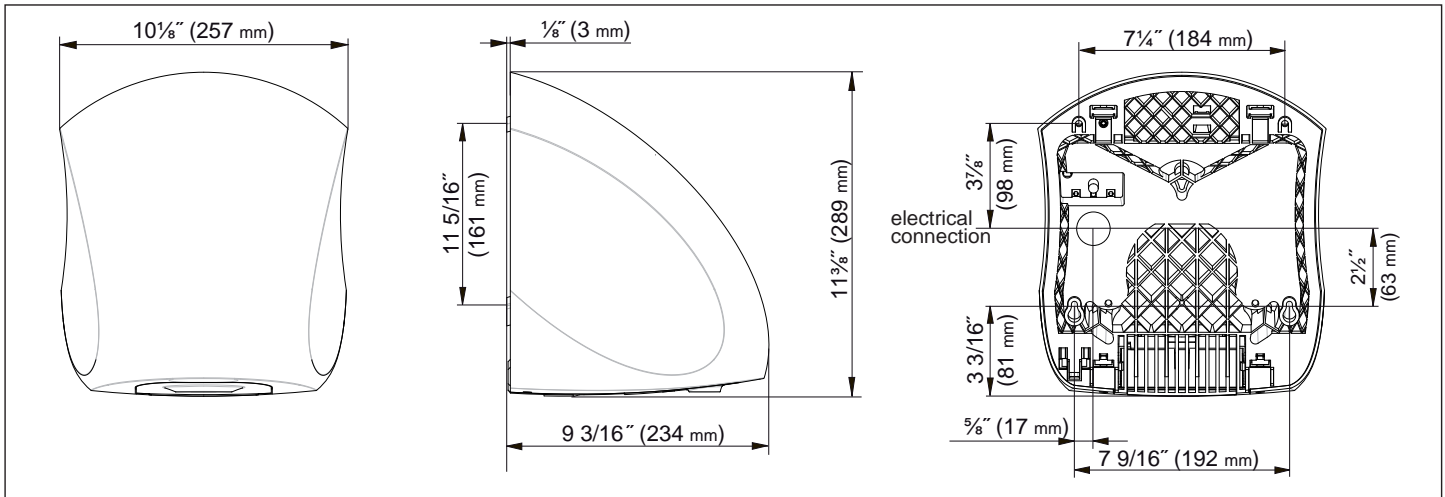
Certified to ANSI/UL Std. 507
Conforms to CAN/CSA C22.2 No. 113

ISO 9001
CERTIFIED



rev. 2014.1 Due to our continuous process of engineering and technological advancement, specifications may change without notice.

Dimensions



Recommended mounting heights

Age	Age	Height
	Adult man	54" (1350 mm)
	Adult woman	48" (1250 mm)
	Preschool / kindergarten	3 - 5 32" (810 mm)
	Elementary school	6 - 10 36" (910 mm)
	Middle school	10 - 13 44" (1120 mm)
	High school	13 - 18 48" (1250 mm)

- 0 DANGER ZONE: do not install unit in bathtubs, showers, or wash basins.
- 1 DANGER ZONE: do not install directly above bathtubs or showers.
- 2 DANGER ZONE: do not install within 24" of bathtubs or showers
- 3 SAFE AREA: unit must be installed in this area, outside of DANGER ZONES 2, 1 and 0.

Specification

Ultronic™ hand dryers shall be manufactured by Stiebel Eltron, Inc. to include a cover of cast aluminum. Motor shall be thermally protected brush type with a single shaft. Unit shall have an IP degree of protection of 23. Dryer shall deliver 170 cubic feet per minute of air volume at an air speed of 210 mph and shall be activated by an infrared sensor automatically detecting hands when present. Hand dryer shall be listed under of ETL as conforming to ANSI/UL Std. 507 and certified to CAN/CSA Std. 22.2 No. 113.

Engineer/Architect _____	Date _____		
Job Name/Customer _____	Location _____		
Contractor _____	Representative _____		
Qty _____	kW _____	Voltage _____	Amps _____
Hand dryer model _____	_____	_____	_____