

**CK Plus & CK Premium Surface-Mounted Electric Fan Heaters**

**Engineer/Architect:** \_\_\_\_\_ **Date:** \_\_\_\_\_

**Job Name/Customer:** \_\_\_\_\_ **Phone:** \_\_\_\_\_

**Location:** \_\_\_\_\_ **Date Required:** \_\_\_\_\_

**Contractor:** \_\_\_\_\_ **Phone:** \_\_\_\_\_

CK model	Item No.	Quantity	kW	Voltage

**Description**

Stiebel Eltron CK Plus and CK Premium wall-mounted electric heaters are designed for installation where quick heat is needed. They have an ultra-quiet fan and will replace existing recess-mount heaters. A built-in thermostat has a frost protection setting. The CK Premium adds an interactive full digital display with features like customizable time programs, night mode, open window detection, adaptive start, and a 120-minute booster heater function. CK Premium also features two heating stages, with a nearly-silent low-power economy mode.

**Specifications**

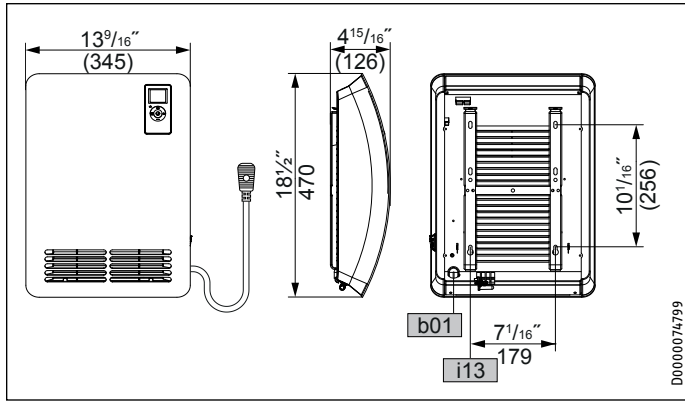
Model	CK 150-1 Plus	CK 150-1 Premium	CK 200-2 Plus	CK 200-2 Premium
<b>Item number</b>	202031	202033	202032	202034
<b>Voltage</b>	120 V	120 V	240 V or 208 V	240 V or 208 V
<b>Heating output stages</b>	1	2	1	2
<b>Wattage</b>	1500 W	1500 W / 750 W	2000 W / 1500 W	2000 W / 1000 W / 1500 W / 750 W
<b>Max. amperage</b>	12.5 A	12.5 A	8.3 A / 7.5 A	8.3 A / 7.5 A
<b>Rated output Btu/hr</b>	5118	5118 / 2559	6824 / 5118	6824 / 5118 / 2559
<b>Air volume</b>	106 CFM	106 CFM	106 CFM	106 CFM
<b>Recommended circuit breaker size<sup>1</sup></b>	15 A	15 A	15 A	15 A
<b>Minimum wire size (copper)</b>	14 AWG	14 AWG	14 AWG	14 AWG
<b>Electrical connection</b>	Power cord with plug 39" (1.0 m), hard-wiring optional	Power cord with plug 39" (1.0 m), hard-wiring optional	Junction box, rear	Junction box, rear
<b>User interface</b>	Control knob	Illuminated LCD display	Control knob	Illuminated LCD display
<b>Timer</b>	no	yes	no	yes
<b>Room size estimate</b>	150 sq.ft.	150 sq.ft.	200 sq.ft.	200 sq.ft.
<b>Operating noise (&amp; "quiet" mode if available)</b>	48 dB(a)	48 dB(a) / 37 dB(a)	48 dB(a)	48 dB(a) / 37 dB(a)
<b>Heating element</b>	nichrome wire			
<b>Dimensions</b>	H 18 1/2" (470 mm) x W 13 3/16" (345 mm) x D 4 5/16" (126 mm)			
<b>Weight</b>	11.7 lb (5.3 kg)			
<b>Temperature range</b>	41-86 °F (5-30 °C)			
<b>Frost protection setting</b>	45 °F (7 °C)			



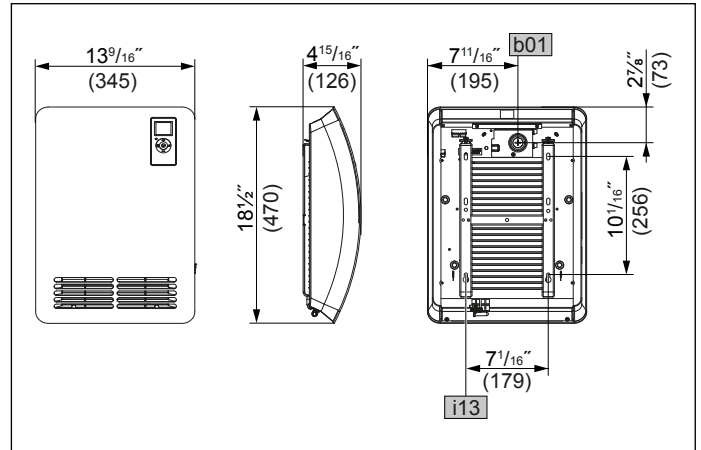
<sup>1</sup> This is our recommendation as the manufacturer. Check local codes for compliance if necessary.

# Dimensions & clearances

## CK 150-1 Plus, CK 150-1 Premium

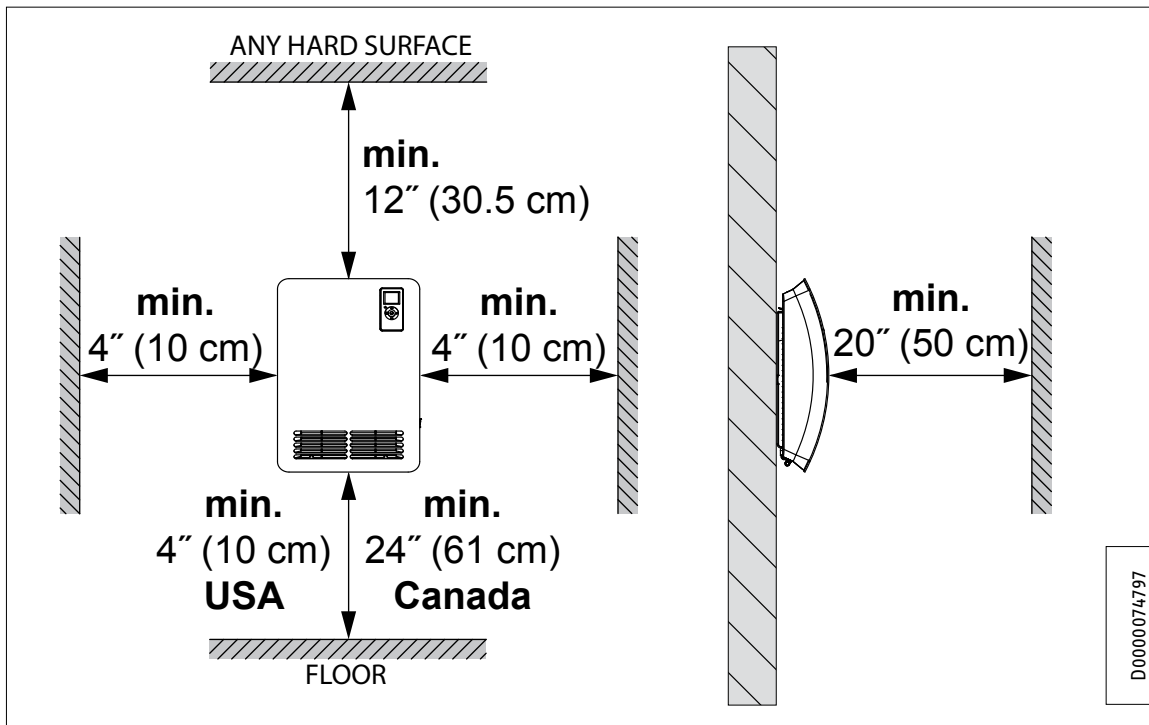


## CK 200-2 Plus, CK 200-2 Premium



	<b>CK Plus/Premium</b>
b01	Power cord entry, 120 V models
i13	Wall mounting bracket

	<b>CK Plus/Premium</b>
b01	Position of junction box knockout, hard-wired 208-240 V models
i13	Wall mounting bracket



Conforms to UL Std. 1278, 2021  
 Certified to CAN/CSA Std. 22.2 No. 46



## Warranty

**Residential & commercial warranty:** Stiebel Eltron warrants to the original owner that the CK Plus or CK Premium wall mounted electric fan heater will be free from defects in workmanship and materials for a period of three (3) years from the date of purchase. Should the part(s) prove to be defective under normal use during this period, Stiebel Eltron, Inc. will be responsible for replacement of the defective part(s) only. Stiebel Eltron, Inc. is not responsible for labor charges to remove and/or replace the defective part(s), or any incidental or consequential expenses. Should the owner wish to return the heater for repair, the owner must first secure written authorization from Stiebel Eltron, Inc. The owner shall be required to show proof of purchase date, and to pay all transportation costs to return the defective part(s) or heater for repair or replacement. Warranty is void if heater has been installed or used improperly or if design has been altered in any way. Complete warranty available online.