

CNS-E Wall-Mounted Convection Heater

Engineer/Architect: _____ **Date:** _____

Job Name/Customer: _____ **Phone:** _____

Location: _____ **Date Required:** _____

Contractor: _____ **Phone:** _____

Heater Specifications	Item No.	Quantity	kW	Voltage	Amperage
Model # CNS-E _____	_____	_____	_____	_____	_____

Description

The CNS-E is a surface-mounted convection heater that can be used as a replacement for traditional baseboard heaters or as a stand-alone heating system. The built-in thermostat can be used to control a single CNS-E or multiple CNS-E units can be placed strategically in larger spaces and their temperature settings adjusted individually. CNS-E heaters may be wired to use an existing wall-mounted thermostat. CNS-E is designed with a frost protection setting; the lowest setting will maintain a room above freezing temperature. Overheat protection is built into the unit. The external casing of the appliance is made from stove enameled sheet steel with some plastic trim pieces. Controls are located on top right looking at the appliance. Color is Alpine White.

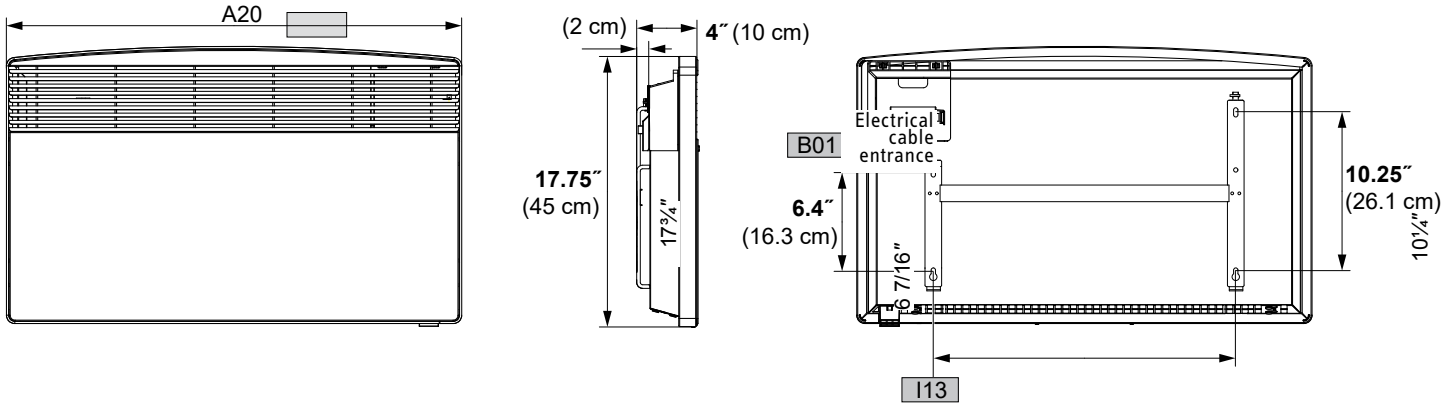
Specifications

Model	CNS 100-1 E	CNS 150-1 E	CNS 100-2 E	CNS 150-2 E	CNS 200-2 E	CNS 240-2 E
Item number	233586	233587	231543	231544	231545	231546
Voltage	120 v	120 v	240 v or 208 v	240 v or 208 v	240 v or 208 v	240 v or 208 v
Wattage	1000 w	1500 w	1000 w 750 w	1500 w 1125 w	2000 w 1500 w	2400 w 1800 w
Amperage	8.3 A	12.5 A	4.2 A 3.6 A	6.3 A 5.4 A	8.3 A 7.2 A	10.0 A 8.7 A
Btu/hr	3412	5118	3412 2559	5118 3839	6824 5118	8189 6142
Required circuit breaker size ¹	15 A	15 A	15 A	15 A	15 A	15 A
Required wire size (copper)	14 AWG	14 AWG	14 AWG	14 AWG	14 AWG	14 AWG
Temperature range	45 °F-86 °F (7 °C-30 °C)					
Frost protection setting	45 °F (7 °C)					
Height	17 3/4" (45.0 cm)					
Width	17 1/2" (44.5 cm)	23 1/4" (59.0 cm)	17 1/2" (44.5 cm)	23 1/4" (59.0 cm)	29 1/8" (74.0 cm)	35 1/16" (89.0 cm)
Depth	3 15/16" (10 cm)					
Weight	9.7 lb (4.4 kg)	12.6 lb (5.7 kg)	9.7 lb (4.4 kg)	12.6 lb (5.7 kg)	15.0 lb (6.8 kg)	17.9 lb (8.1 kg)
Equivalent Baseboard ²	4'	6'	4'	6'	8'	9.6'
Room size estimate ³	100 sq.ft	150 sq.ft.	100 sq.ft.	150 sq.ft.	200 sq.ft.	240 sq.ft.

¹ This is our recommendation as the manufacturer. Check local codes for compliance if necessary.

² For comparison purposes only. Exact equivalent will depend on your climate. ³ Based on average insulation

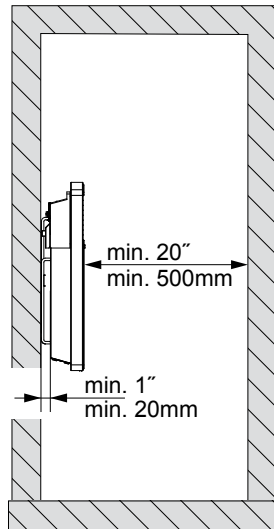
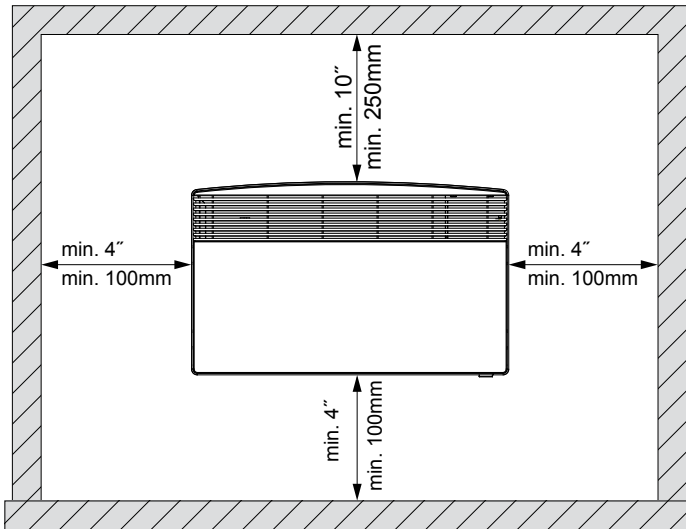
Dimensions & clearances



A20 Appliance width in/mm

i13 Wall mounting bracket hole spacing in/mm

CNS 100-2 E	CNS 150-2 E	CNS 200-2 E	CNS 240-2 E
CNS 100-1 E	CNS 150-1 E		
17.5 / 445	23.25 / 590	29.1 / 740	35.0 / 890
7.7 / 195	13.5 / 343	19.3 / 491	25.2 / 639



Conforms to ANSI/UL Std. 2021
Certified to CAN/CSA Std. 22.2 No. 46

ISO 9001
CERTIFIED

Warranty

Residential & commercial warranty: Stiebel Eltron warrants to the original owner that the CNS-E convection heater will be free from defects in workmanship and materials for a period of three (3) years from the date of purchase. Should the part(s) prove to be defective under normal use during this period, Stiebel Eltron, Inc. will be responsible for replacement of the defective part(s) only. Stiebel Eltron, Inc. is not responsible for labor charges to remove and/or replace the defective part(s), or any incidental or consequential expenses. Should the owner wish to return the convection heater for repair, the owner must first secure written authorization from Stiebel Eltron, Inc. The owner shall be required to show proof of purchase date, and to pay all transportation costs to return the defective part(s) or convection heater for repair or replacement. Warranty is void if water heater has been installed or used improperly or if design has been altered in any way.