

Ultronic™ Touchless Automatic Hand Dryer

Engineer/Architect: _____ **Date:** _____

Job Name/Customer: _____ **Phone:** _____

Location: _____ **Date Required:** _____

Contractor: _____ **Phone:** _____

Model # Ultronic™	Item No.	Quantity	kW	Voltage	Amperage

Description

The Ultronic™ touchless automatic hand dryer is a high-speed hand dryer. Ultronic™ series hand dryers are equipped with an infrared sensor switch. This sensor will activate the unit when hands are placed underneath it. Approximately 7 seconds after the hands have been removed, the unit will automatically shut off. The Ultronic™ is the quietest high speed hand dryer available. Housings are cast aluminum and available in Alpine White or Stainless Steel finish.

Specifications

Model	Ultronic™ 1 S	Ultronic™ 1 W	Ultronic™ 2 S	Ultronic™ 2 W
Item number	231584	231585	231586	231587
Phase	Single	Single	Single Single	Single Single
Voltage	120 V	120 V	240 V 208 V	240 V 208 V
Wattage	985 W	985 W	1000 W 775 W	1000 W 775 W
Amperage	8.5 A	8.5 A	4.3 A 3.85 A	4.3 A 3.85 A
Min. required breaker size	15 A	15 A	15 A	15 A
Min. required wire size	14 AWG	14 AWG	14 AWG	14 AWG
Degree of protection	IP 23	IP 23	IP 23	IP 23
Sound level	82 dB	82 dB	82 dB	82 dB
Air speed	210 mph / 94 m/s	210 mph / 94 m/s	210 mph / 94 m/s	210 mph / 94 m/s
Air volume	170.7 CFM	170.7 CFM	170.7 CFM	170.7 CFM
Drying time	15 sec.	15 sec.	15 sec.	15 sec.
Height	11 ³ / ₈ " / 289 mm	11 ³ / ₈ " / 289 mm	11 ³ / ₈ " / 289 mm	11 ³ / ₈ " / 289 mm
Width	10 ¹ / ₈ " / 257 mm	10 ¹ / ₈ " / 257 mm	10 ¹ / ₈ " / 257 mm	10 ¹ / ₈ " / 257 mm
Depth	9 3/16" / 234 mm	9 3/16" / 234 mm	9 3/16" / 234 mm	9 3/16" / 234 mm
Weight	9.7 lb / 4.4 kg	9.7 lb / 4.4 kg	9.7 lb / 4.4 kg	9.7 lb / 4.4 kg
Color	Stainless steel	Alpine white	Stainless steel	Alpine white
Housing	Cast aluminum	Cast aluminum	Cast aluminum	Cast aluminum

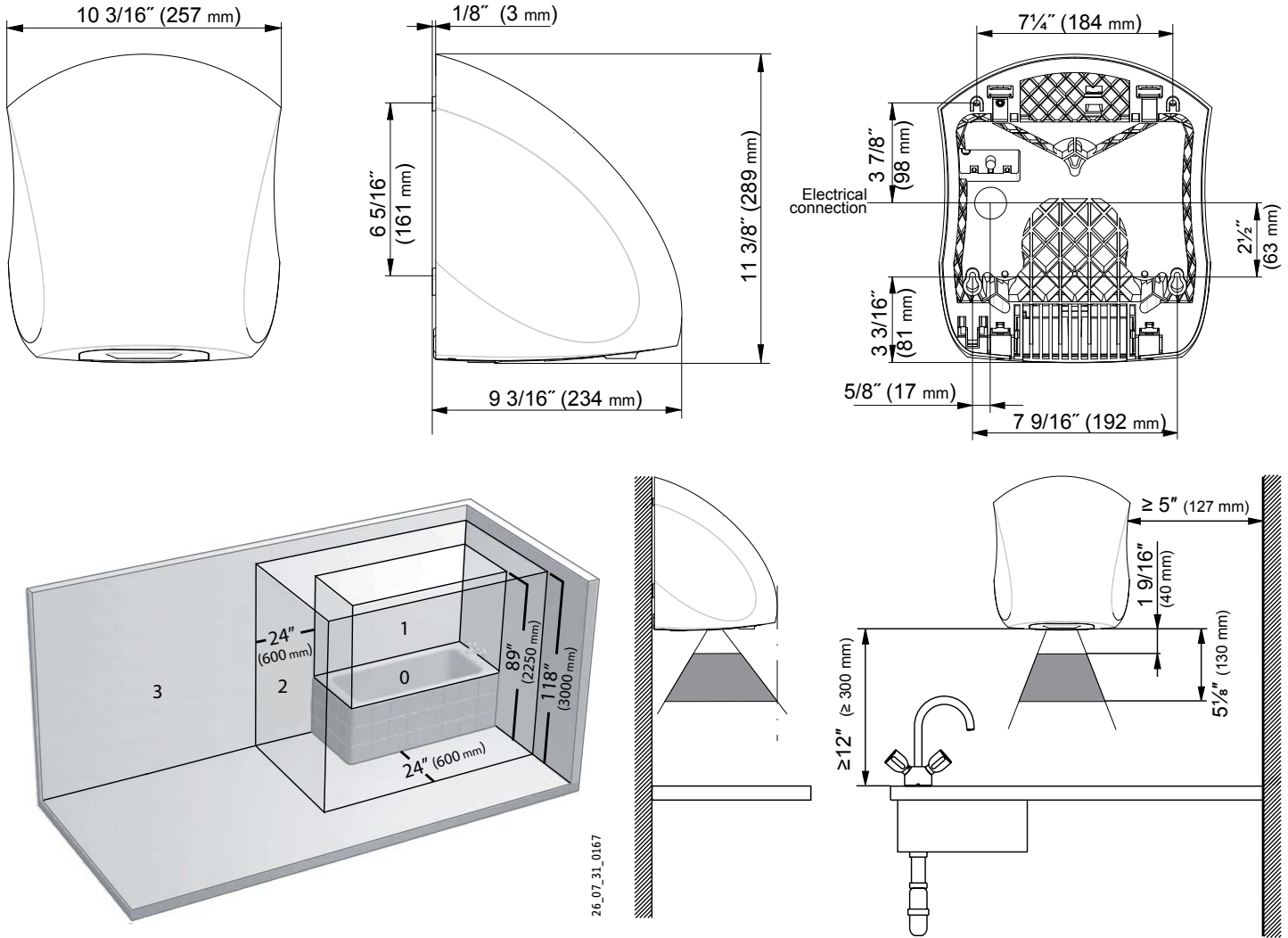


Certified to ANSI/UL Std. 507
Conforms to CAN/CSA C22.2 No. 113



rev. 2014.1 Due to our continuous process of engineering and technological advancement, specifications may change without notice.

Dimensions & clearances



- 0 DANGER ZONE: do not install unit in bathtubs showers, or wash basins.
- 1 DANGER ZONE: do not install directly above bathtubs or showers.
- 2 DANGER ZONE: do not install within 24" of bathtubs or showers
- 3 SAFE AREA: unit must be installed in this area, outside of DANGER ZONES 2, 1 and 0

Warranty Excerpt

Residential & commercial warranty: Stiebel Eltron warrants to the original owner that the Ultronic™ touchless automatic hand dryer will be free from defects in workmanship and materials for a period of five (5) years from the date of purchase. Should the part(s) prove to be defective under normal use during this period, Stiebel Eltron, Inc. will be responsible for replacement of the defective part(s) only. Stiebel Eltron, Inc. is not responsible for labor charges to remove and/or replace the defective part(s), or any incidental or consequential expenses. Should the owner wish to return the hand dryer for repair, the owner must first secure written authorization from Stiebel Eltron, Inc. The owner shall be required to show proof of purchase date, and to pay all transportation costs to return the defective part(s) or hand dryer for repair or replacement. Warranty is void if hand dryer has been installed or used improperly or if design has been altered in any way.