

Ultronic™ Plus & Premium Touchless Automatic Hand Dryers

Engineer/Architect: _____ **Date:** _____

Job Name/Customer: _____ **Phone:** _____

Location: _____ **Date Required:** _____

Contractor: _____ **Phone:** _____

Model # Ultronic™	Item No.	Quantity	kW	Voltage	Amperage
-------------------	----------	----------	----	---------	----------

Description

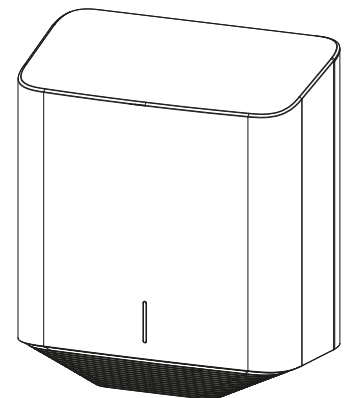
The Ultronic™ touchless automatic hand dryer is a high-speed hand dryer. Ultronic™ series hand dryers are equipped with an infrared sensor switch. This sensor will activate the unit when hands are placed underneath it. Remarkably quiet for a high-speed hand dryer at only 76 dB(A). Quiet Mode further reduces operating noise to 68 dB(A). Features HEPA filter plus UV light and ion generator for air purification. Housing is polycarbonate in Alpine White (Plus) or stainless steel (Premium).

Specifications

Hand Dryer Model	Ultronic™ -1 Plus	Ultronic™ -1 Premium	Ultronic™ -2 Plus	Ultronic™ -2 Premium
Item number	205634	205636	205635	205637
ELECTRICAL DATA				
Phase - 60/50 Hz	single	single	single	single
Voltage	120 v	120 v	240 v or 208 v	240 v or 208 v
Wattage	820 w	820 w	750 w	640 w
Amperage	6.8 A	6.8 A	3.5 A	3.5 A
Required circuit breaker size¹	15 A	15 A	15 A	15 A
Required wire size²	16 AWG	16 AWG	18 AWG	18 AWG
DIMENSIONS				
Height	12 ³ / ₁₆ " (309 mm)	12 ³ / ₁₆ " (309 mm)	12 ³ / ₁₆ " (309 mm)	12 ³ / ₁₆ " (309 mm)
Width	10 ¹¹ / ₁₆ " (272 mm)	10 ¹¹ / ₁₆ " (272 mm)	10 ¹¹ / ₁₆ " (272 mm)	10 ¹¹ / ₁₆ " (272 mm)
Depth	5 ³ / ₁₆ " (132 mm)	5 ³ / ₁₆ " (132 mm)	5 ³ / ₁₆ " (132 mm)	5 ³ / ₁₆ " (132 mm)
WEIGHT				
Weight	6.2 lb (2.8 kg)	8.8 lb (4.0 kg)	6.2 lb (2.8 kg)	8.8 lb (4.0 kg)
CONSTRUCTION				
Color	Alpine White	Stainless Steel	Alpine White	Stainless Steel
Housing	Polycarbonate	Stainless Steel	Polycarbonate	Stainless Steel
Degree of protection (IP)	IP X3	IP X3	IP X3	IP X3
OTHER				
Sound level	76 dB(a)	76 dB(a)	76 dB(a)	76 dB(a)
Air speed	215 mph (96 m/s)	215 mph (96 m/s)	215 mph (96 m/s)	215 mph (96 m/s)
Air volume	49.5 CFM	49.5 CFM	49.5 CFM	49.5 CFM
Drying time	10-12 seconds	10-12 seconds	10-12 seconds	10-12 seconds

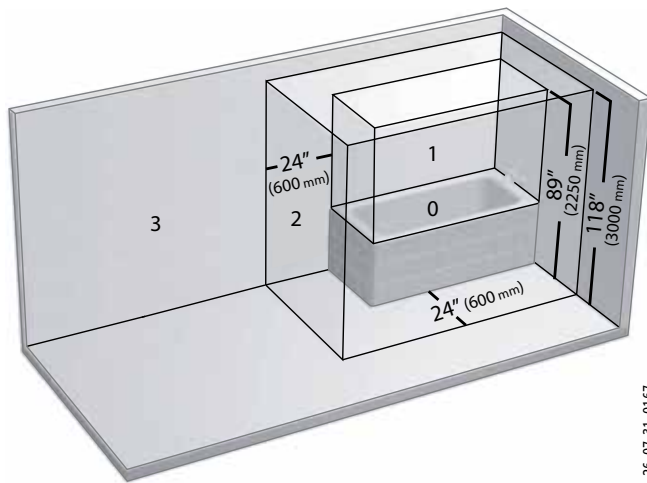
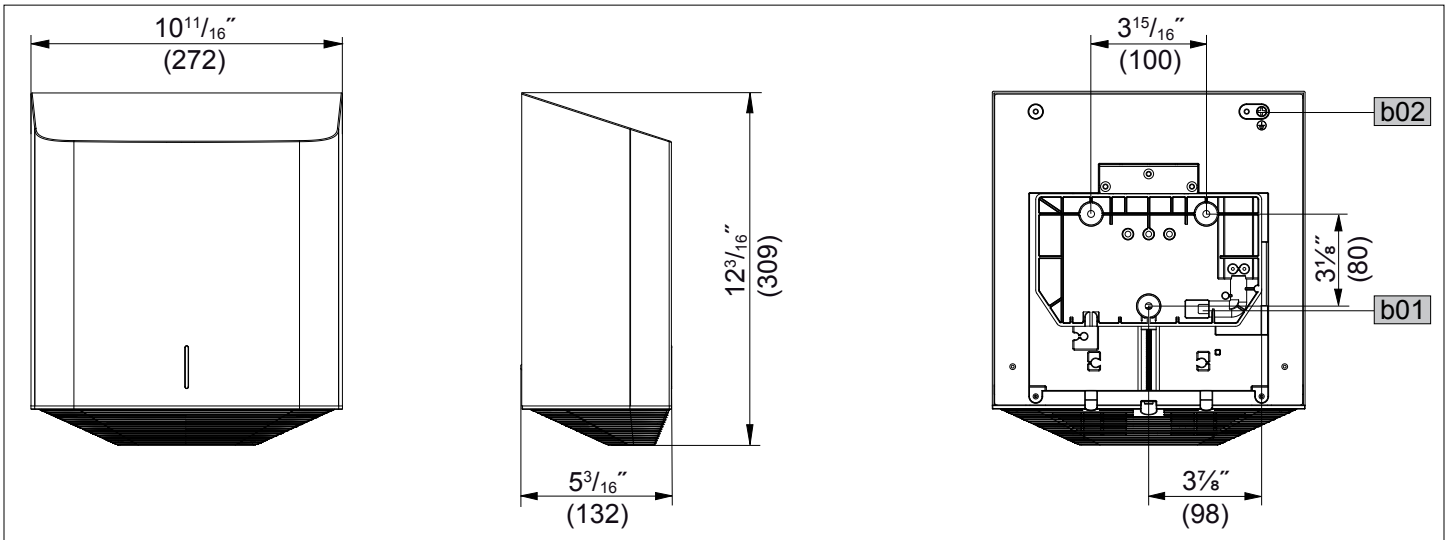


Conforms to UL Std. 50
Certified to CAN/CSA C22.2 No. 113



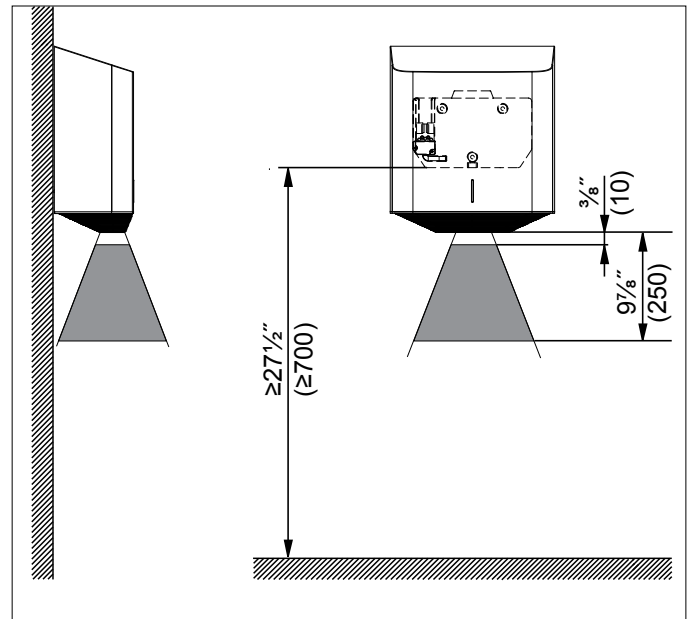
rev. 9.2024 Due to our continuous process of engineering and technological advancement, specifications may change without notice.

Dimensions & clearances



26_07_31_0167

- 0 DANGER ZONE: do not install unit in bathtubs showers, or wash basins.
- 1 DANGER ZONE: do not install directly above bathtubs or showers.
- 2 DANGER ZONE: do not install within 24" of bathtubs or showers
- 3 SAFE AREA: unit must be installed in this area, outside of DANGER ZONES 2, 1 and 0



Warranty Excerpt

Residential & commercial warranty: Stiebel Eltron warrants to the original owner that the Ultronic™ touchless automatic hand dryer will be free from defects in workmanship and materials for a period of five (5) years from the date of purchase. Should the part(s) prove to be defective under normal use during this period, Stiebel Eltron, Inc. will be responsible for replacement of the defective part(s) only. Stiebel Eltron, Inc. is not responsible for labor charges to remove and/or replace the defective part(s), or any incidental or consequential expenses. Should the owner wish to return the hand dryer for repair, the owner must first secure written authorization from Stiebel Eltron, Inc. The owner shall be required to show proof of purchase date, and to pay all transportation costs to return the defective part(s) or hand dryer for repair or replacement. Warranty is void if hand dryer has been installed or used improperly or if design has been altered in any way.