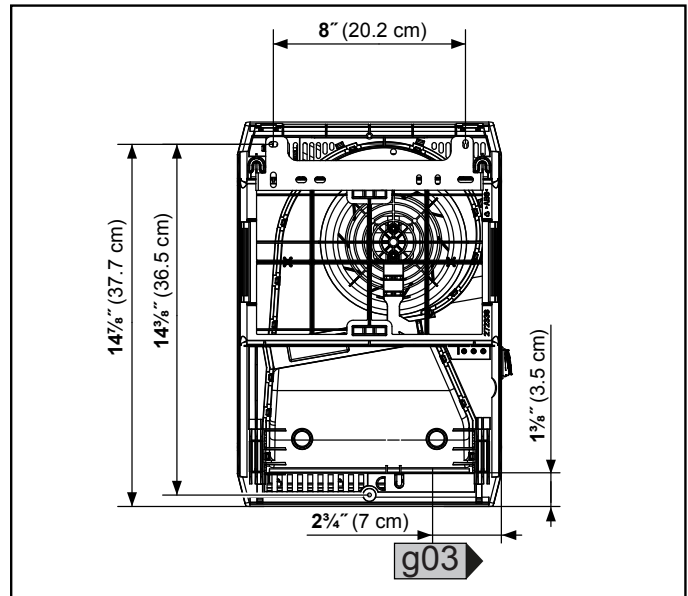
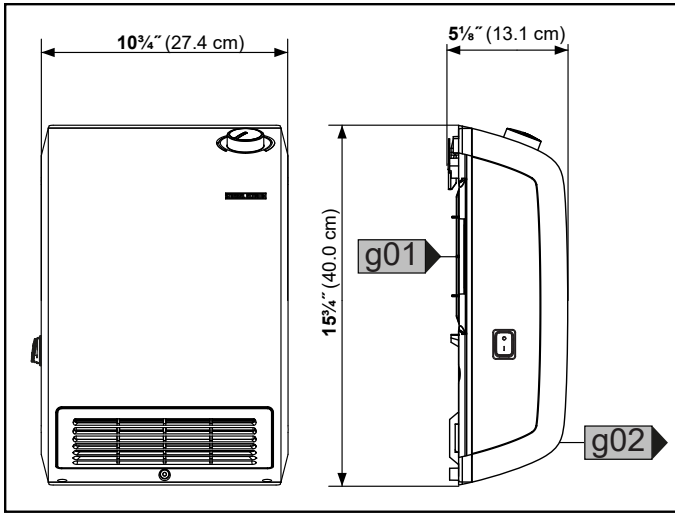


TECHNICAL SERVICE BULLETIN

Cord Lengths & Hard-Wire Knockout Positions for Room Heaters

CK 150-1 Trend



CK 150-1 Trend / CK 200-2 Trend

g01 Air intake

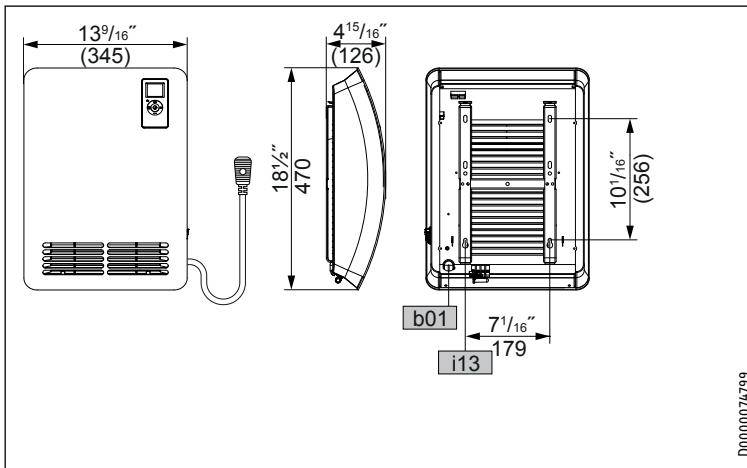
g02 Air discharge

g03 Strain relief clamp / cable entry

TECHNICAL SERVICE BULLETIN

120 V heater model	Power cord length
CK 150-1 Plus/Premium	39" (1.0 m)

CK 150-1 Plus, CK 150-1 Premium

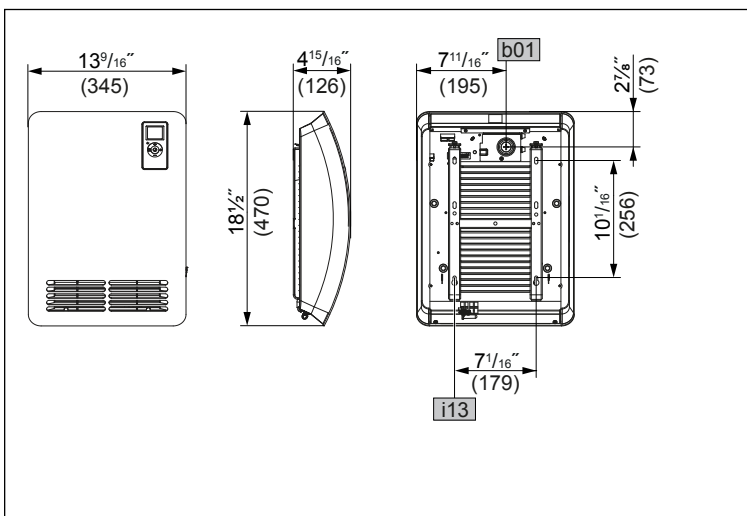


CK Plus/Premium

b01 Power cord entry, 120 V models

i13 Wall mounting bracket

CK 200-2 Plus, CK 200-2 Premium



CK Plus/Premium

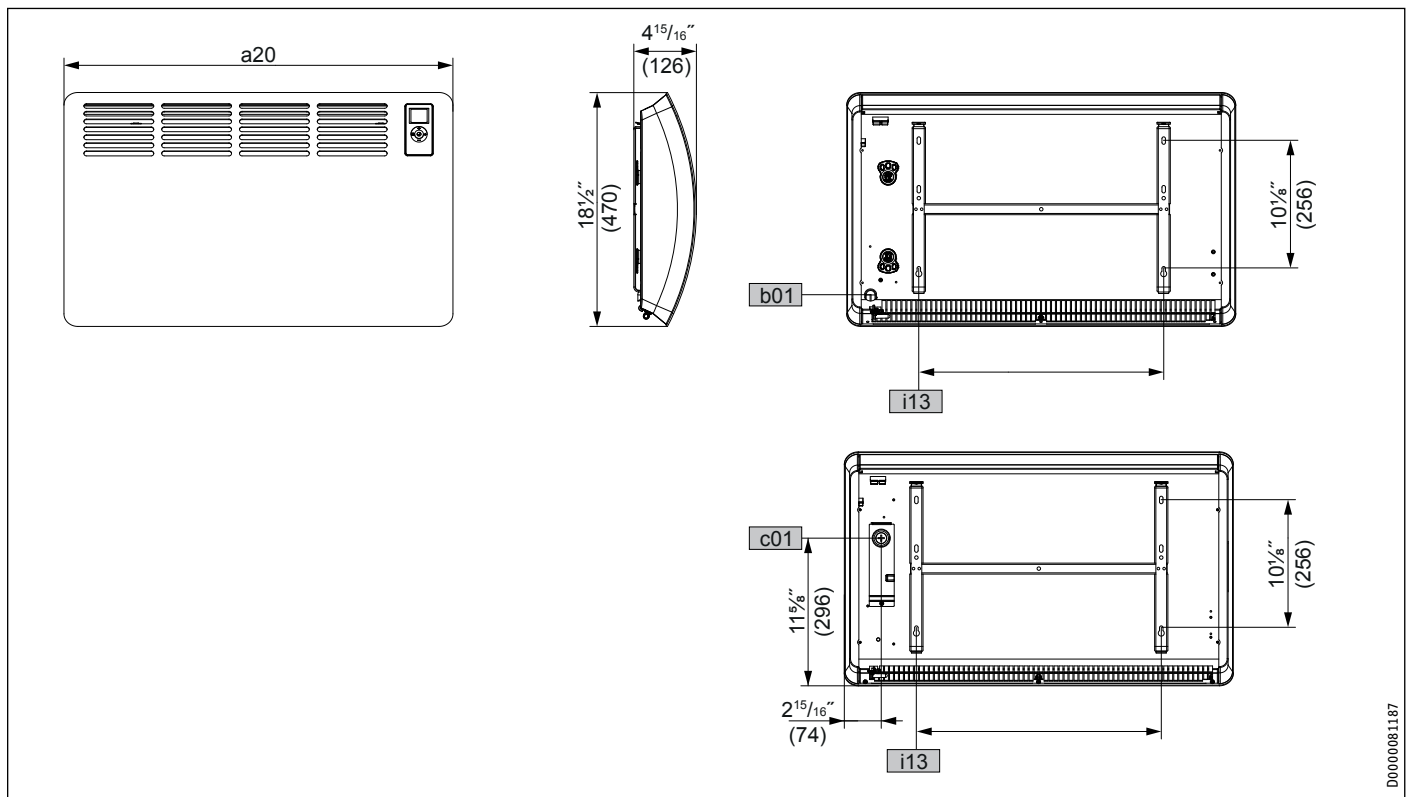
b01 Position of junction box knockout, hard-wired 208-240 V models

i13 Wall mounting bracket

TECHNICAL SERVICE BULLETIN

120 V heater model	Power cord length
CON 100-1, 150-1 Premium	59" (1.5 m)

CON Premium

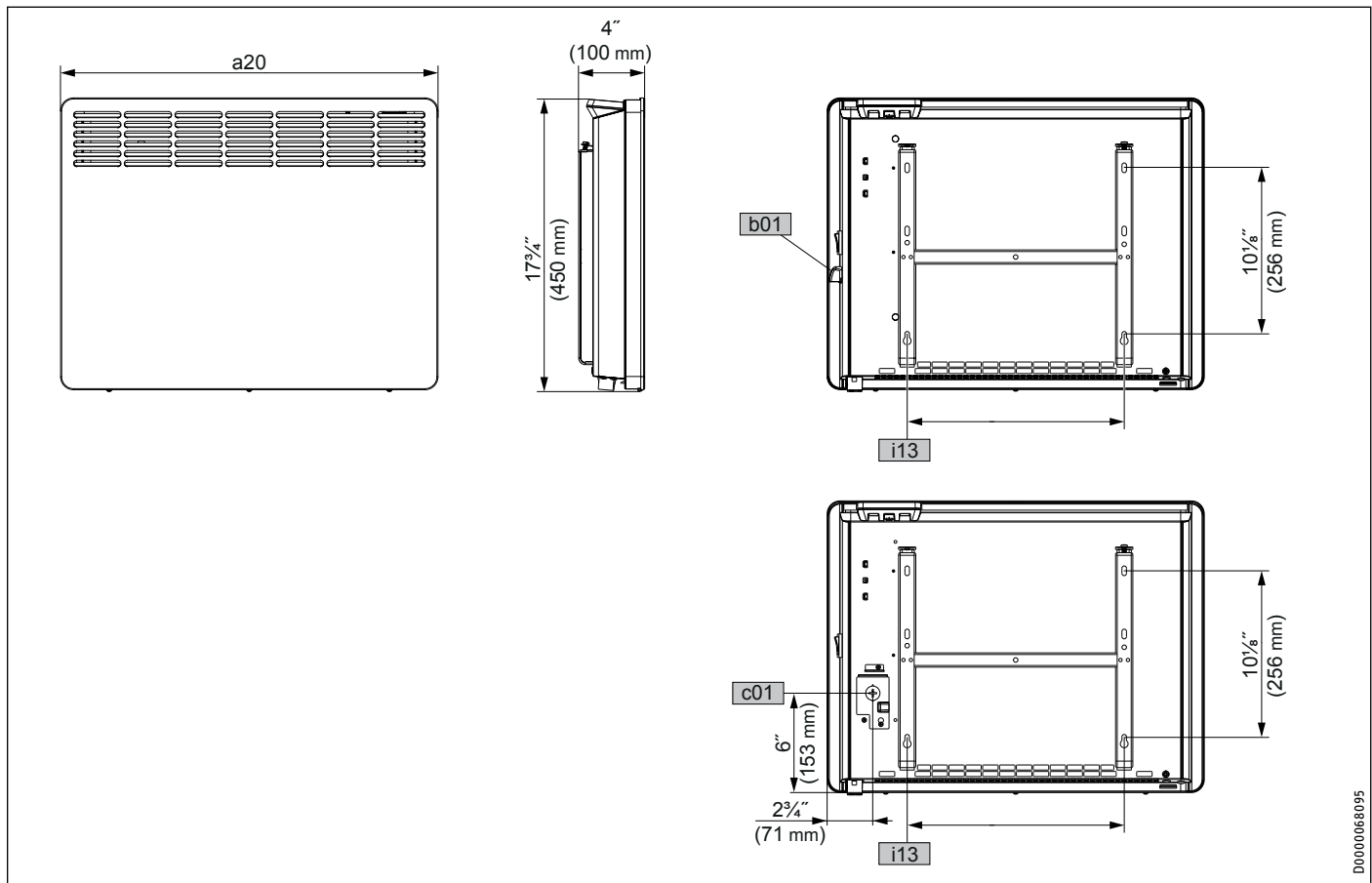


		CON 100-1 Premium CON 100-2 Premium	CON 150-1 Premium CON 150-2 Premium	CON 200-2 Premium	CON 300-2 Premium	
a20	Heater	Width	$18\frac{1}{2}"$ (470 mm)	$24\frac{3}{8}"$ (625 mm)	$30\frac{3}{4}"$ (780 mm)	$42\frac{7}{8}"$ (1090 mm)
b01	Power cord entry, 120 V models					
c01	Position of junction box knockout, hard-wired 208-240 V models					
i13	Wall mounting bracket	Horizontal hole spacing	7" (179 mm)	$13\frac{1}{4}"$ (335 mm)	$19\frac{3}{8}"$ (491 mm)	$31\frac{5}{8}"$ (803 mm)

TECHNICAL SERVICE BULLETIN

120 V heater model	Power cord length
CNS 100-1 Trend, CNS 150-1 Trend/Plus	71" (1.8 m)

CNS Trend/Plus



		CNS 100-1 Trend CNS 100-1 Plus CNS 100-2 Plus	CNS 150-1 Plus CNS 150-2 Trend CNS 150-2 Plus	CNS 200-2 Plus	CNS 300-2 Plus
a_{20}	Heater Width	$16\frac{3}{4}"$ (426 mm)	$22\frac{15}{16}"$ (582 mm)	$29\frac{1}{16}"$ (738 mm)	$41\frac{5}{16}"$ (1050 mm)
b_{01}	Power cord entry, 120 V models				
c_{01}	Position of junction box knockout, hard-wired 208-240 V models				
i_{13}	Wall mounting bracket Horizontal hole spacing	$7\frac{1}{16}"$ (179 mm)	$13\frac{3}{16}"$ (335 mm)	$19\frac{5}{16}"$ (491 mm)	$31\frac{5}{8}"$ (803 mm)